



US00D790249S

(12) **United States Design Patent**
Park

(10) **Patent No.:** **US D790,249 S**

(45) **Date of Patent:** **** Jun. 27, 2017**

- (54) **SHOWER BOTTLE HOLDER**
- (71) Applicant: **Sysco Guest Supply, LLC**, Monmouth Junction, NJ (US)
- (72) Inventor: **Joungsu Park**, South Brunswick, NJ (US)
- (73) Assignee: **Sysco Guest Supply, LLC**, Monmouth Junction, NJ (US)

D279,640 S *	7/1985	Walbeck	D6/536
D294,442 S *	3/1988	Bordian	D6/528
4,871,074 A *	10/1989	Bryson	A45D 20/12 211/26
D307,373 S *	4/1990	Bearak	D7/701
5,080,240 A *	1/1992	Williams	B25H 3/04 211/13.1
D323,766 S *	2/1992	Robbins	D6/553
D329,343 S *	9/1992	Oldorf	221/92
D382,432 S *	8/1997	Perelli	D6/555
5,692,615 A *	12/1997	Fischer	A61B 90/90 206/440
5,704,495 A *	1/1998	Bale	A61B 50/20 211/71.01
D396,768 S *	8/1998	Drake	D24/210
D403,869 S *	1/1999	Harmon	D6/320

- (**) Term: **15 Years**
- (21) Appl. No.: **29/554,412**

- (22) Filed: **Feb. 11, 2016**
- (51) **LOC (10) Cl.** **23-02**
- (52) **U.S. Cl.**
USPC **D6/540**
- (58) **Field of Classification Search**
USPC D6/512, 524, 528, 534, 540; 206/209.1,
206/362.1, 362.2, 362.3; 211/13.1, 70.6,
211/87.01, 89.01, 66, 86.01; D9/749;
248/206.5, 311.2, 683; 220/23.4, 254,
220/811
CPC A45D 27/29; B26B 21/00; B26B 21/06;
B26B 29/00; A47G 23/0225; A47G
23/0266; H01G 7/0252; B60N 3/103;
B25H 1/0071; F16M 13/022
See application file for complete search history.

(56) **References Cited**

U.S. PATENT DOCUMENTS

D53,853 S *	9/1919	Kimmel	211/74
D162,122 S *	2/1951	Broeren	211/50
D162,224 S *	2/1951	Ricard	D6/529
D190,407 S *	5/1961	Tauscher	D19/85
D201,984 S *	8/1965	Harvey	D6/569
D252,861 S *	9/1979	Potts	D10/94
D268,338 S *	3/1983	Palmer	D11/183
D268,531 S *	4/1983	Leppard	D19/34.2

(Continued)

Primary Examiner — David Muller

Assistant Examiner — Nathan Johnston

(74) *Attorney, Agent, or Firm* — Eversheds Sutherland (US) LLP

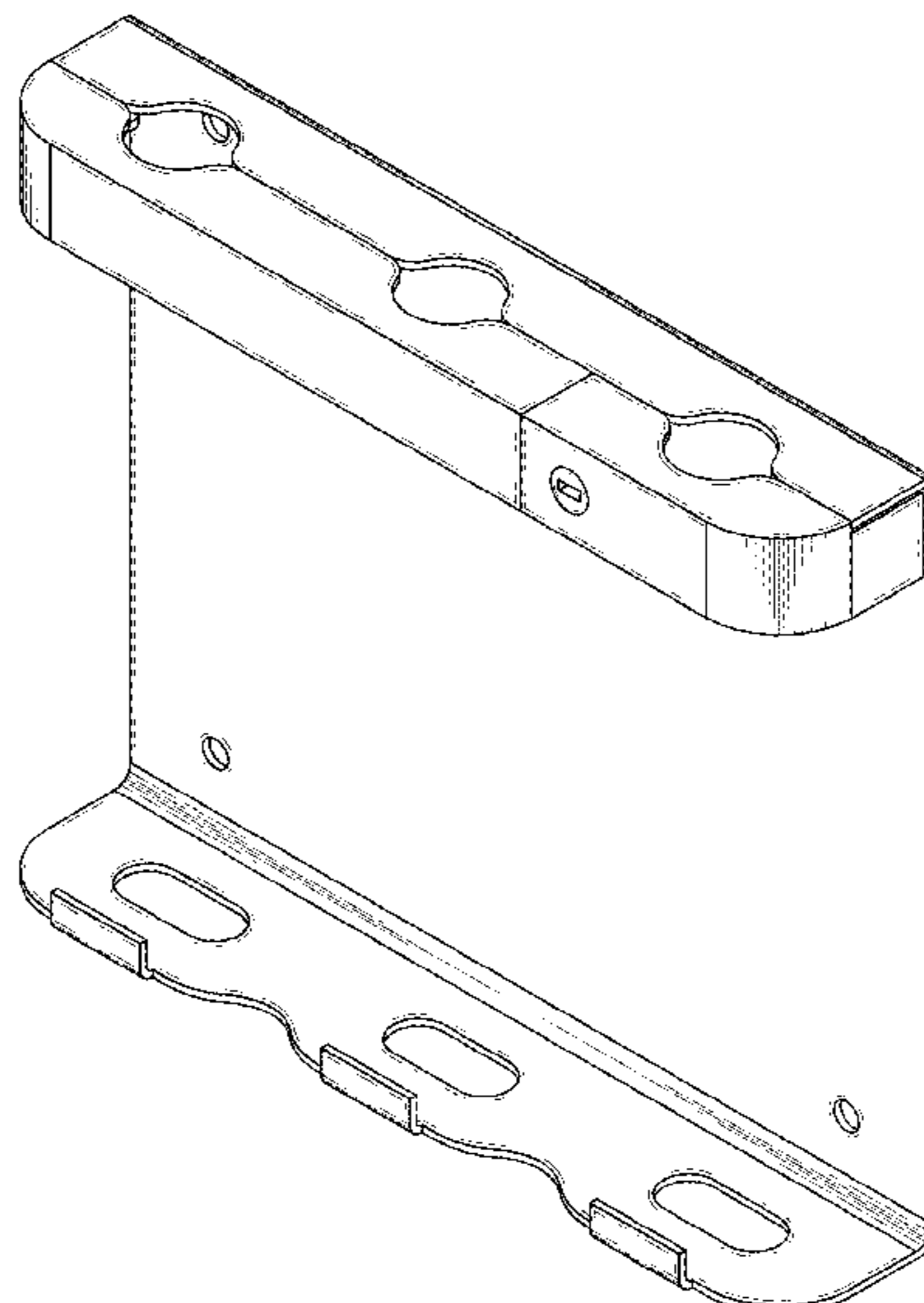
(57) **CLAIM**

The ornamental design for a shower bottle holder, as shown and described.

DESCRIPTION

FIG. 1 is a perspective view of a shower bottle holder showing my new design;
 FIG. 2 is a front elevation view thereof;
 FIG. 3 is a rear elevation view thereof;
 FIG. 4 is a left side elevation view thereof;
 FIG. 5 is a right side elevation view thereof;
 FIG. 6 is a top plan view thereof;
 FIG. 7 is a bottom plan view thereof;
 FIG. 8 is a perspective view thereof;
 FIG. 9 is a cross-sectional bottom plan view thereof; and,
 FIG. 10 is a perspective view thereof.
 The broken lines in the figures illustrate the portions of the design that form no part of the claimed design.

1 Claim, 6 Drawing Sheets



(56)

References Cited

U.S. PATENT DOCUMENTS

5,890,605 A * 4/1999 Percudani A47B 67/00
211/119.009
D461,670 S * 8/2002 Hill D6/528
D475,564 S * 6/2003 McCurrach D6/534
6,877,619 B1 * 4/2005 Han A47K 1/09
211/65
7,017,759 B1 * 3/2006 Friend A47B 73/00
211/75
D568,610 S * 5/2008 McQueen D4/108
D604,975 S * 12/2009 Racanelli D6/534
D608,577 S * 1/2010 Racanelli D6/534
D625,132 S * 10/2010 Schmidt D6/545
D626,366 S * 11/2010 Schmidt D6/545
D632,110 S * 2/2011 Cooper D6/526
D639,097 S * 6/2011 Hayes D6/567
D670,116 S * 11/2012 Amato D6/528
D728,839 S * 5/2015 McGowan D26/51
2001/0003332 A1 * 6/2001 Ventnor A47K 1/09
211/70.6
2010/0032533 A1 * 2/2010 Chen F16M 11/10
248/205.1

* cited by examiner

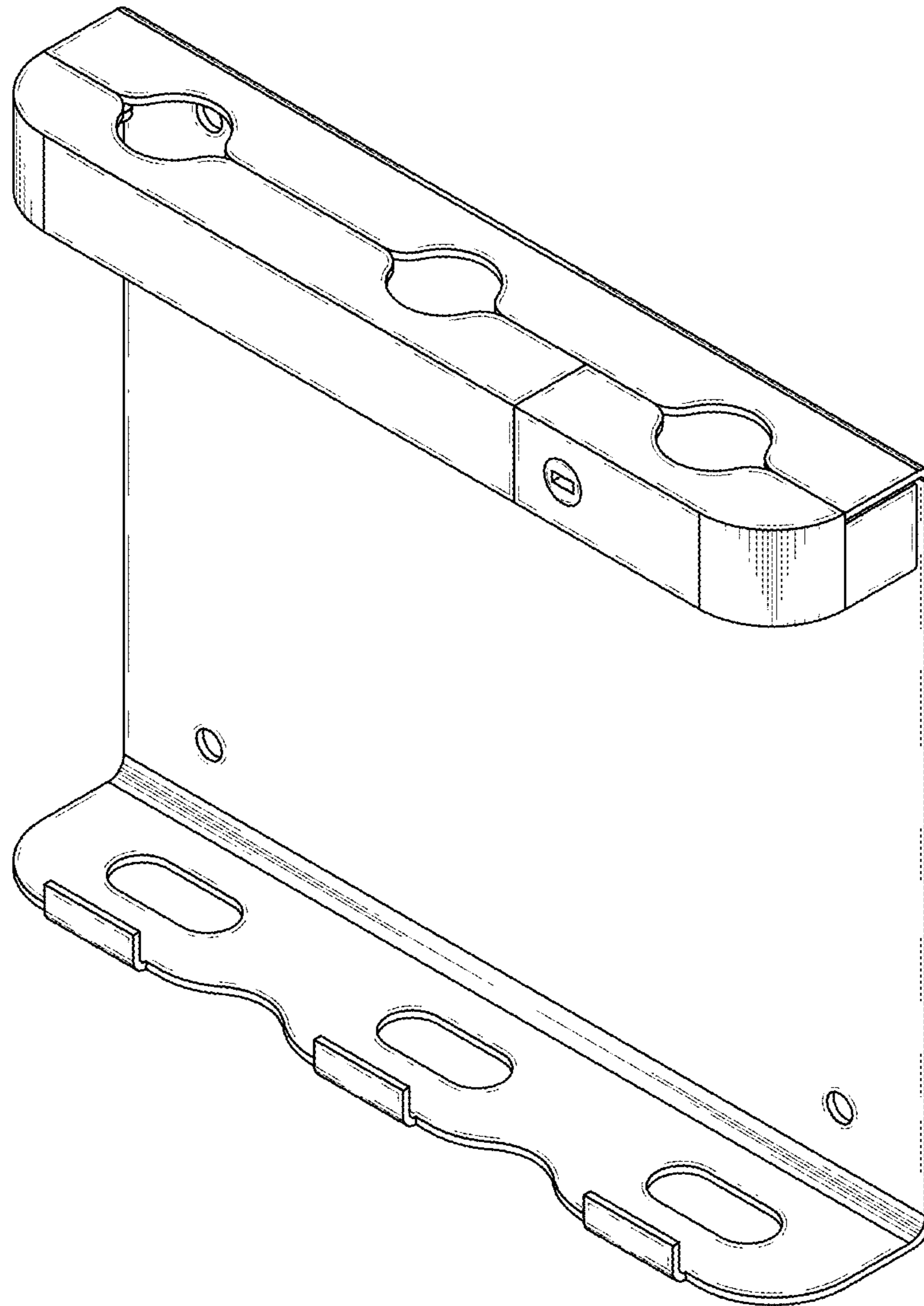


FIG. 1

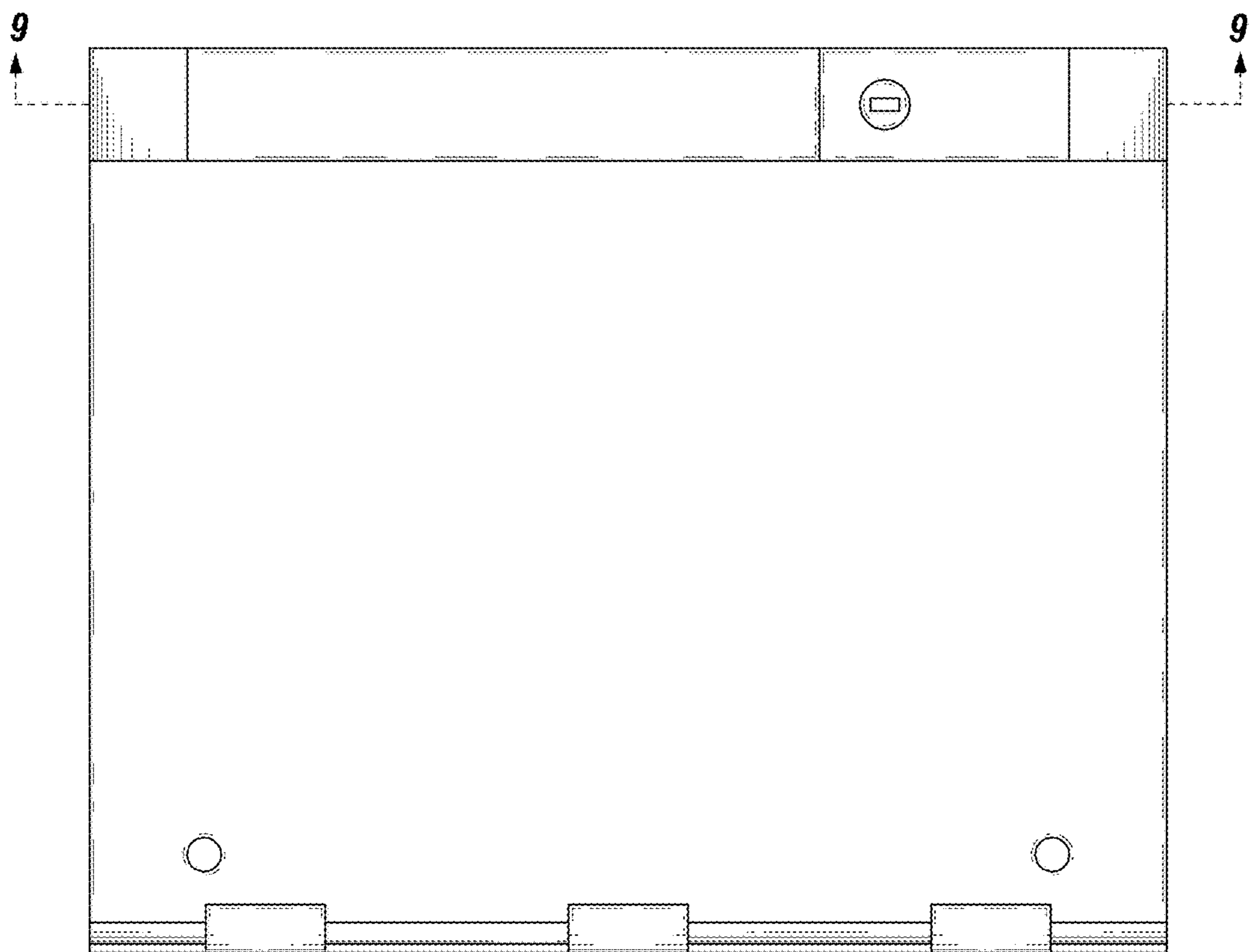


FIG. 2

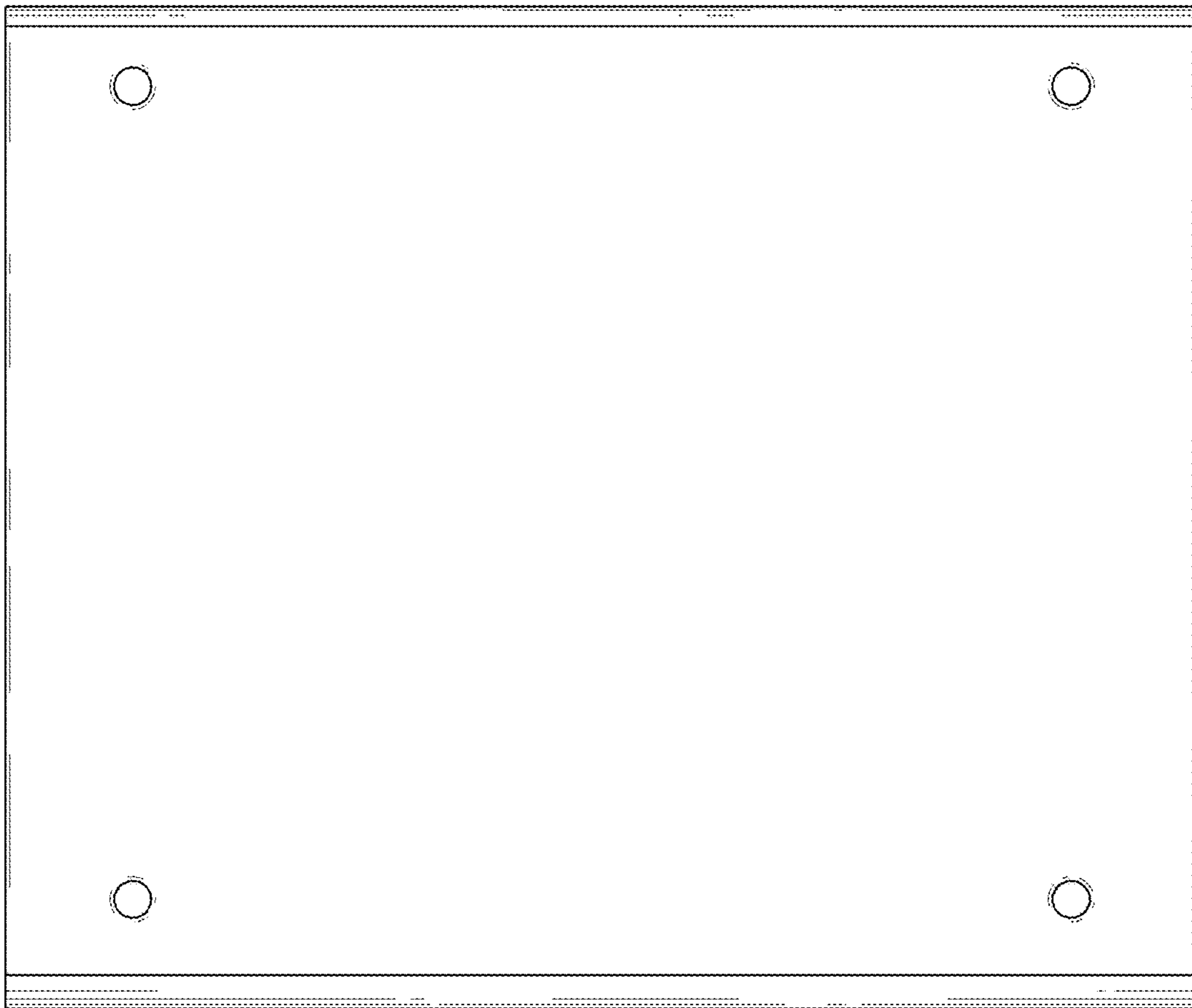


FIG. 3

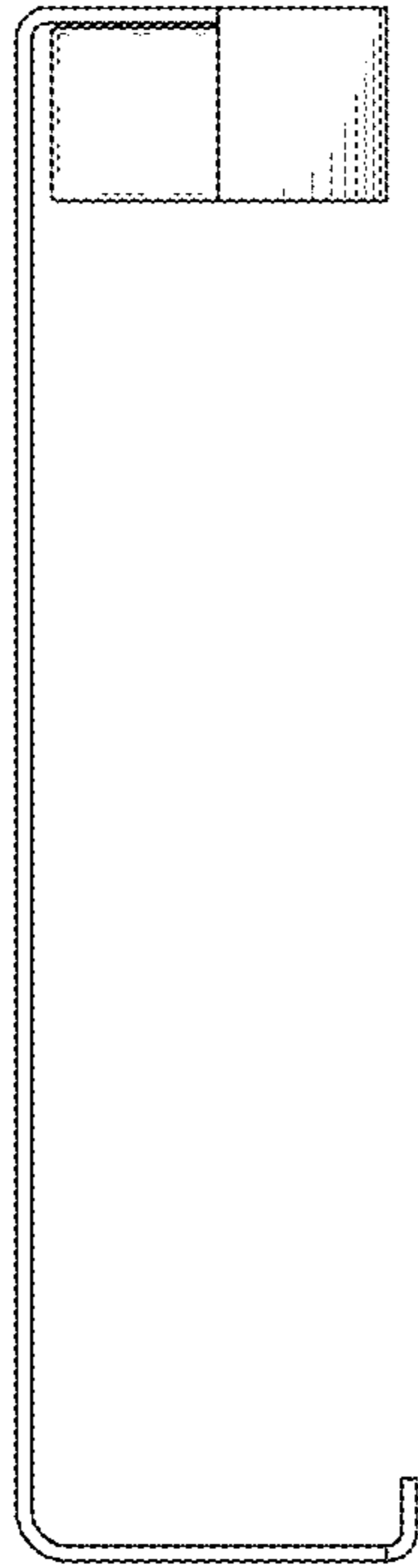


FIG. 4

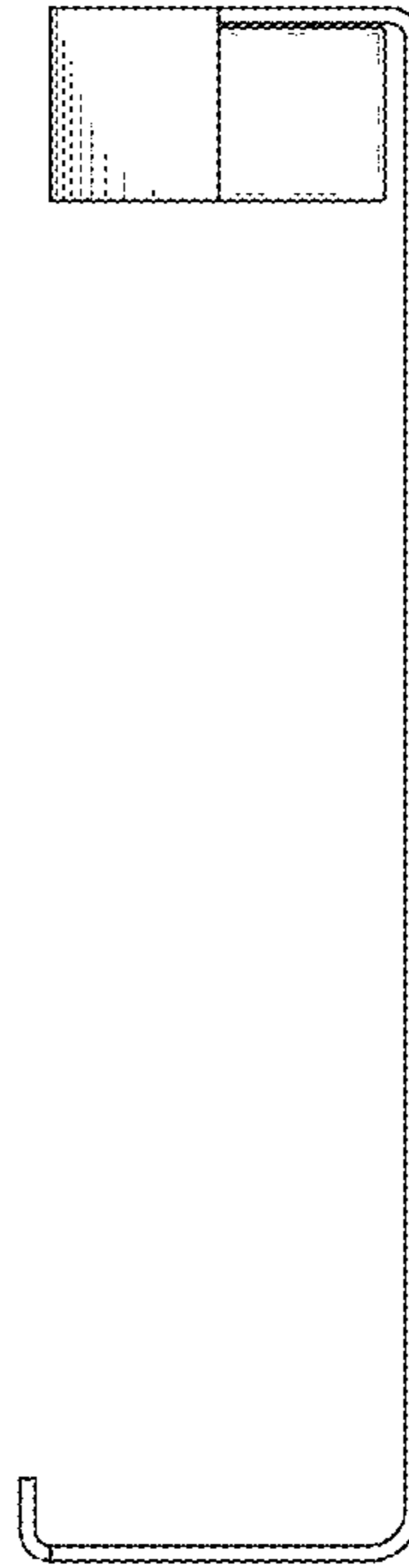


FIG. 5

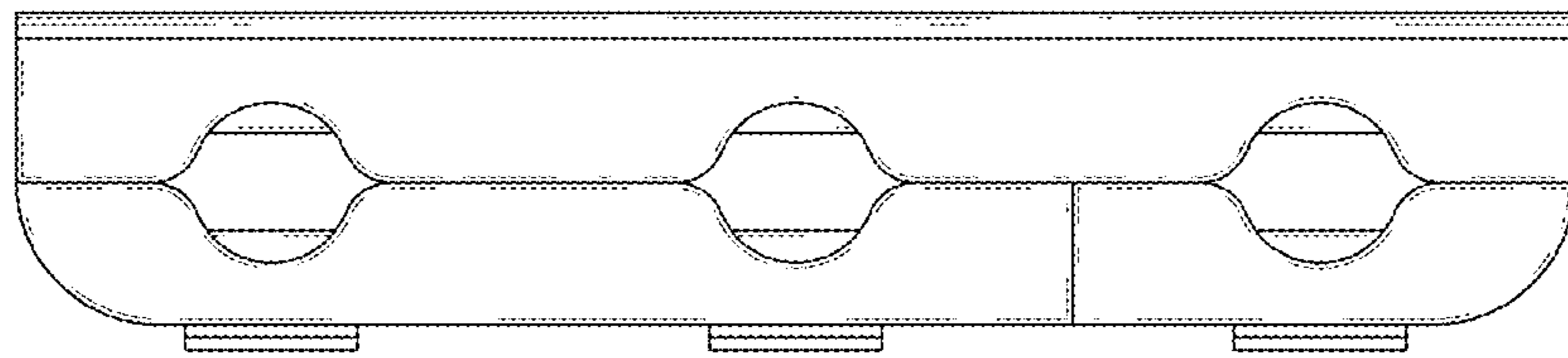


FIG. 6

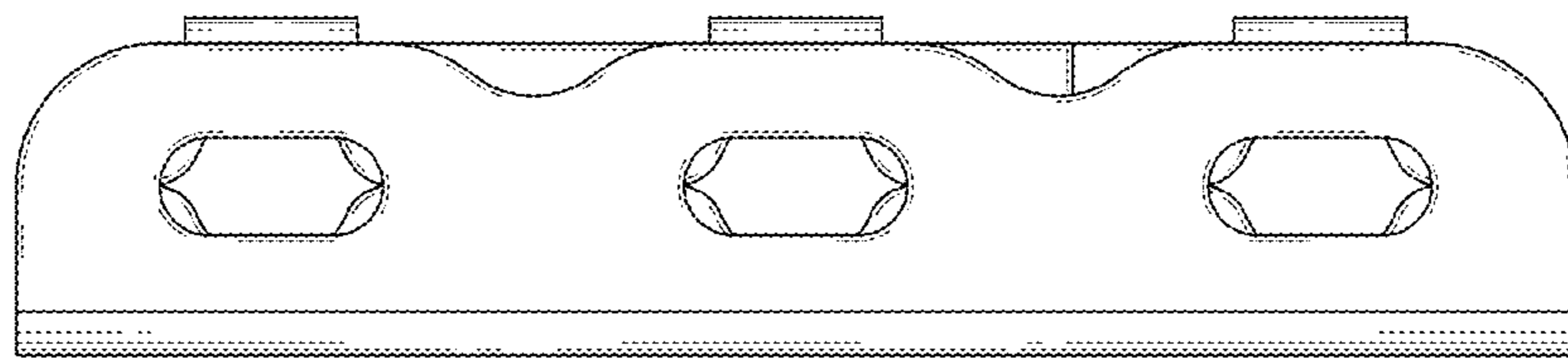


FIG. 7

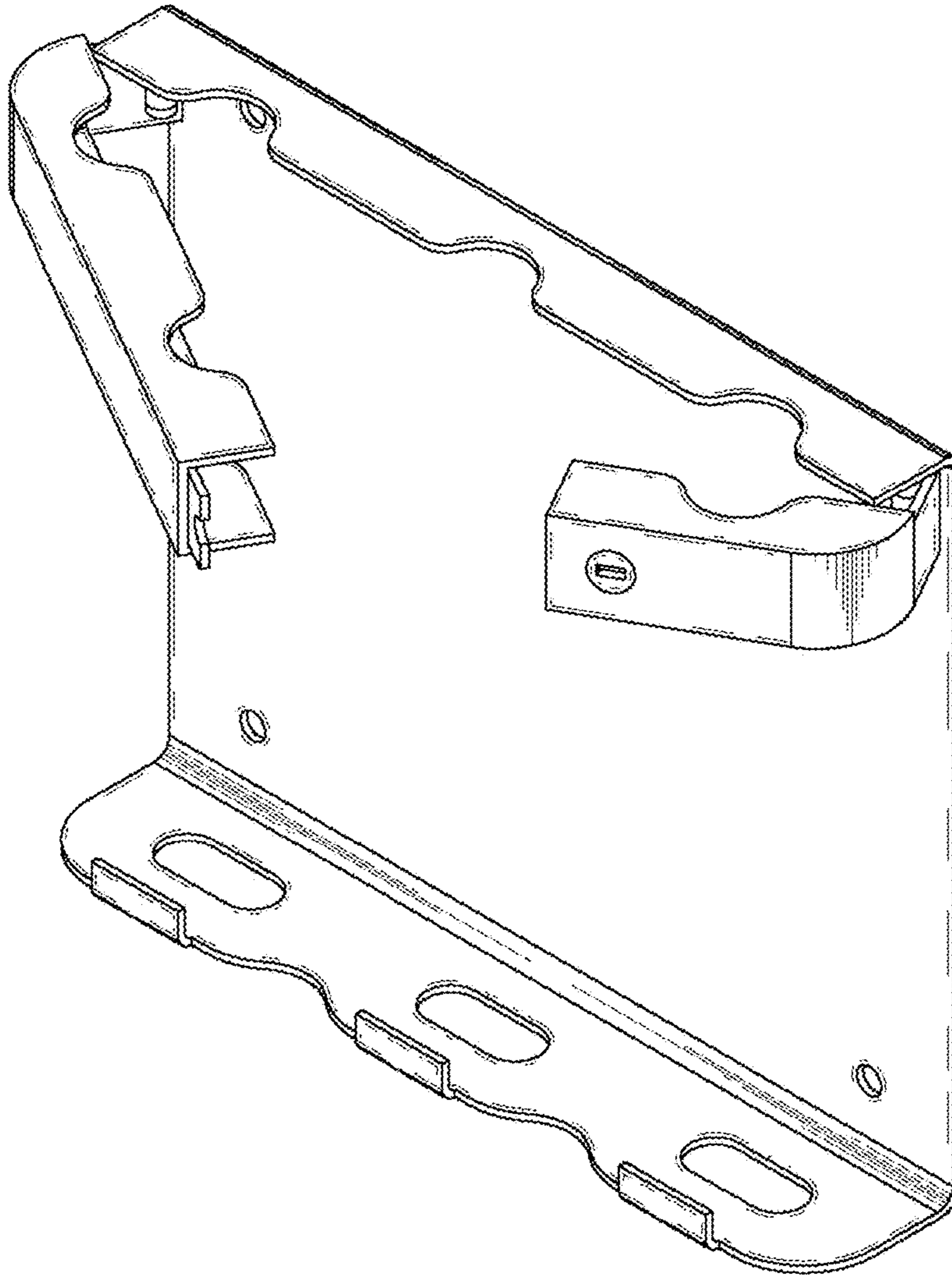


FIG. 8

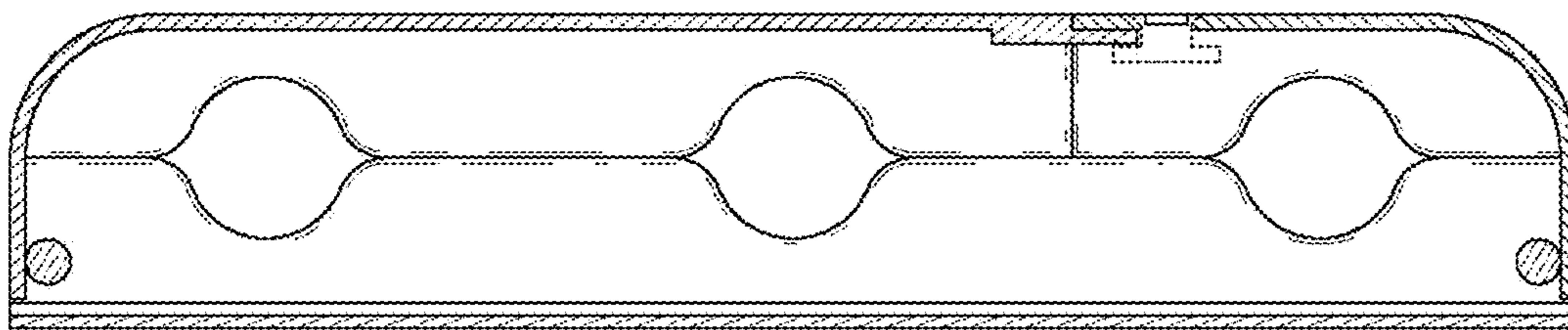


FIG. 9

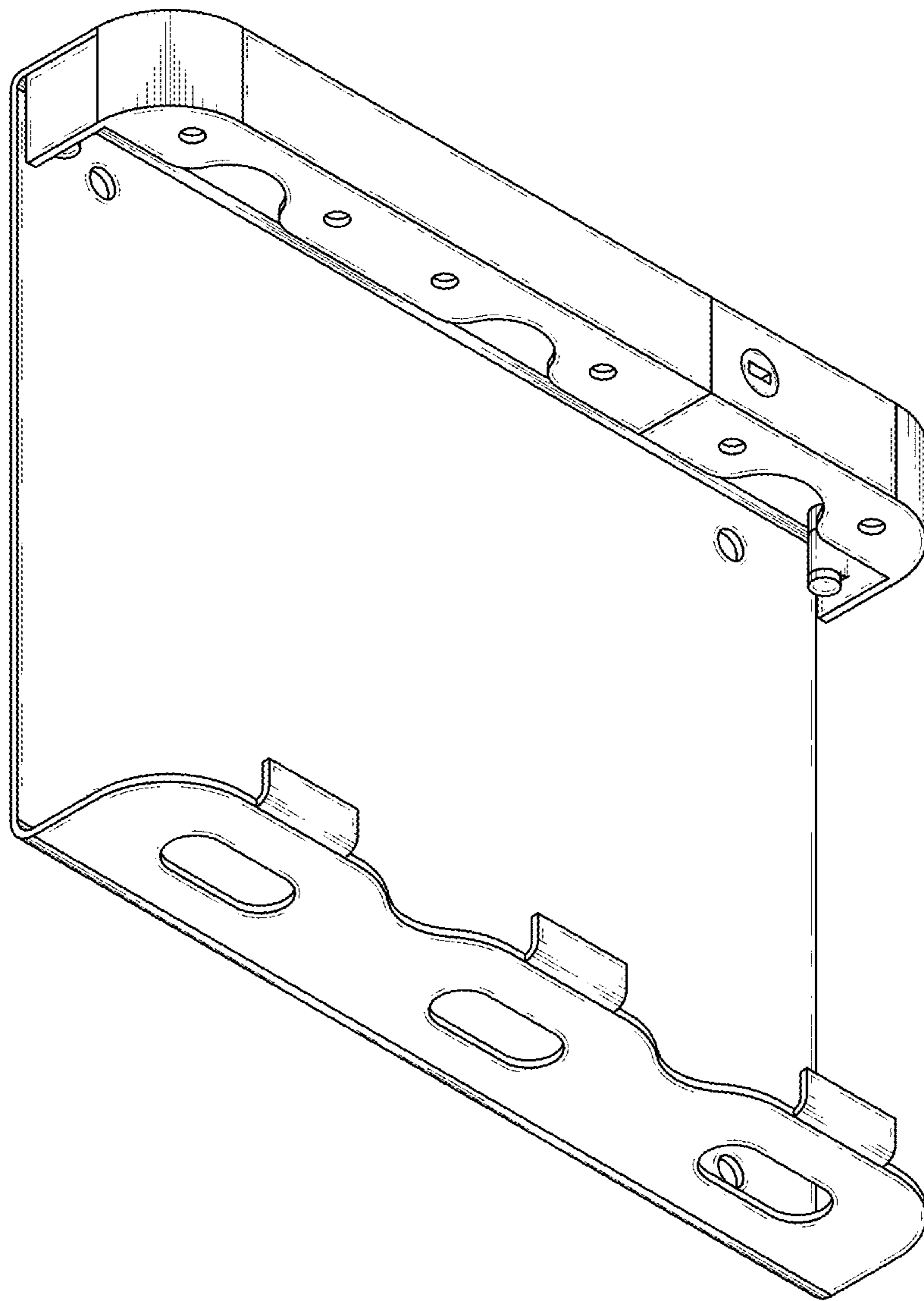


FIG. 10