



US00D790248S

(12) **United States Design Patent** (10) **Patent No.:** **US D790,248 S**
Clark et al. (45) **Date of Patent:** **** Jun. 27, 2017**

(54) **SUPPORT MEMBER**

(71) Applicant: **SOLAR GROUP, INC.**, Taylorsville, MS (US)

(72) Inventors: **Virgil Keith Clark**, Laurel, MS (US); **Jeremy D'Len Dickens**, Laurel, MS (US); **J. Derrick Dry**, Laurel, MS (US); **Brian Lavon Roney**, Laurel, MS (US); **Kenneth Ray Smith**, Laurel, MS (US)

(73) Assignee: **Solar Group, Inc.**, Taylorsville, MS (US)

(**) Term: **15 Years**

(21) Appl. No.: **29/557,584**

(22) Filed: **Mar. 10, 2016**

(51) **LOC (10) Cl.** **06-04**

(52) **U.S. Cl.**
USPC **D6/536**

(58) **Field of Classification Search**
USPC D6/536, 320, 449, 532, 538, 539, 540, D6/547, 553, 580, 574; D7/502, 550.1, D7/554.2, 698, 554.3; D26/72; D9/416
CPC ... A47F 5/08; A47F 7/02; A47B 96/16; A47G 1/12; A47C 9/00
See application file for complete search history.

(56) **References Cited**

U.S. PATENT DOCUMENTS

D253,627 S * 12/1979 Adamson D19/92
D259,905 S * 7/1981 Bell D6/536

D371,644 S * 7/1996 Lillelund D30/119
D546,611 S * 7/2007 Bouroullec D6/574
D667,249 S * 9/2012 London D6/553
D687,294 S * 8/2013 Green D9/416

* cited by examiner

Primary Examiner — Wan Laymon

Assistant Examiner — Mark Booker

(74) *Attorney, Agent, or Firm* — John P. Powers; Grant E. Coffield; Eckert Seamans Cherin & Mellot, LLC

(57) **CLAIM**

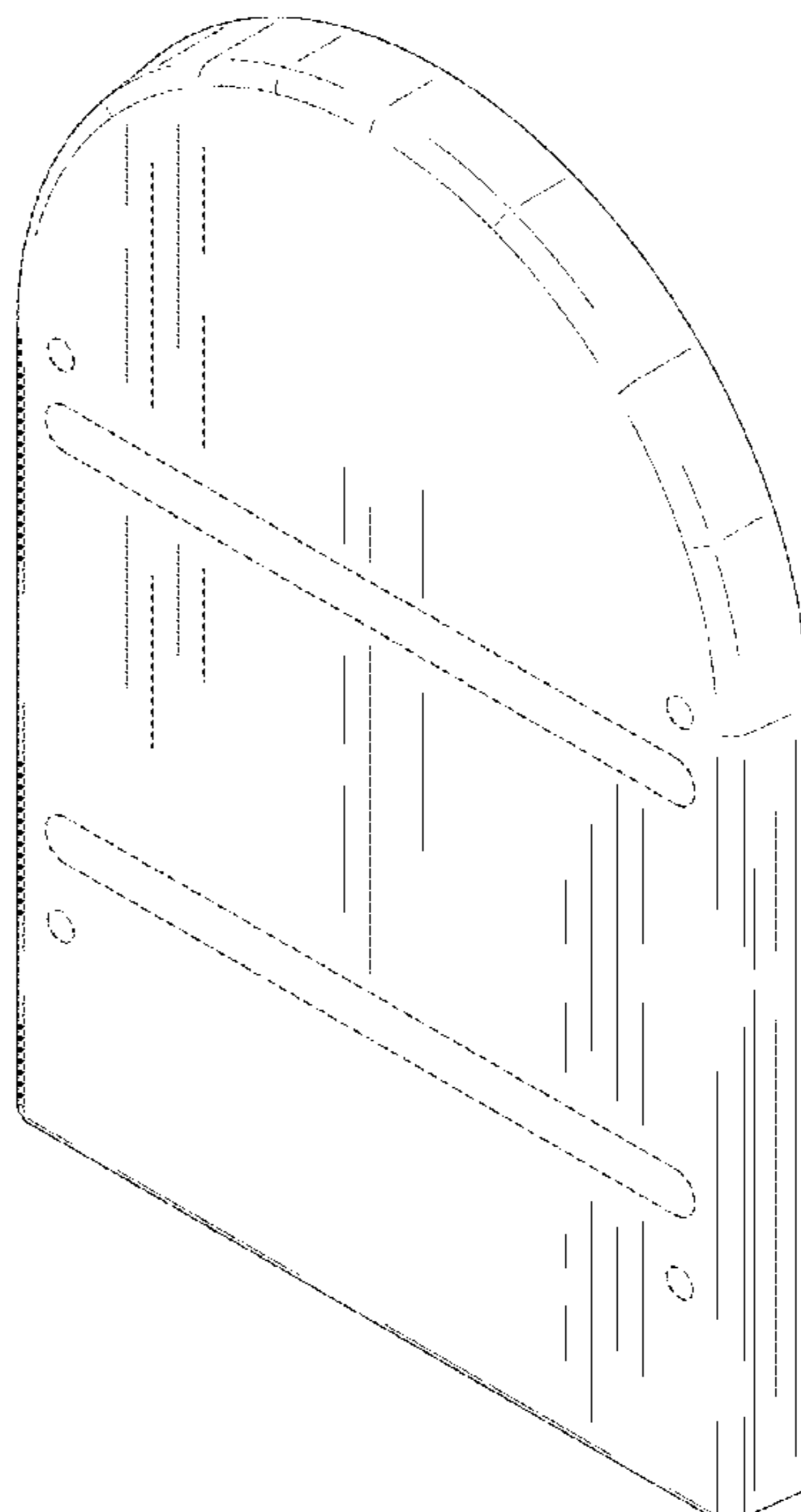
The ornamental design for a support member, as shown and described.

DESCRIPTION

FIG. 1 is a front isometric view of a support member in accordance with an embodiment of the disclosed concept; FIG. 2 is a rear isometric view of the support member of FIG. 1; FIG. 3 is a top plan view of the support member of FIG. 1; FIG. 4 is a bottom plan view of the support member of FIG. 1; FIG. 5 is a left side elevational view of the support member of FIG. 1; FIG. 6 is a right side elevational view of the support member of FIG. 1; FIG. 7 is a front elevational view of the support member of FIG. 1; and, FIG. 8 is a back elevational view of the support member of FIG. 1.

The broken lines shown in the figures represent portions of the support member that form no part of the claimed design.

1 Claim, 6 Drawing Sheets



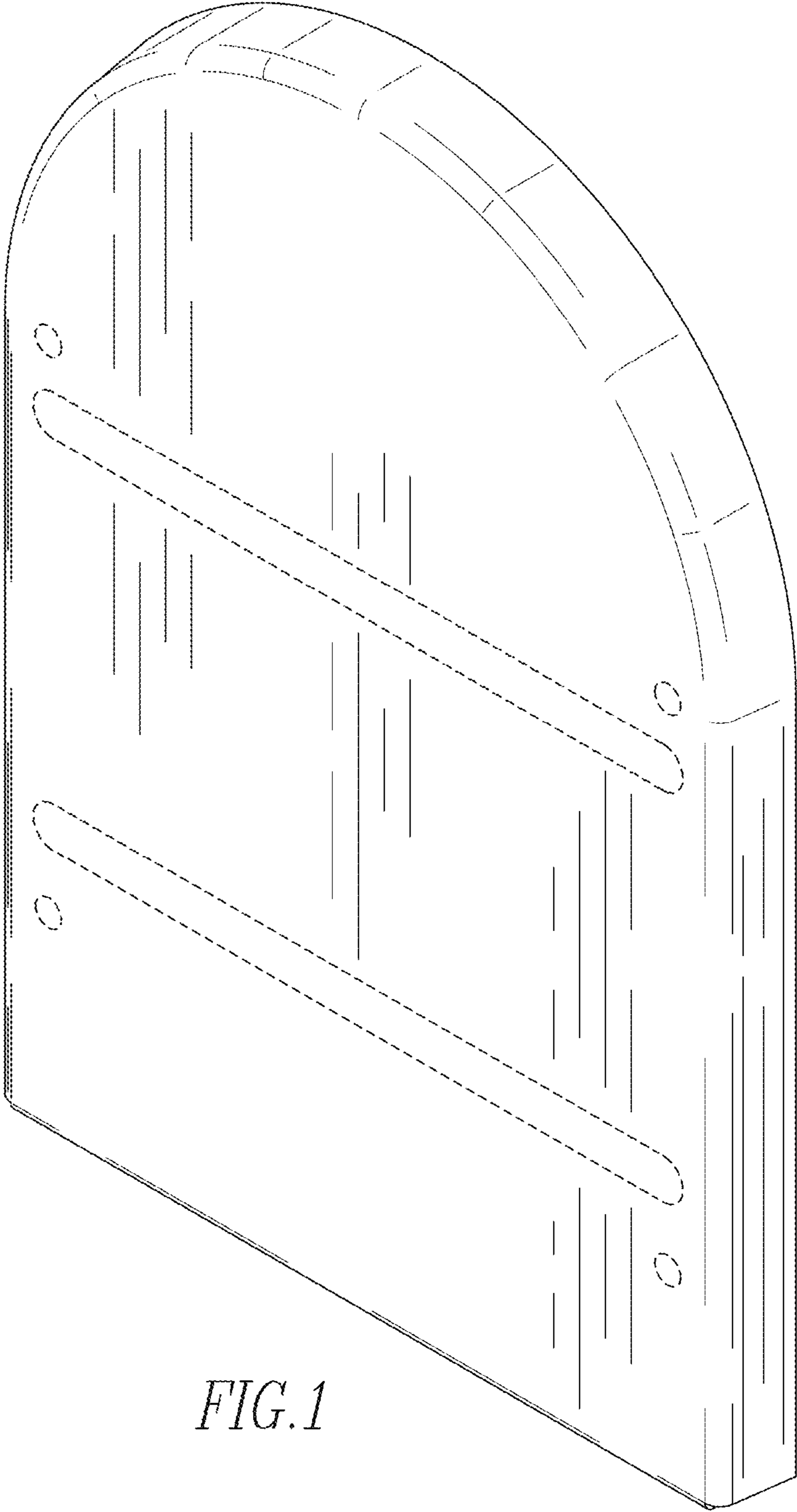


FIG. 1

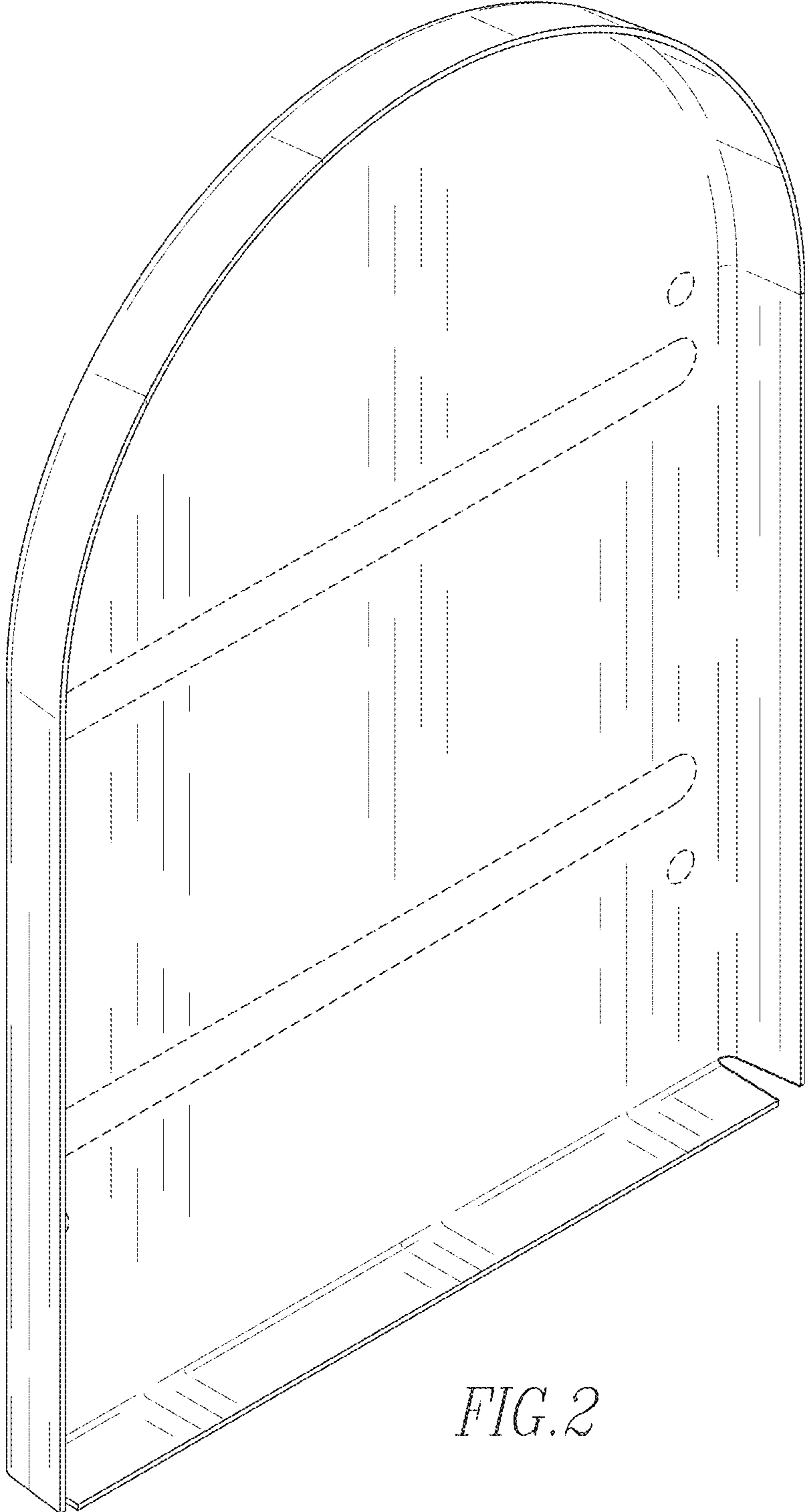


FIG. 2

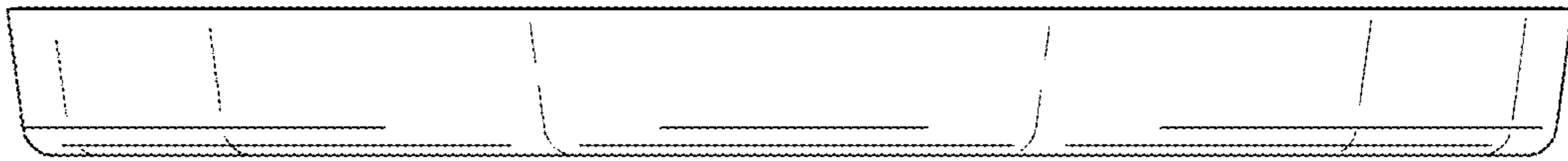


FIG. 3

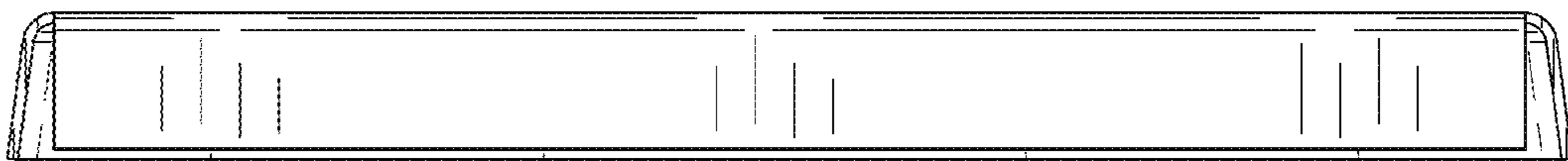


FIG. 4

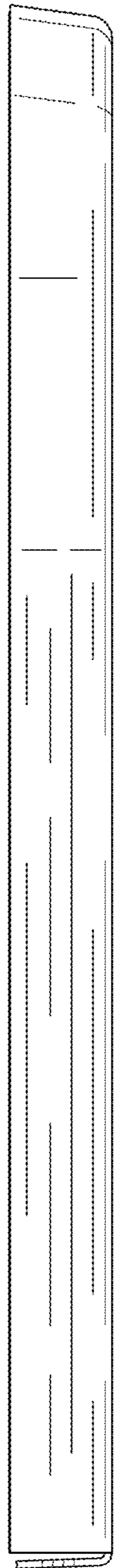


FIG. 5

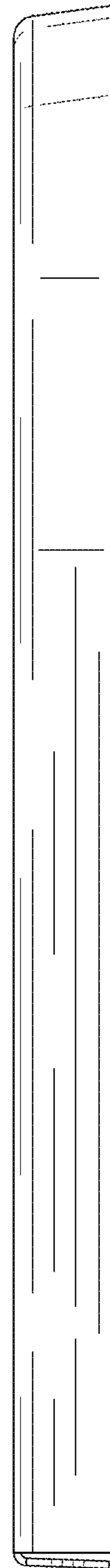


FIG. 6

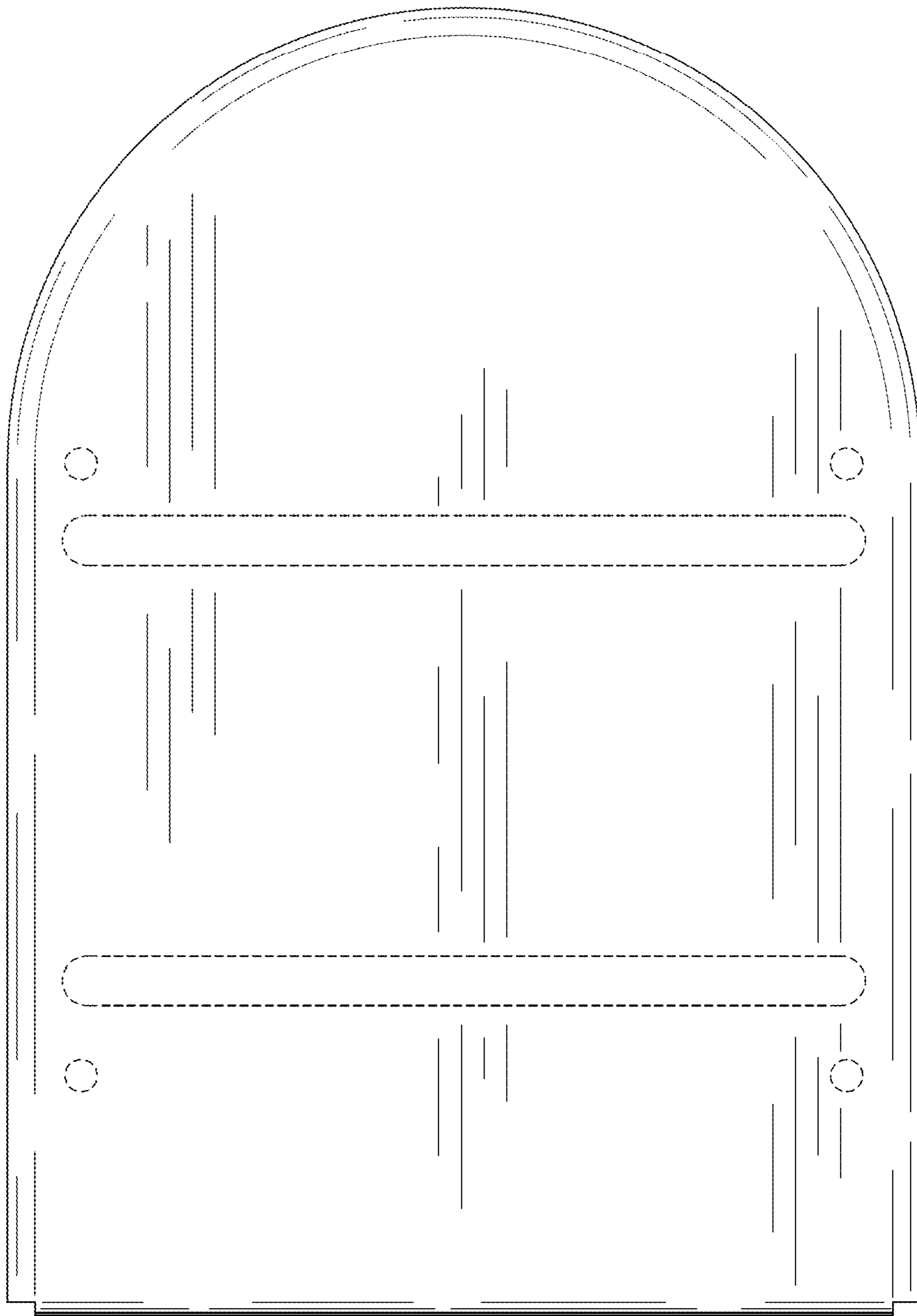


FIG. 7

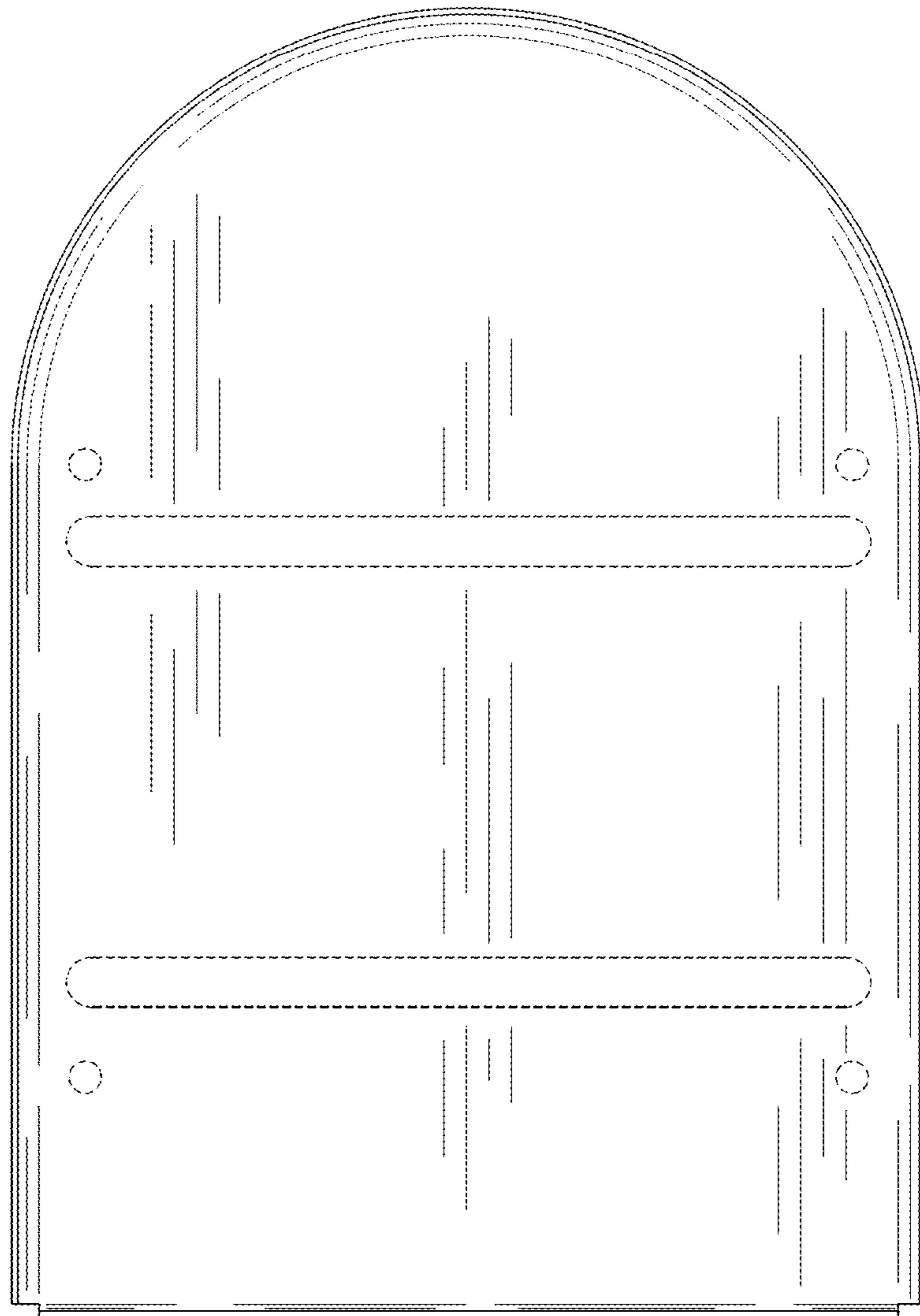


FIG. 8