



US00D790239S

(12) **United States Design Patent**  
**Goode et al.**

(10) **Patent No.:** **US D790,239 S**  
(45) **Date of Patent:** **\*\* Jun. 27, 2017**

(54) **AIRCRAFT SEAT ARRANGEMENT**

(56) **References Cited**

(71) Applicant: **Priestman Goode Limited**, London (GB)

U.S. PATENT DOCUMENTS

(72) Inventors: **Nigel Goode**, London (GB); **Nick Moyes**, London (GB)

D510,816 S \* 10/2005 Lee ..... D6/356  
D591,520 S \* 5/2009 Orson ..... D6/356  
D653,884 S \* 2/2012 Ferry ..... D6/356  
D656,750 S \* 4/2012 Porter ..... D6/356  
8,720,821 B2 \* 5/2014 Ferry ..... B60N 2/206  
244/118.6

(73) Assignee: **PRIESTMAN GOODE LIMITED**, London (GB)

D713,160 S \* 9/2014 Roberts ..... D6/356  
8,979,189 B2 \* 3/2015 Henshaw ..... A47B 83/02  
297/135

(\*\*) Term: **15 Years**

D733,442 S \* 7/2015 Dryburgh ..... D6/356

(21) Appl. No.: **29/540,963**

D741,609 S \* 10/2015 Williams ..... D6/338

(22) Filed: **Sep. 29, 2015**

9,169,020 B2 \* 10/2015 Kroll ..... B64D 11/06

(51) **LOC (10) Cl.** ..... **06-01**

2012/0235453 A1 \* 9/2012 Bechtold ..... B64D 11/0696  
297/217.1

(52) **U.S. Cl.**

2012/0292957 A1 \* 11/2012 Vergnaud ..... B64D 11/06  
297/188.08

USPC ..... **D6/356**

2014/0035330 A1 \* 2/2014 Henshaw ..... B60N 3/002  
297/174 R

(58) **Field of Classification Search**

\* cited by examiner

USPC ..... D6/334-336, 342, 356, 360, 367-368,  
D6/374, 375, 708.21, 716, 716.1-716.7,  
D6/717

*Primary Examiner* — Ricky Pham

(74) *Attorney, Agent, or Firm* — Baker & Hostetler LLP

CPC ..... A47B 83/02; A47C 1/124; A47C 5/043;  
A47C 7/022; A47C 7/18; A47C 7/40;  
A47C 7/70; A47C 7/383; A47C 7/543;  
A62B 7/14; B60N 2/015; B60N 2/0292;  
B60N 2/22; B60N 2/206; B60N 2/48;  
B60N 2/62; B60N 2/66; B60N 2/70;  
B60N 2/449; B60N 2/4606; B60N  
2/4879; B60N 2/4882; B60N 2/067;  
B60N 2/075; B60N 2/0715; B60N 2/682;  
B60N 3/002; B60N 3/004; B60R 7/043;  
B64D 11/0015; B64D 11/06; B64D  
11/0624; B64D 11/0693; B64D 11/0696

See application file for complete search history.

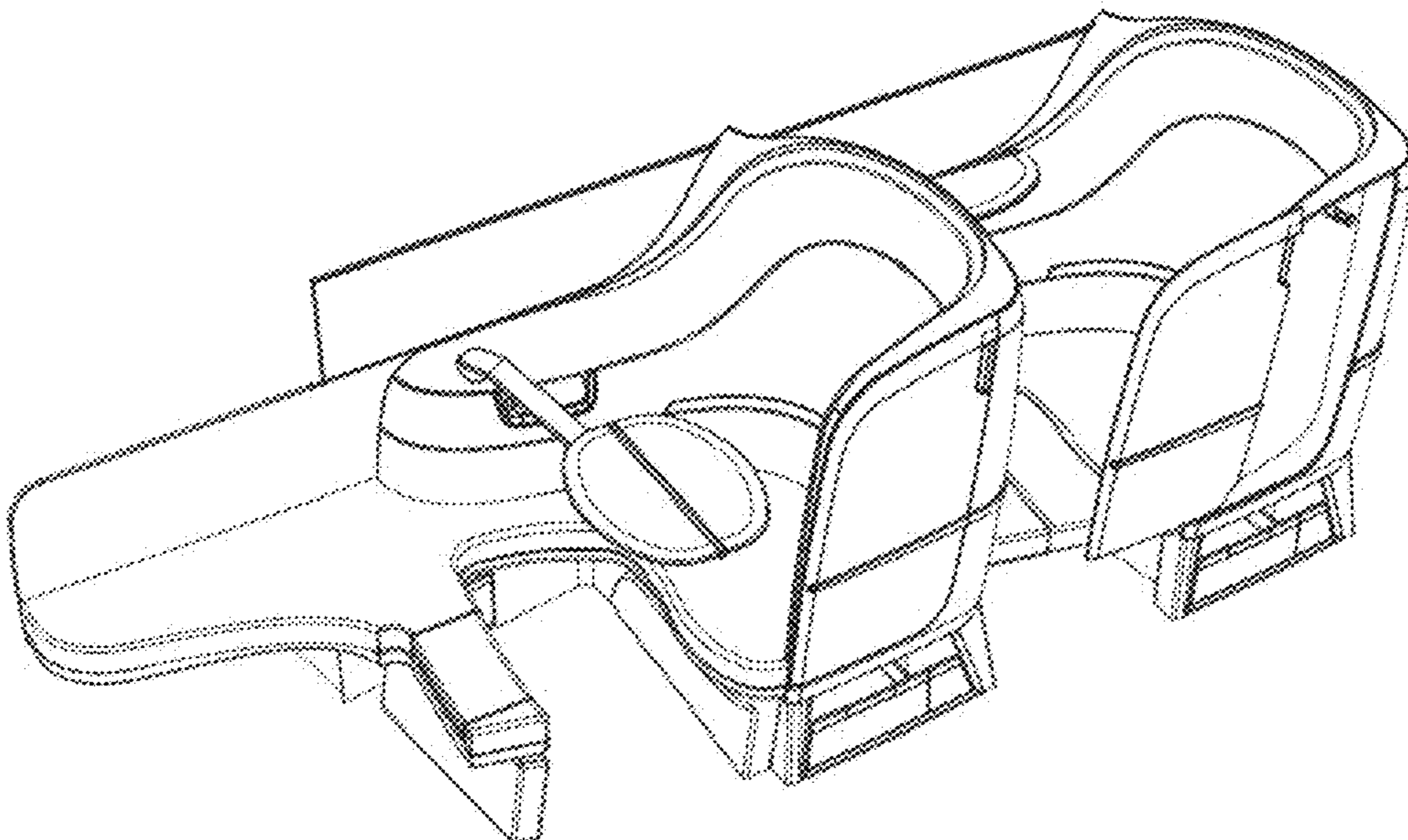
(57) **CLAIM**

The ornamental design for an aircraft seat arrangement, as shown and described.

**DESCRIPTION**

FIG. 1 is a top view of an aircraft seat arrangement showing our new design;  
FIG. 2 is a left side view thereof; and,  
FIG. 3 is a rear view thereof.

**1 Claim, 2 Drawing Sheets**



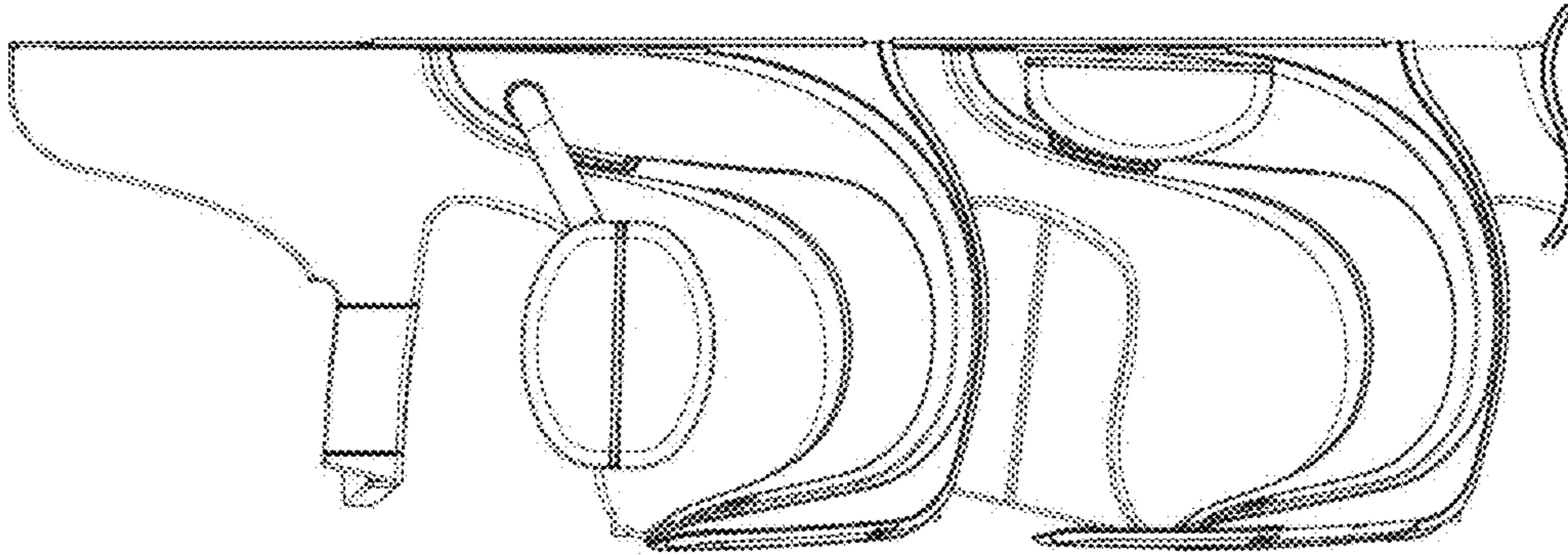


Fig. 1

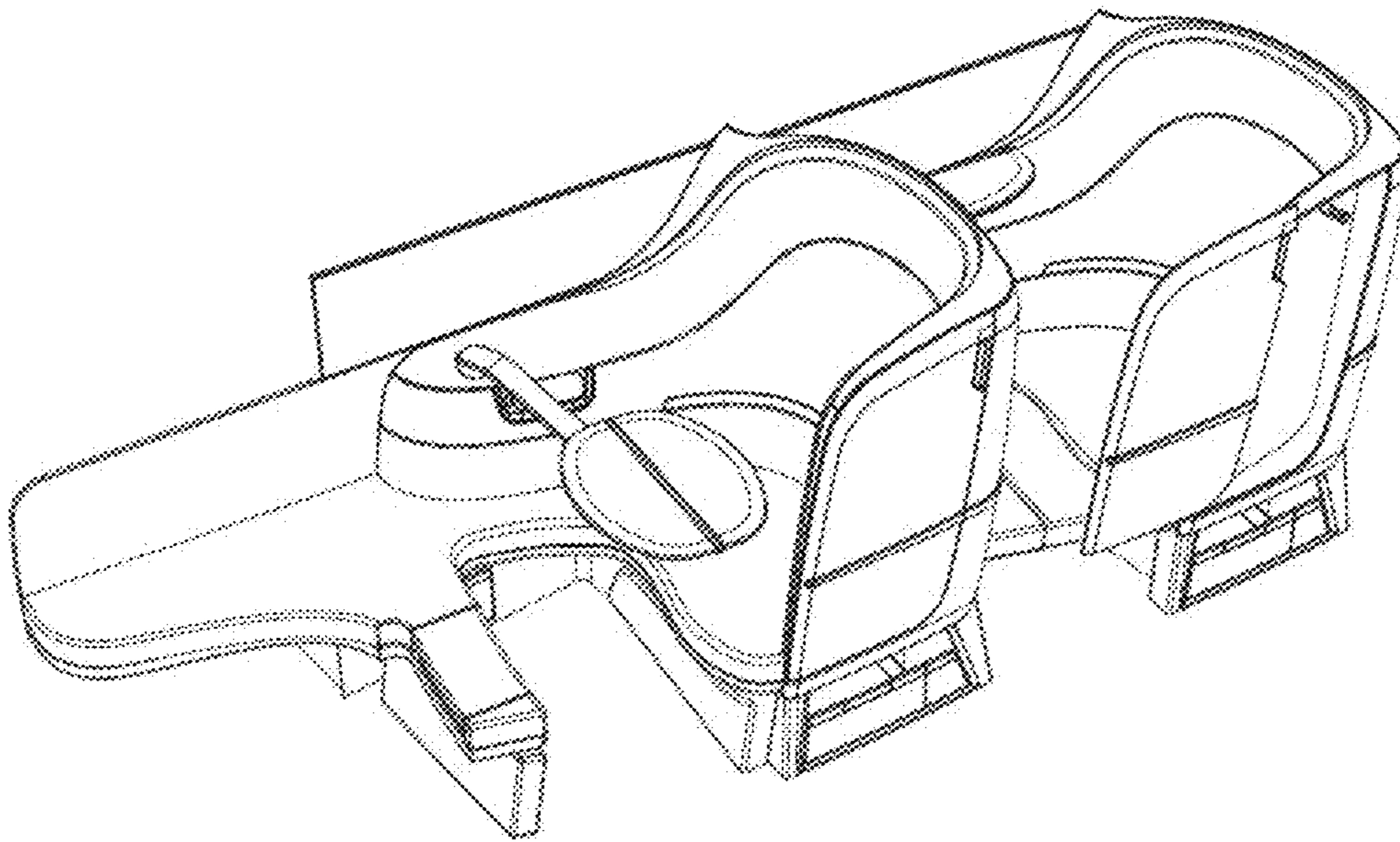


Fig. 2

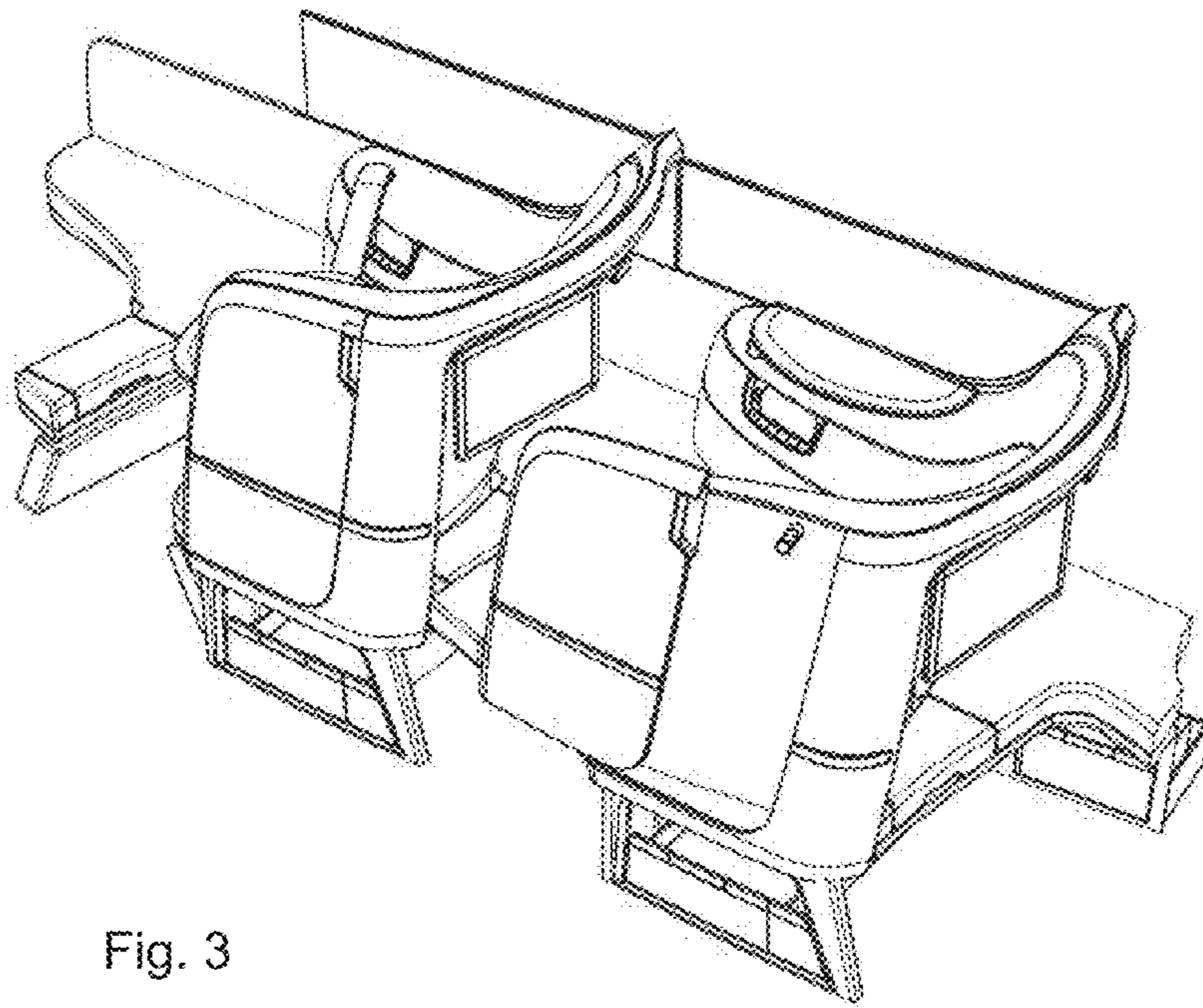


Fig. 3