



US00D790237S

(12) **United States Design Patent** (10) **Patent No.:** **US D790,237 S**
Owens et al. (45) **Date of Patent:** **** Jun. 27, 2017**

(54) **COMBINED ARMLESS CHAIR WITH STORAGE COMPARTMENT**

(74) *Attorney, Agent, or Firm* — Marshall, Gerstein & Borun LLP

(71) Applicant: **SHANGHAI INDUSTRIES GROUP (SIG)**, Shanghai (CN)

(57) **CLAIM**

The ornamental design for a combined armless chair with storage compartment, as shown and described.

(72) Inventors: **Benny Mack Owens**, New Albany, MS (US); **Jack Gilbert Adams**, Guntown, MS (US); **Milton C. McDonald, Jr.**, Myrtle, MS (US)

DESCRIPTION

(73) Assignee: **SHANGHAI INDUSTRIES GROUP (SIG)**, Shanghai (CN)

FIG. 1 is a top, front, left perspective view of a combined armless chair with storage compartment; FIG. 2 is a top, front, left perspective view thereof; FIG. 3 is a front elevational view thereof; FIG. 4 is a rear plan view thereof; FIG. 5 is a left side view thereof; FIG. 6 is a right side view thereof; FIG. 7 is a top view thereof; FIG. 8 is a rear plan view thereof; FIG. 9 is a front perspective view of FIG. 1 identical to FIG. 2, shown in a first alternate condition of use; FIG. 10 is a front perspective view thereof shown in a second alternate condition of use; FIG. 11 is a front perspective view, shown in a third alternate condition of use; FIG. 12 is a left side elevational view, shown in a first alternate condition of use; FIG. 13 is a left side elevational view, shown in a second alternate condition of use; FIG. 14 is a left side elevational view, shown in a third alternate condition of use; FIG. 15 is a top, rear, left perspective view, shown in a closed configuration; FIG. 16 is a top, rear, left perspective view, as shown in FIG. 12 in a first alternate condition of use; FIG. 17 is a top, rear, left perspective view, as shown in FIG. 13 in a second alternate condition of use; and, FIG. 18 is a top, rear, left perspective view, shown in a third alternate condition of use.

(**) Term: **15 Years**

(21) Appl. No.: **29/544,752**

(22) Filed: **Nov. 5, 2015**

(51) **LOC (10) Cl.** **06-01**

(52) **U.S. Cl.**
USPC **D6/336**

(58) **Field of Classification Search**
USPC D6/336, 334, 356, 670; 5/13; 297/61, 297/219.1, 146

(Continued)

(56) **References Cited**

U.S. PATENT DOCUMENTS

D284,142 S * 6/1986 Raftery D6/334
D289,831 S * 5/1987 Leib D6/334

(Continued)

OTHER PUBLICATIONS

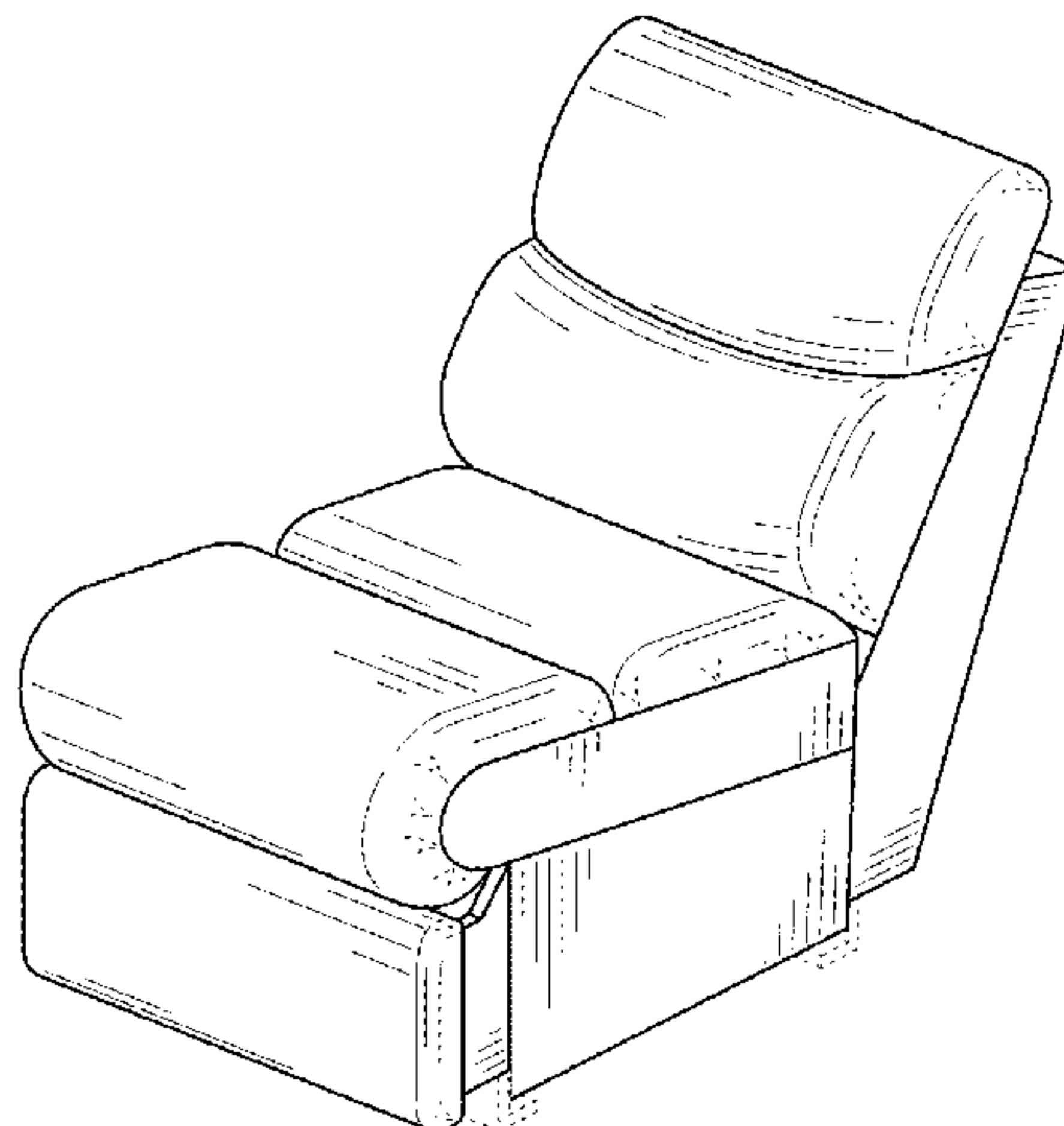
“Home Reserve”. Found online Sep. 30, 2016 at www.homerreserve.com. Page dated Jun. 10, 2013. Retrieved from <URL:<https://web.archive.org/web/20130610143033/http://www.homerreserve.com/features.cfm>>.*

(Continued)

Primary Examiner — Caron D Veynar
Assistant Examiner — Katelin G Kloberg

The curved broken lines on the combined armless chair with storage compartment illustrate unclaimed contours of the cushions.
The broken lines illustrating the feet or base supports form no part of the claimed design.

(Continued)



The broken lines in FIG. 1 indicating additional seats are for environmental purposes and form no part of the claimed design.

1 Claim, 12 Drawing Sheets

(58) Field of Classification Search

CPC A47C 17/136; A47C 17/2076
See application file for complete search history.

(56) References Cited

U.S. PATENT DOCUMENTS

5,044,692 A * 9/1991 Tidwell, Jr. A47C 7/38
297/391
D336,377 S * 6/1993 Gibson D6/334
5,303,976 A * 4/1994 Nobile A47C 7/62
297/146
D356,693 S * 3/1995 Meier D6/335
6,050,638 A * 4/2000 West, III A47C 7/62
297/188.09
D497,737 S * 11/2004 Stewart D16/225
D573,380 S * 7/2008 Lentini D6/716

D657,964 S * 4/2012 Amini D6/334
2013/0097774 A1 * 4/2013 Garland A47C 17/2076
5/29
2014/0352057 A1 * 12/2014 Thurow A47C 17/16
5/13
2015/0342352 A1 * 12/2015 Fischer A47C 1/036
297/61

OTHER PUBLICATIONS

“Storage Sectional”. Found online Sep. 30, 2016 at www.ana-white.com. Page dated Aug. 9, 2012. Retrieved from <URL:<http://www.ana-white.com/2012/08/storage-sectional>>.*
“Davis Armless Chair.” Found online Mar. 18, 2017 at www.crateandbarrel.com. Page dated Sep. 5, 2015. Retrieved from <URL:https://tineye.com/search/55868833358d0a79482218fb1abb701667b3e1d6/?sort=crawl_date&order=asc>.*
“La-Z-Boy Living Room Armless Middle Unit.” Found online Mar. 18, 2017 at www.tiptopfurniture.com. Page dated Mar. 7, 2014. Retrieved from <URL:https://tineye.com/search/91a3860645288c9af582073849ecb029203fd4f3/?extension_ver=chrome-1.1.5>.*

* cited by examiner

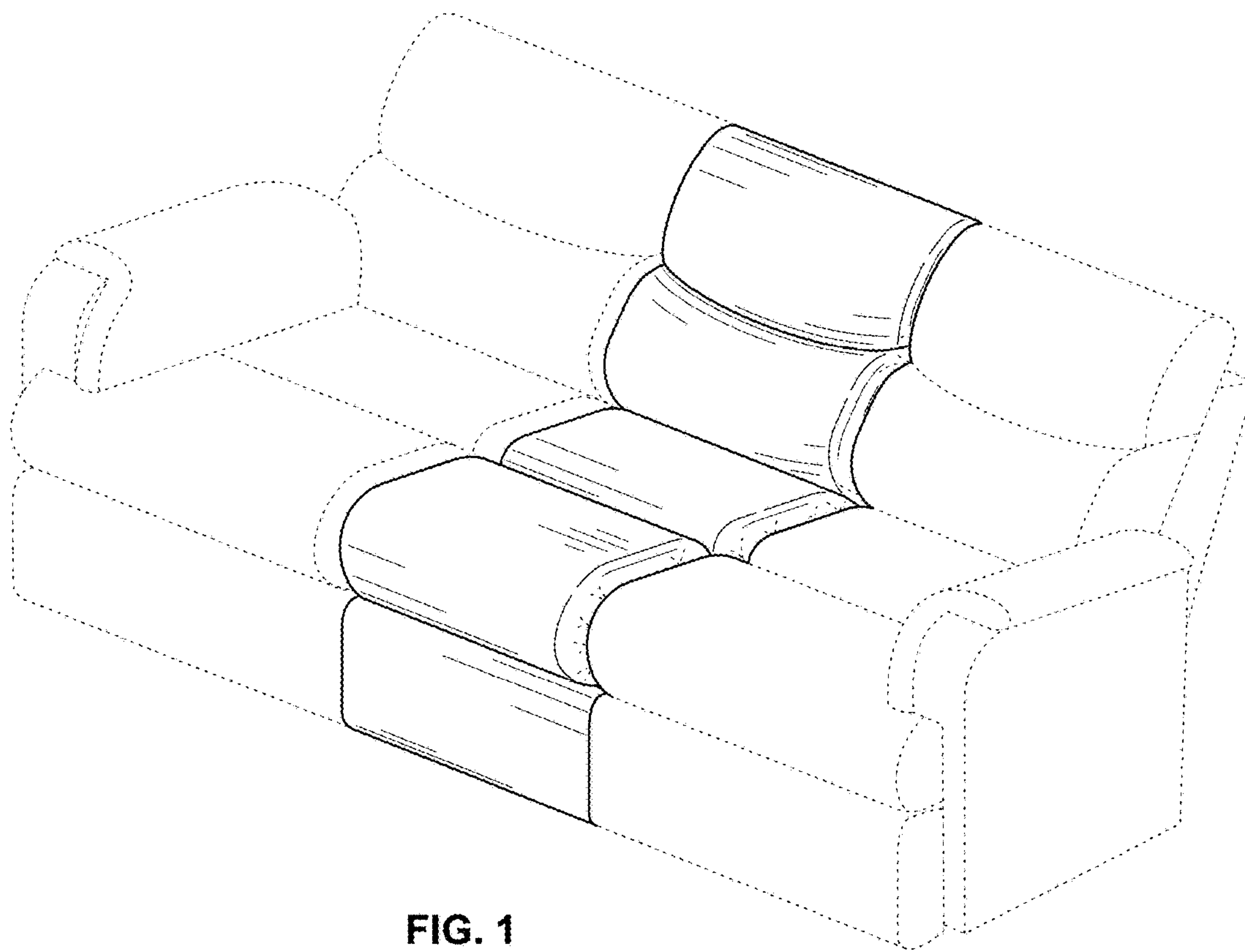


FIG. 1

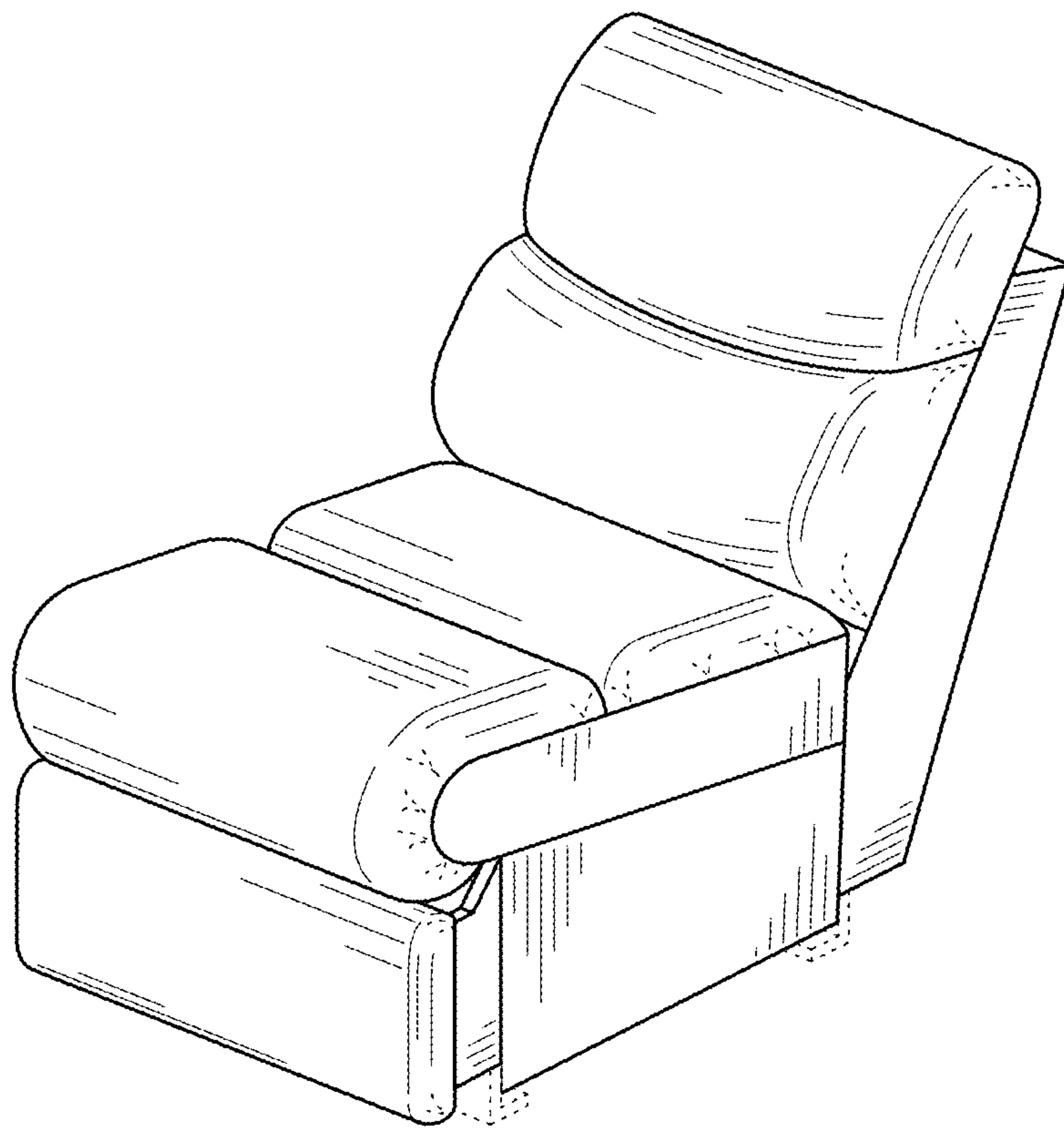


FIG. 2

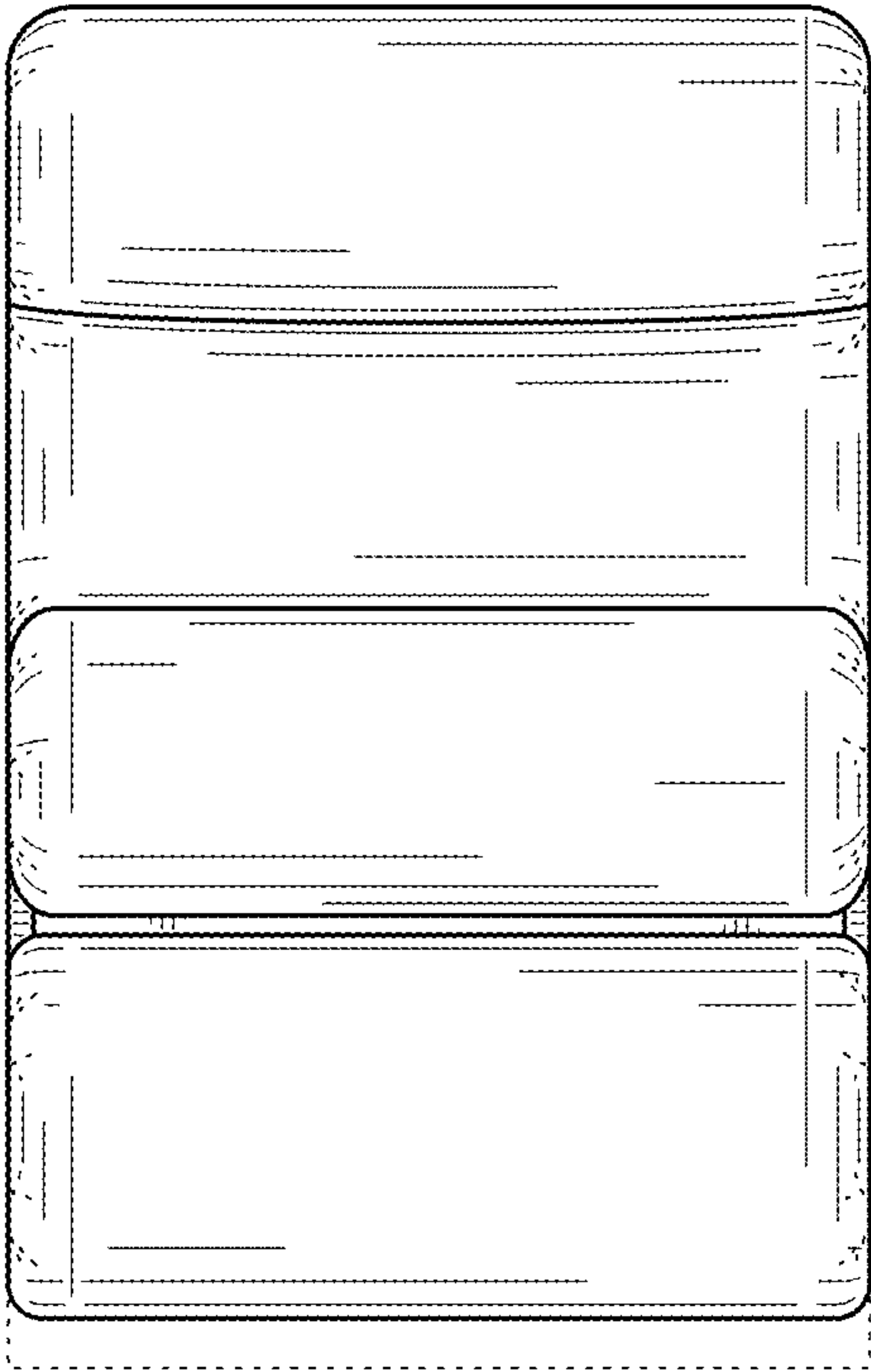


FIG. 3

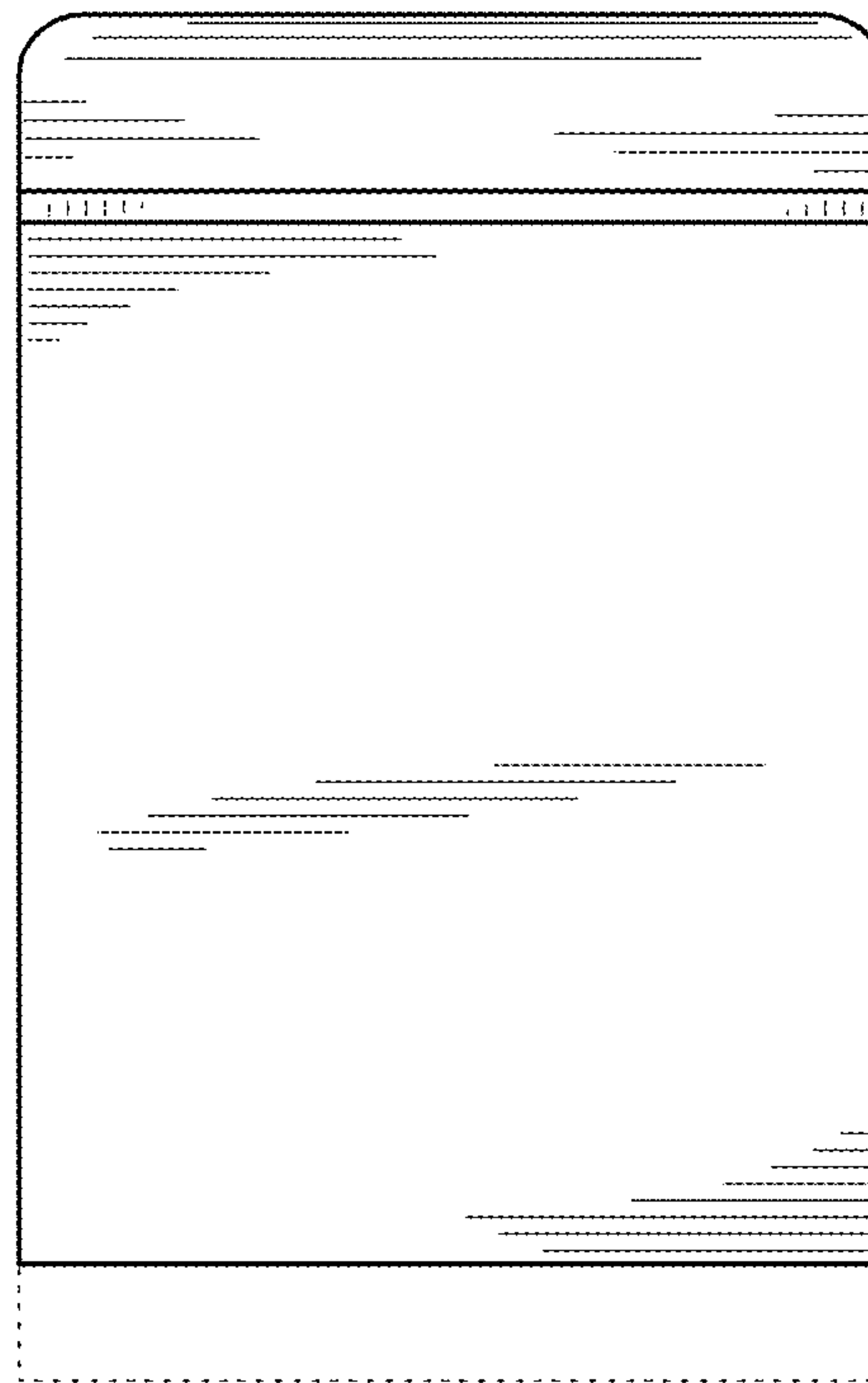


FIG. 4

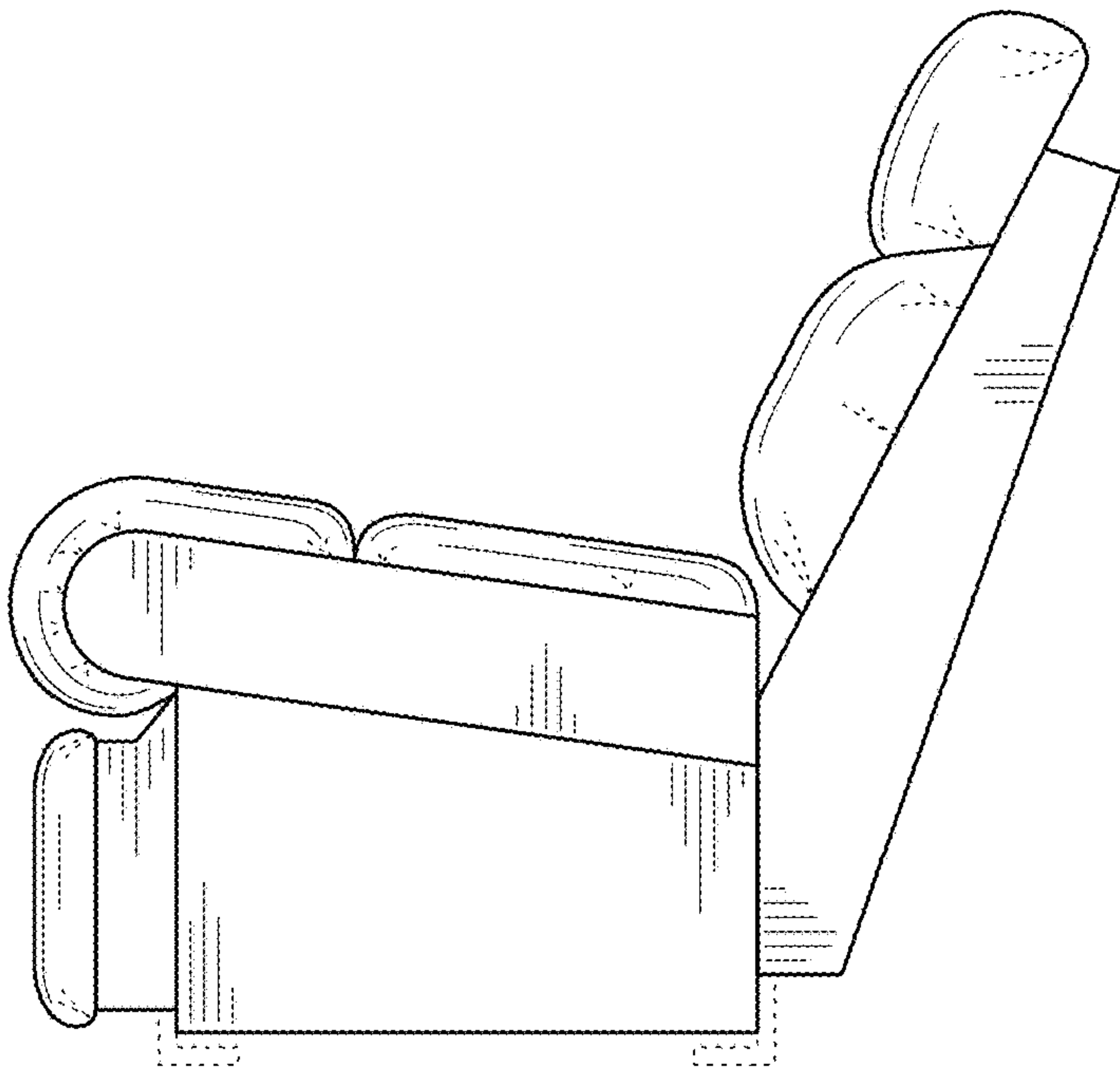


FIG. 5

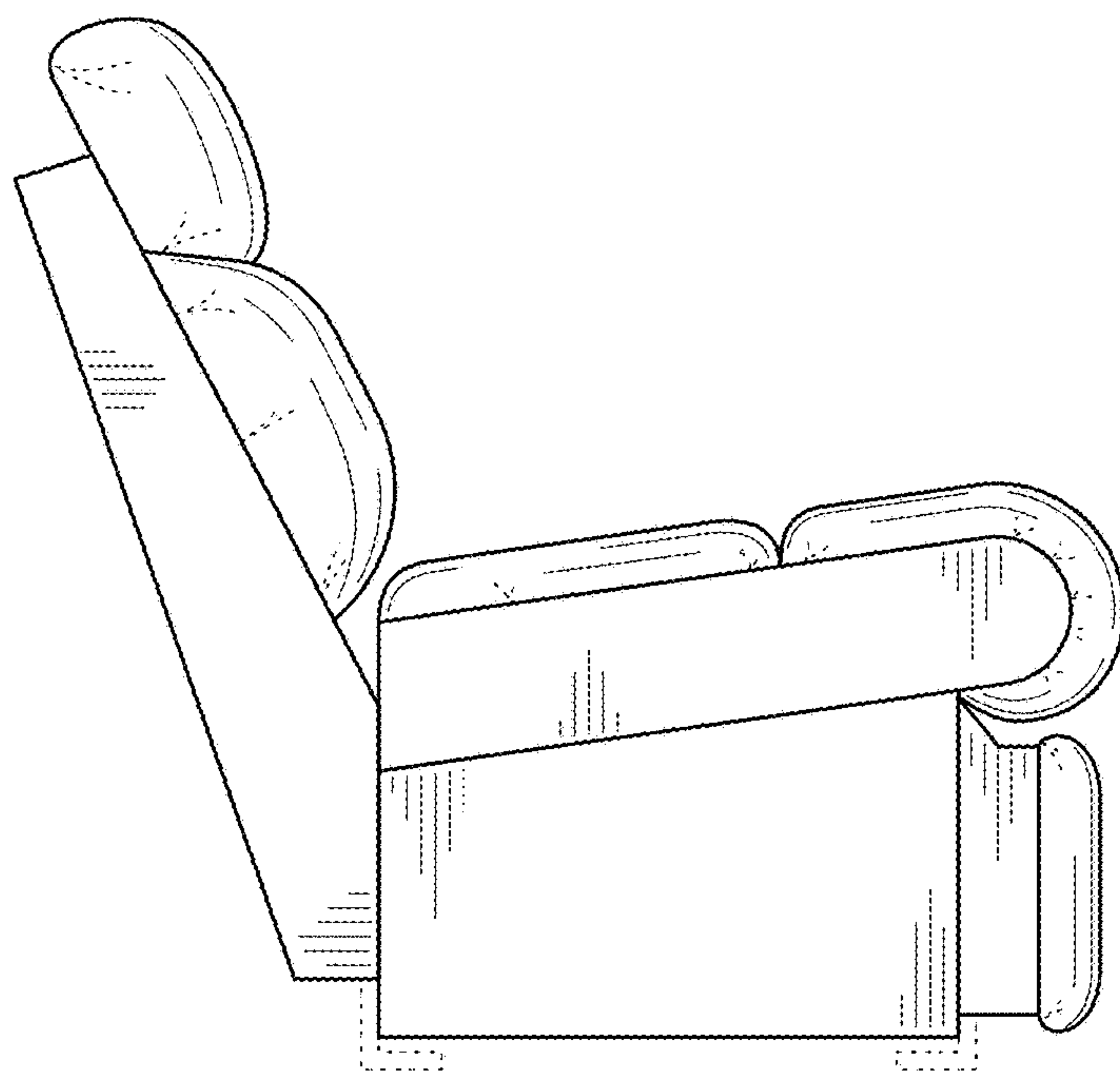


FIG. 6

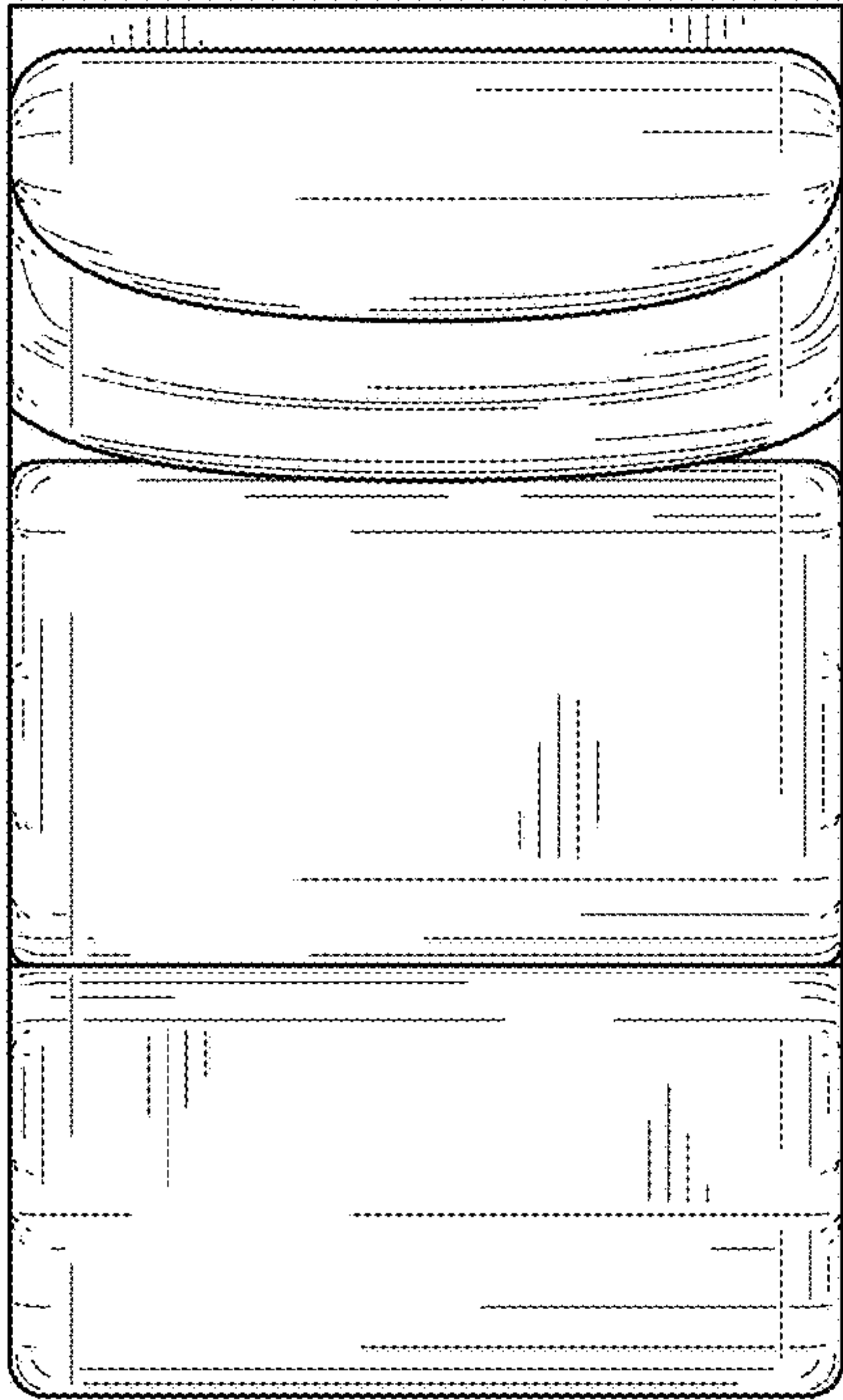


FIG. 7

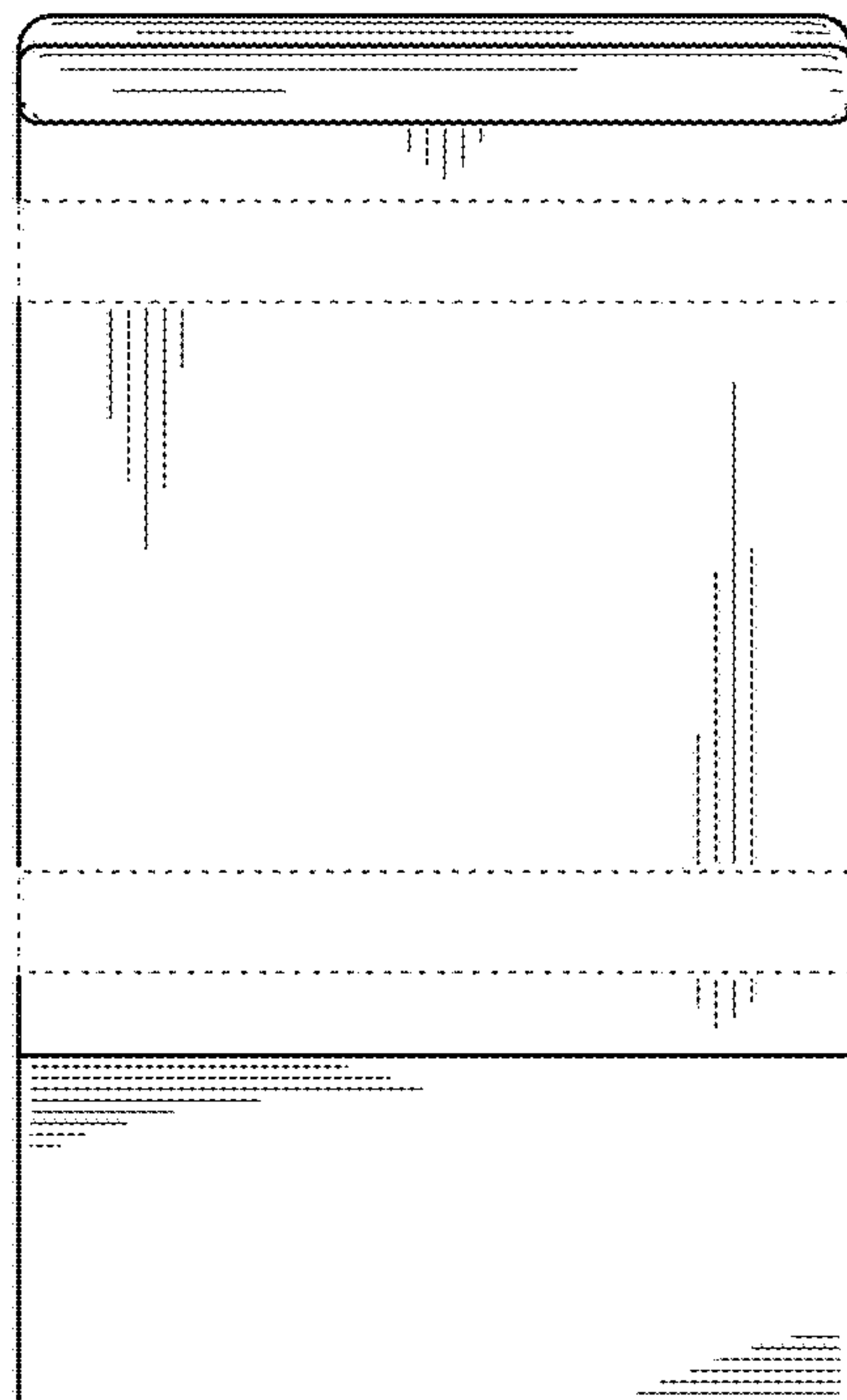


FIG. 8

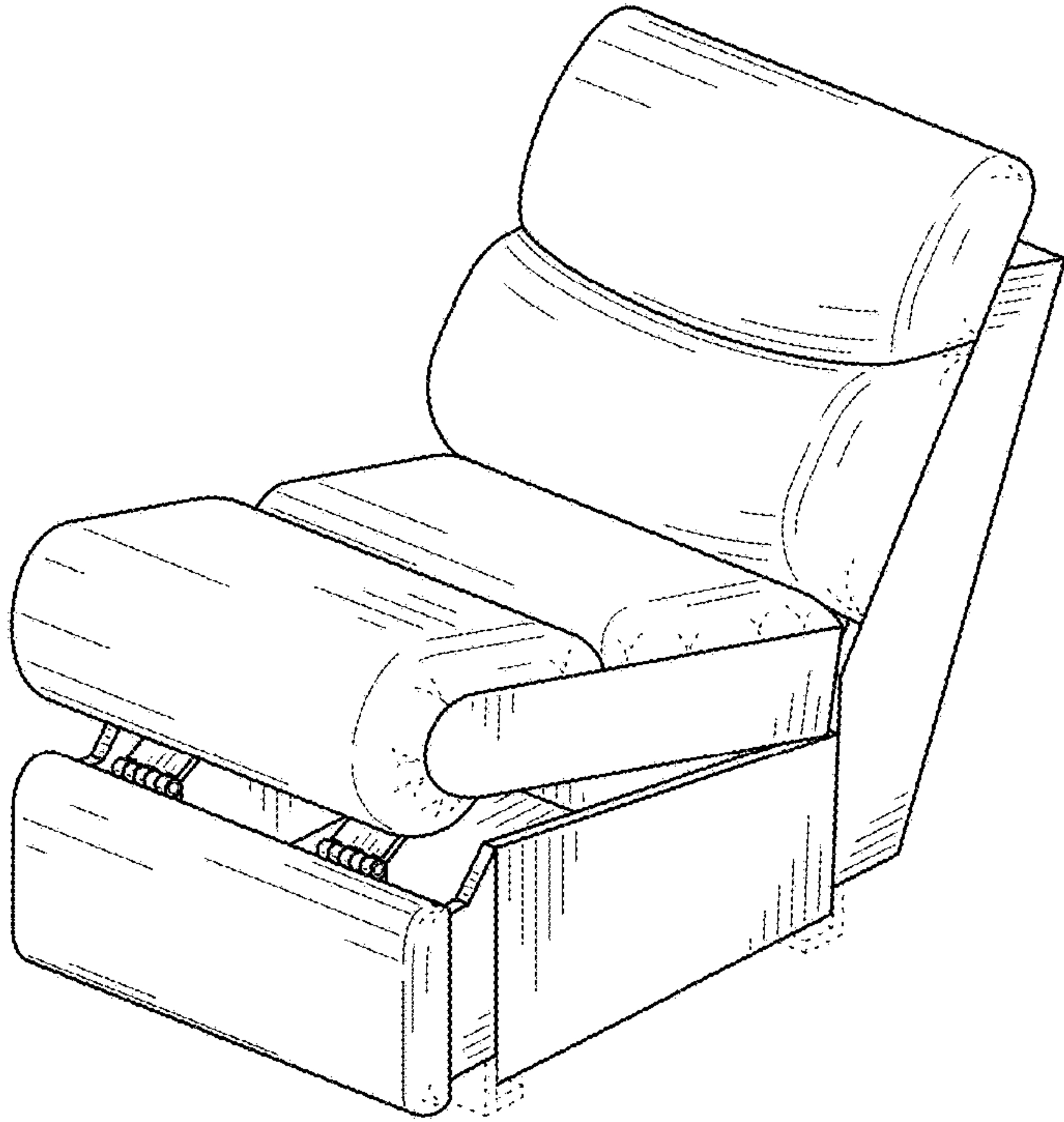


FIG. 9

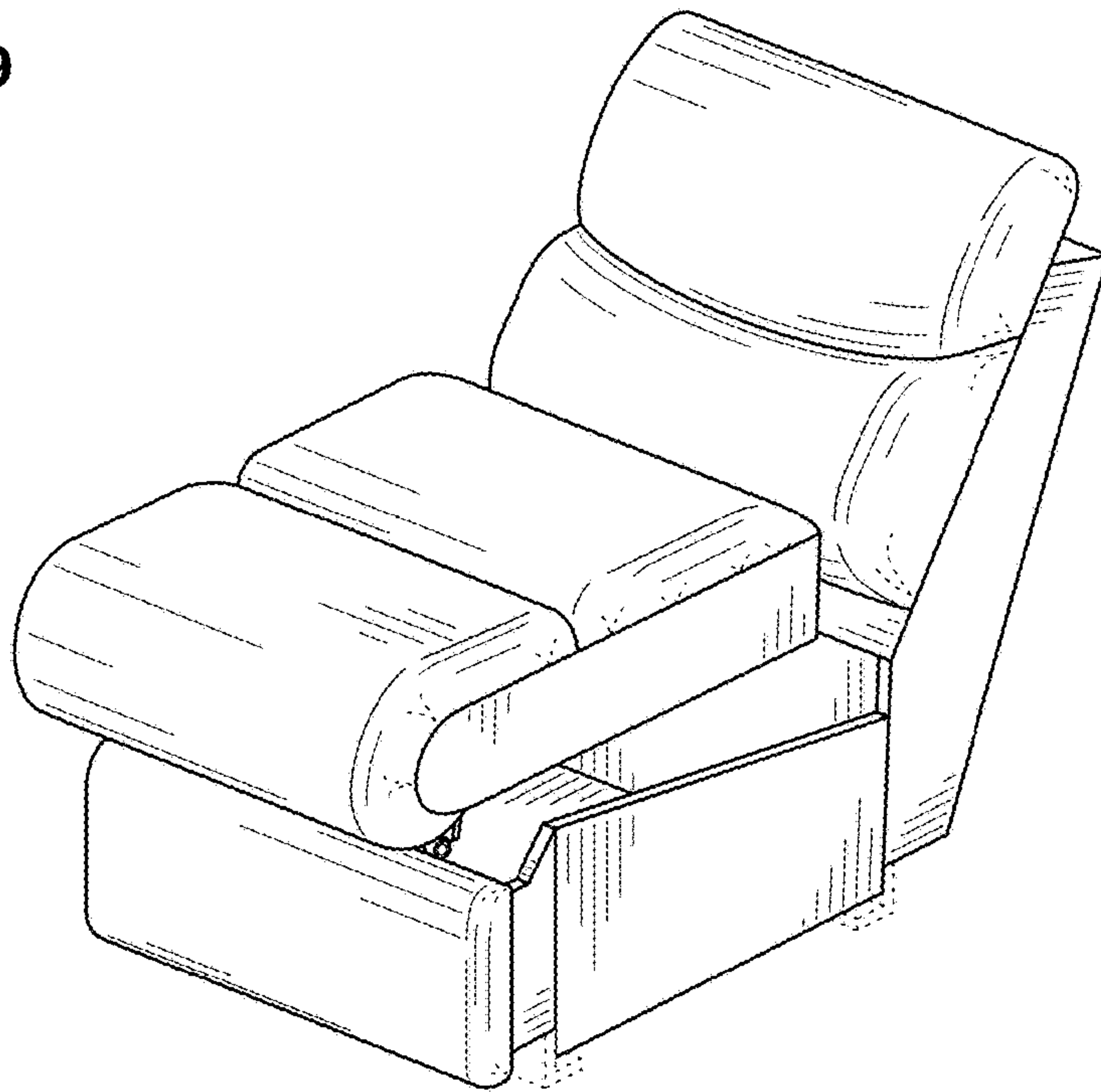


FIG. 10

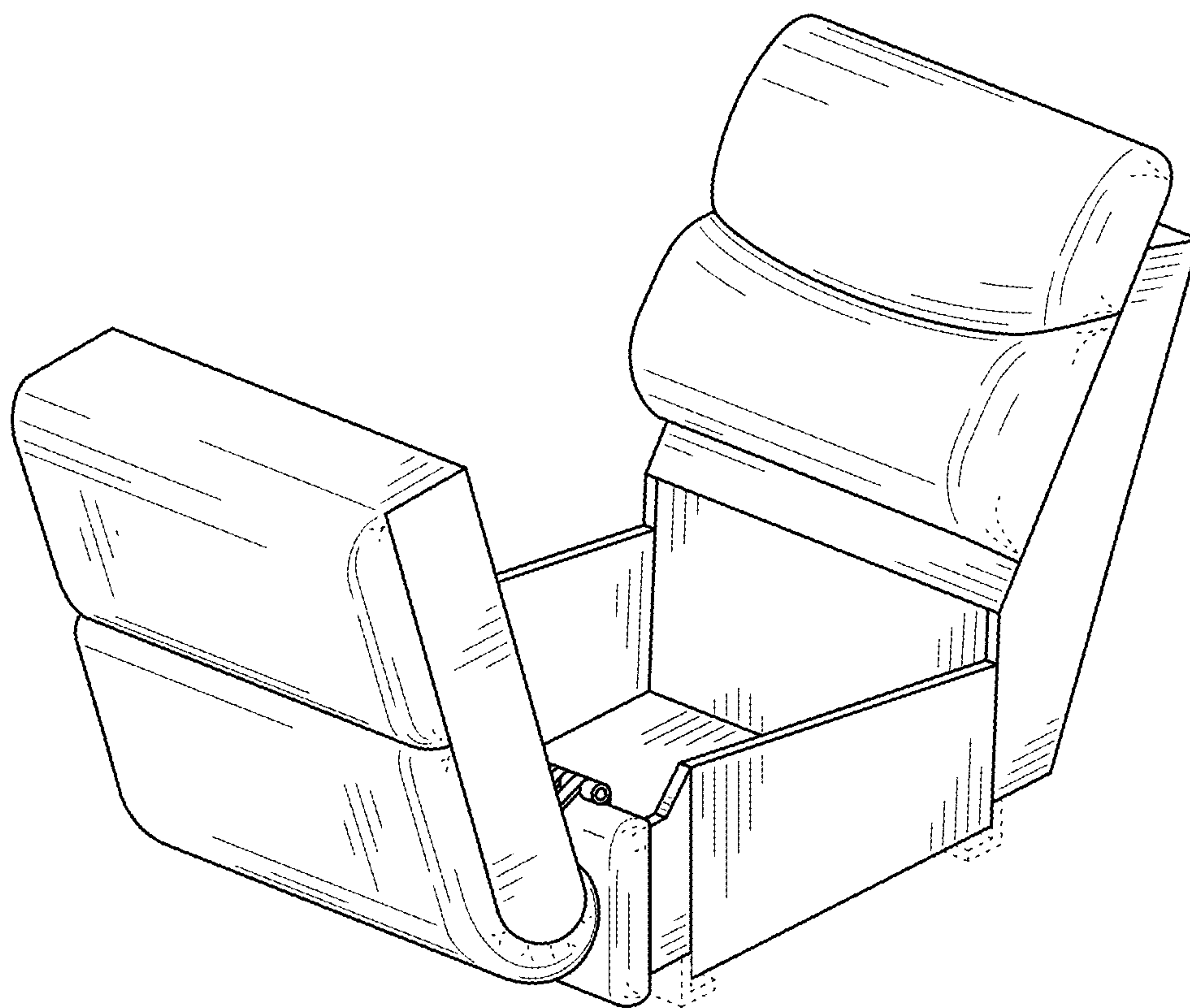


FIG. 11

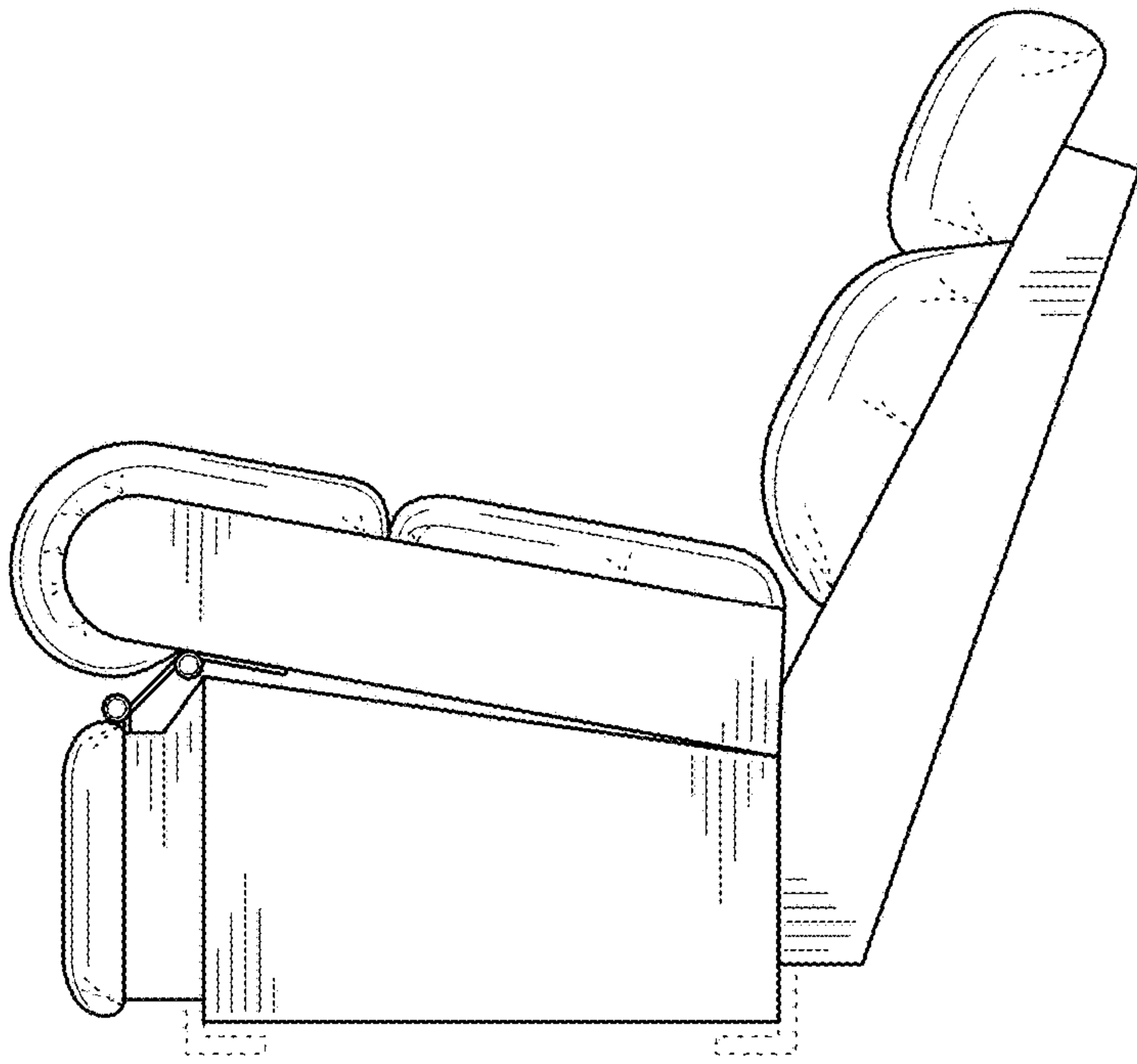


FIG. 12

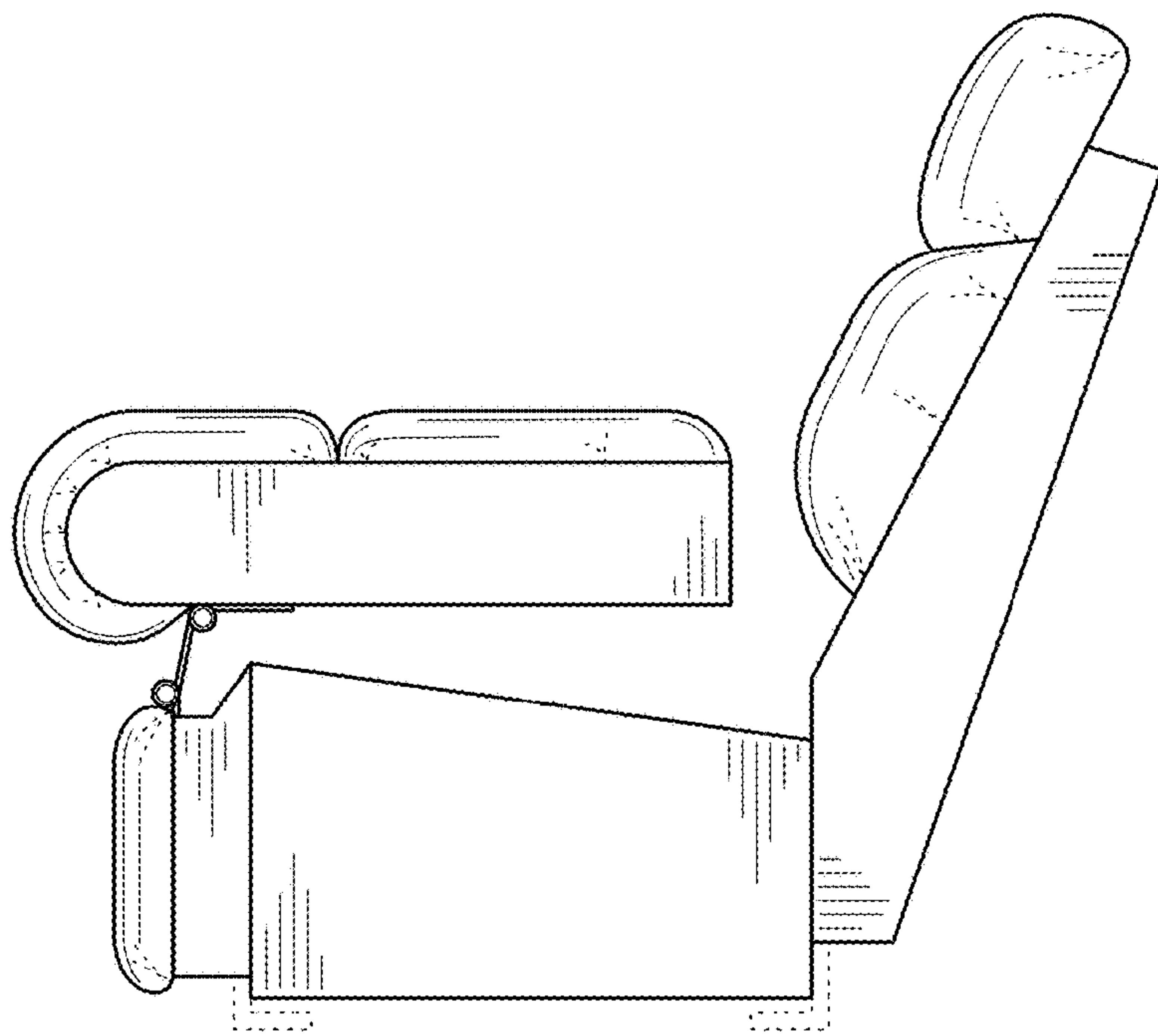


FIG. 13

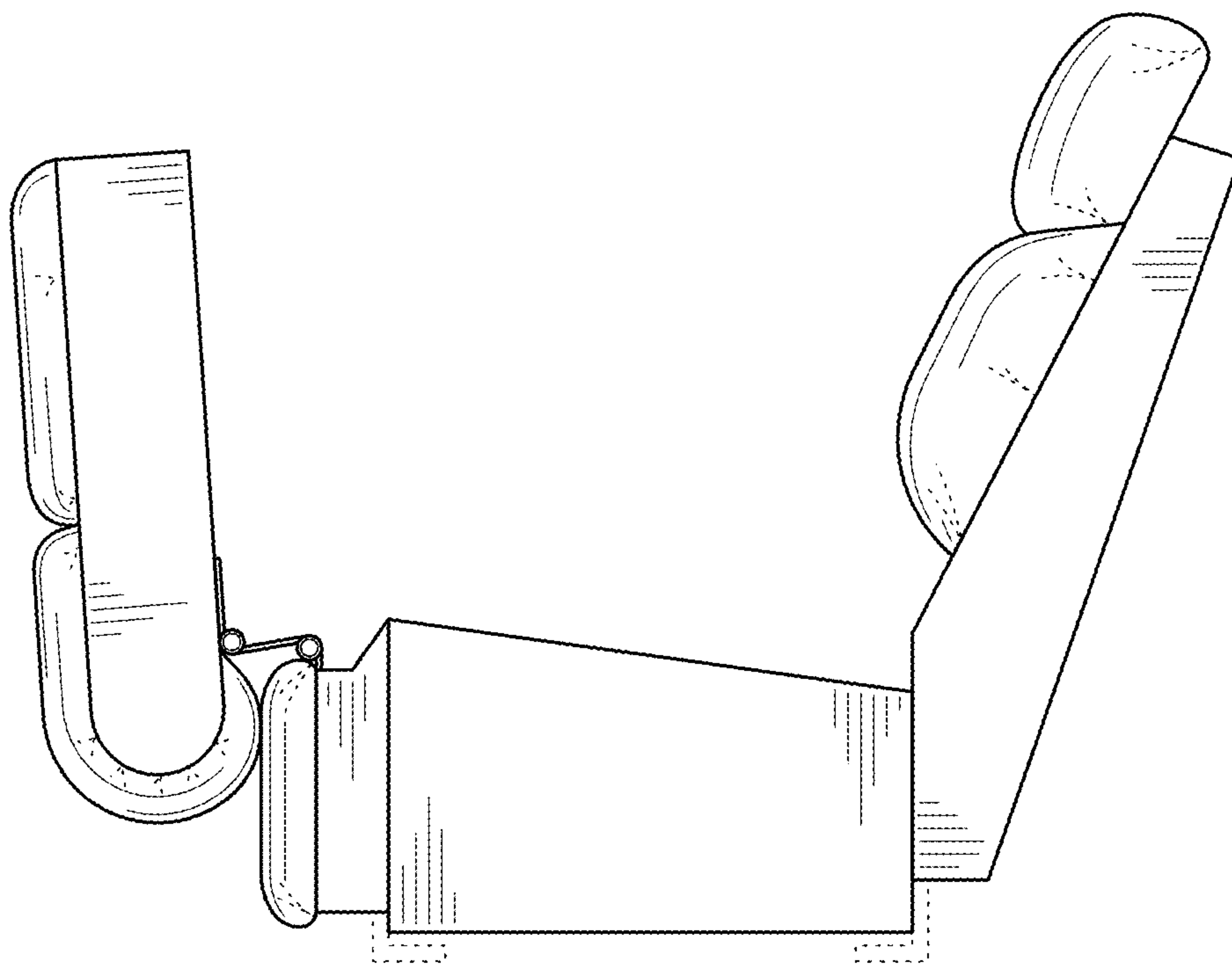


FIG. 14

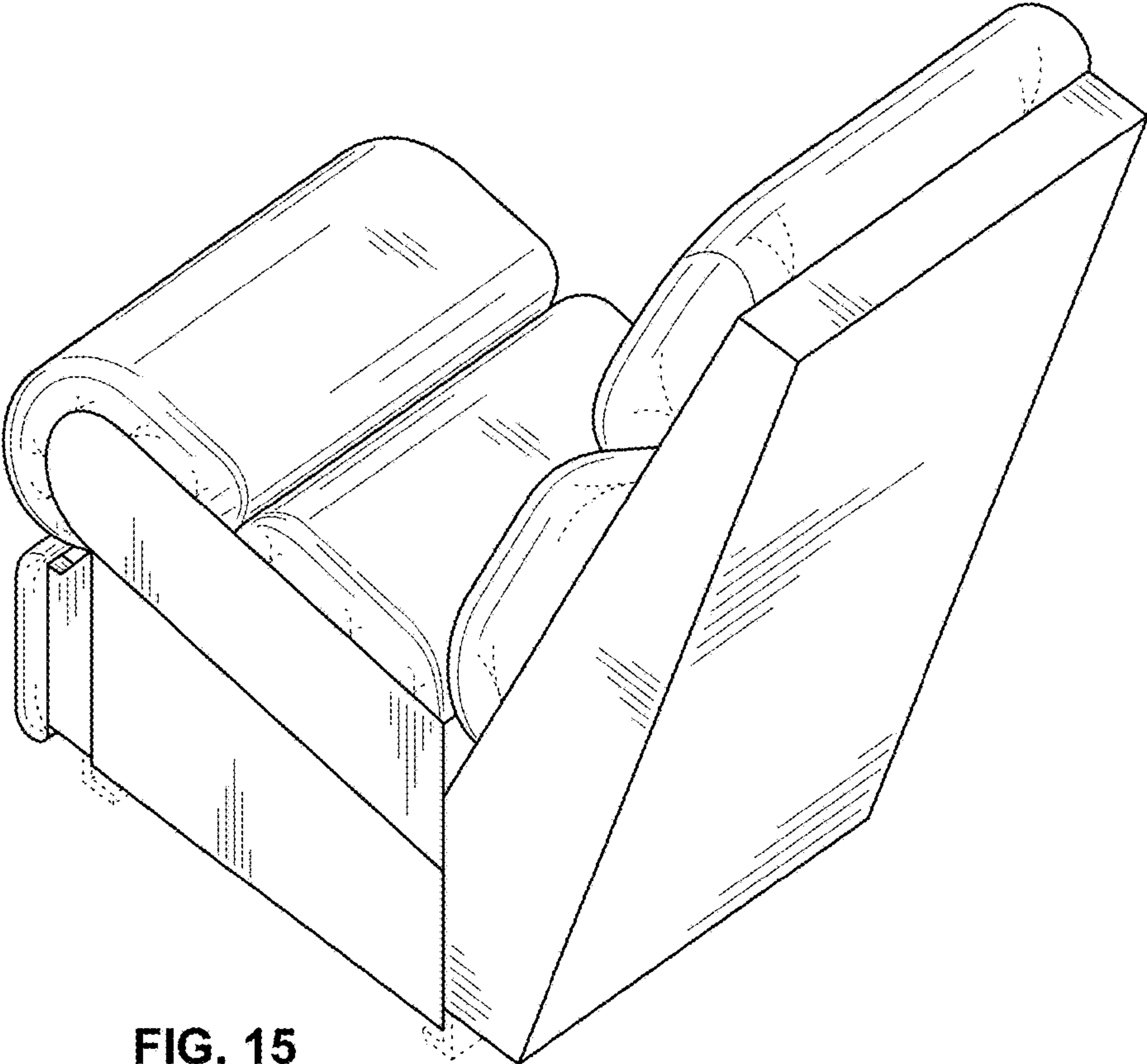


FIG. 15

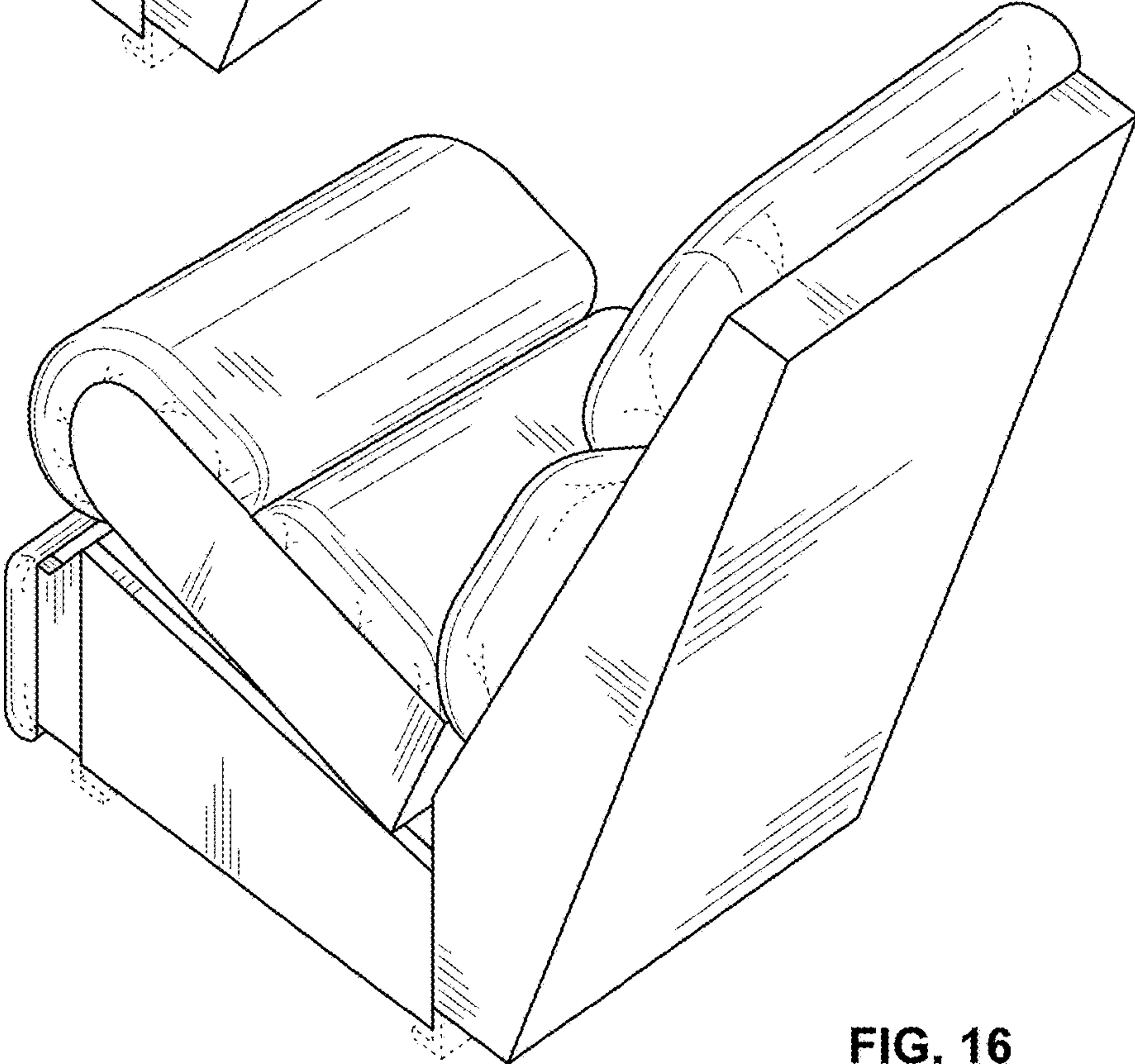


FIG. 16

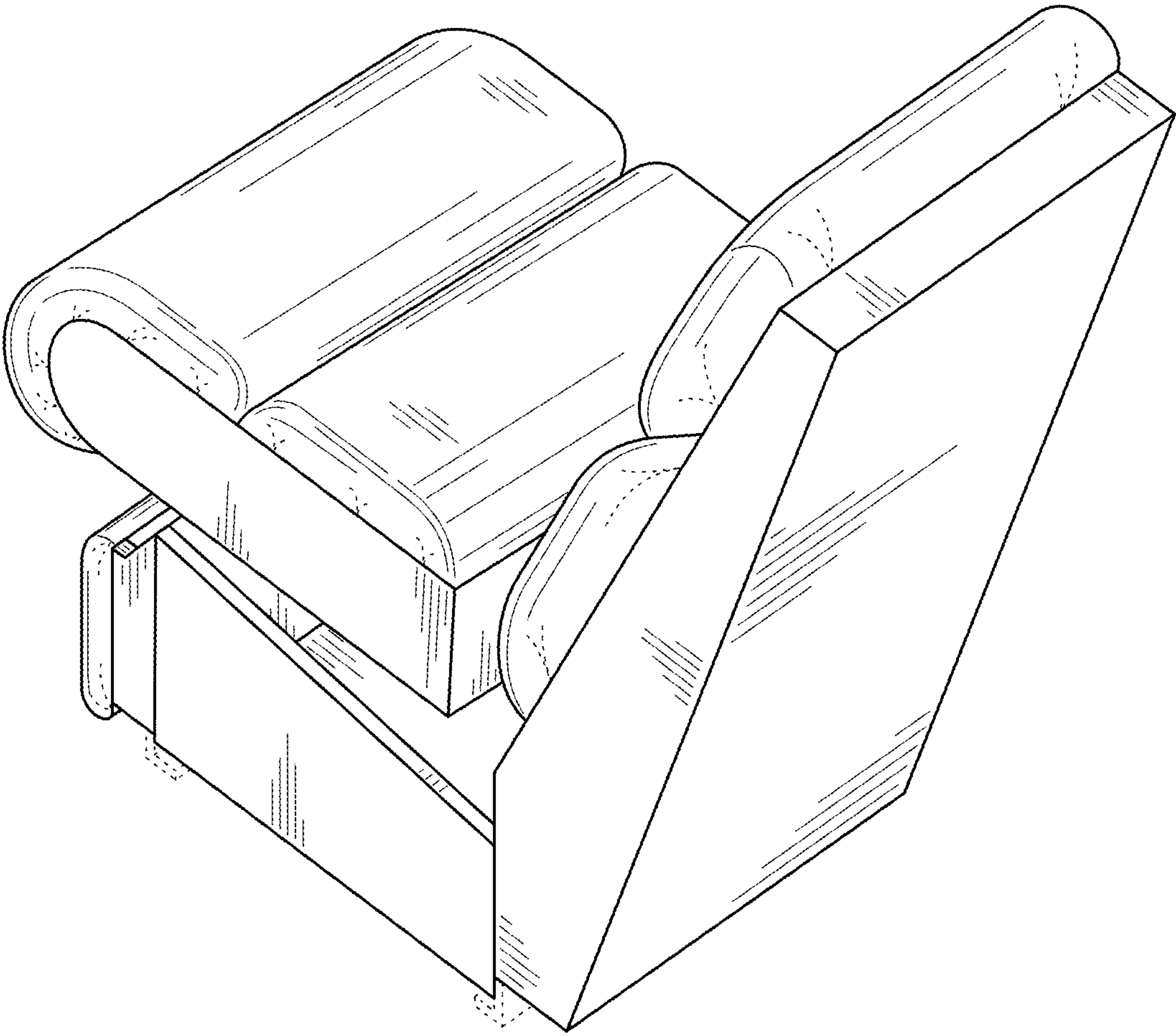


FIG. 17

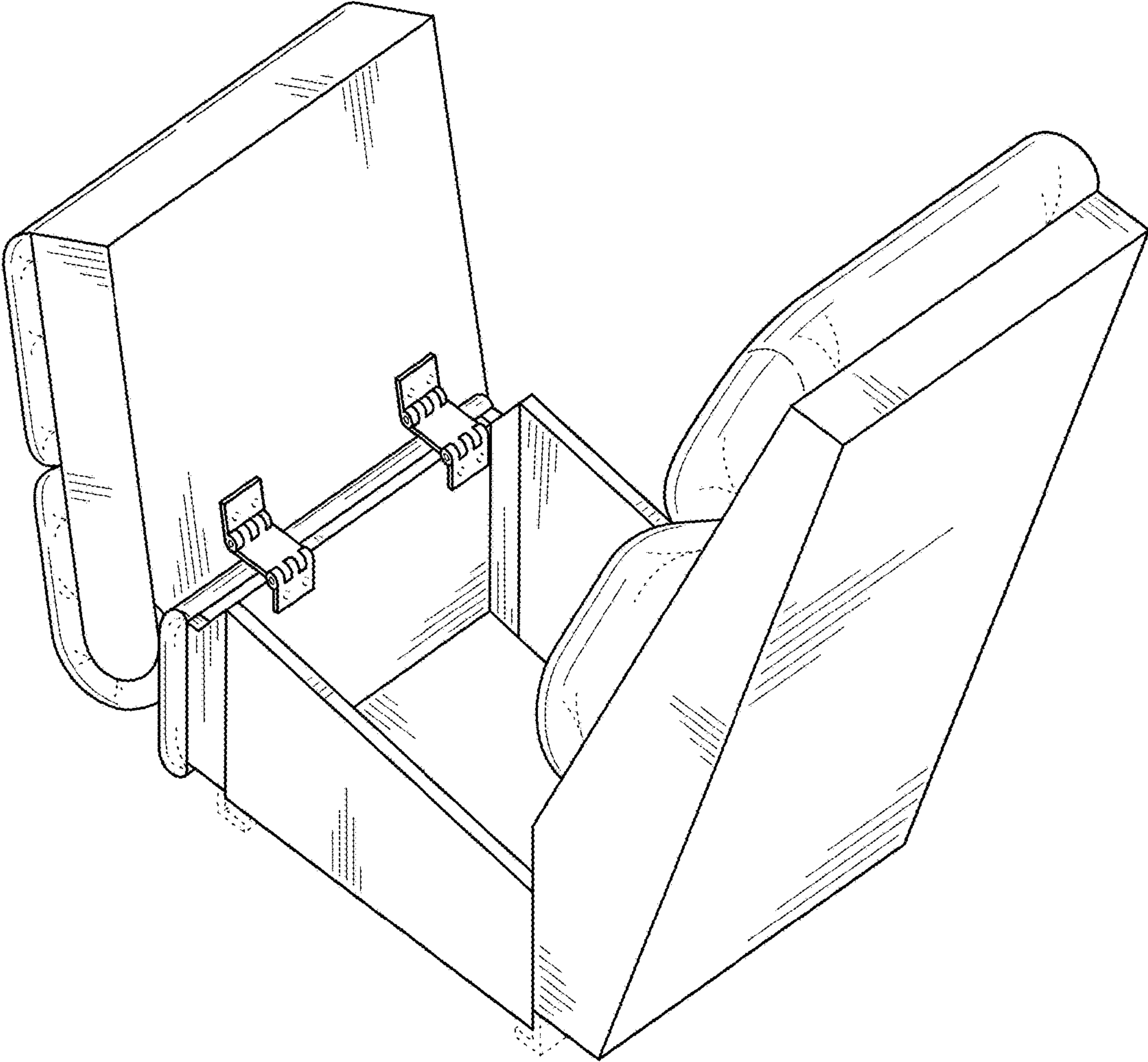


FIG. 18