



US00D790224S

(12) **United States Design Patent**
Shen

(10) **Patent No.:** **US D790,224 S**

(45) **Date of Patent:** **** Jun. 27, 2017**

- (54) **TOOTHBRUSH**
- (71) Applicant: **Min Shen**, Guangdong (CN)
- (72) Inventor: **Min Shen**, Guangdong (CN)
- (**) Term: **15 Years**
- (21) Appl. No.: **29/567,899**
- (22) Filed: **Jun. 14, 2016**
- (51) **LOC (10) Cl.** **04-01**
- (52) **U.S. Cl.**
USPC **D4/101**
- (58) **Field of Classification Search**
USPC D4/104, 105, 106, 110, 130, 132, 134,
D4/136, 137, 138, 139, 108, 101
CPC .. A46B 3/00; A46B 3/005; A46B 3/04; A46B
2200/1006; A46B 2200/108; A46B 5/02;
A46B 5/021; A46B 9/02; A46B 9/04;
A46B 7/02; A61C 17/22
See application file for complete search history.

- 6,689,078 B1 * 2/2004 Rehkemper A61C 17/30
15/29
- D489,534 S * 5/2004 Hensel D4/101
- D539,426 S * 3/2007 Callaghan D24/133
- 7,725,972 B2 * 6/2010 Berde A46B 7/04
15/22.1
- 8,763,194 B2 * 7/2014 Jimenez A46B 9/04
15/110
- D710,109 S * 8/2014 Nanda D4/104
- 8,800,093 B2 * 8/2014 Moskovich A46B 5/0062
15/167.1
- 8,981,196 B2 * 3/2015 Patel A46B 7/04
15/167.1
- 9,364,303 B2 * 6/2016 Driesen A61C 17/3436
- D771,952 S * 11/2016 Sedic D4/104
- D774,772 S * 12/2016 Sedic D4/101
- D774,773 S * 12/2016 Sedic D4/101
- D775,836 S * 1/2017 Sedic D4/101
- D776,438 S * 1/2017 Sedic D4/111
- D778,059 S * 2/2017 Sedic D4/101
- 9,578,956 B2 * 2/2017 Sedic A46B 9/04

(Continued)

Primary Examiner — Karen E Eldridge Powers

(56) **References Cited**

U.S. PATENT DOCUMENTS

- D177,529 S * 4/1956 McDermott, Sr. D24/211
- D204,127 S * 3/1966 Syvertson 15/22.1
- D230,105 S * 1/1974 Syvertson 34/96
- 4,353,141 A * 10/1982 Teague, Jr. A61C 17/38
15/22.1
- D301,660 S * 6/1989 Ambasz D4/108
- 5,072,479 A * 12/1991 Van Niekerk A46B 3/005
15/111
- D368,373 S * 4/1996 Shimatsu D4/101
- 5,628,082 A * 5/1997 Moskovich A46B 5/02
15/110
- D447,343 S * 9/2001 Doat D4/104
- D458,027 S * 6/2002 Ferber D4/101
- 6,450,810 B1 * 9/2002 Fischer A61O 5/62
433/80
- D469,959 S * 2/2003 Beydoun D4/104
- D479,915 S * 9/2003 De Salvo D4/101

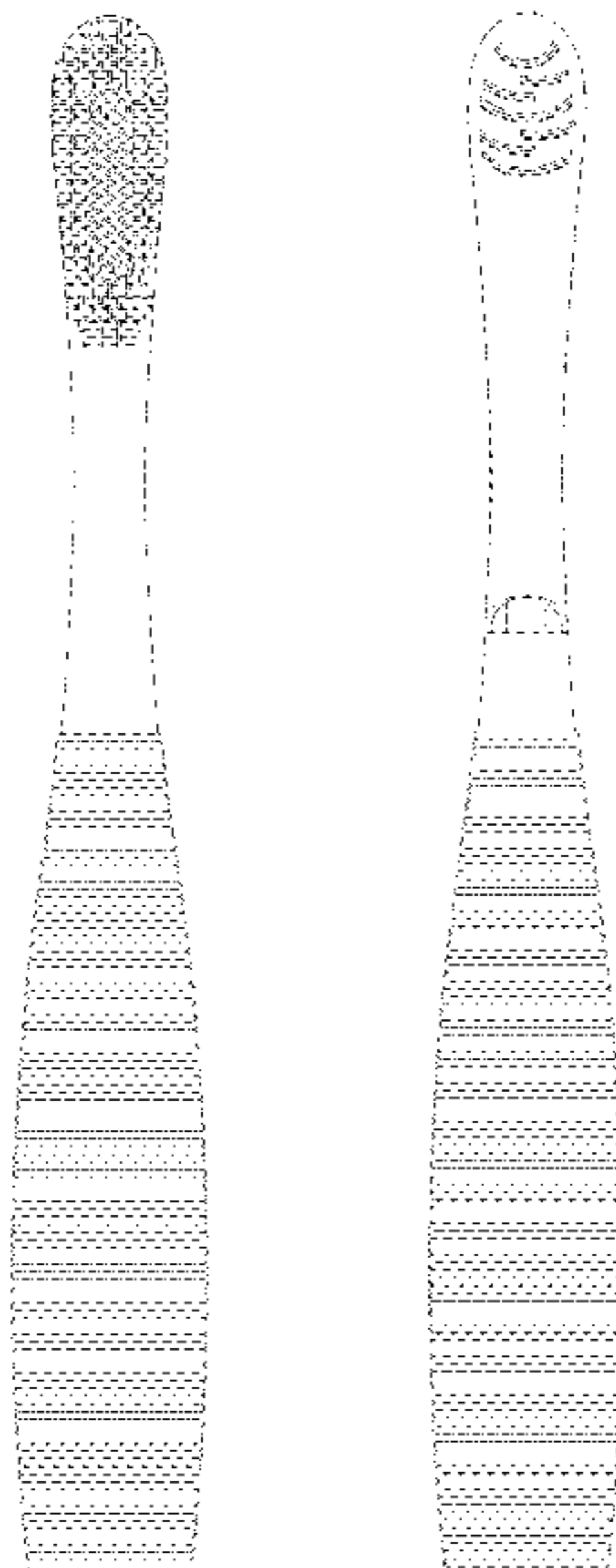
(57) **CLAIM**

The ornamental design for a toothbrush, as shown.

DESCRIPTION

FIG. 1 is a front elevational view of a toothbrush showing my new design;
 FIG. 2 is a rear elevational view thereof;
 FIG. 3 is a left side view thereof;
 FIG. 4 is a right side view thereof;
 FIG. 5 is a top plan view thereof;
 FIG. 6 is a bottom plan view thereof;
 FIG. 7 is a perspective view thereof; and,
 FIG. 8 is another perspective view thereof.

1 Claim, 3 Drawing Sheets



(56)

References Cited

U.S. PATENT DOCUMENTS

2002/0004964 A1* 1/2002 Luchino A46B 3/00
15/167.1
2015/0283401 A1* 10/2015 Cha A46B 15/0036
433/29
2017/0056145 A1* 3/2017 Sedic A61C 17/221

* cited by examiner

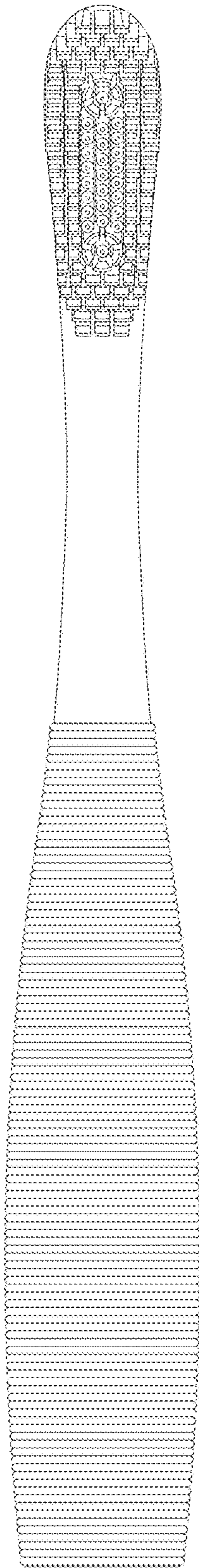


FIG. 1

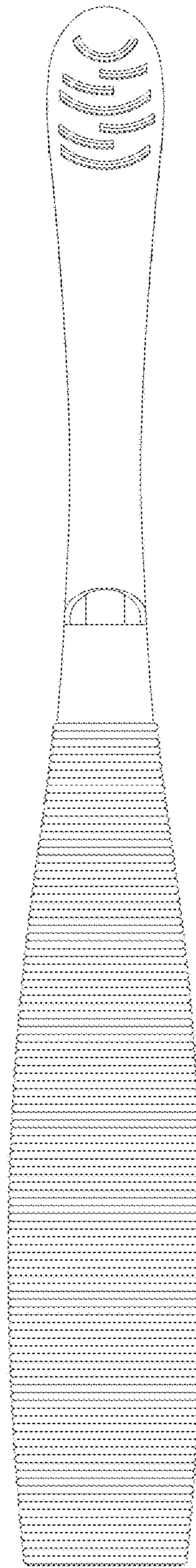


FIG. 2

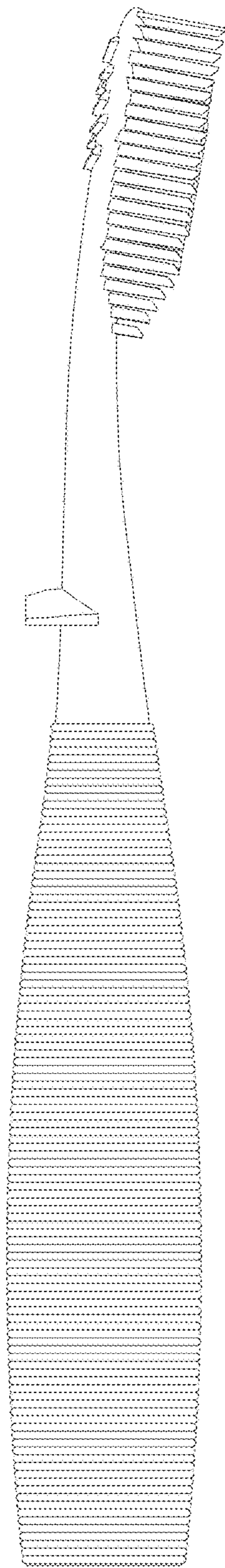


FIG. 3

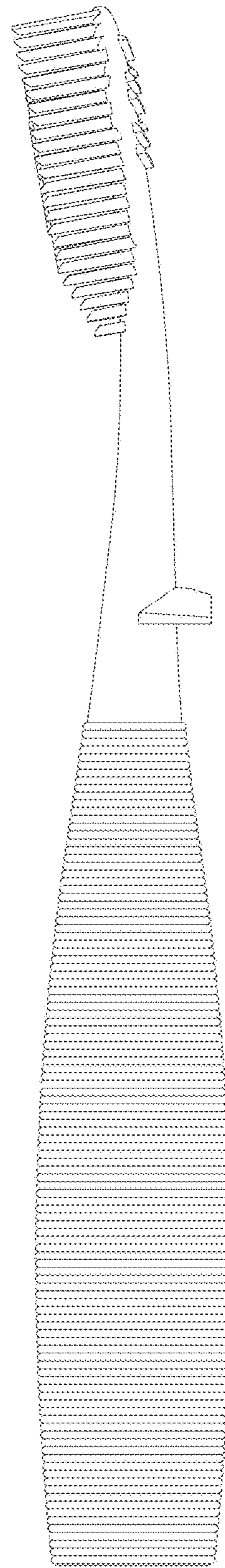


FIG. 4

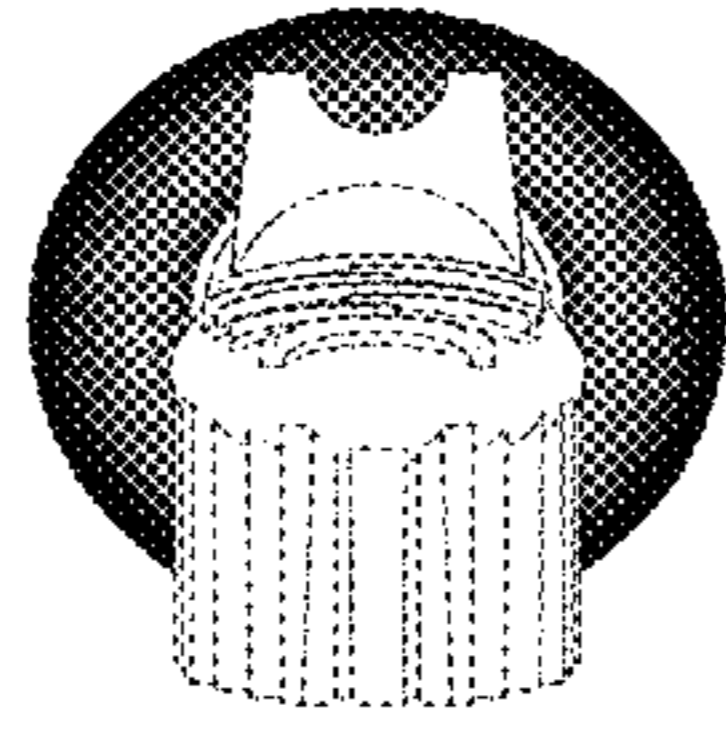


FIG. 5

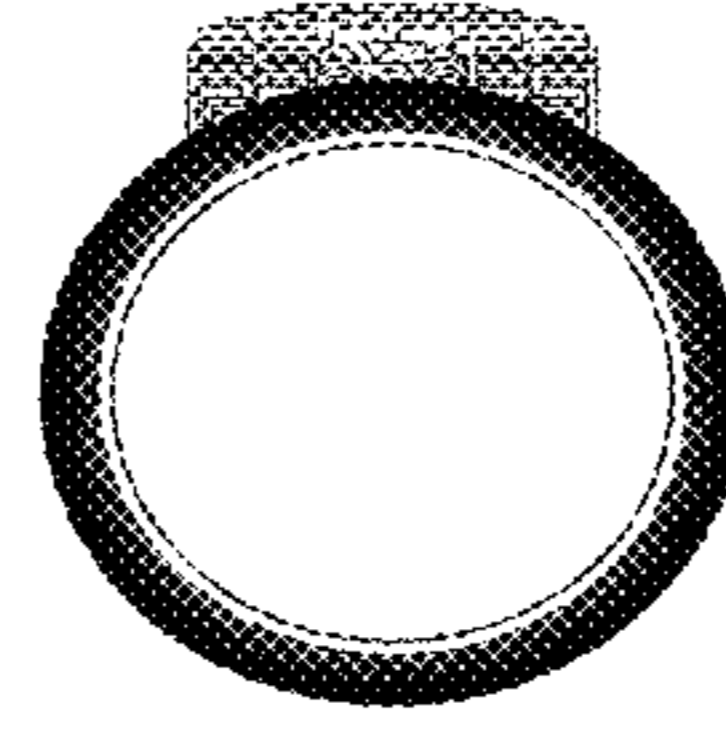


FIG. 6

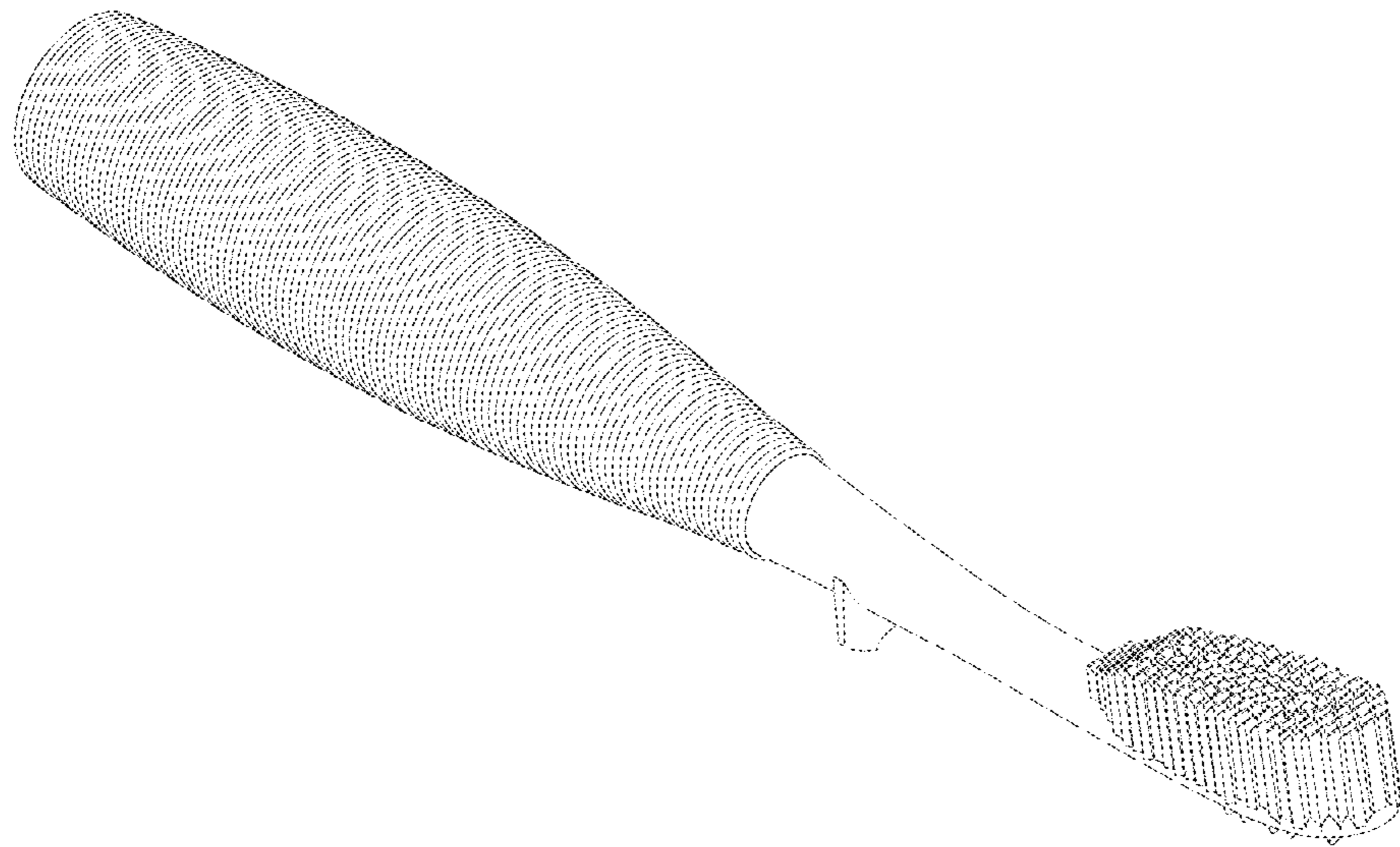


FIG. 7

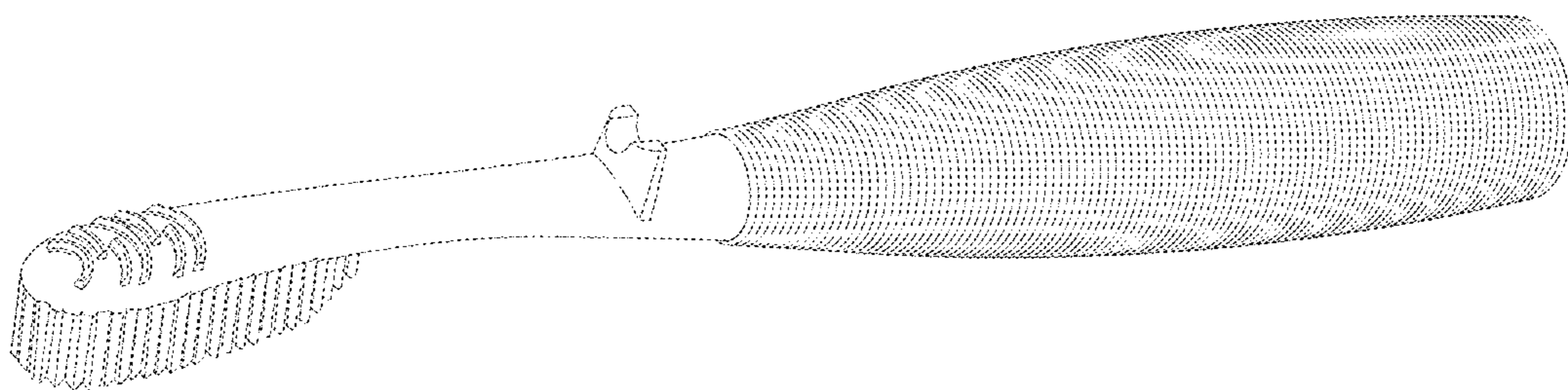


FIG. 8