



US00D790221S

(12) **United States Design Patent**
Yahav et al.

(10) **Patent No.:** **US D790,221 S**

(45) **Date of Patent:** **** Jun. 27, 2017**

(54) **TOOL BOX**

(71) Applicant: **The Stanley Works Israel Ltd.**, Rosh Ha' Ayin (IL)

(72) Inventors: **Michal Yahav**, Hod Hasharon (IL); **Elad Hay Shitrit**, Tel Aviv (IL); **Danny Baruch**, Lapid (IL); **Mickey Menirom**, Raanana (IL)

(73) Assignee: **The Stanley Works Israel Ltd.**, Rosh Ha' Ayin (IL)

(**) Term: **15 Years**

(21) Appl. No.: **29/544,435**

(22) Filed: **Nov. 3, 2015**

(51) **LOC (10) Cl.** **03-01**

(52) **U.S. Cl.**
USPC **D3/294**

(58) **Field of Classification Search**
USPC D3/276, 279, 281–282
CPC ... B25H 3/02; B25H 3/04; B25H 3/06; B25H 3/21–3/23; B25H 3/25–3/28; B25H 3/003
See application file for complete search history.

(56) **References Cited**

U.S. PATENT DOCUMENTS

D703,436 S * 4/2014 Sabbag D3/281
D710,099 S * 8/2014 Horovitz D3/279

D711,105 S * 8/2014 Brunner D3/281
D719,352 S * 12/2014 Shitrit D3/282
D738,106 S * 9/2015 Shitrit D3/276
9,156,156 B2 * 10/2015 Wang B25H 3/021
D742,640 S * 11/2015 Sabbag D3/281
D753,394 S * 4/2016 Brunner D3/276
D753,396 S * 4/2016 Brunner D3/281

* cited by examiner

Primary Examiner — Holly Baynham

(74) *Attorney, Agent, or Firm* — Gabriel A. Haboubi

(57) **CLAIM**

The ornamental design for a tool box, as shown and described.

DESCRIPTION

FIG. 1 is a front view of an embodiment of our new design having a closed lid.

FIG. 2 is a top view thereof.

FIG. 3 is a right side view thereof.

FIG. 4 is a back view thereof.

FIG. 5 is a perspective view thereof.

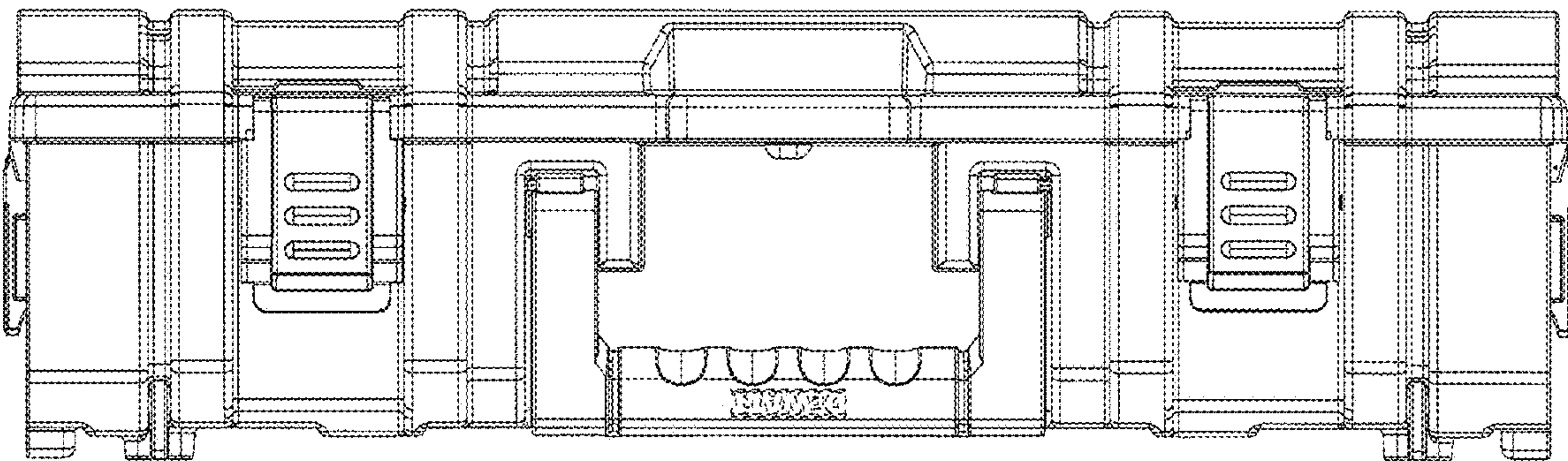
FIG. 6 is a right side view thereof.

FIG. 7 is a bottom view thereof; and,

FIG. 8 is another perspective view of the illustrated embodiment.

The broken lines shown are for the purposes of illustrating the environment of the article only and form no part of the claimed design.

1 Claim, 8 Drawing Sheets



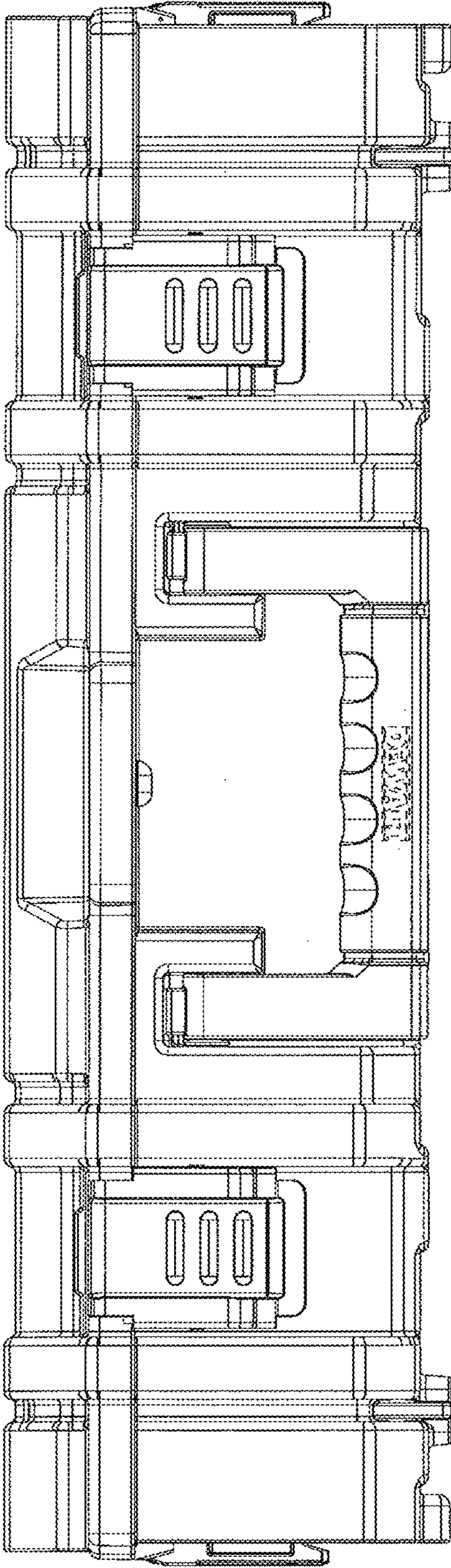


FIG. 1

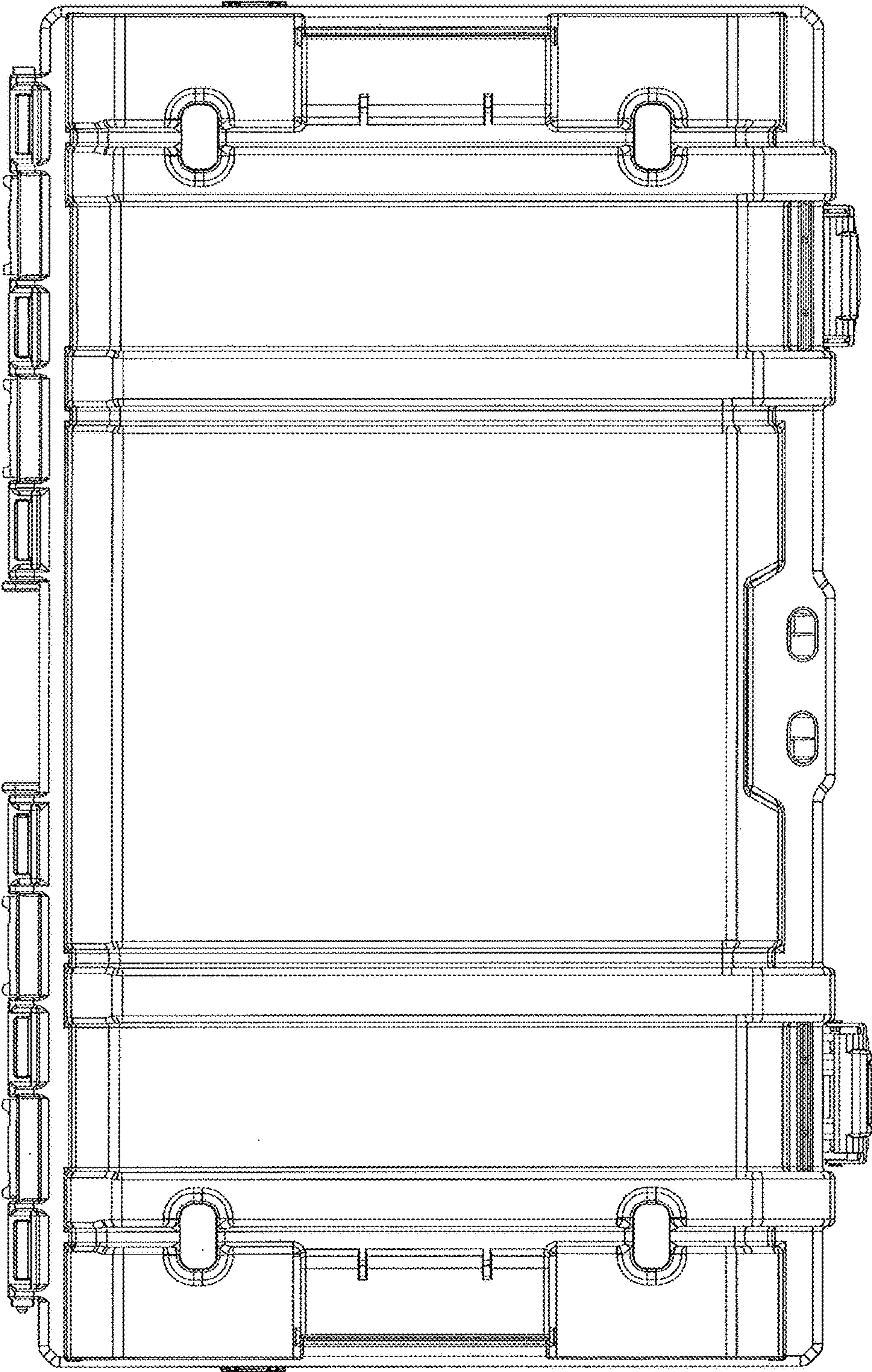


FIG. 2

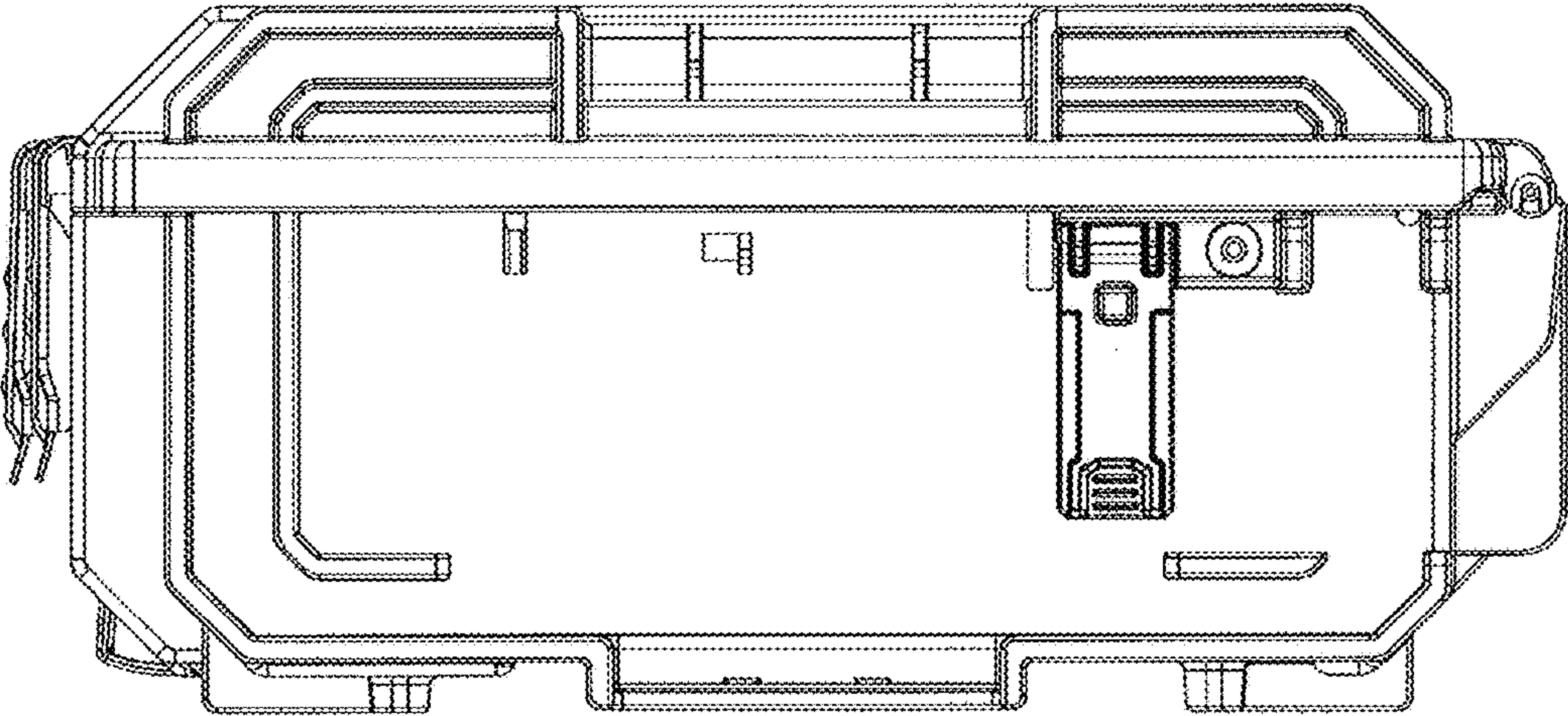


FIG. 3

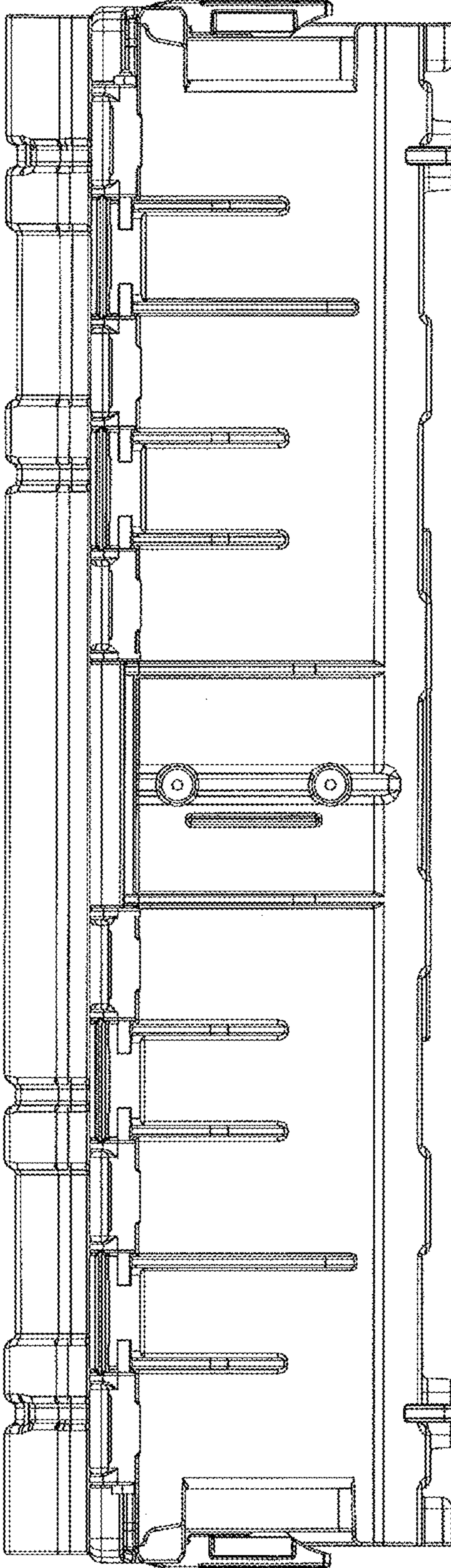


FIG. 4

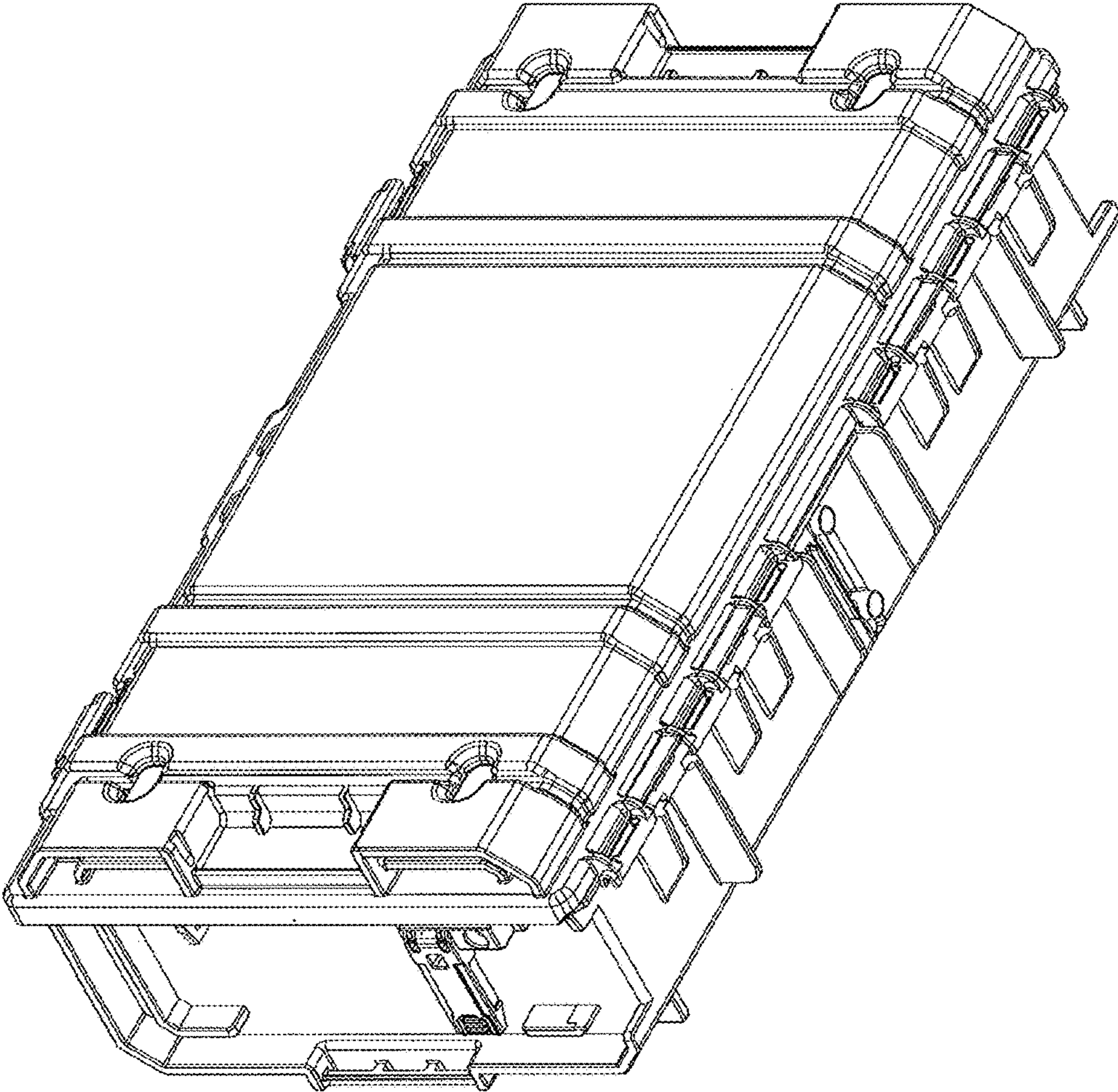


FIG. 5

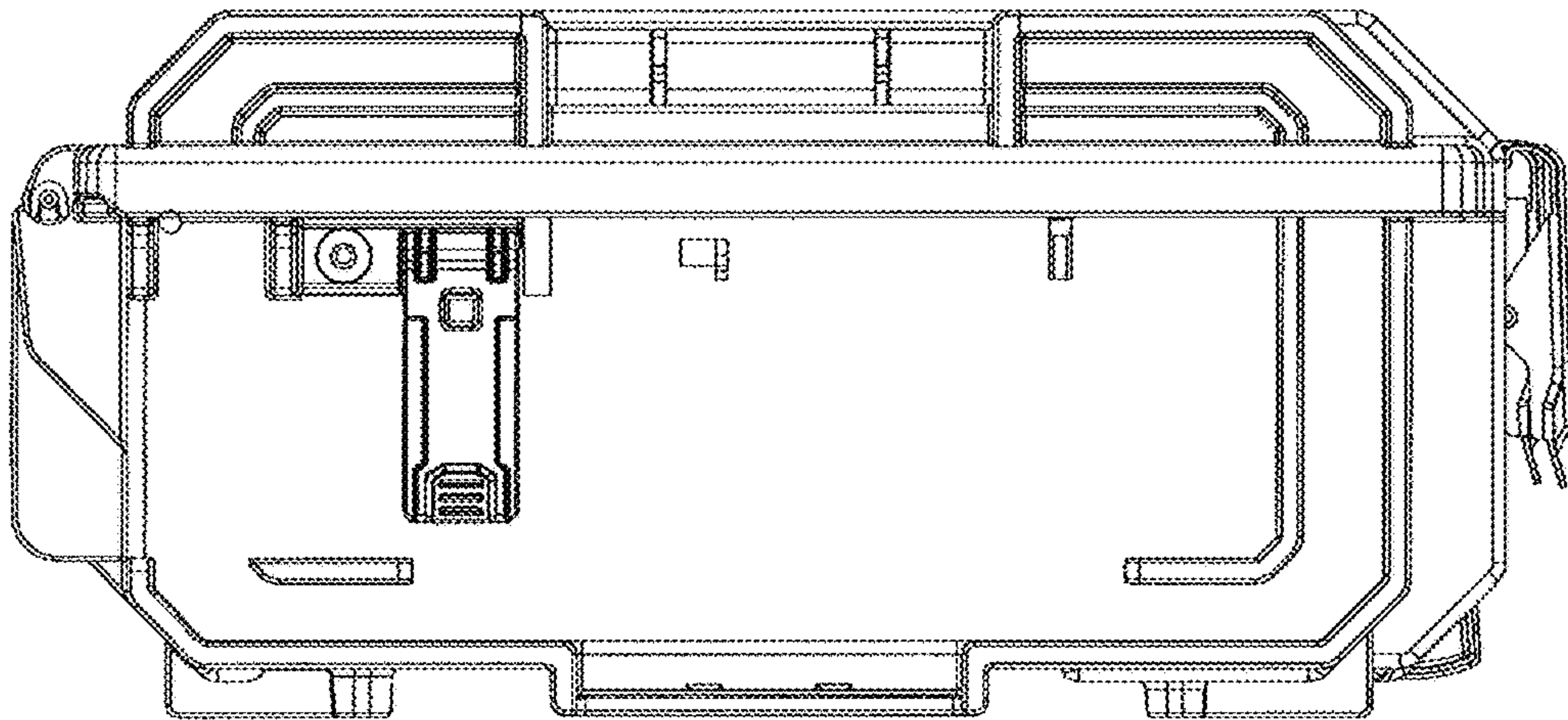


FIG. 6

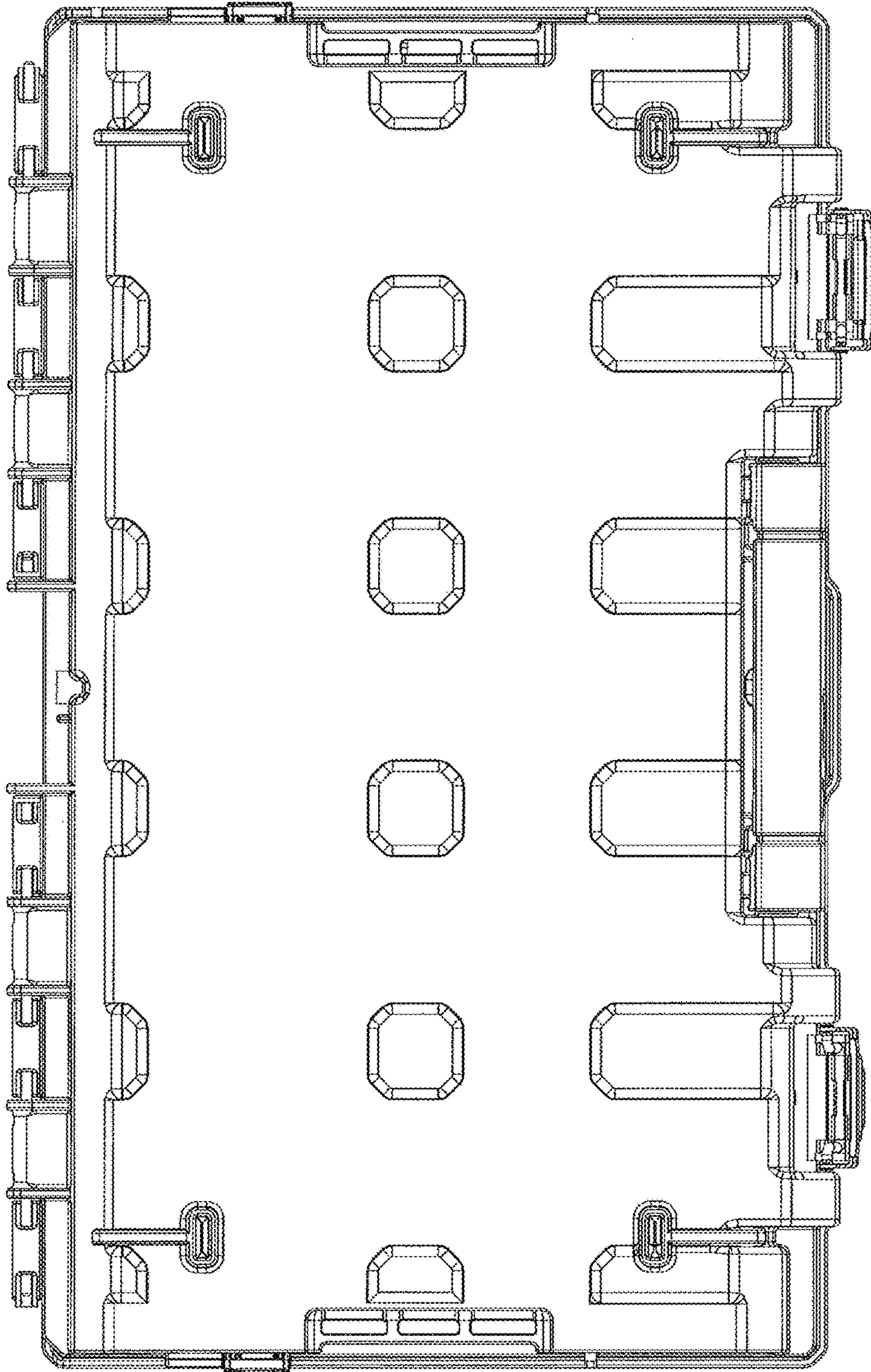


FIG. 7

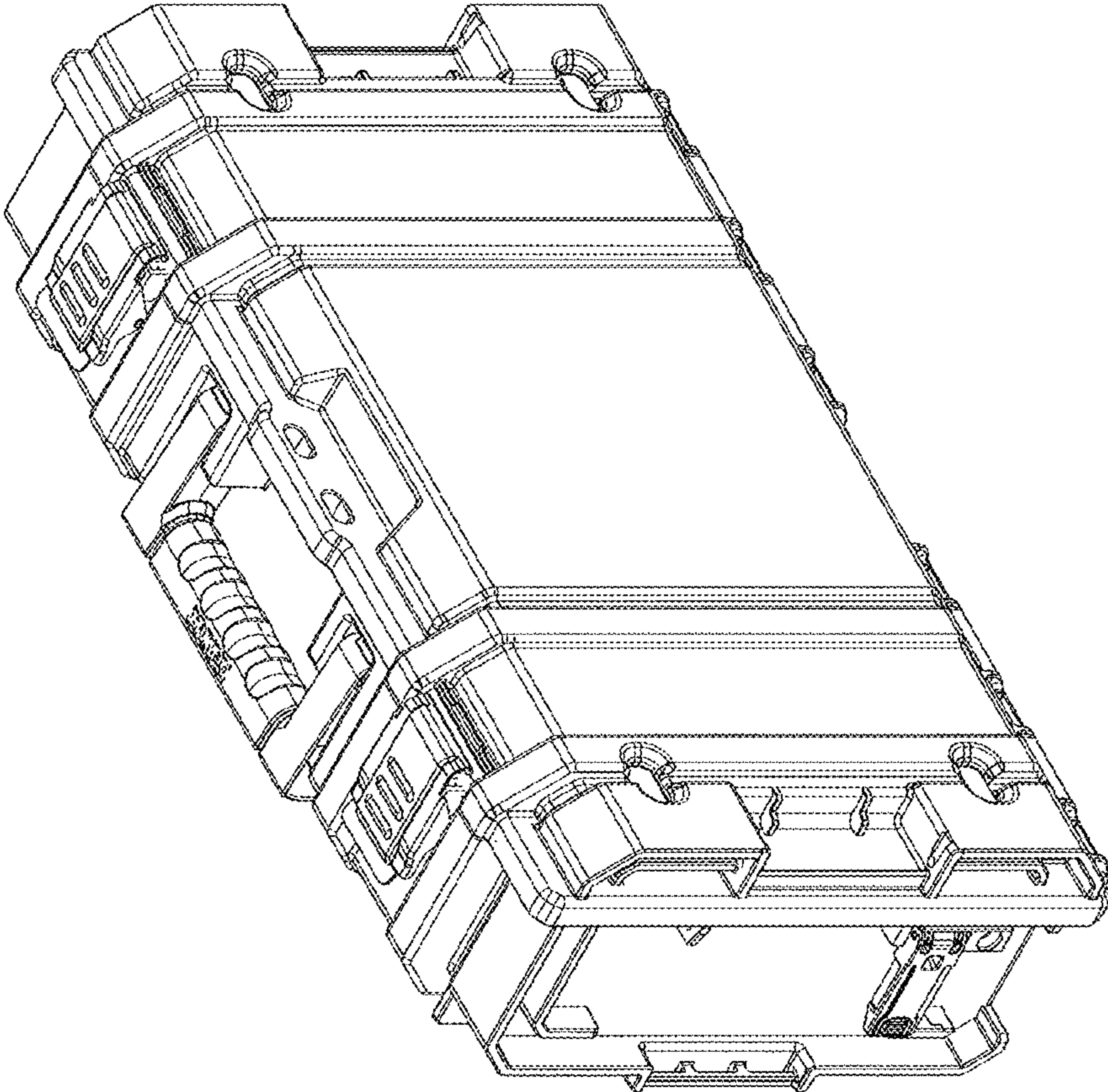


FIG. 8