



US00D790218S

(12) **United States Design Patent**
Zimmer

(10) **Patent No.:** **US D790,218 S**

(45) **Date of Patent:** **** Jun. 27, 2017**

(54) **INSIDE THE WAISTBAND CARRIAGE SYSTEM**

(74) *Attorney, Agent, or Firm* — Asgaard Patent Services, LLC; F. Wayne Thompson, Jr.

(71) Applicant: **Trent Zimmer**, Houma, LA (US)

(57) **CLAIM**

(72) Inventor: **Trent Zimmer**, Houma, LA (US)

The ornamental design for an inside the waistband carriage system, as shown and described.

(**) Term: **15 Years**

DESCRIPTION

(21) Appl. No.: **29/563,821**

FIG. 1 is an isometric view of an inside the waistband carriage system in accordance with the present invention, wherein a magazine for a firearm and a tourniquet are secured therein;

(22) Filed: **May 9, 2016**

FIG. 2 is an isometric view of the inside the waistband carriage system shown in FIG. 1 without a magazine for a firearm or a tourniquet secured therein;

(51) **LOC (10) Cl.** **03-01**

(52) **U.S. Cl.**

USPC **D3/262**

(58) **Field of Classification Search**

USPC D3/221, 222–223, 225, 230, 226, 262; D22/108; 224/245, 222, 240, 253, 267, 224/681–682, 684, 901, 901.4, 183, 224/191–193, 198, 238–239, 243–244, 224/587, 911–912, 931

CPC A45F 5/00; A45F 5/02; A45F 5/021; A45F 2200/0591; F41C 33/02; F42B 39/02

See application file for complete search history.

FIG. 3 is a rear view of the inside the waistband carriage system shown in FIG. 2;

FIG. 4 is a top view of the inside the waistband carriage system shown in FIG. 2;

FIG. 5 is a front view of the inside the waistband carriage system shown in FIG. 2;

FIG. 6 is a right side view of the inside the waistband carriage system shown in FIG. 2;

FIG. 7 is a left side view of the inside the waistband carriage system shown in FIG. 2; and,

FIG. 8 is a bottom view of the inside the waistband carriage system shown in FIG. 2.

The portions of the inside the waistband carriage system shown in broken lines with shorter segments are for illustrative purposes only and form no part of the claimed design. In FIG. 1, the magazine for a firearm and the tourniquet shown in broken lines with shorter segments are for illustrative purposes only and form no part of the claimed design. The portions of the inside the waistband carriage system shown in broken lines with longer segments represent stitching.

(56) **References Cited**

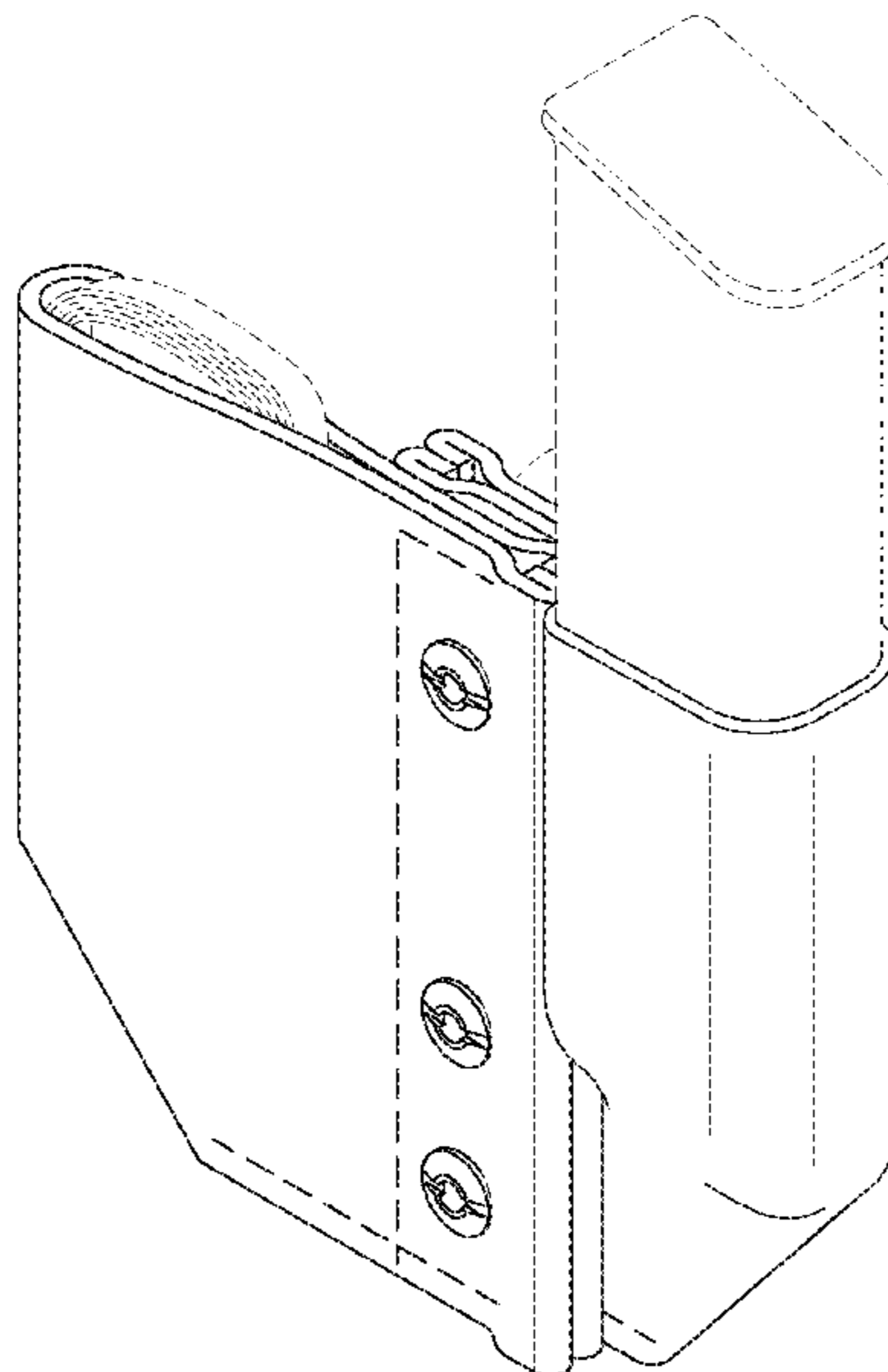
U.S. PATENT DOCUMENTS

| | | | | |
|----------------|--------|----------|-------|------------|
| D413,644 S * | 9/1999 | Carver | | D22/108 |
| D574,147 S * | 8/2008 | Zusman | | D3/222 |
| D642,793 S * | 8/2011 | Rogers | | F42B 39/00 |
| | | | | D3/222 |
| 8,104,656 B1 * | 1/2012 | George | | A45F 5/021 |
| | | | | 224/239 |
| D725,382 S * | 3/2015 | Gazso | | D3/222 |
| D749,840 S * | 2/2016 | Laemmlen | | D3/221 |
| D764,788 S * | 8/2016 | Beard | | D3/222 |

* cited by examiner

Primary Examiner — Catheri Oliver-Garcia

1 Claim, 5 Drawing Sheets



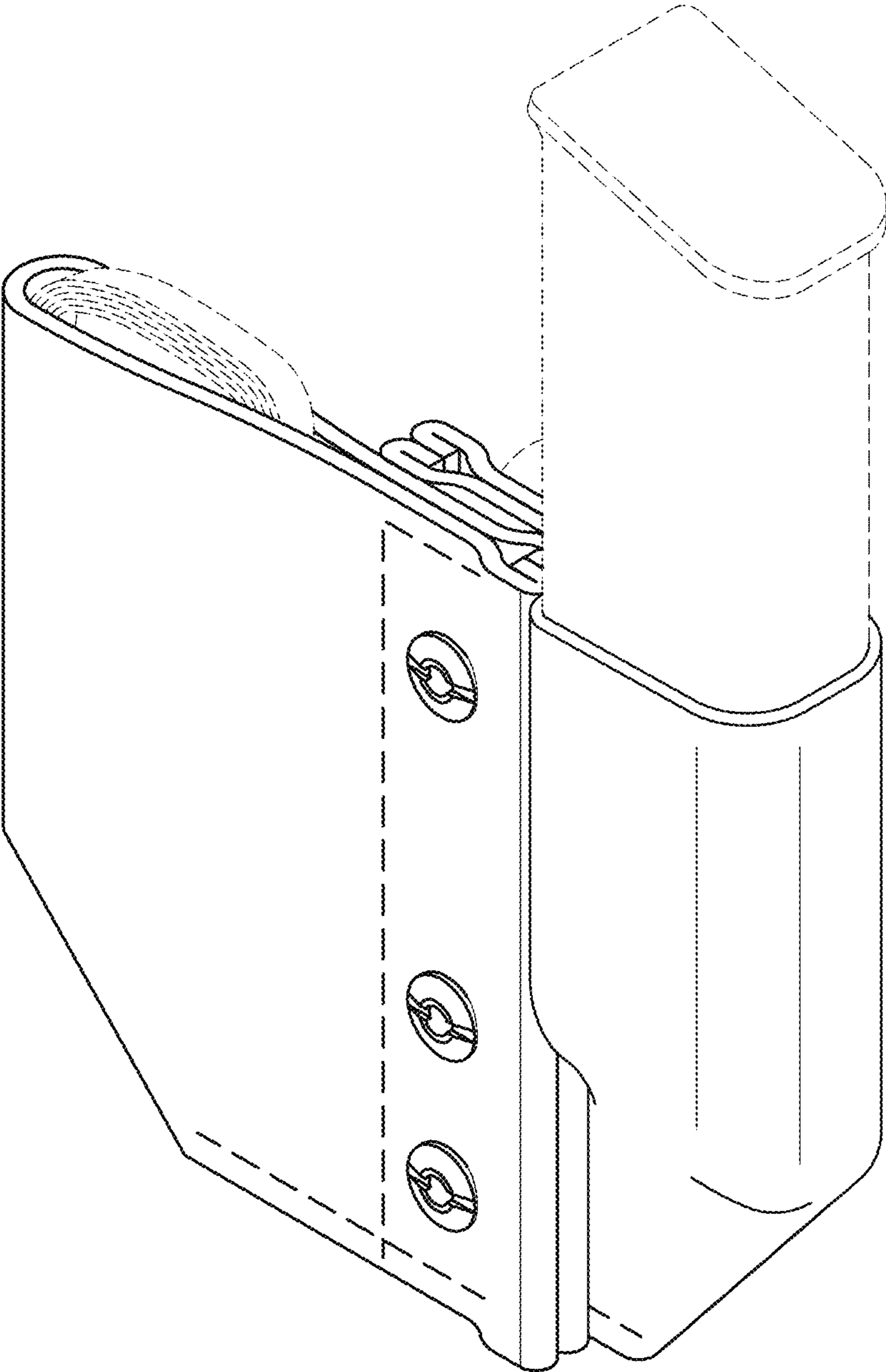


FIG. 1

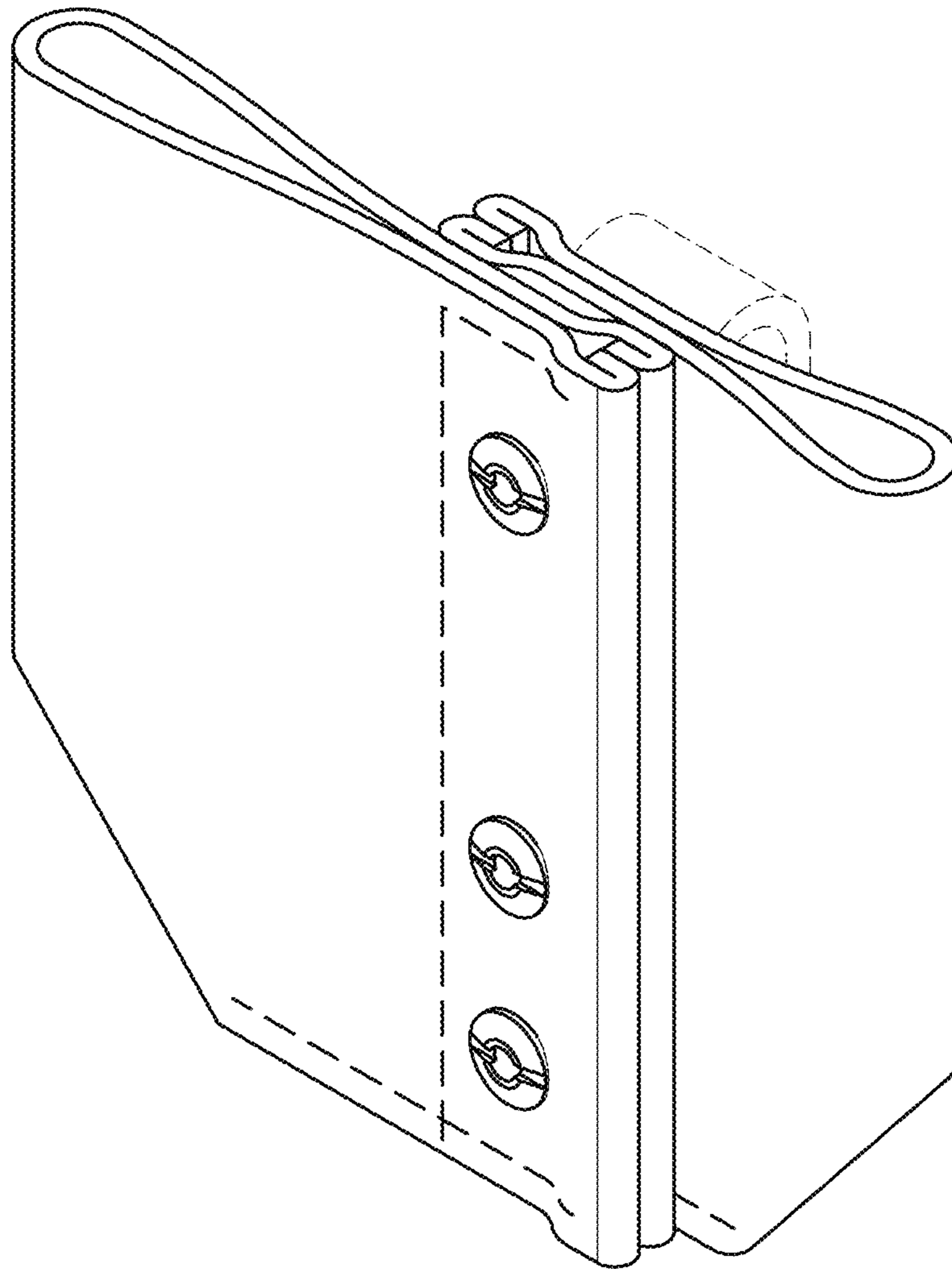


FIG. 2

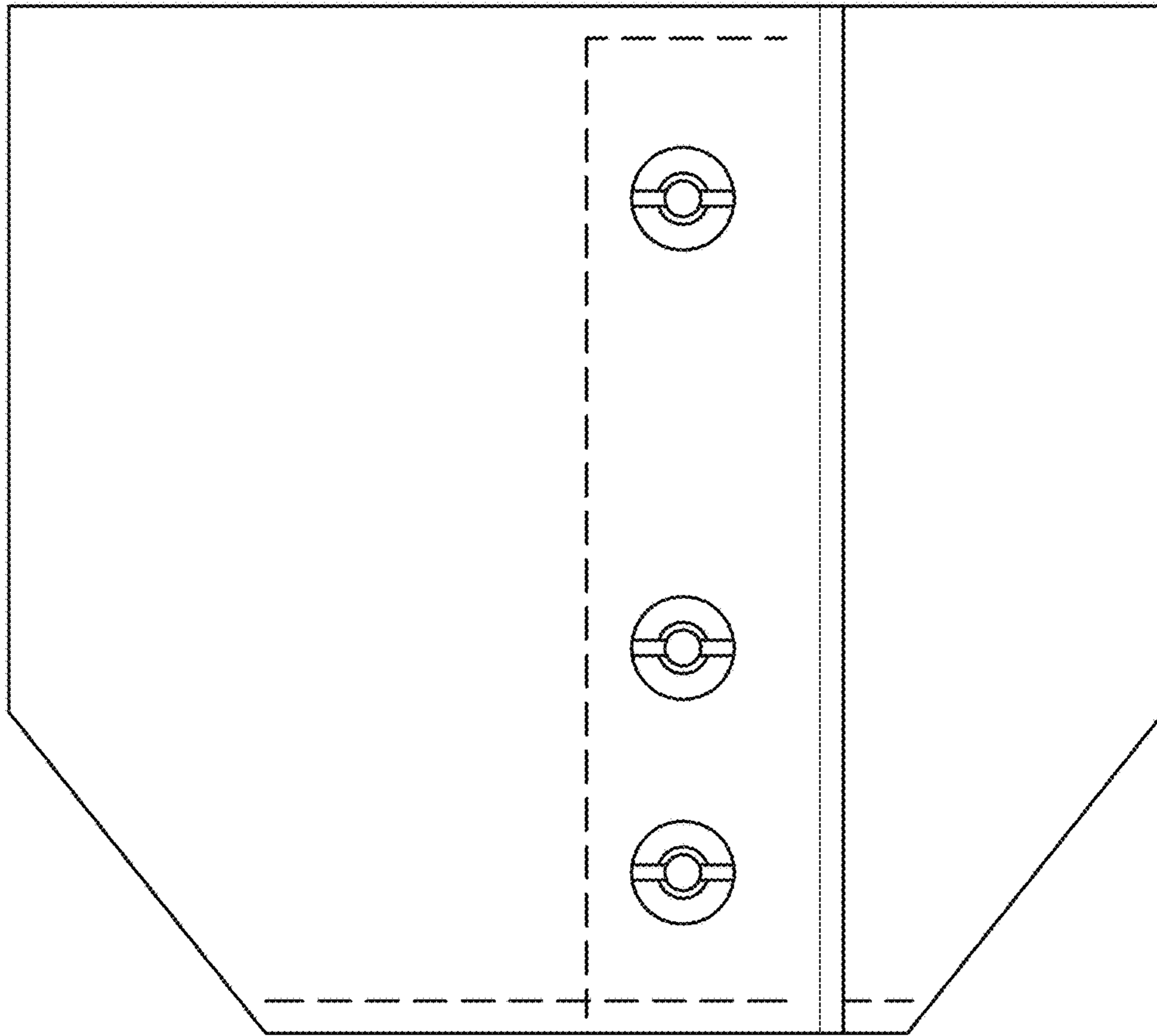


FIG. 3

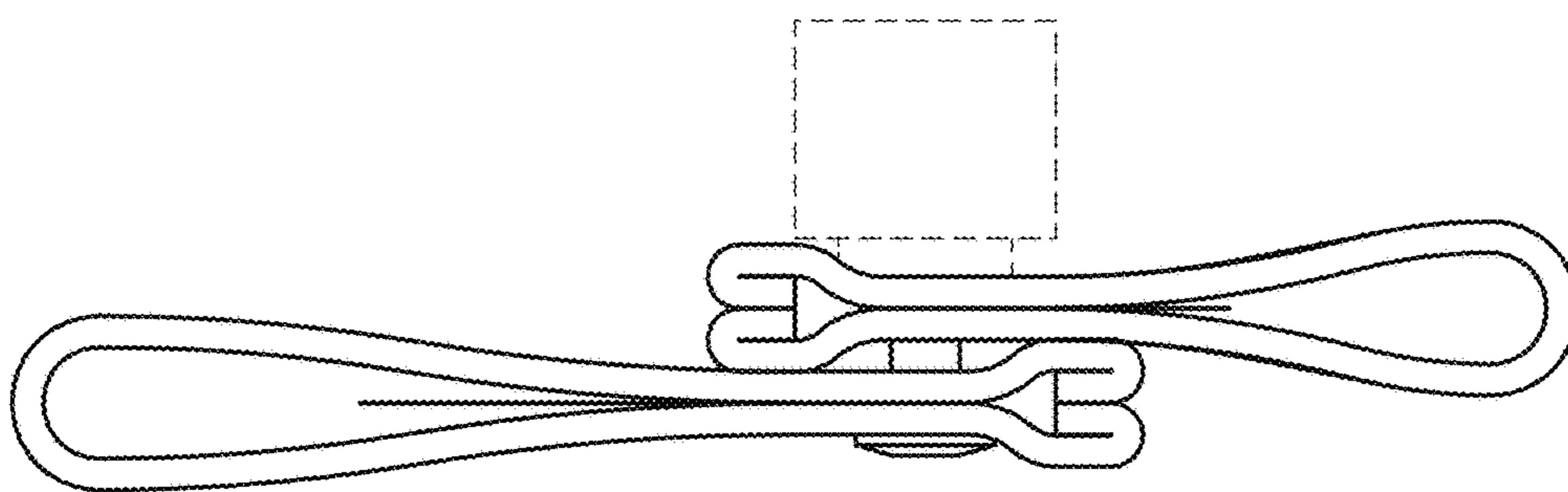


FIG. 4

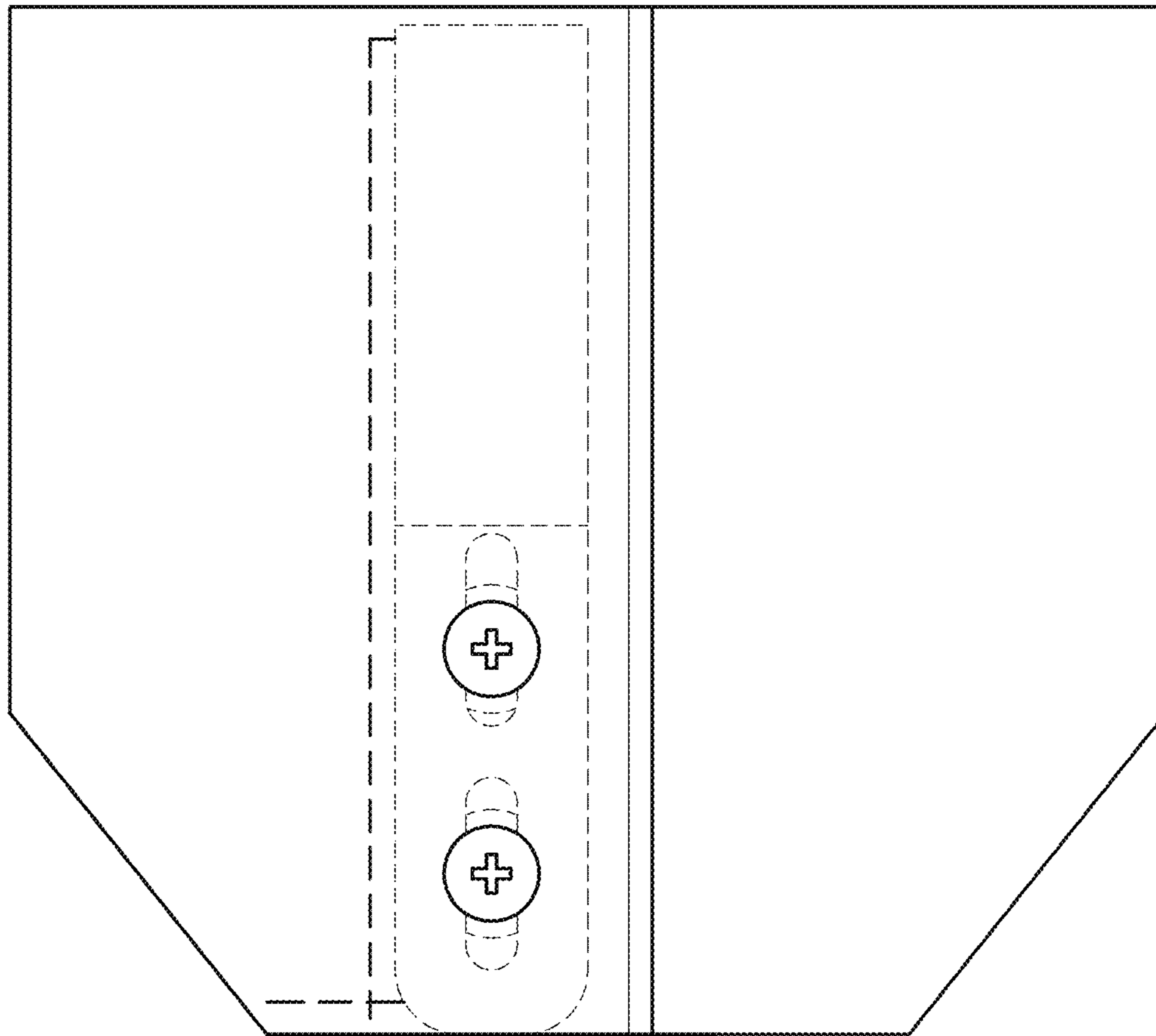


FIG. 5

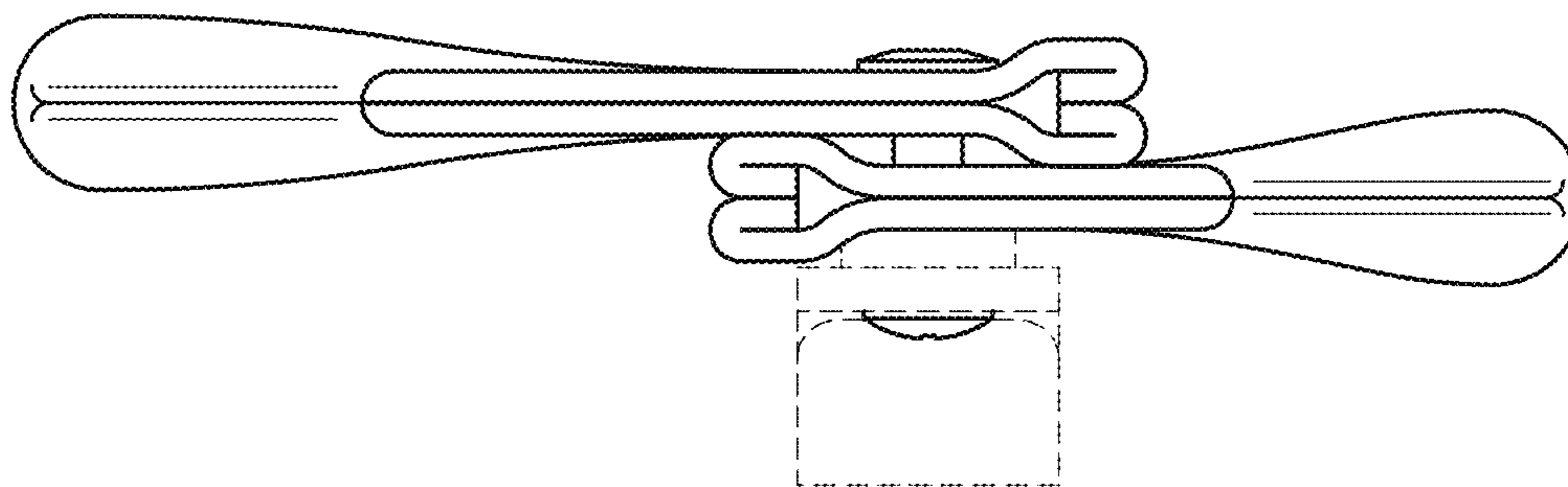


FIG. 8

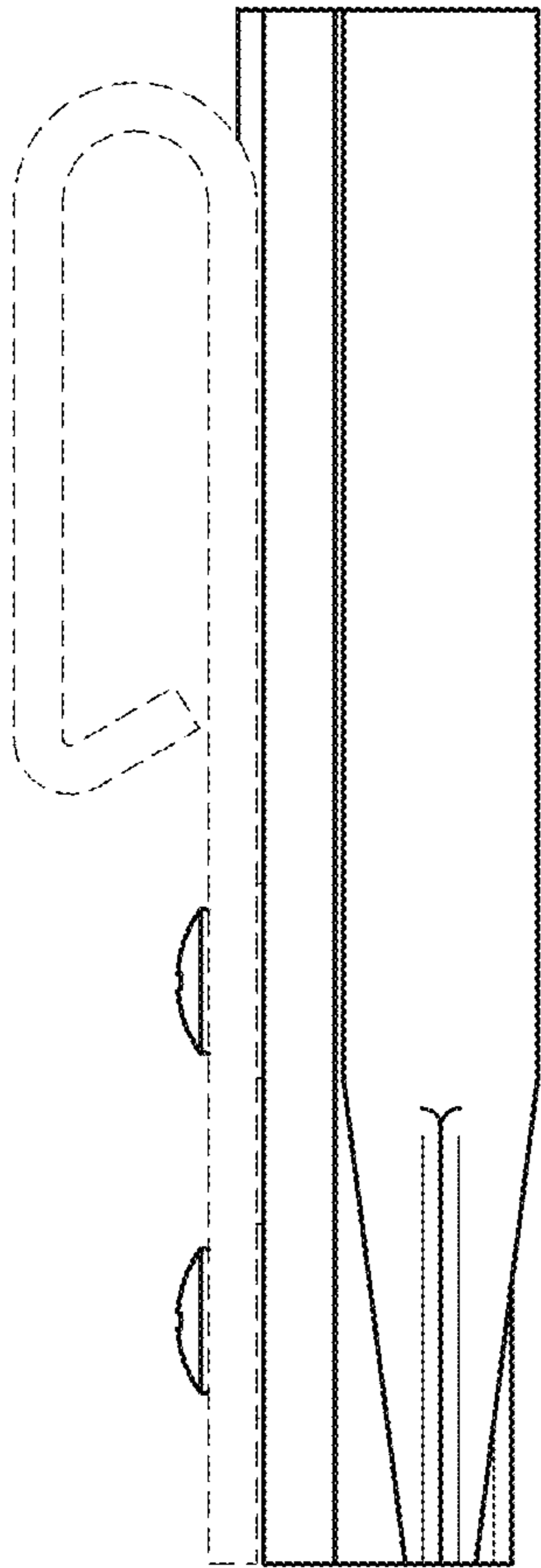


FIG. 6

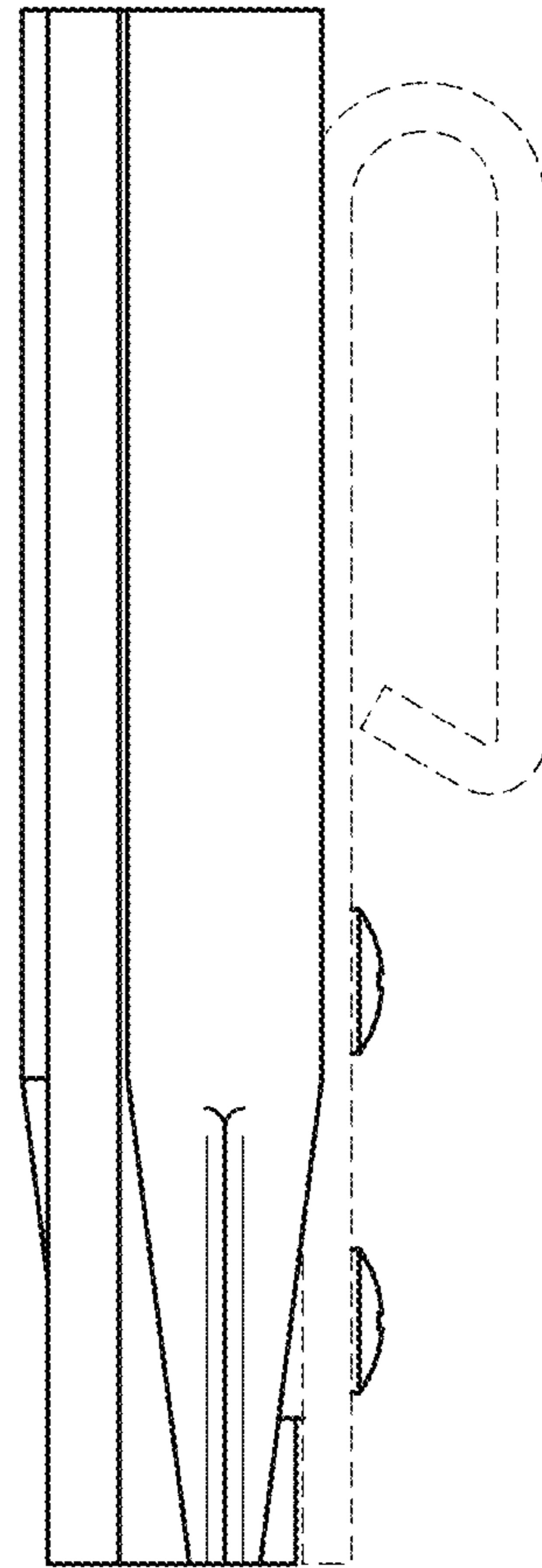


FIG. 7