



US00D790216S

(12) **United States Design Patent**  
**DeChant**

(10) **Patent No.:** **US D790,216 S**  
(45) **Date of Patent:** **\*\* Jun. 27, 2017**

(54) **HORIZONTAL BIFOLD CELL PHONE WALLET**

D134,884 S 1/1943 Engelstein  
D178,800 S 9/1956 McKinnon  
D185,056 S 5/1959 Arkin

(Continued)

(71) Applicant: **Daniel A. DeChant**, Madison, WI (US)

(72) Inventor: **Daniel A. DeChant**, Madison, WI (US)

(\*\*) Term: **15 Years**

(21) Appl. No.: **29/557,783**

(22) Filed: **Mar. 11, 2016**

FOREIGN PATENT DOCUMENTS

CA 134785 10/2010  
DE 197428065 U 11/1974

(Continued)

*Primary Examiner* — Holly Baynham

(57) **CLAIM**

The ornamental design for a horizontal bifold cell phone wallet, as shown and described.

**DESCRIPTION**

FIG. 1 is a perspective view of a horizontal bifold cell phone wallet with interior framed pockets according to one embodiment showing my new design;  
FIG. 2 is a front view thereof;  
FIG. 3 is a rear view thereof;  
FIG. 4 is a left side view thereof;  
FIG. 5 is a right side view thereof;  
FIG. 6 is a top view thereof;  
FIG. 7 is a bottom view thereof;  
FIG. 8 is a perspective view of the horizontal bifold cell phone wallet with interior framed pockets in an open condition;  
FIG. 9 is a front view thereof;  
FIG. 10 is a rear view thereof;  
FIG. 11 is a left side view thereof;  
FIG. 12 is a right side view thereof;  
FIG. 13 is a top view thereof; and,  
FIG. 14 is a bottom view thereof.

The present application is directed to the design illustrated in the drawings. The broken lines showing portions of the cell phone wallet are for purposes of illustrating environment and forms no part of the claimed design.

**1 Claim, 10 Drawing Sheets**

**Related U.S. Application Data**

(63) Continuation of application No. 29/520,710, filed on Mar. 17, 2015, now Pat. No. Des. 754,434, which is a continuation of application No. 29/449,451, filed on Mar. 15, 2013, now Pat. No. Des. 728,228.

(51) **LOC (10) Cl.** ..... **03-01**

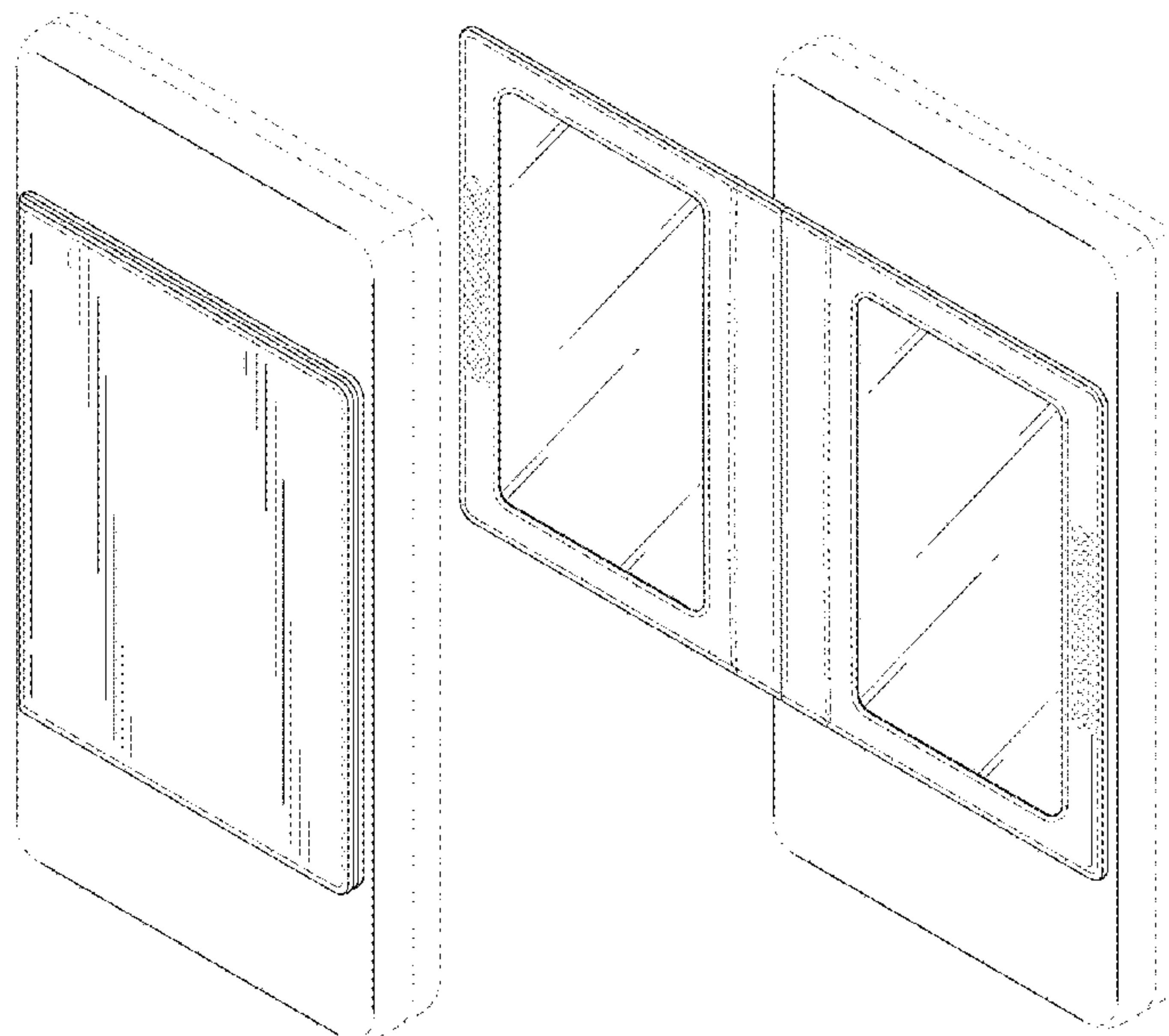
(52) **U.S. Cl.**  
USPC ..... **D3/247**

(58) **Field of Classification Search**  
USPC ..... D3/247, 249–253  
CPC ..... A45C 1/06; A45C 3/08  
See application file for complete search history.

(56) **References Cited**

U.S. PATENT DOCUMENTS

D13,040 S 7/1882 Brueck  
658,394 A 9/1900 Peters  
833,834 A 10/1906 Hille  
940,853 A 11/1909 Cardwell  
1,035,945 A 8/1912 Cardwell  
1,035,946 A 8/1912 Cardwell  
1,073,768 A 9/1913 Loveland  
D45,677 S 4/1914 Shick  
1,269,247 A 6/1918 Aslin  
1,582,492 A 4/1926 Tantlinger  
D101,819 S 11/1936 Miller  
D112,415 S 11/1938 Zumft



(56)

References Cited

U.S. PATENT DOCUMENTS

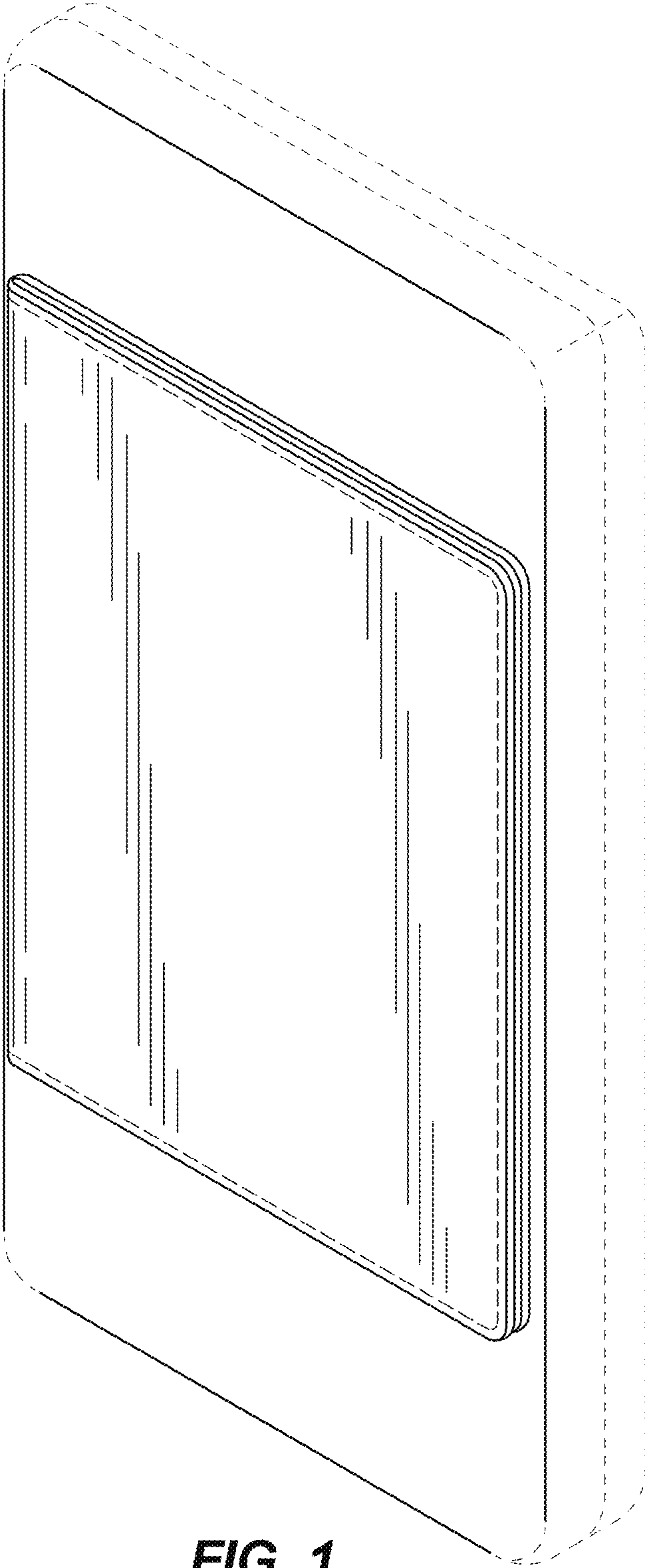
3,162,227	A	12/1964	Bakken
1,671,297	A	2/1968	Levi
3,370,777	A	2/1968	Levi
D255,509	S	6/1980	Nathan et al.
4,388,734	A	6/1983	Cowden
D279,423	S	7/1985	Zucker
4,705,086	A	11/1987	O'Neill
D308,887	S	6/1990	Wyant
4,942,913	A	7/1990	Musso
D311,815	S	11/1990	Balsley
D314,213	S	1/1991	Bishop
D334,588	S	4/1993	Okola
D340,355	S	10/1993	Little
D342,829	S	1/1994	Mitchell
D410,774	S	6/1999	Inbert
D434,899	S	12/2000	Kojoori
D435,339	S	12/2000	Cleveland
D435,340	S	12/2000	Kojoori
6,427,836	B1	8/2002	Bolanos
D471,704	S	3/2003	Moore
D510,596	S	10/2005	Ong
D527,899	S	9/2006	Morehead
7,204,398	B1	4/2007	Smith, Sr.
D551,446	S	9/2007	Elnekaveh
7,496,971	B2	3/2009	Soto
D594,656	S	6/2009	Wills
D608,092	S	1/2010	Holzner et al.
D619,806	S	7/2010	Franks
D633,714	S	3/2011	Marshall
8,047,364	B2	11/2011	Longinotti-Buitoni
8,833,379	B1	9/2014	Kaplan
D727,019	S	4/2015	DeChant
D727,619	S	4/2015	DeChant

D728,229	S	5/2015	DeChant
D728,928	S	5/2015	DeChant
D730,646	S	6/2015	DeChant
D754,433	S *	4/2016	DeChant ..... D3/247
D754,434	S *	4/2016	DeChant ..... D3/247
D755,513	S *	5/2016	DeChant ..... D3/247
D756,641	S *	5/2016	DeChant ..... D3/247
D756,643	S *	5/2016	DeChant ..... D3/247
D764,167	S *	8/2016	DeChant ..... D3/247
2005/0126667	A1	6/2005	Bell
2007/0057004	A1	3/2007	Butler et al.
2007/0232372	A1	10/2007	Plaster
2007/0262112	A1	11/2007	Butler et al.
2008/0006355	A1	1/2008	Gomez Micone
2008/0121322	A1	5/2008	Thomson
2009/0050686	A1	2/2009	Kon et al.
2009/0194571	A1	8/2009	Evans
2011/0030860	A1	2/2011	Allen et al.
2011/0057034	A1	3/2011	Maxwell
2011/0277892	A1	11/2011	Black
2012/0043234	A1	2/2012	Westrup
2012/0050968	A1	3/2012	Child et al.
2012/0168483	A1	7/2012	Jambunathan et al.
2013/0140203	A1	6/2013	Chiang
2014/0262853	A1	9/2014	DeChant

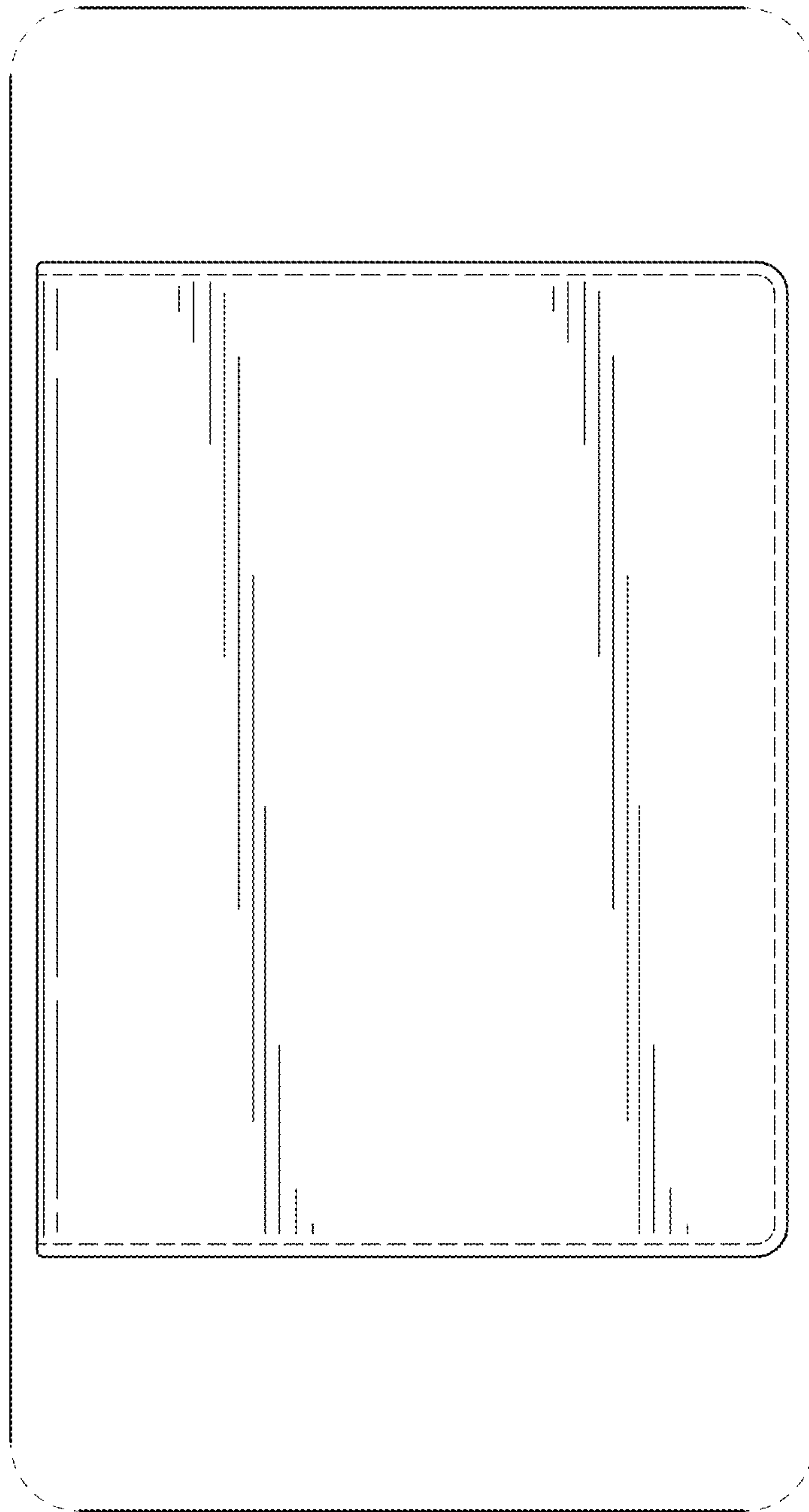
FOREIGN PATENT DOCUMENTS

DE	199107205	U1	7/1991
GB	2145622		4/1985
GB	2070518		11/1997
GB	4019846		5/2011
KR	300268261		6/2000
WO	D073447		3/2010
WO	2012087152		6/2012

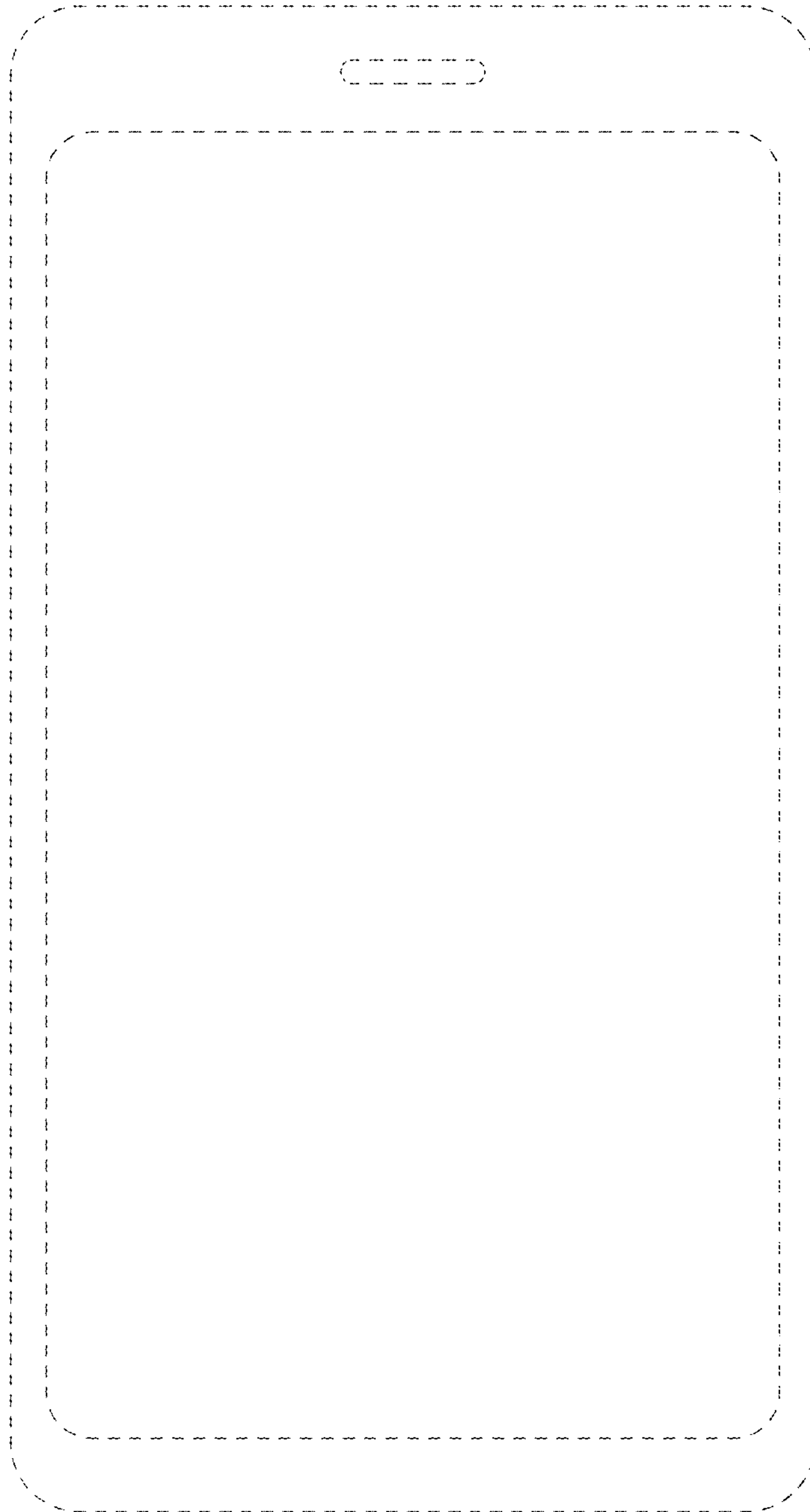
\* cited by examiner



**FIG. 1**

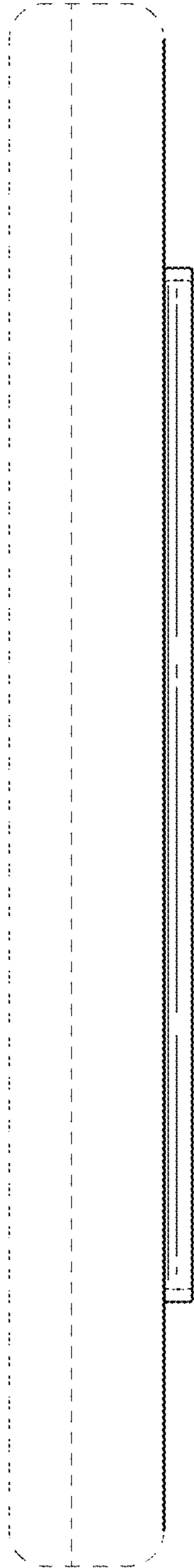


**FIG. 2**

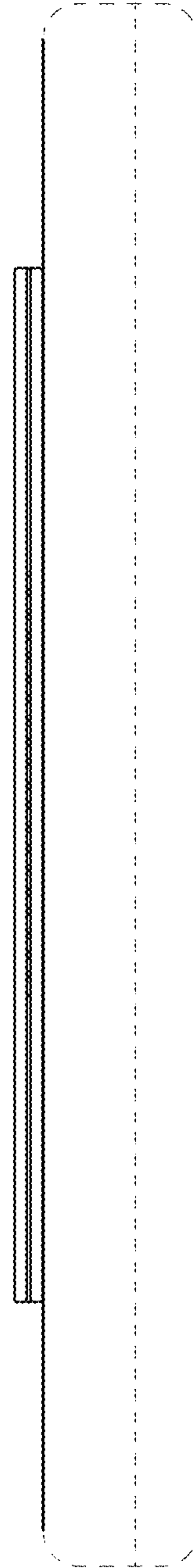


**FIG. 3**

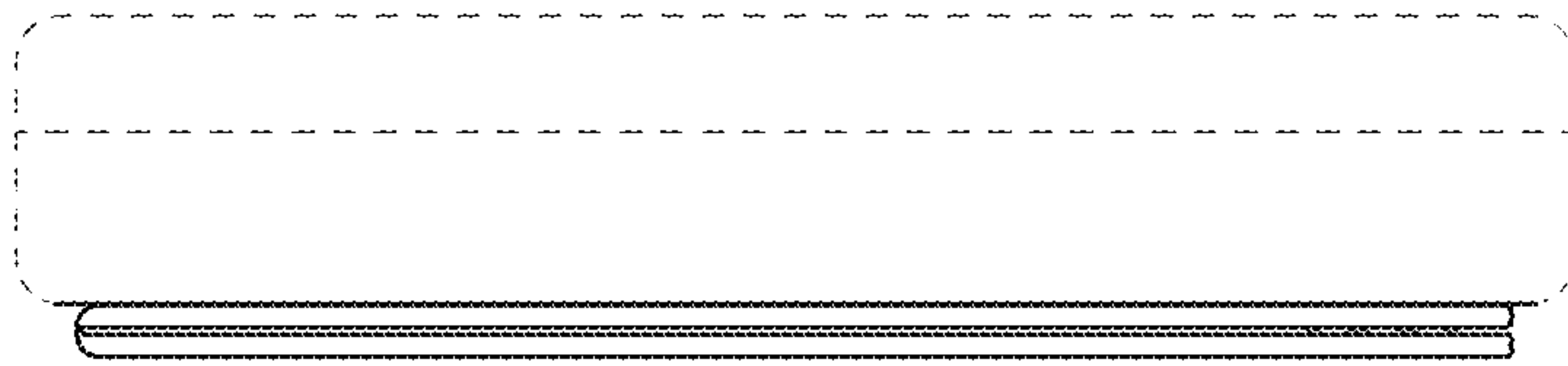




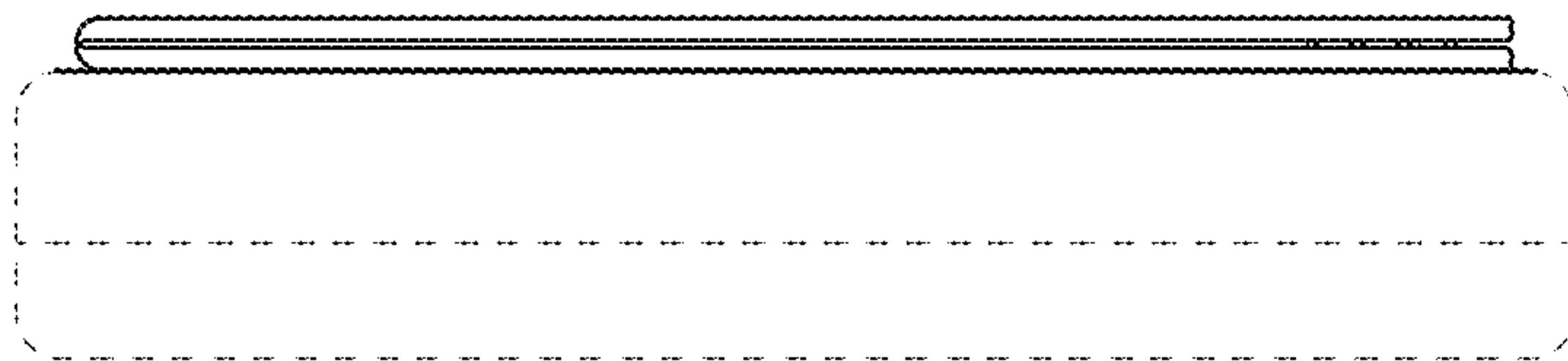
**FIG. 4**



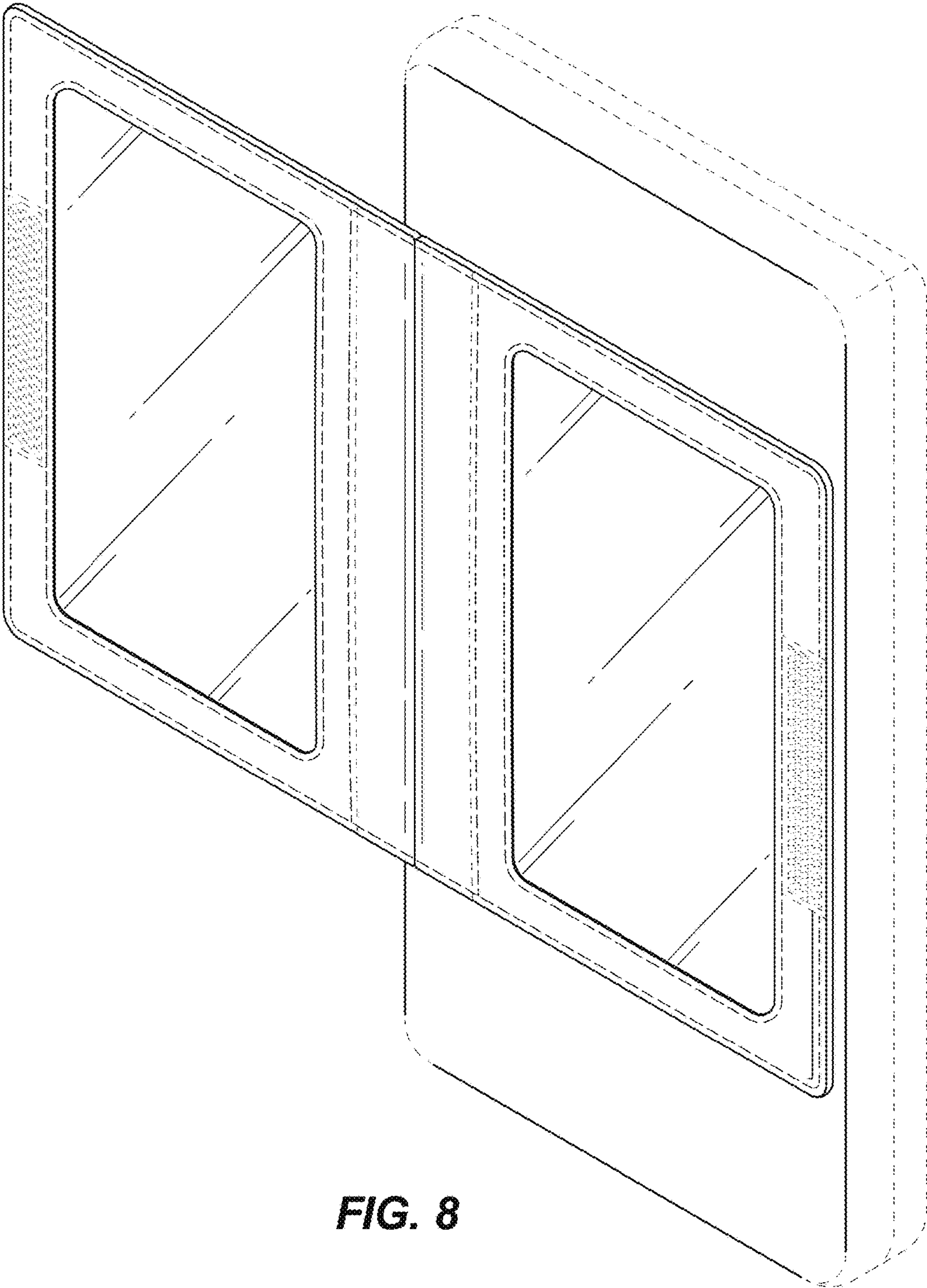
**FIG. 5**



**FIG. 6**



**FIG. 7**



**FIG. 8**



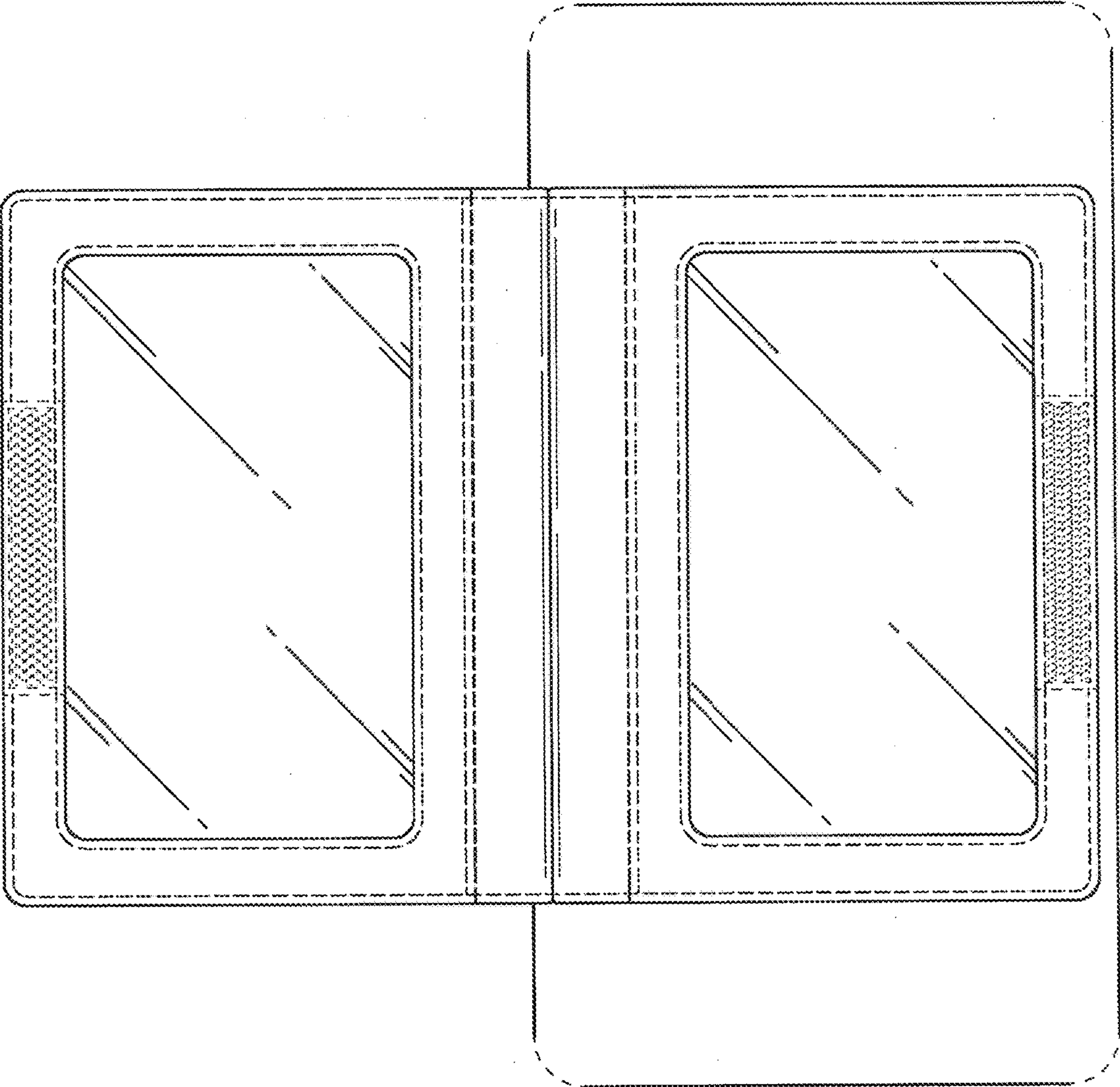
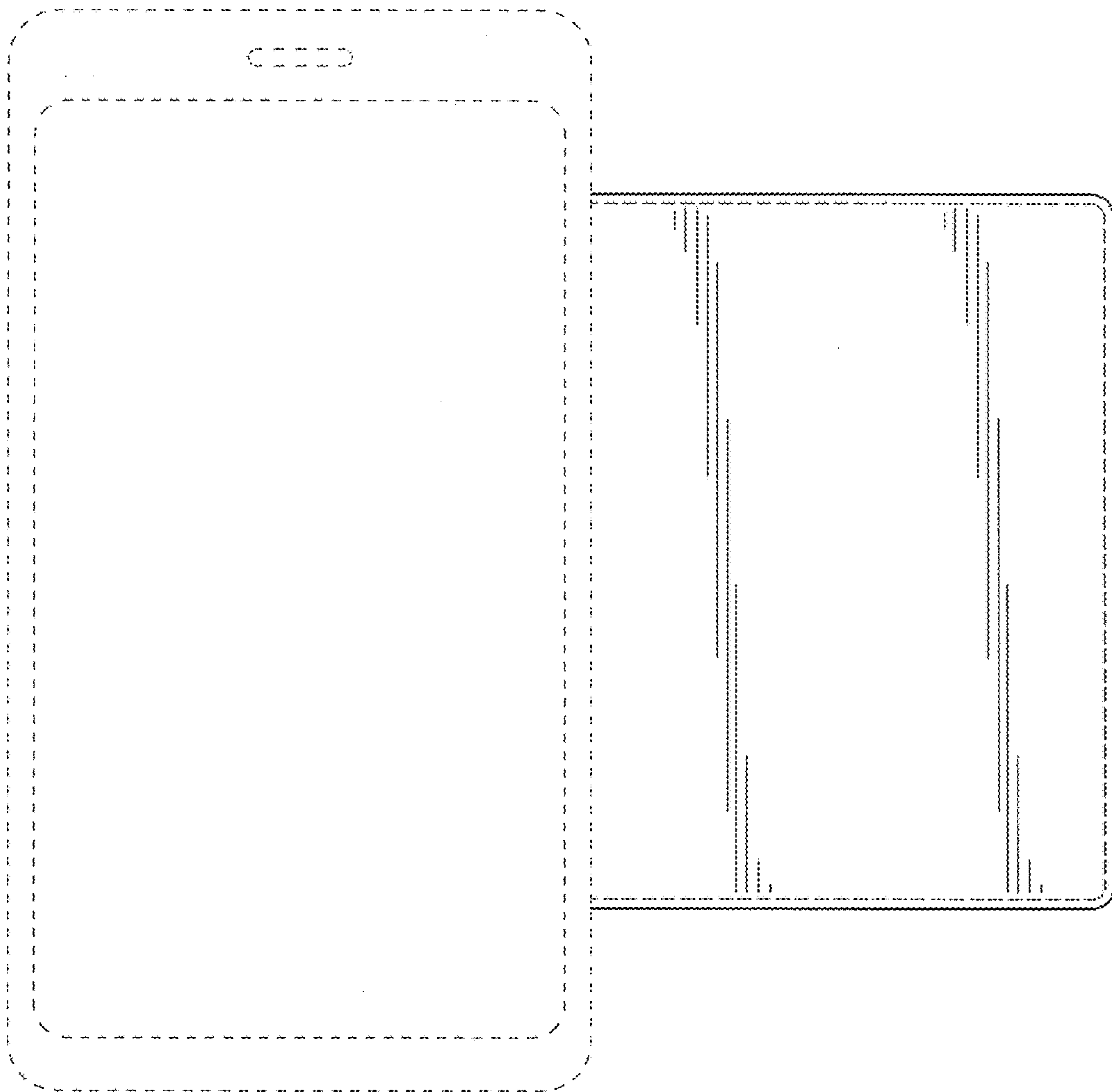
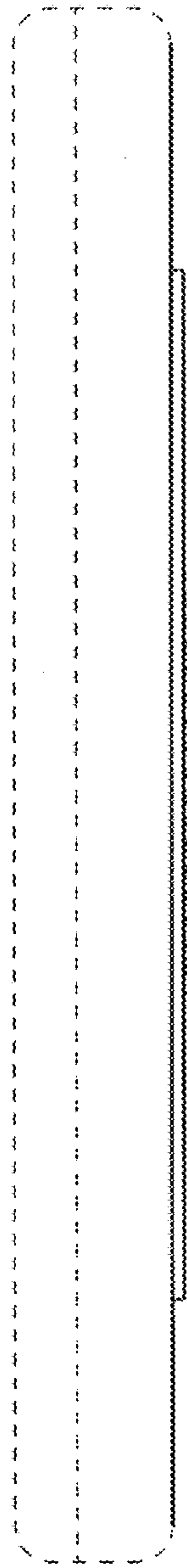


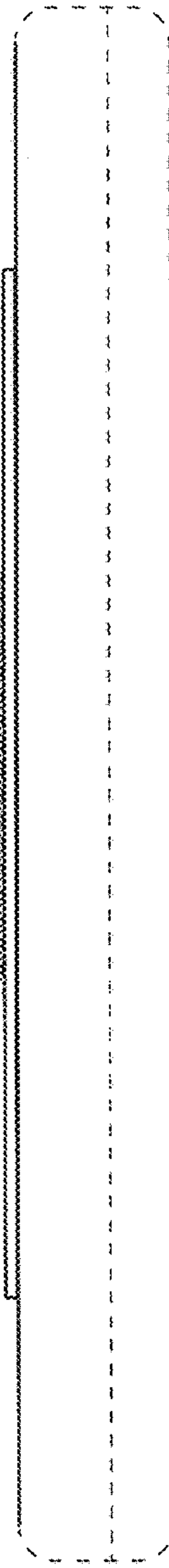
FIG. 9



**FIG. 10**



**FIG. 11**



**FIG. 12**

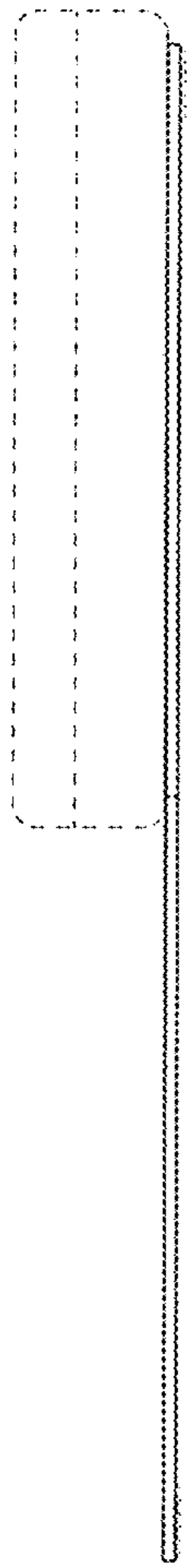


FIG. 13

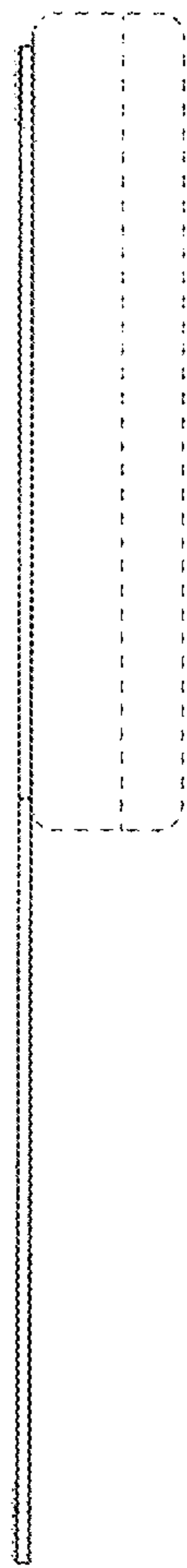


FIG. 14