



US00D790188S

(12) **United States Design Patent**
Portailler et al.

(10) **Patent No.:** **US D790,188 S**
(45) **Date of Patent:** **** Jun. 27, 2017**

(54) **UPPER OF A FOOTWEAR ARTICLE**

(71) Applicant: **Salomon S.A.S**, Metz-Tessy (FR)

(72) Inventors: **Axelle Portailler**, Annecy (FR);
Benjamin Grenet, Moye (FR)

(73) Assignee: **Salomon S.A.S.**, Metz-Tessy (FR)

(**) Term: **15 Years**

(21) Appl. No.: **29/544,602**

(22) Filed: **Nov. 4, 2015**

(51) **LOC (10) Cl.** **02-99**

(52) **U.S. Cl.**
USPC **D2/972**

(58) **Field of Classification Search**

USPC D2/902, 906-908, 944, 946, 969,
D2/972-974
CPC ... A43B 13/181; A43B 13/141; A43B 13/186;
A43B 13/188; A43B 23/00; A43B 23/02;
A43B 5/00; A43B 23/26; A43B 1/04;
A43B 11/14; A43B 7/00; A43C 1/00;
A43C 11/00

See application file for complete search history.

(56) **References Cited**

U.S. PATENT DOCUMENTS

D352,161 S	*	11/1994	Preskar	D2/969
D401,755 S		12/1998	Zinovieff		
D404,542 S		1/1999	Donnadieu et al.		
D404,543 S		1/1999	Donnadieu et al.		
D413,427 S		9/1999	Fellouhe		
D414,320 S	*	9/1999	Brent	D2/969
D415,875 S		11/1999	Falguere		
D419,285 S	*	1/2000	McDowell	D2/972
D425,693 S		5/2000	Fellouhe		
D426,949 S		6/2000	Barret		
D434,212 S		11/2000	Laberge		
D434,552 S		12/2000	Burt		
D434,553 S		12/2000	Burt		

D434,554 S	12/2000	Laberge
D434,894 S	12/2000	Burt
D434,895 S	12/2000	Laberge
D435,165 S	12/2000	Burt
D435,336 S	12/2000	Barret et al.
D435,718 S	1/2001	Laberge
D436,433 S	1/2001	Laberge
D443,131 S	6/2001	Laberge
D443,408 S	6/2001	Laberge

(Continued)

Primary Examiner — Dominic Simone

(74) *Attorney, Agent, or Firm* — Terence P. O'Brien

(57) **CLAIM**

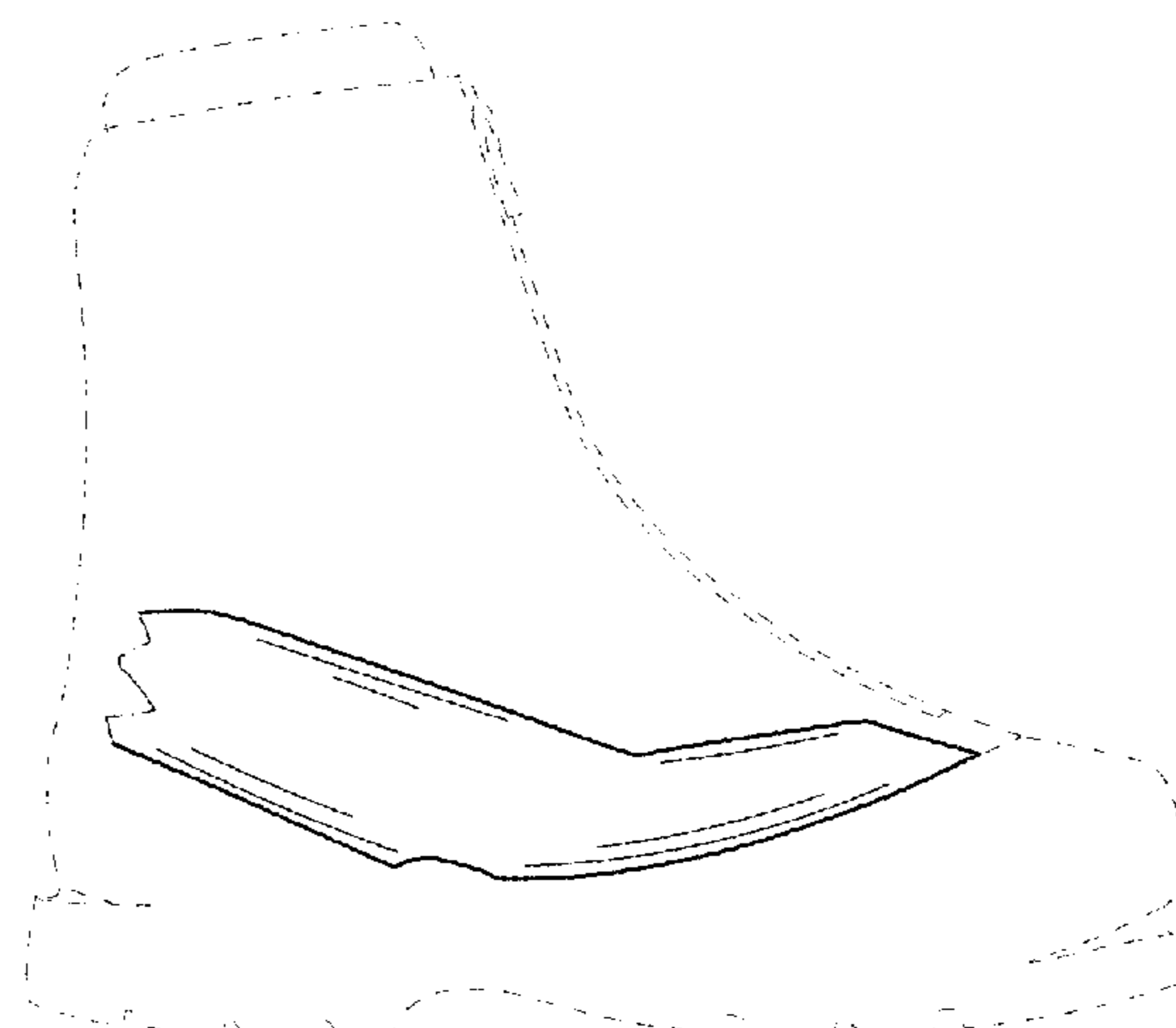
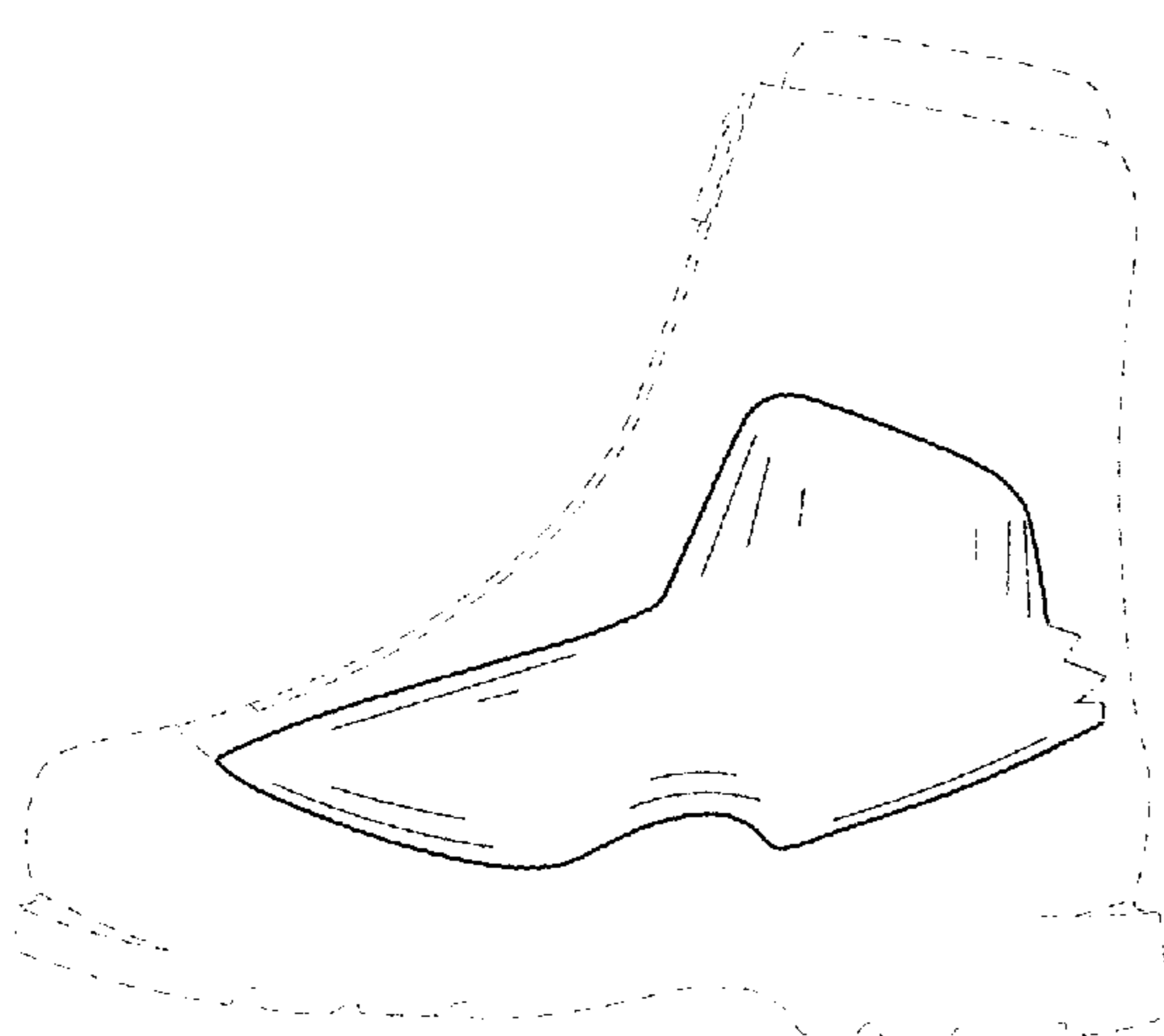
We claim the ornamental design for an upper of a footwear article, as shown and described.

DESCRIPTION

FIG. 1 is a first side perspective view of an upper of a footwear article;
FIG. 2 is a first side view of the upper of a footwear article of FIG. 1;
FIG. 3 is a second side perspective view of the upper of a footwear article of FIG. 1;
FIG. 4 is a second side view of the upper of a footwear article of FIG. 1;
FIG. 5 is a front view of the upper of a footwear article of FIG. 1;
FIG. 6 is a rear view of the upper of a footwear article of FIG. 1; and,
FIG. 7 is a top view of the upper of a footwear article of FIG. 1.

The ornamental design that is claimed is shown in solid lines in the drawings. The broken (dashed) lines shown in the figures are included for the purpose of illustrating environmental elements only and form no part of the claimed design. The dashed/dotted lines in the figures are included to define the bounds of the claimed design but do not form part of the claimed design.

1 Claim, 3 Drawing Sheets



(56)

References Cited

U.S. PATENT DOCUMENTS

D446,004 S	8/2001	Burt	D679,084 S	4/2013	Grenet
D451,267 S	12/2001	Laberge et al.	D679,085 S	4/2013	Grenet
D451,268 S	12/2001	Laberge et al.	D679,903 S	4/2013	Grenet
D451,269 S	12/2001	Burt	D680,314 S	4/2013	Amphyon
D452,068 S	12/2001	Laberge et al.	D680,315 S	4/2013	Amphyon
D452,368 S	12/2001	Chaigne	D680,728 S	4/2013	Stryjak
D452,607 S	1/2002	Sakai	D690,491 S	10/2013	Bosomworth
D453,616 S	2/2002	Sakai	D690,492 S	10/2013	Bosomworth
D455,251 S	4/2002	Sakai	D690,493 S	10/2013	Bosomworth
D457,296 S	5/2002	Burt	D690,494 S	10/2013	Bosomworth
D459,870 S	7/2002	St. Louis	D690,495 S	10/2013	Bosomworth
D460,250 S	7/2002	Hillyer	D690,496 S	10/2013	Leleu
D460,610 S	7/2002	Sakai	D690,923 S	10/2013	Amphyon
D460,853 S	7/2002	Sakai	D693,557 S	11/2013	Grenet
D461,946 S	8/2002	Burt	D693,558 S	11/2013	Bosomworth
D464,479 S	10/2002	Banik	D701,029 S	3/2014	Grenet
D465,909 S	11/2002	Omerakis	D701,030 S	3/2014	Grenet
D467,062 S	12/2002	Delgorgue et al.	D701,031 S	3/2014	Grenet
D467,064 S	12/2002	Hillyer	D701,033 S	3/2014	Leleu
D467,724 S	12/2002	Hillyer	D701,384 S	3/2014	Leleu
D471,700 S	3/2003	Banik	D706,025 S	6/2014	Ameye
D472,040 S	3/2003	Koo	D711,639 S	8/2014	Fuhrer
D475,189 S	6/2003	Laberge et al.	D711,640 S	8/2014	Amphyon
D475,515 S	6/2003	St-Louis	D711,641 S	8/2014	Grenet et al.
D475,516 S	6/2003	Laberge	D711,642 S	8/2014	Bosomworth
D475,517 S	6/2003	St-Louis	D711,643 S	8/2014	Bosomworth
D479,391 S	9/2003	Hillyer	D712,131 S	9/2014	Leleu
D479,392 S	9/2003	Hillyer	D717,037 S	11/2014	Bosomworth
D479,644 S	9/2003	Sakai	D717,530 S	11/2014	Leleu
D481,530 S	11/2003	Hillyer	D717,531 S	11/2014	Bosomworth
D482,515 S	11/2003	St-Louis	D717,532 S	11/2014	Grenet
D482,858 S	12/2003	Hillyer	D717,533 S	11/2014	Grenet
D482,859 S	12/2003	Laberge	D717,534 S	11/2014	Amphyon
D482,861 S	12/2003	St-Louis	D718,030 S	11/2014	Fuhrer et al.
D483,938 S	12/2003	Laberge	D718,521 S	12/2014	Bosomworth
D485,428 S	1/2004	Koo	D722,429 S	2/2015	Amphyon
D485,429 S	1/2004	Koo	D725,362 S	3/2015	Bosomworth
D485,669 S	1/2004	Koo	D725,363 S	3/2015	Fuhrer et al.
D485,670 S	1/2004	Laberge	D725,364 S	3/2015	Fuhrer et al.
D486,301 S	2/2004	Koo	D725,365 S	3/2015	Grenet
D487,339 S	3/2004	Laberge	D725,366 S	3/2015	Grenet
D488,917 S	4/2004	Koo	D725,367 S	3/2015	Bosomworth
D489,168 S	5/2004	Laberge	D725,368 S	3/2015	Portailler
D493,955 S	8/2004	Gay	D725,885 S	4/2015	Amphyon
D494,350 S	8/2004	Hillyer	D725,886 S	4/2015	Grenet
D502,310 S	3/2005	Tresser	D725,887 S	4/2015	Bosomworth
D513,666 S	1/2006	Bertholon	D725,888 S	4/2015	Bosomworth
D513,847 S	1/2006	Laberge	D725,889 S	4/2015	Amphyon
D515,799 S	2/2006	Bertholon	D725,890 S	4/2015	Bosomworth
D515,800 S	2/2006	Bertholon	D725,891 S	4/2015	Bosomworth
D544,694 S *	6/2007	Glover D2/972	D725,892 S	4/2015	Bosomworth
D621,597 S	8/2010	Grenet	D725,893 S	4/2015	Grenet
D622,051 S	8/2010	Leleu	D725,894 S	4/2015	Bosomworth
D622,052 S	8/2010	Grenet	D726,402 S	4/2015	Bosomworth
D622,053 S	8/2010	Grenet	D726,403 S	4/2015	Bosomworth
D622,054 S	8/2010	Bosomworth	D727,007 S	4/2015	Bosomworth
D622,055 S	8/2010	Bosomworth	D727,008 S	4/2015	Amphyon
D623,391 S	9/2010	Leleu	D731,772 S	6/2015	Bosomworth et al.
D623,392 S	9/2010	Grenet	D731,773 S	6/2015	Bosomworth et al.
D623,839 S	9/2010	Leleu	D731,774 S	6/2015	Antonelli et al.
D629,190 S	12/2010	Bosomworth	D731,775 S	6/2015	Bosomworth et al.
D642,367 S	8/2011	Fuhrer	D731,776 S	6/2015	Portailler
D644,019 S	8/2011	Grenet	D731,777 S	6/2015	Grenet et al.
D644,824 S	9/2011	Leleu	D731,778 S	6/2015	Grenet et al.
D671,731 S	12/2012	Amphyon	D732,268 S	6/2015	Grenet et al.
D679,081 S	4/2013	Bosomworth	D737,036 S	8/2015	Bosomworth
D679,082 S	4/2013	Bosomworth	D739,134 S	9/2015	Salmon
D679,083 S	4/2013	Bosomworth	D740,537 S	10/2015	Fuhrer et al.
			D742,109 S	11/2015	Grenet
			D753,382 S	4/2016	Lamont
			D753,383 S	4/2016	Nikolic

* cited by examiner

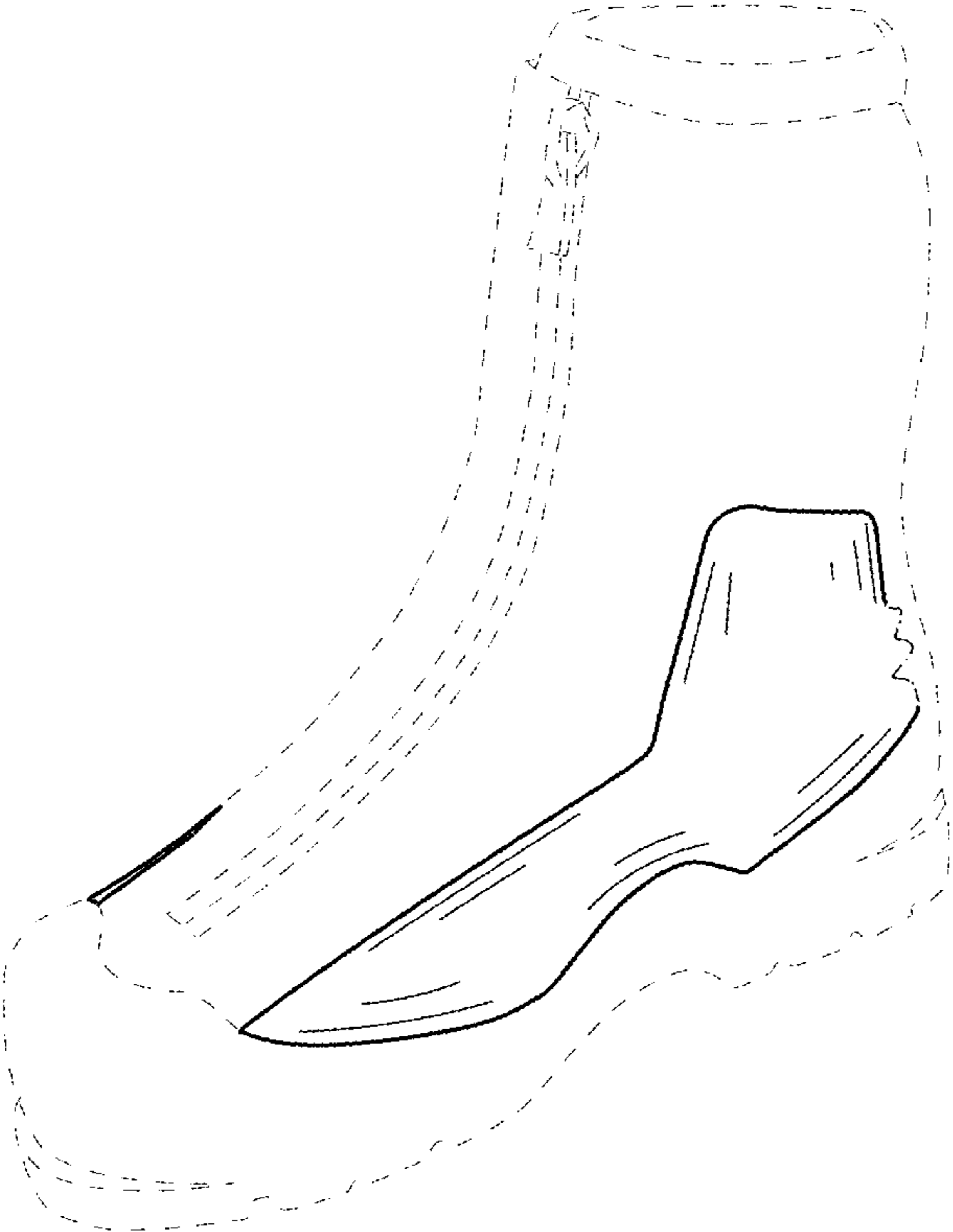


FIG. 1

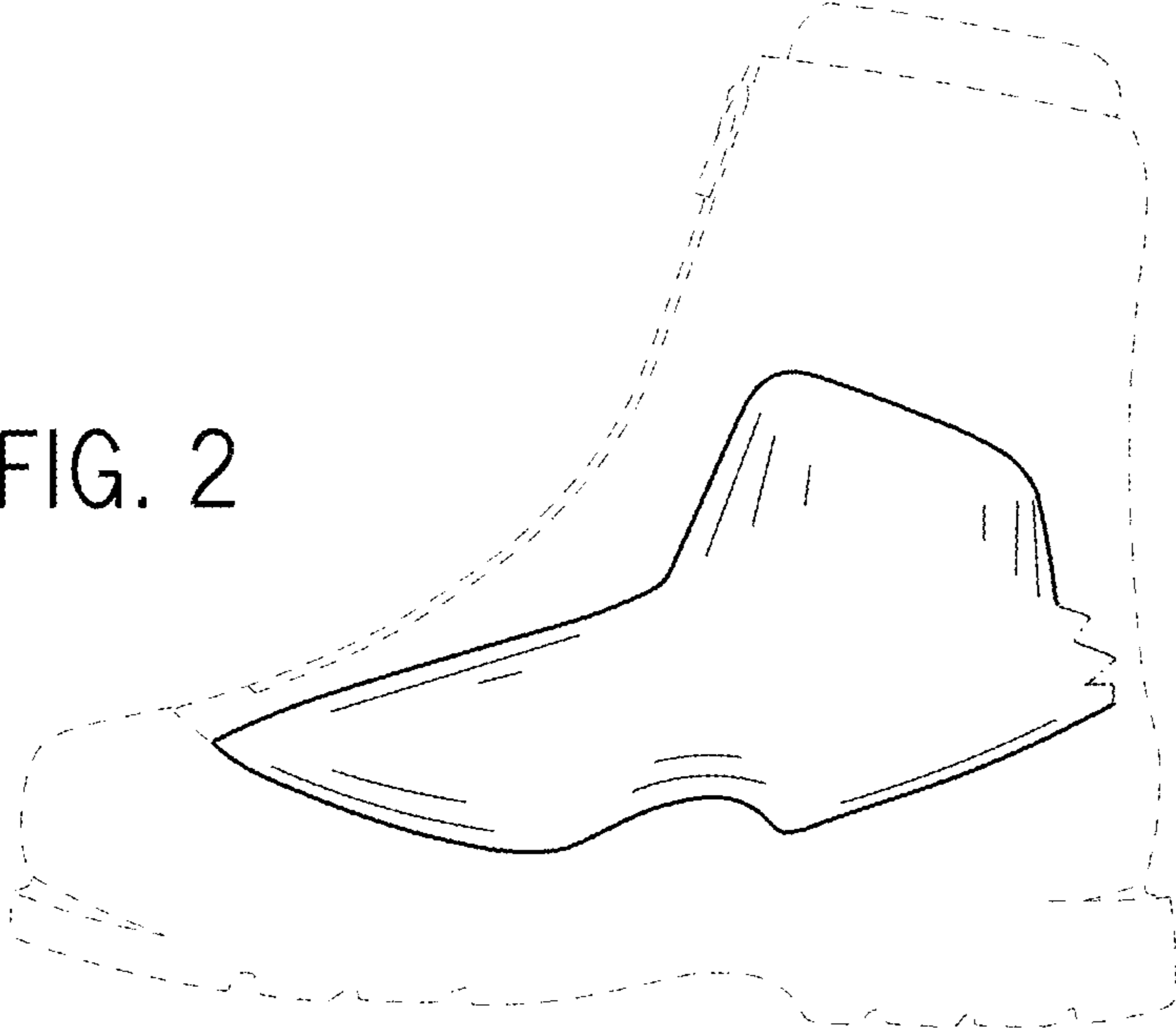


FIG. 2

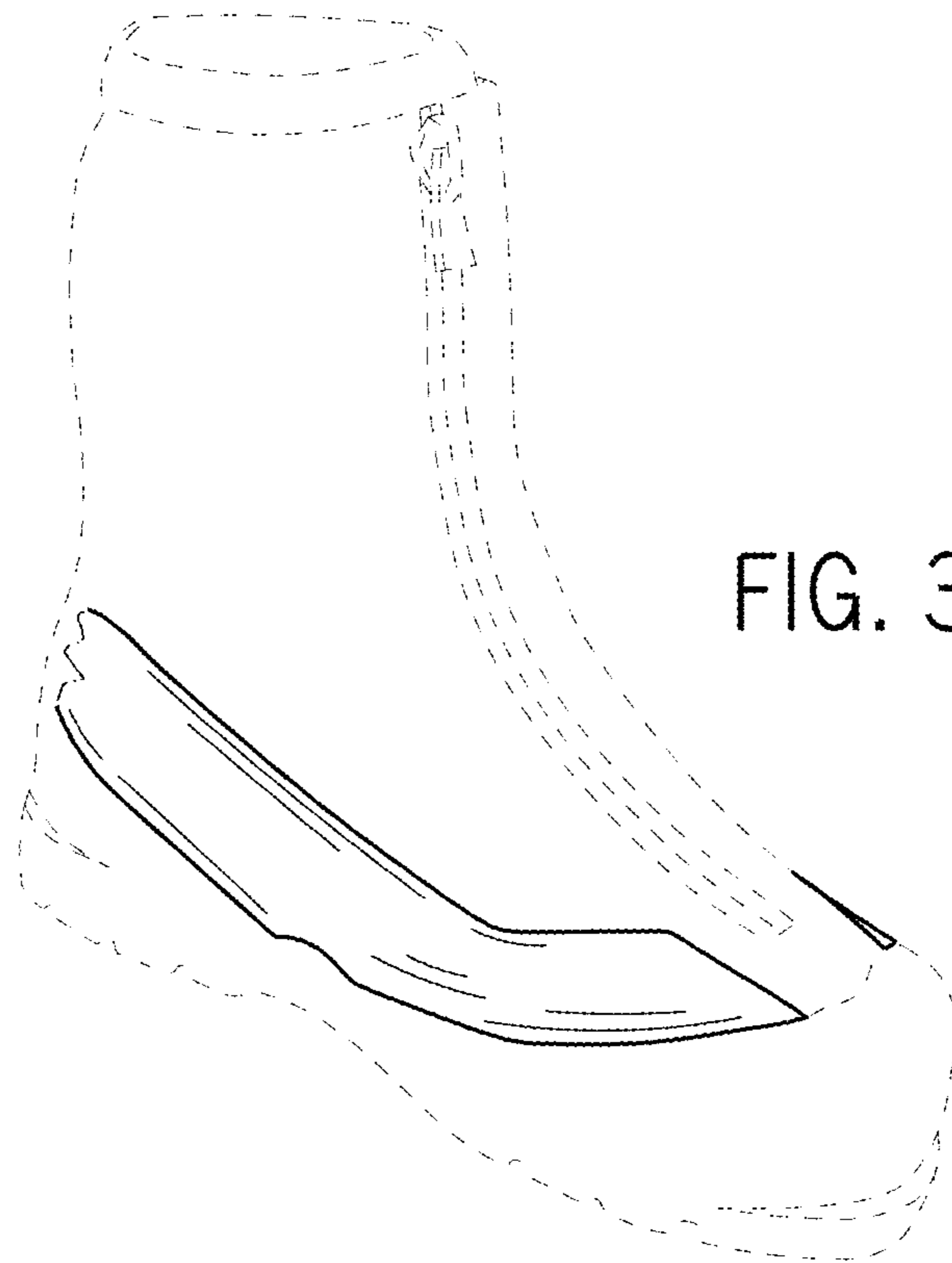


FIG. 3

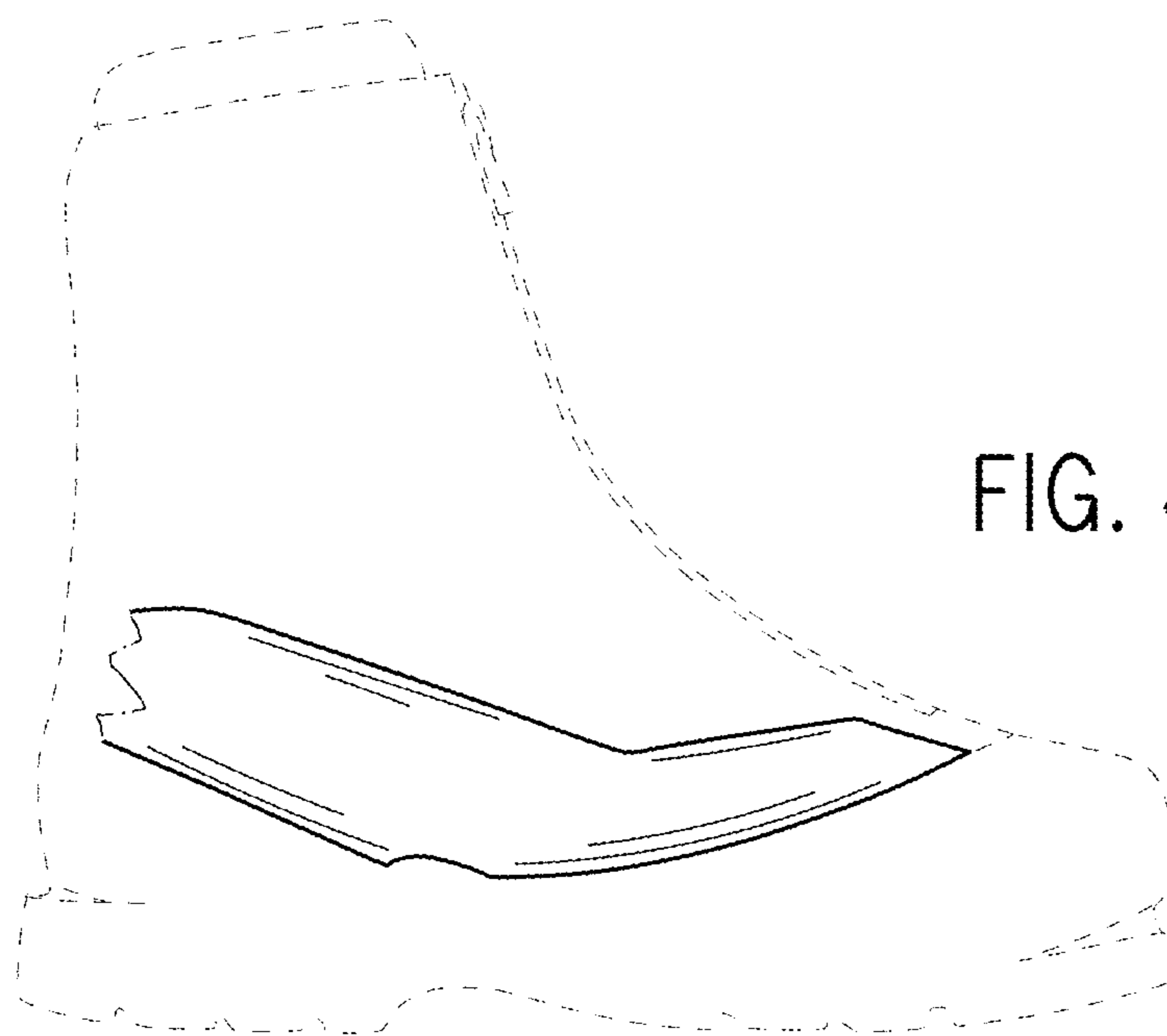


FIG. 4

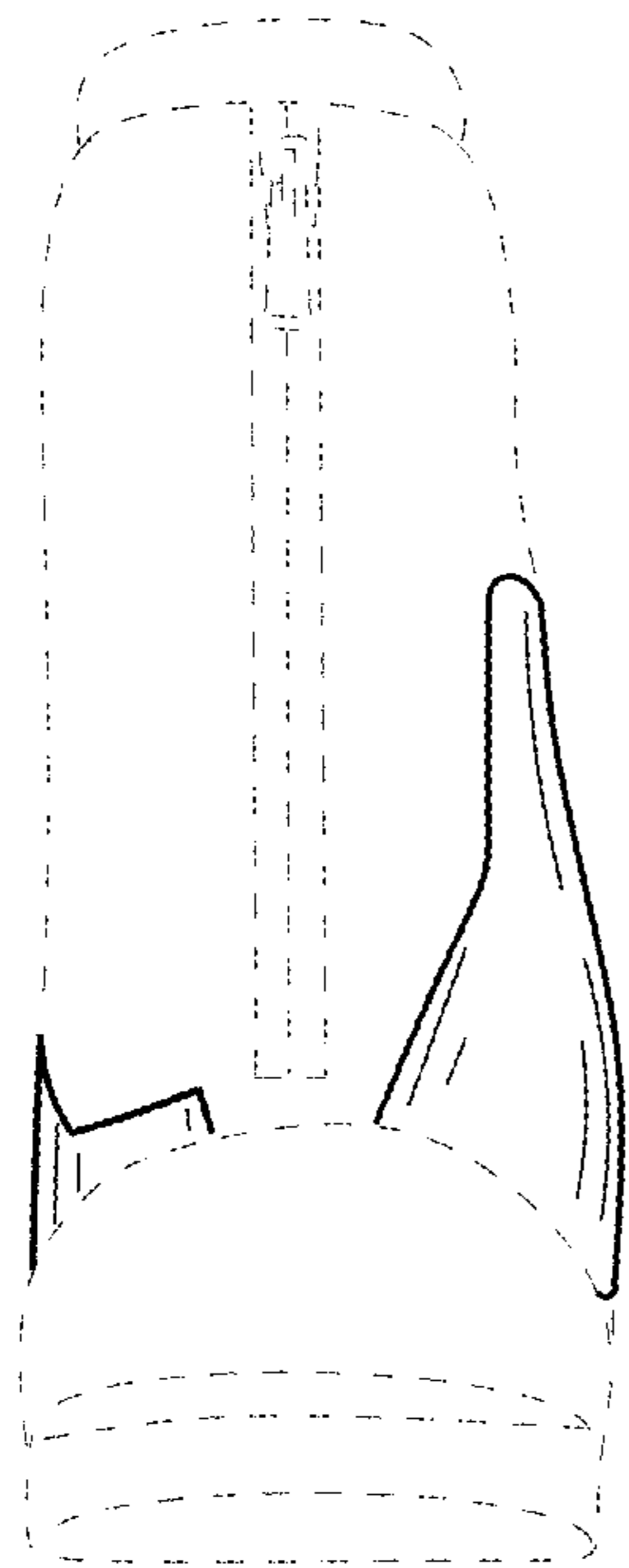


FIG. 5

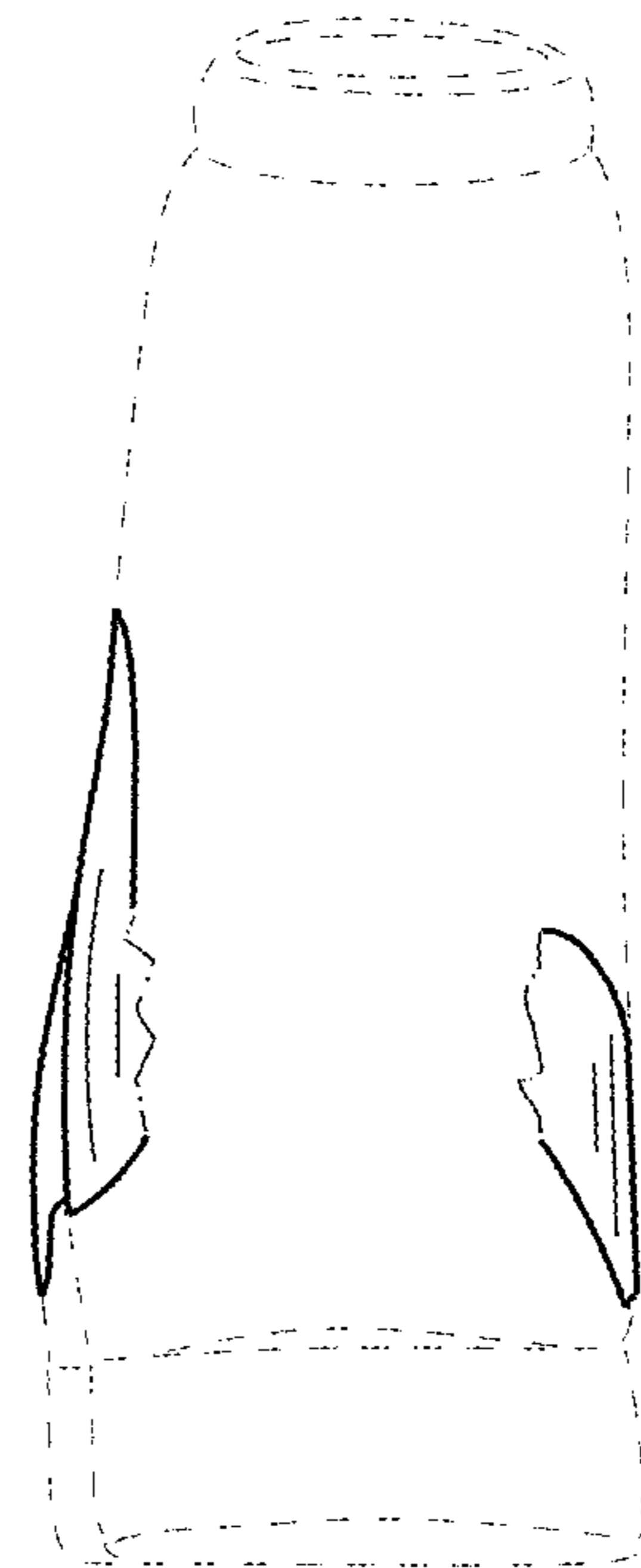


FIG. 6

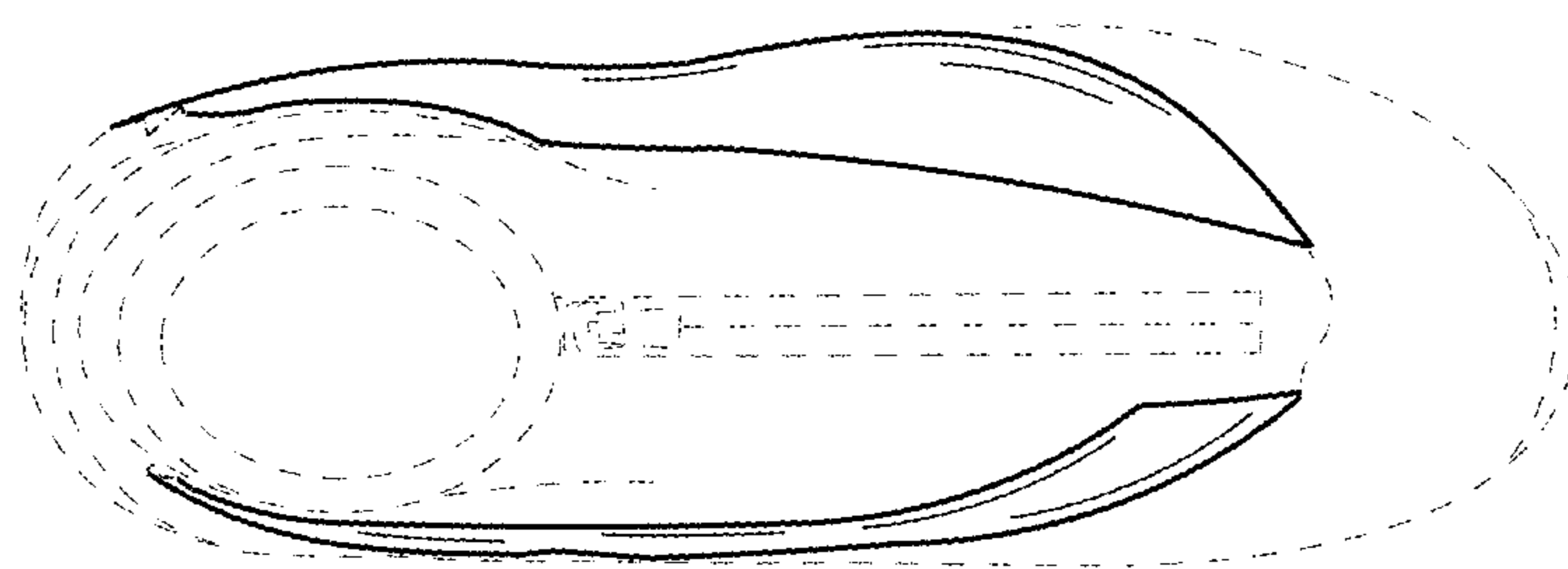


FIG. 7