



US00D790172S

(12) **United States Design Patent**
Hatfield

(10) **Patent No.:** **US D790,172 S**

(45) **Date of Patent:** **** Jun. 27, 2017**

(54) **SHOE SOLE**

(71) Applicant: **NIKE, Inc.**, Beaverton, OR (US)

(72) Inventor: **Tinker L. Hatfield**, Portland, OR (US)

(73) Assignee: **NIKE, Inc.**, Beaverton, OR (US)

(**) Term: **15 Years**

(21) Appl. No.: **29/557,816**

(22) Filed: **Mar. 11, 2016**

(51) **LOC (10) Cl.** **02-04**

(52) **U.S. Cl.**

USPC **D2/947**; D2/951; D2/957

(58) **Field of Classification Search**

USPC D2/902, 906, 908, 916, 918, 925,
D2/946-962, 977; 36/1, 1.5, 3 B, 22 R,
36/24.5, 25 R, 28, 32 R, 34 R, 59 C,
36/67 A, 101-107, 114-116, 117.3, 117.4,
36/124-136

CPC A43B 13/00; A43B 13/02; A43B 13/023;
A43B 13/026; A43B 13/04; A43B 13/08;
A43B 13/10; A43B 13/12; A43B 13/14;
A43B 13/16; A43B 13/18; A43B 13/28;
A43B 13/30; A43B 13/32; A43B 13/34;
A43B 13/36; A43B 13/141; A43B
13/143; A43B 13/181; A43B 13/189;
A43B 13/223; A43B 13/224

See application file for complete search history.

(56) **References Cited**

U.S. PATENT DOCUMENTS

D380,289 S	*	7/1997	Sand	D2/952
D387,864 S	*	12/1997	Hatfield	D2/953
D400,346 S	*	11/1998	Singer	D2/954
D401,739 S	*	12/1998	James	D2/946
D402,449 S	*	12/1998	Robinson	D2/951
D405,246 S	*	2/1999	Singer	D2/906
D416,380 S	*	11/1999	Werman	D2/946
D424,792 S	*	5/2000	Briand	D2/951

D429,551 S	*	8/2000	Wilson	D2/952
D436,718 S	*	1/2001	Patterson	D2/946
D439,031 S	*	3/2001	Matis	D2/947
D441,944 S	*	5/2001	Rogers	D2/954
D469,598 S	*	2/2003	Wilson	D2/947
D469,599 S	*	2/2003	Wilson	D2/947
D471,697 S	*	3/2003	Laberge	D2/953
D473,367 S	*	4/2003	Wilson	D2/946

(Continued)

OTHER PUBLICATIONS

Meet the Future of Nike Shoes Debuted at the 2016 Innovation Summit., SoleCollector.com, by Brendan Dunne, Mar 16, 2016, [online], [site visited Dec. 13, 2016]. <URL: http://solecollector.com/news/2016/03/nike-2016-sneakers-innovation-summit>.*

(Continued)

Primary Examiner — T. Chase Nelson

Assistant Examiner — Jonathan J Han

(74) *Attorney, Agent, or Firm* — Banner & Witcoff, Ltd.

(57) **CLAIM**

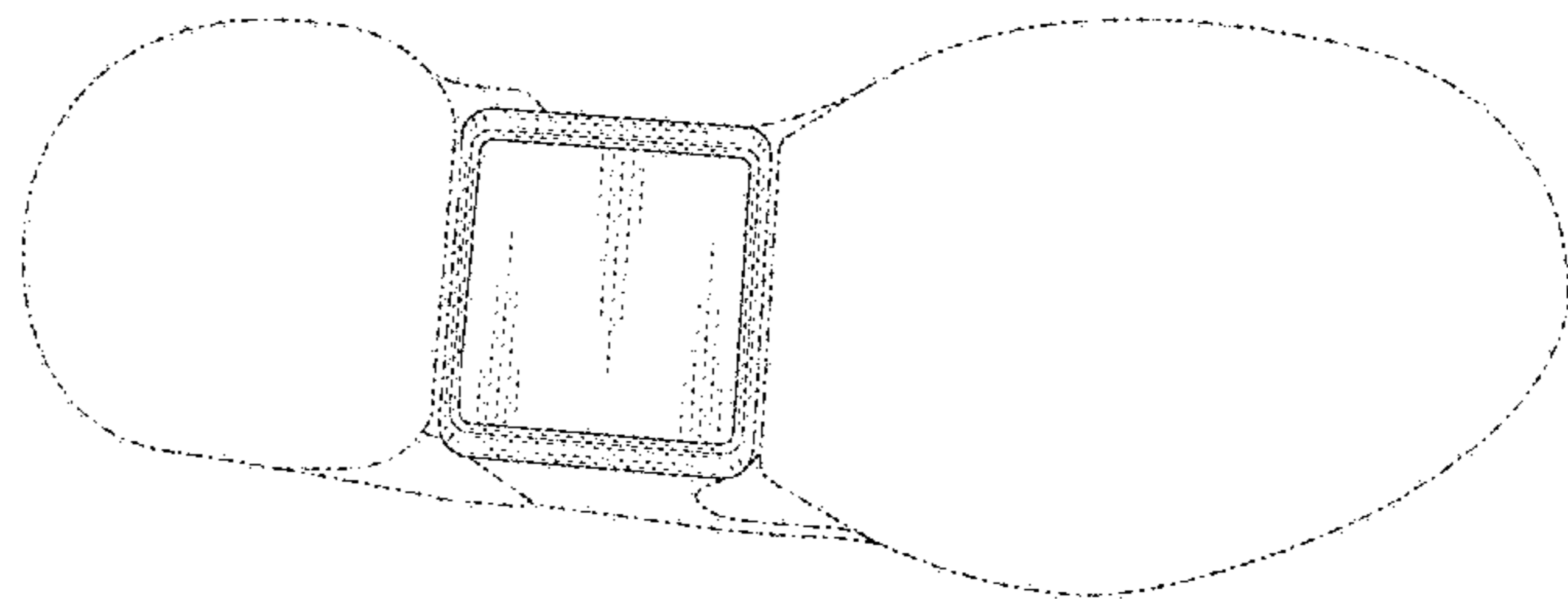
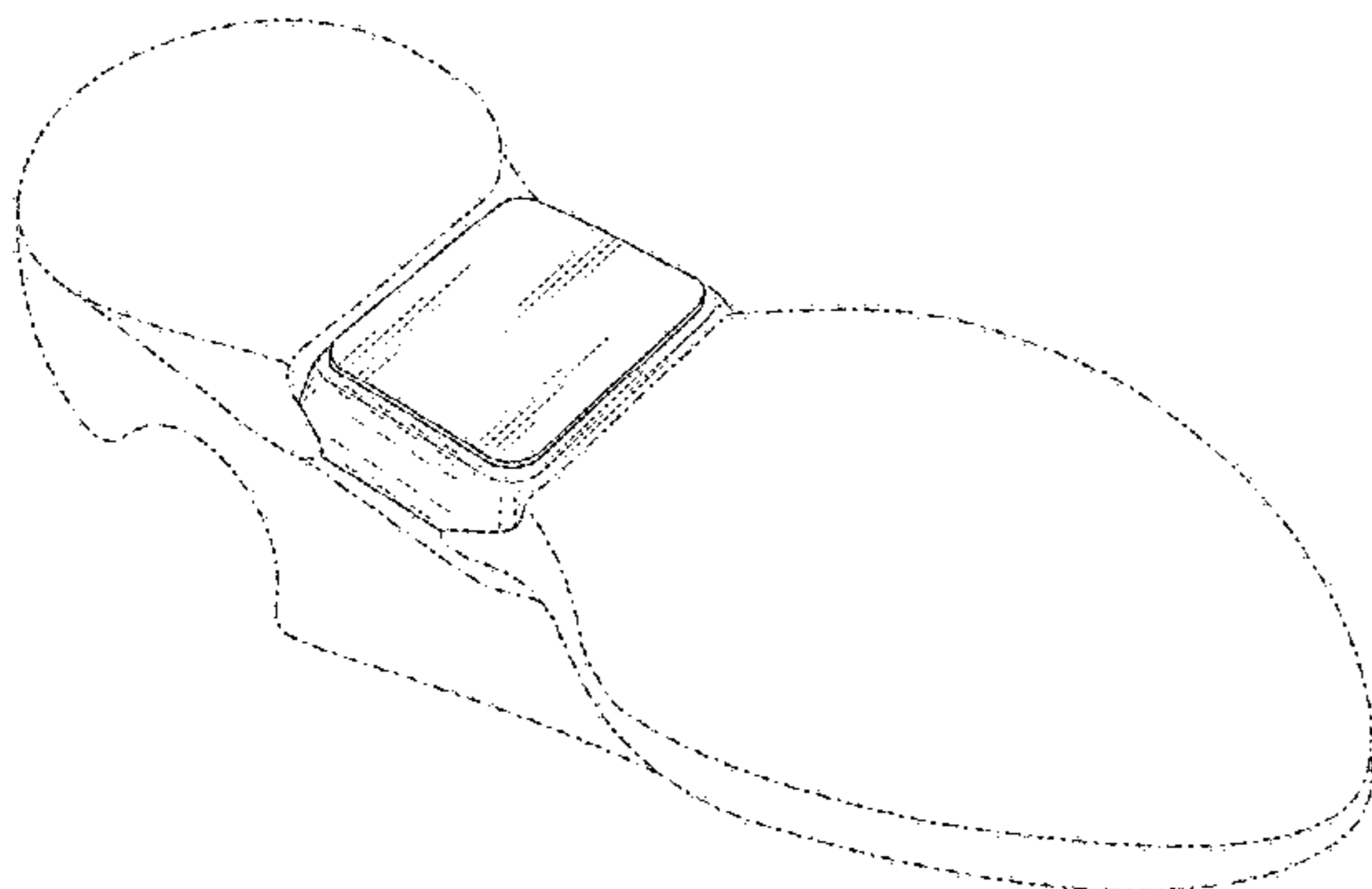
The ornamental design for a shoe sole, as shown and described.

DESCRIPTION

FIG. 1 is a front lateral perspective view of a shoe sole showing my new design;
FIG. 2 is a bottom view thereof;
FIG. 3 is a rear lateral perspective view thereof;
FIG. 4 is a lateral side view thereof with the shoe sole shown in an in-use position; and,
FIG. 5 is a medial side view thereof with the shoe sole shown in an in-use position.

The broken lines immediately adjacent to the shaded area represent unclaimed boundaries of the design. The broken lines showing the remainder of the shoe are for environmental purposes only and form no part of the claimed design.

1 Claim, 5 Drawing Sheets



(56)

References Cited

U.S. PATENT DOCUMENTS

D485,974	S	*	2/2004	Zimmer	D2/951
D487,332	S	*	3/2004	Robinson, Jr.	D2/954
D497,704	S	*	11/2004	Wu	D2/953
D498,042	S	*	11/2004	Recchi	D2/947
D507,398	S	*	7/2005	Recchi	D2/951
D520,721	S	*	5/2006	White	D2/957
D550,435	S	*	9/2007	Schoenborn	D2/947
D566,938	S	*	4/2008	Matis	D2/957
D593,290	S	*	6/2009	Chen	D2/951
D594,194	S	*	6/2009	Butler	D2/951
D611,689	S	*	3/2010	Stubblefield	D2/946
D612,136	S	*	3/2010	Hubner	D2/951
D639,538	S	*	6/2011	Shin	D2/947
D677,869	S	*	3/2013	Labarbera	D2/947
D679,077	S	*	4/2013	Haimerl	D2/951
D680,719	S	*	4/2013	Dardinski	D2/947
D683,119	S	*	5/2013	Shyllon	D2/960
D694,501	S	*	12/2013	Miner	D2/951
D730,639	S	*	6/2015	Molin	D2/951
2010/0248587	A1	*	9/2010	Guzman	A43B 3/0005 446/456

OTHER PUBLICATIONS

Innovative HyperAdapt 1.0 Sneakers by Nike, SportLaunches.com, by: Grayson —Apr. 15, 2016, [online], [site visited Dec. 13, 2016]. <URL: <http://sportlaunches.com/innovative-hyperadapt-1-0-sneakers-nike/>>.*

An Interview with Tiffany Beers, Senior Innovator for the Nike HyperAdapt 1.0, SneakerNews.com, Mar. 17, 2016 by John Kim, [online], [site visited Dec. 13, 2016]. <URL: <http://sneakernews.com/2016/03/17/nike-hyperadapt-tiffany-beers/>>.*

Inside Nike's Secret Underground Lab, Where Designers Invented the Real Power-Lacing Sneaker of Our Dreams. A Wired Exclusive. Wired.com, by Scott Eden, Oct. 2016, [online], [site visited Dec. 13, 2016]. <URL: <https://www.wired.com/2016/09/nike-self-lacing-design-hyperadapt/>>.*

Nike Hyperadapt 1.0 Manifests the Unimaginable, News.Nike.com, Mar. 16, 2016, [online], [site visited Dec. 13, 2016]. <URL: <http://news.nike.com/news/hyperadapt-adaptive-lacing/>>.*

Nike's self-lacing HyperAdapt sneaker will cost you \$720, Money.CNN.com, by Ahiza Garcia, Nov. 15, 2016: 11:14 AM ET, [online], [site visited Dec. 13, 2016]. <URL: <http://money.cnn.com/2016/11/15/news/companies/nike-hyperadapt-self-lacing/>>.*

Nike's Self-Lacing Hyperadapt 1.0 Shoe Gets an Official Release Date, HypeBeast.com, by Keith Estiler, Sep. 20, 2016, [online], [site visited Dec. 13, 2016]. <URL: <https://hypebeast.com/2016/9/nike-hyperadapt-1-0-official-release-date/>>.*

Shift "Kicker" Street Shoe Review, WebBikeWorld.com, by Bill C., [online], [site visited Dec. 15, 2016]. <URL: <http://www.webbikeworld.com/motorcycle-boots/shift-kicker-street-shoe/>>.*

PVC Industrial Shoe Sole, IndiaMart.com, [online], [site visited Dec. 15, 2016]. <URL: <http://www.indiamart.com/proddetail/pvc-industrial-shoe-sole-8848633430.html>>.*

Helly Hansen Chelsea Low HT Safety Shoes S3, MammothWorkwear.com, [online], [site visited Dec. 15, 2016]. <URL: <http://mammothworkwear.com/helly-hansen-chelsea-low-ht-safety-shoe-s3-p3449.htm>>.*

FirstLook: Adidas Adizero Ubersonic tennis shoe, TennisWarehouse-Europe.com, Posted on Aug. 6, 2015 in Tennis Life, [online], [site visited Dec. 15, 2016]. <URL: <http://blog.tenniswarehouse-europe.com/first-look-adidas-adizero-ubersonic-tennis-shoe/>>.*

* cited by examiner

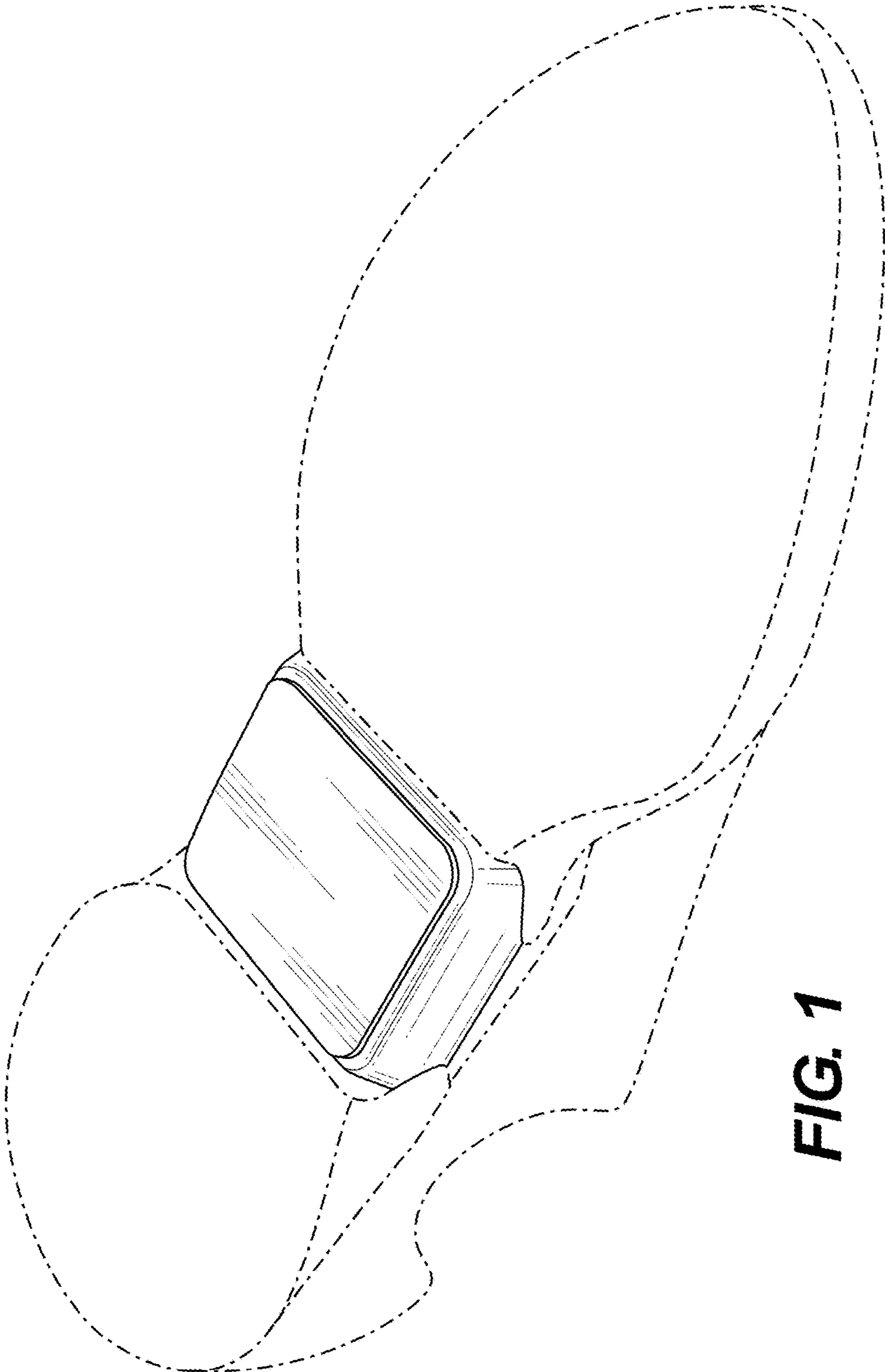


FIG. 1

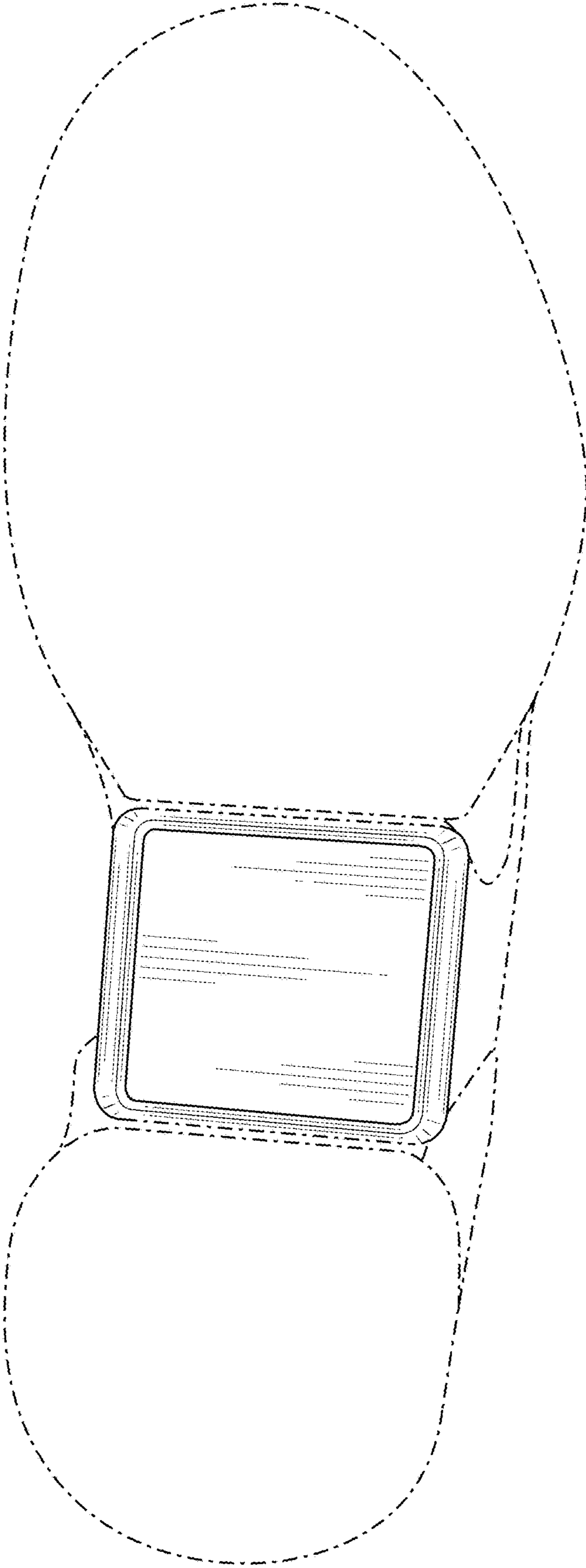


FIG. 2

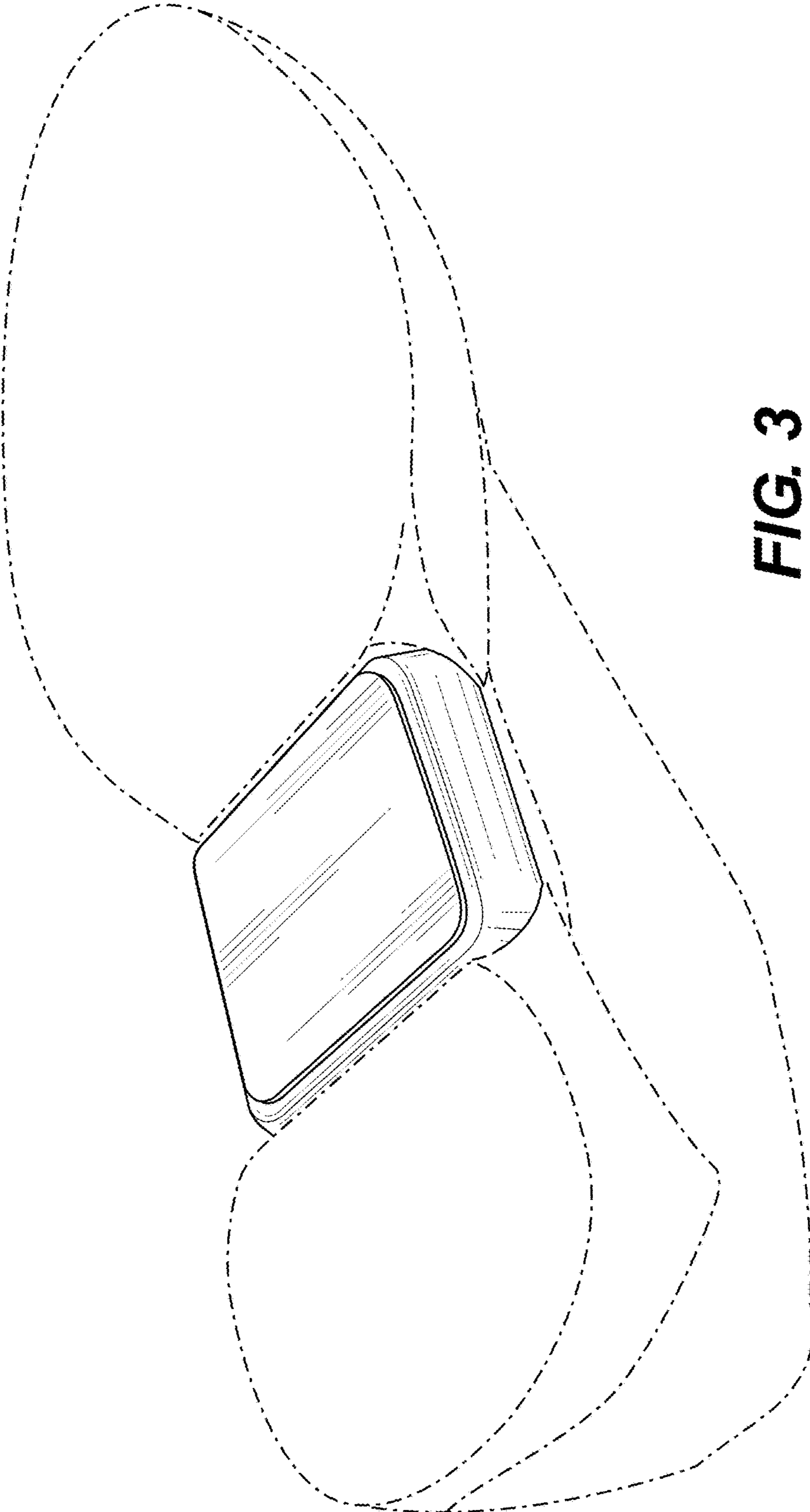


FIG. 3

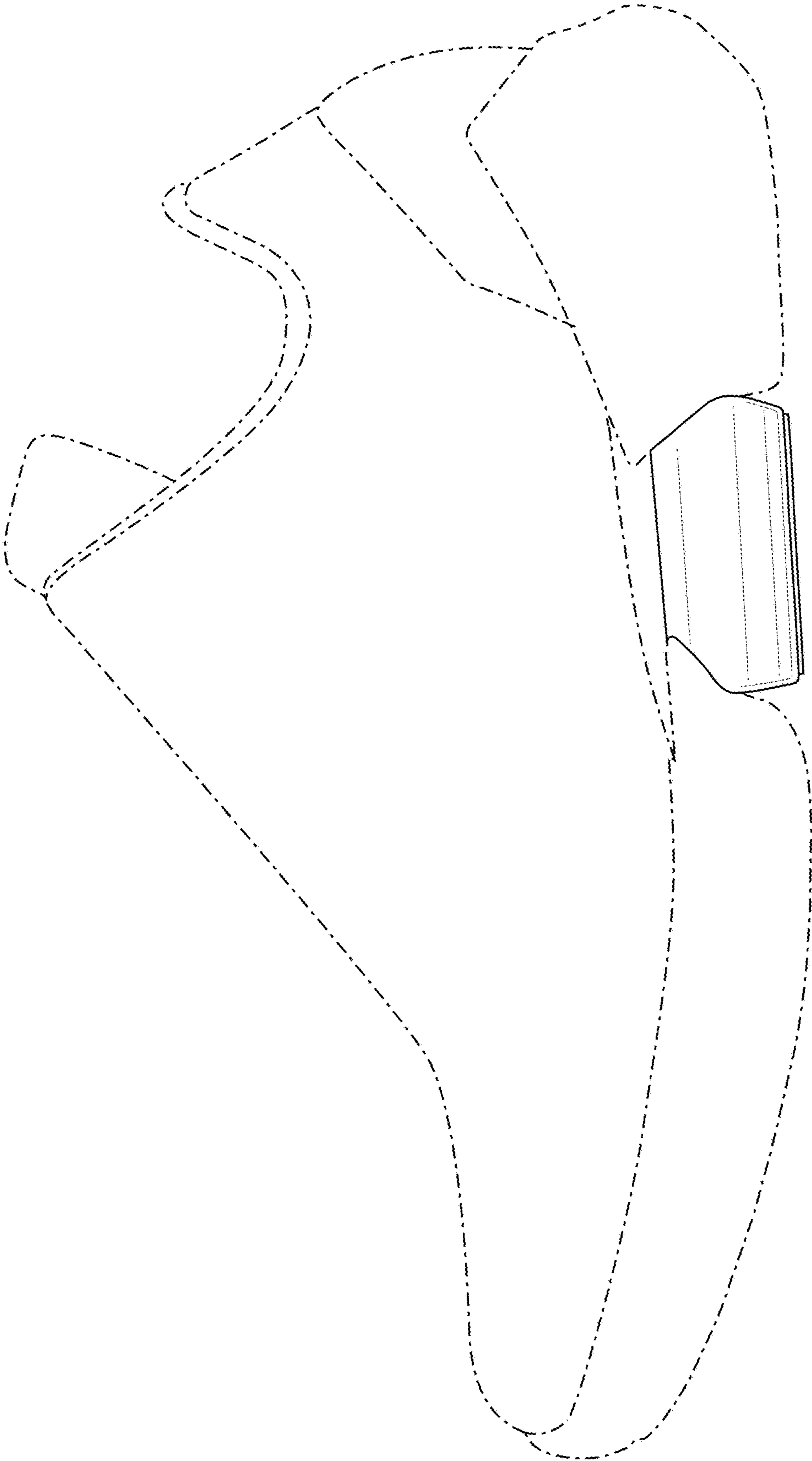


FIG. 4

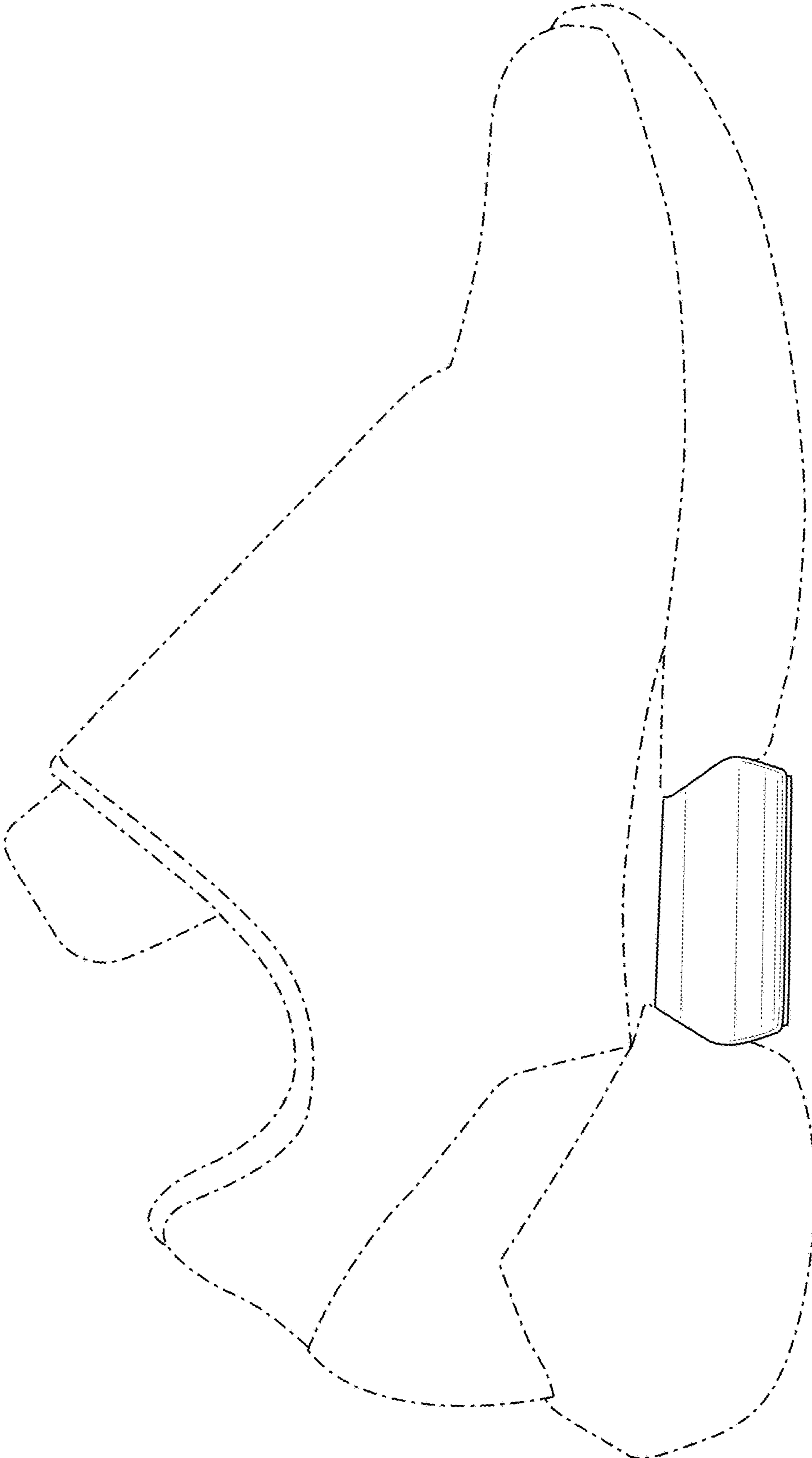


FIG. 5