



US00D790153S

(12) **United States Design Patent** (10) **Patent No.:** **US D790,153 S**  
**Larson et al.** (45) **Date of Patent:** **\*\* Jun. 27, 2017**

(54) **FILLED DOUGH PRODUCT**  
(71) Applicant: **GENERAL MILLS, INC.**,  
Minneapolis, MN (US)  
(72) Inventors: **Bruce D. Larson**, Monticello, MN  
(US); **Todd A. Rasmussen**, North  
Branch, MN (US)  
(73) Assignee: **General Mills, Inc.**, Minneapolis, MN  
(US)  
(\*\*) Term: **14 Years**

3,162,539 A 12/1964 Repko  
3,941,246 A 3/1976 Duden  
D340,118 S \* 10/1993 Lane ..... D1/121  
D366,672 S 1/1996 Kitzmiller  
D401,386 S 11/1998 Boselli  
D447,835 S \* 9/2001 Whitaker ..... D1/130  
D455,890 S 4/2002 Codilis  
6,852,347 B2 2/2005 Hayes-Jacobson  
D509,341 S 9/2005 Gambino et al.  
D512,200 S \* 12/2005 Enevold ..... D1/129  
D522,714 S 6/2006 Tebow et al.  
D532,182 S 11/2006 Hopkins et al.  
D545,026 S 6/2007 Martin et al.  
D586,076 S \* 2/2009 Scavino ..... D1/121

(Continued)

(21) Appl. No.: **29/498,658**  
(22) Filed: **Aug. 6, 2014**  
(51) **LOC (10) Cl.** ..... **01-01**  
(52) **U.S. Cl.**  
USPC ..... **D1/129; D1/121**  
(58) **Field of Classification Search**  
USPC ..... D1/100-130, 199; 426/94, 104, 138,  
426/143, 144, 274, 283, 303, 391, 512,  
426/514, 518, 549; D6/597, 601;  
D7/675, 560, 566, 568; D24/101-104;  
D28/8.1, 8.2; D21/385, 386, 707  
CPC ..... A23L 1/0067; A23L 1/005; A23L 1/0052;  
A23L 1/217; A23G 9/48; A23G 3/54;  
A23V 2002/00  
See application file for complete search history.

*Primary Examiner* — Garth Rademaker  
*Assistant Examiner* — Katie Stofko Mroczka  
(74) *Attorney, Agent, or Firm* — Diederiks & Whitelaw,  
PLC; John L. Crimmins, Esq.

(57) **CLAIM**

The ornamental design for a filled dough product, as shown and described.

**DESCRIPTION**

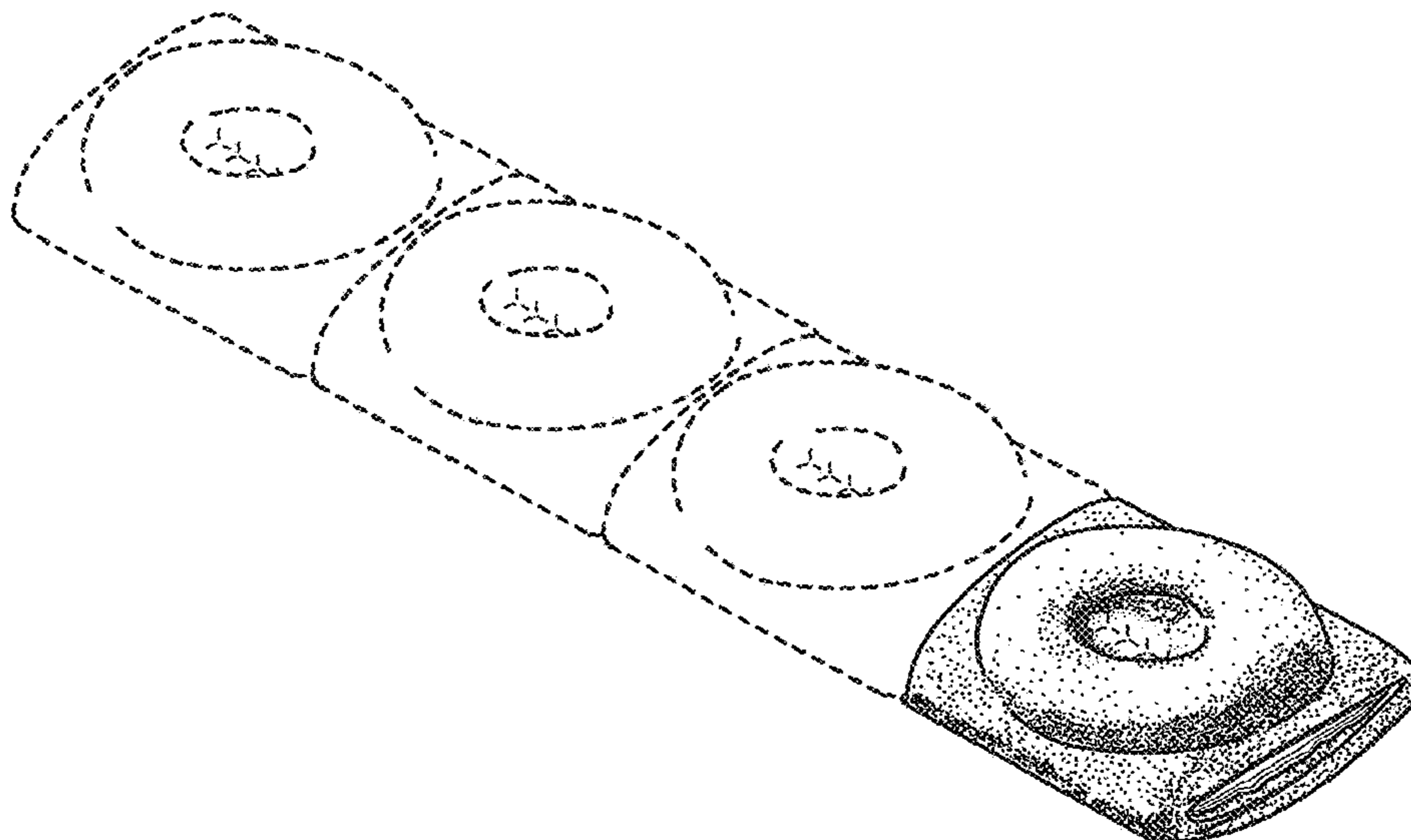
FIG. 1 is a top perspective view of a filled dough product of the present invention;  
FIG. 2 is a top view of the filled donut product of FIG. 1;  
FIG. 3 is a bottom view of the filled donut product of FIG. 1;  
FIG. 4 is a side view of the filled donut product of FIG. 1;  
FIG. 5 is an end elevational view of the filled dough product of FIG. 1;  
FIG. 6 is an end elevational view of the filled dough product of FIG. 1; and,  
FIG. 7 is a cross-sectional view of the filled dough product of FIG. 1 taken along line 7-7 in FIG. 4.  
The broken lines in a FIGS. 1-5 illustrate portions of the filled dough product that form no part of the claimed design.

(56) **References Cited**

**U.S. PATENT DOCUMENTS**

D53,657 S \* 7/1919 Hollywood ..... D1/127  
D61,765 S 1/1923 Goldberg  
1,488,669 A \* 4/1924 Getchell ..... H02B 1/042  
174/535  
D91,644 S \* 3/1934 Blackstone ..... 424/467  
2,694,644 A \* 11/1954 Knab, Sr. .... A23G 3/0247  
426/512

**1 Claim, 3 Drawing Sheets**



(56)

**References Cited**

U.S. PATENT DOCUMENTS

D596,826 S *	7/2009	Hosier .....	D1/115
D597,276 S *	8/2009	Hosier .....	D1/115
D613,181 S	4/2010	Friedland et al.	
D640,037 S	6/2011	Henningham et al.	
D650,146 S	12/2011	Cheung	
D658,347 S	5/2012	Maia	
D708,419 S	7/2014	Fischbach et al.	
9,339,052 B1 *	5/2016	Schwartz .....	A23K 1/00
2003/0157222 A1	8/2003	Henry et al.	
2006/0073190 A1 *	4/2006	Carroll .....	A23G 3/343 424/440

\* cited by examiner

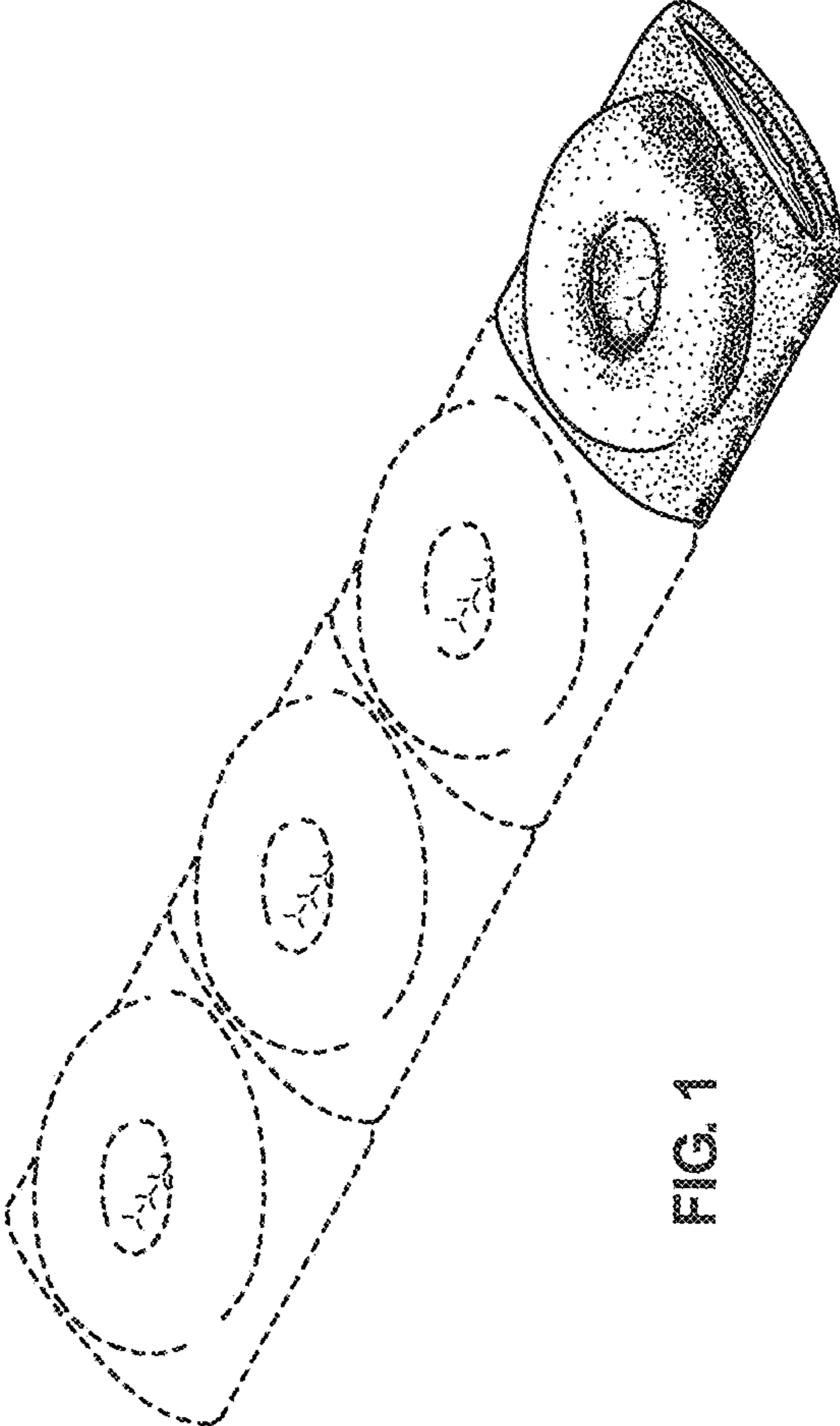
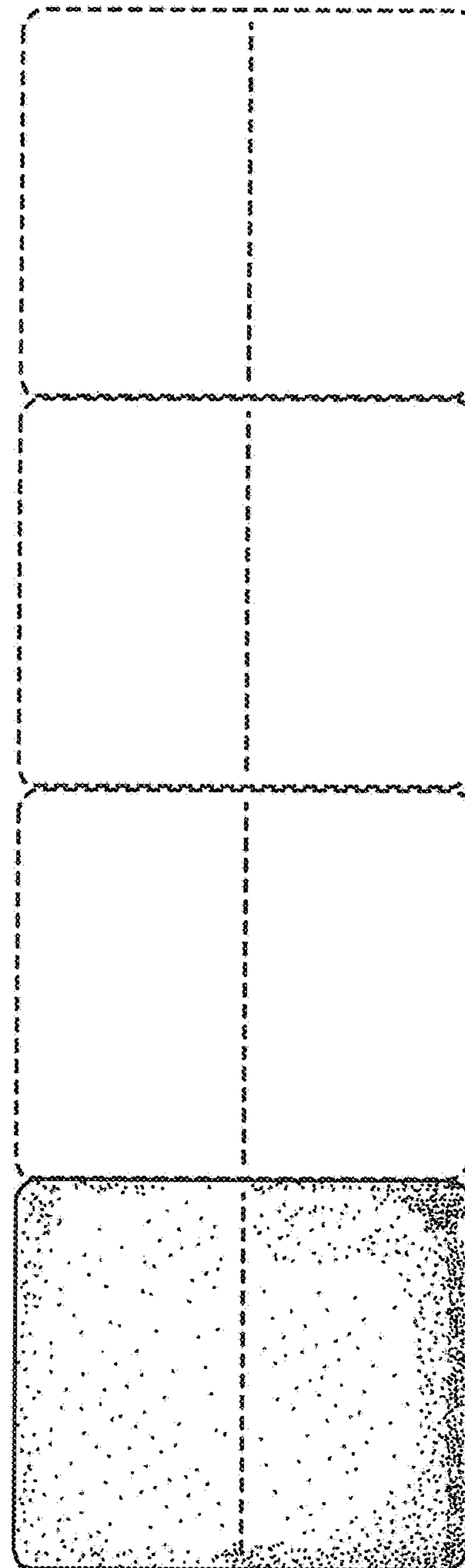
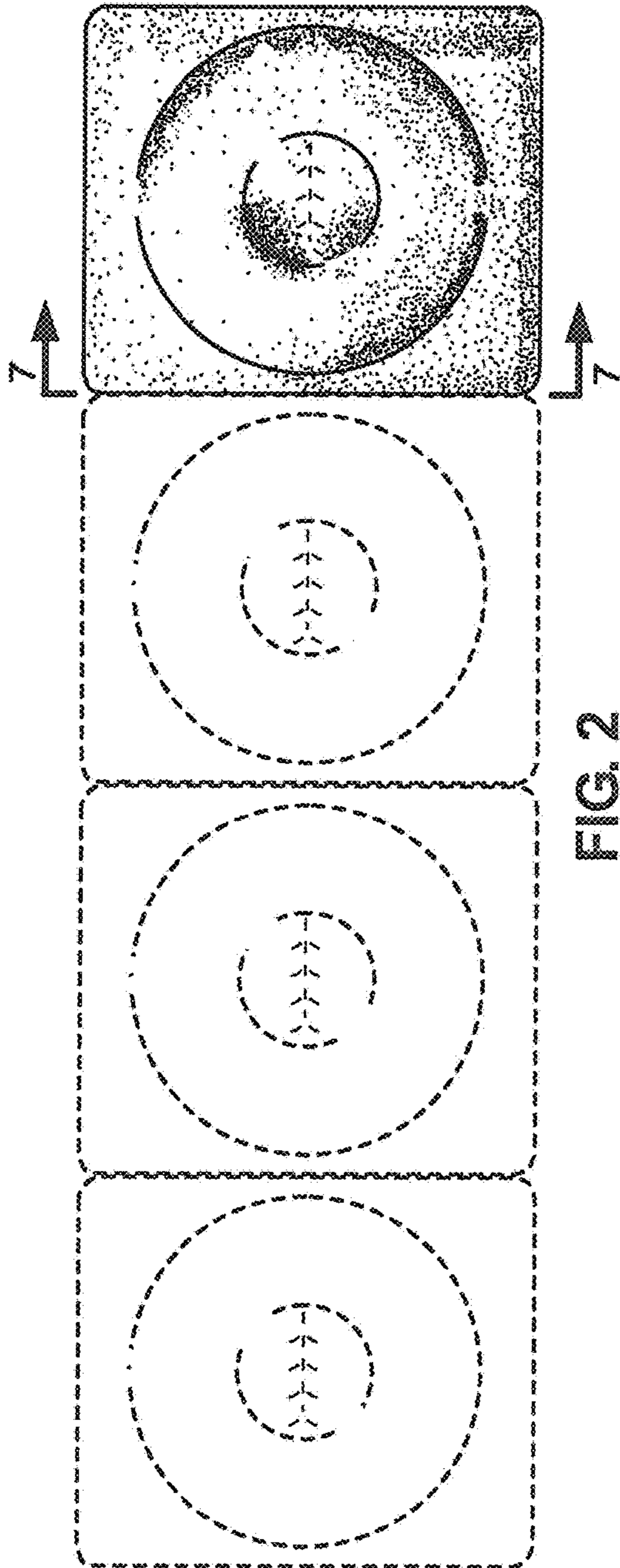


FIG. 1



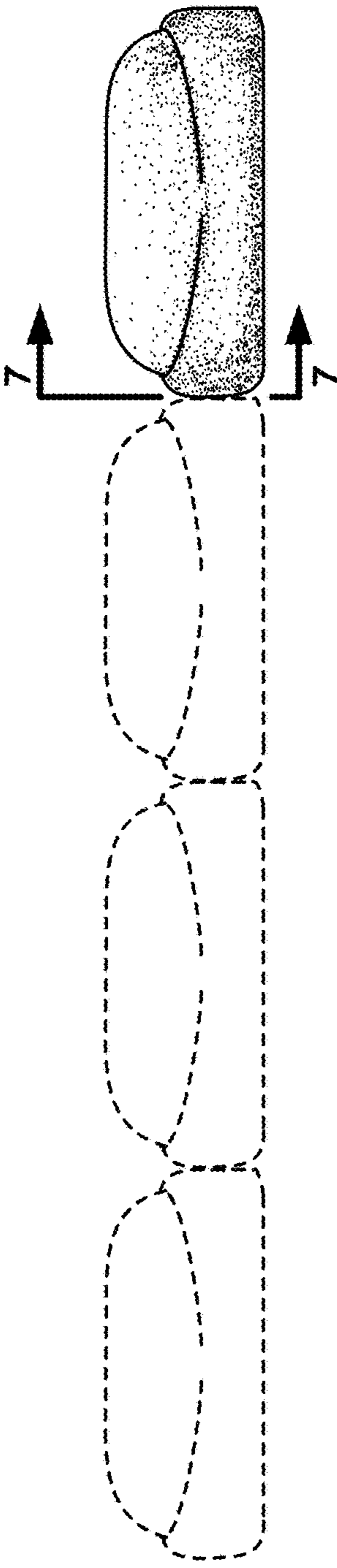


FIG. 4

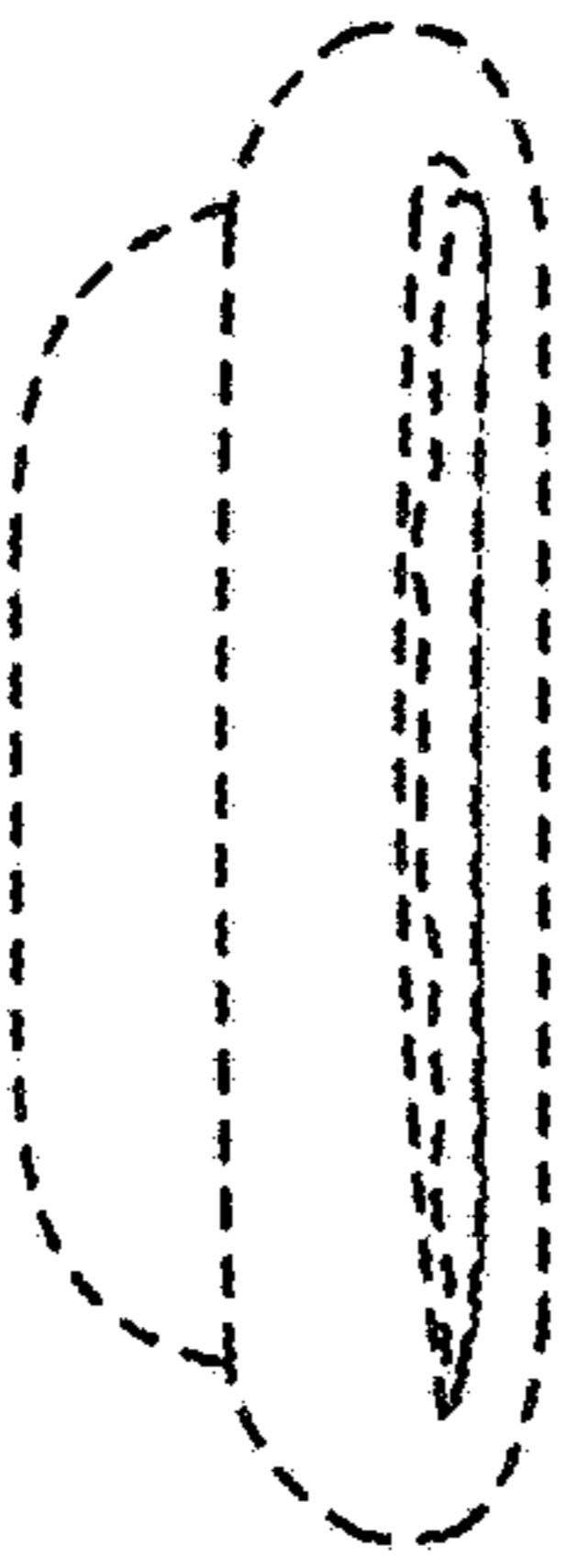


FIG. 5

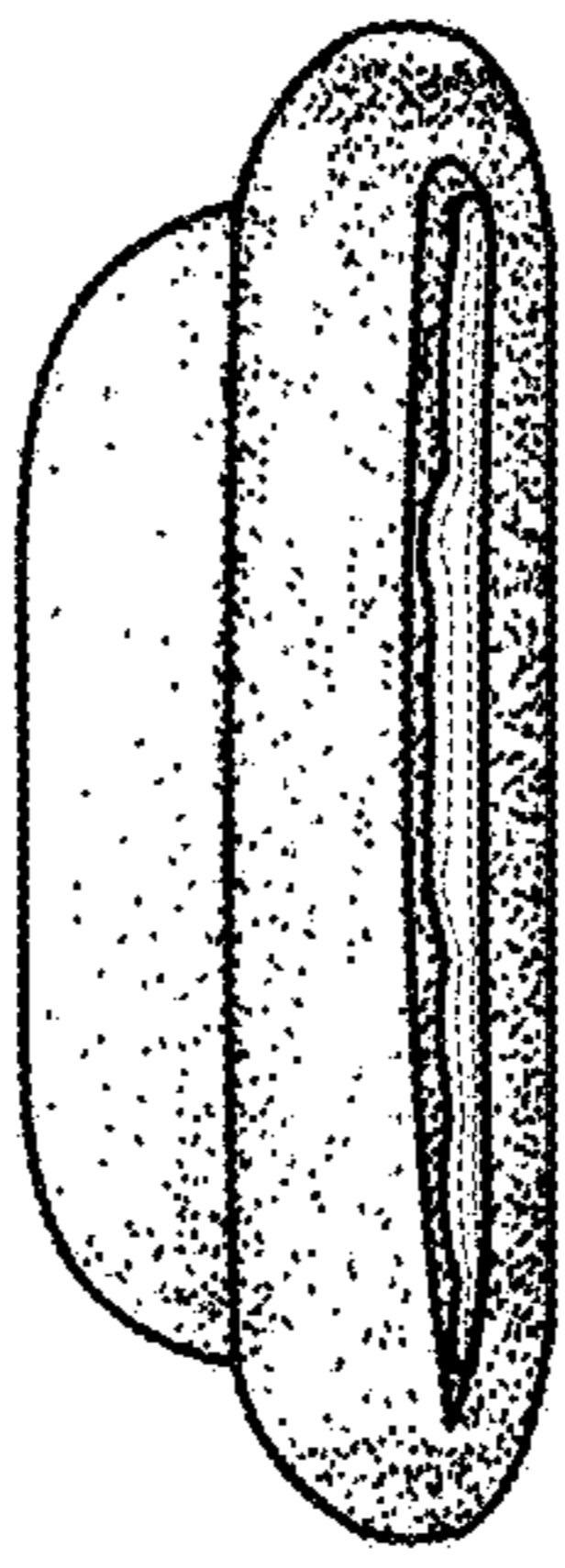


FIG. 6

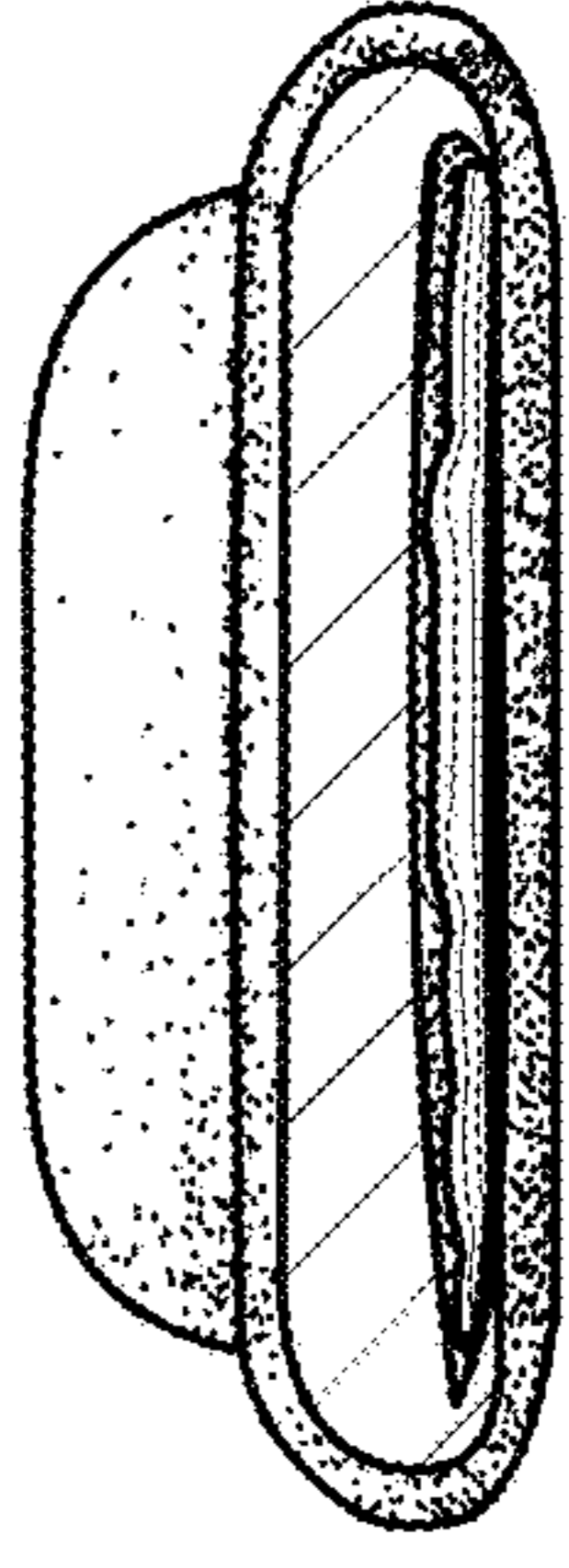


FIG. 7