



US00D790147S

(12) **United States Design Patent**
Sherman et al.

(10) **Patent No.:** **US D790,147 S**
(45) **Date of Patent:** **** Jun. 20, 2017**

- (54) **CART**
- (71) Applicant: **ZIBRA, LLC**, Mooresville, NC (US)
- (72) Inventors: **Michael Milton Sherman**, Mooresville, NC (US); **William Lane Ball**, Statesville, NC (US)
- (73) Assignee: **ZIBRA, LLC**, Mooresville, NC (US)
- (**) Term: **15 Years**
- (21) Appl. No.: **29/554,141**
- (22) Filed: **Feb. 8, 2016**

- 4,116,456 A 9/1978 Stover
 - D303,308 S 9/1989 Meitl
 - D331,135 S 11/1992 Lewandowski
 - 5,427,394 A 6/1995 Lauto
 - 5,435,582 A 7/1995 Davidson
 - 5,848,797 A 12/1998 Paez
- (Continued)

Related U.S. Application Data

- (63) Continuation of application No. 29/518,322, filed on Feb. 23, 2015, now Pat. No. Des. 749,286.
- (51) **LOC (10) Cl.** **12-02**
- (52) **U.S. Cl.**
USPC **D34/27**
- (58) **Field of Classification Search**
USPC D34/12-27; 280/33.991-997, 47.17, 280/47.19, 47.24, 47.26, 47.29, 47.35, 280/47.38, 79.11, 79.2, 79.3; D6/675.2, D6/675.5, 676.2, 677.2, 677.5, 678.4, D6/680.3, 681
CPC B62B 3/14; B62B 3/144; B62B 3/1496; B62B 3/1404; B62B 2501/065; B62B 5/06; B62B 5/069; B62B 5/0423
See application file for complete search history.

(56) **References Cited**

U.S. PATENT DOCUMENTS

- 2,479,530 A 8/1949 Watson
- D177,906 S 6/1956 Duchin
- D199,448 S 10/1964 Corbett

OTHER PUBLICATIONS

Applicant's copending U.S. Appl. No. 29/550,894, 106 pages.
(Continued)

Primary Examiner — Cynthia Ramirez

(74) *Attorney, Agent, or Firm* — Tillman Wright, PLLC; Chad D. Tillman

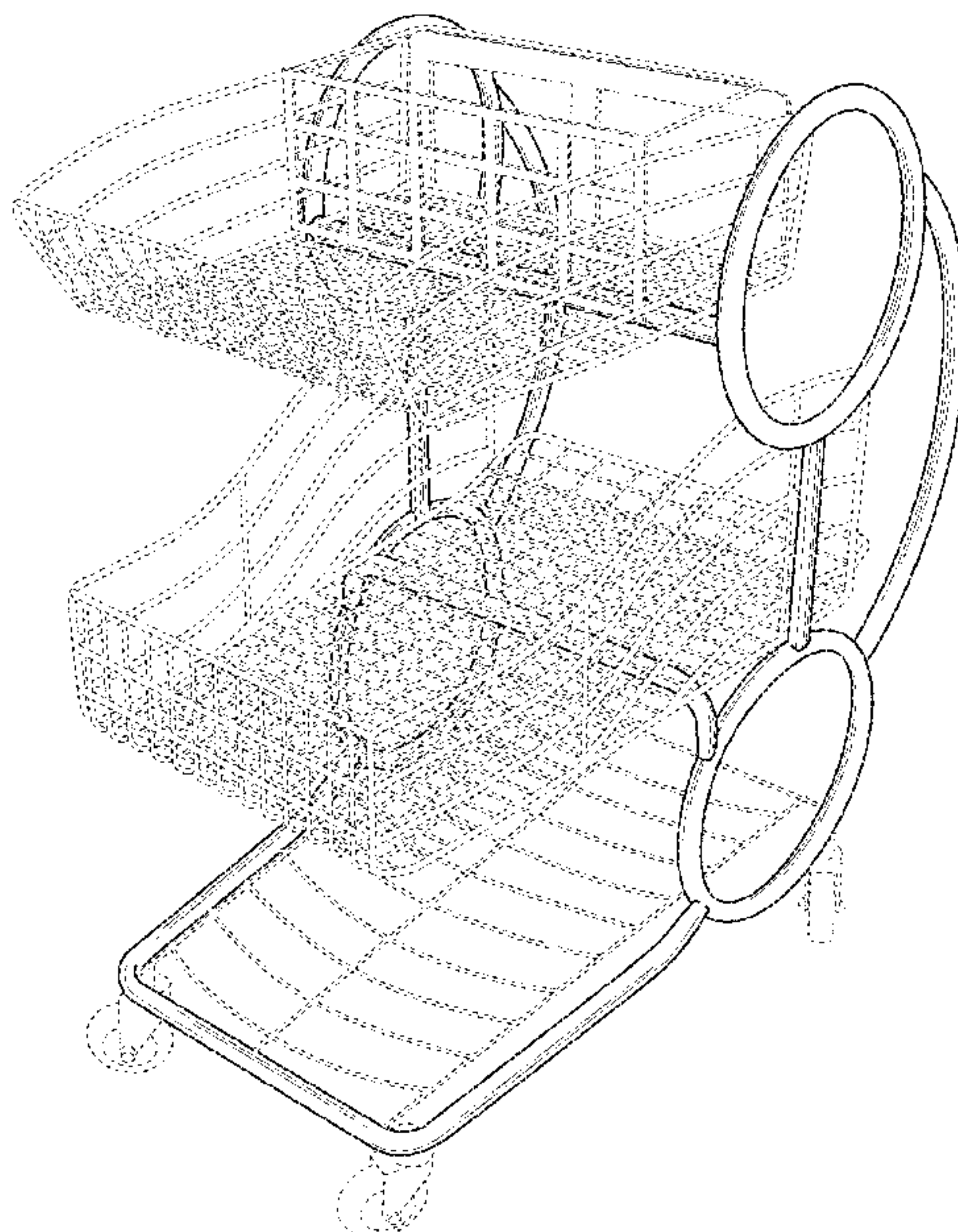
(57) **CLAIM**

The ornamental design for a cart, as shown and described.

DESCRIPTION

FIG. 1 is a perspective front left view of a cart showing our new design.
 FIG. 2 is a perspective view of the front of the cart of FIG. 1.
 FIG. 3 is a perspective front right view of the cart of FIG. 1.
 FIG. 4 is a perspective right side view of the cart of FIG. 1.
 FIG. 5 is a perspective back right view of the cart of FIG. 1.
 FIG. 6 is a perspective view of the back of the cart of FIG. 1.
 FIG. 7 is a perspective back left view of the cart of FIG. 1.
 FIG. 8 is a perspective left side view of the cart of FIG. 1; and,
 FIG. 9 is a perspective view of the top of the cart of FIG. 1.
 The broken lines are included for the purpose of illustrating portions of the cart and forms no part of the claimed design.

1 Claim, 9 Drawing Sheets



(56)

References Cited

U.S. PATENT DOCUMENTS

5,865,449	A	2/1999	Castaneda	
5,915,631	A	6/1999	Laxton et al.	
6,126,181	A	10/2000	Ondrasik	
D472,026	S	3/2003	Walter	
D526,107	S	8/2006	Duchene	
7,396,025	B2	7/2008	Ondrasik	
D577,172	S *	9/2008	Coderre	D34/12
D580,619	S *	11/2008	Walter	D34/21
7,566,069	B1	7/2009	Ortega et al.	
D606,723	S *	12/2009	Walter	D34/20
D607,173	S *	12/2009	Selvig	D34/21
7,681,891	B2	3/2010	Deal et al.	
7,766,347	B2	8/2010	Ryan et al.	
D633,269	S *	2/2011	Walter	D34/21
9,085,314	B2	7/2015	Selvig	
D742,612	S *	11/2015	Walter	D34/21
D749,286	S	2/2016	Sherman et al.	
2016/0257329	A1 *	9/2016	Sherman	B62B 3/144

OTHER PUBLICATIONS

Applicant's copending U.S. Appl. No. 29/550,895, 98 pages.
 Applicant's copending U.S. Appl. No. 29/550,896, 102 pages.
 Applicant's copending U.S. Appl. No. 29/550,898, 113 pages.
 Applicant's copending U.S. Appl. No. 29/550,899, 107 pages.
 Applicant's copending U.S. Appl. No. 29/550,900, 82 pages.
 Applicant's copending U.S. Appl. No. 29/554,140, 82 pages.
 Applicant's copending U.S. Appl. No. 15/051,658, 302 pages.

* cited by examiner

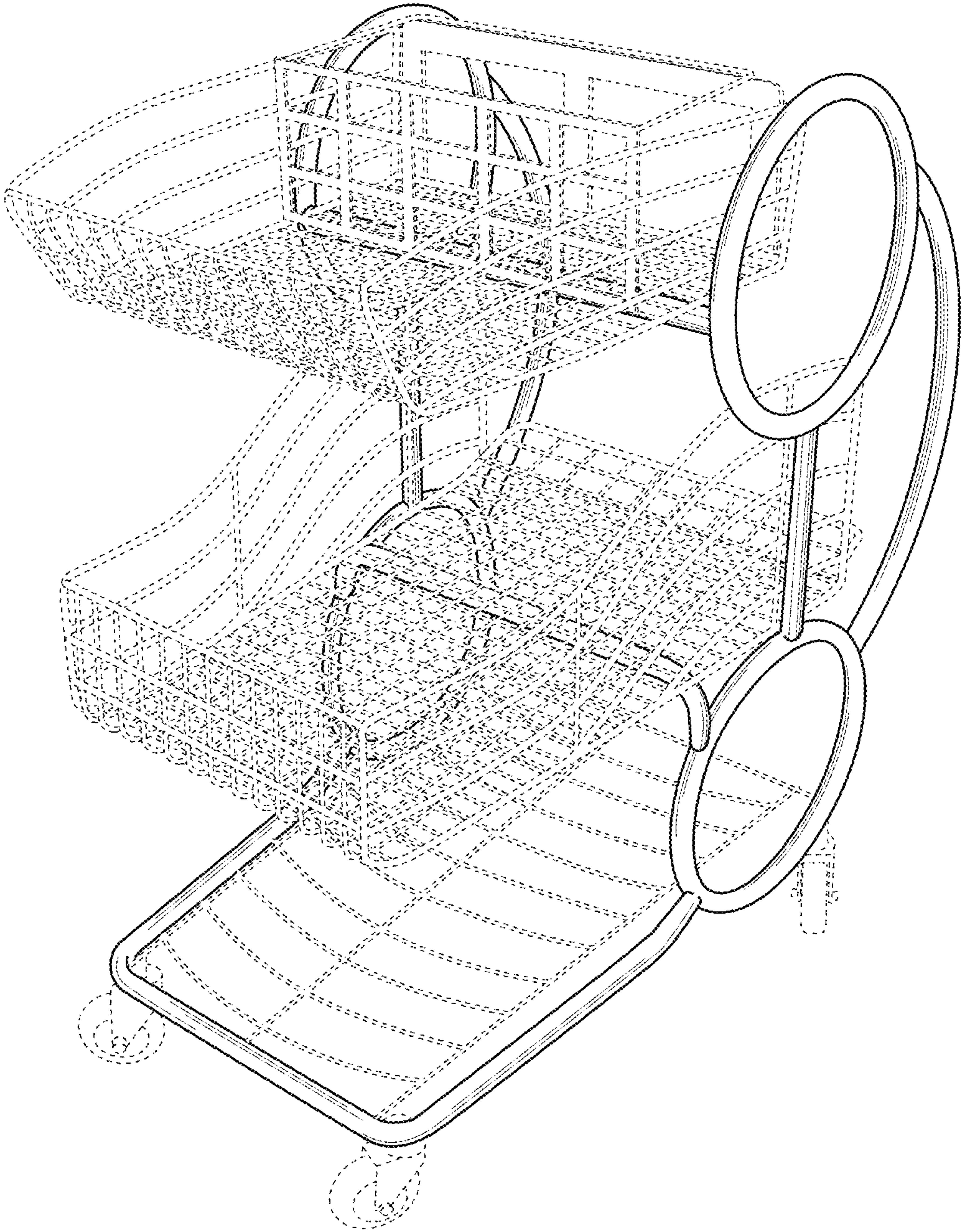


FIG. 1

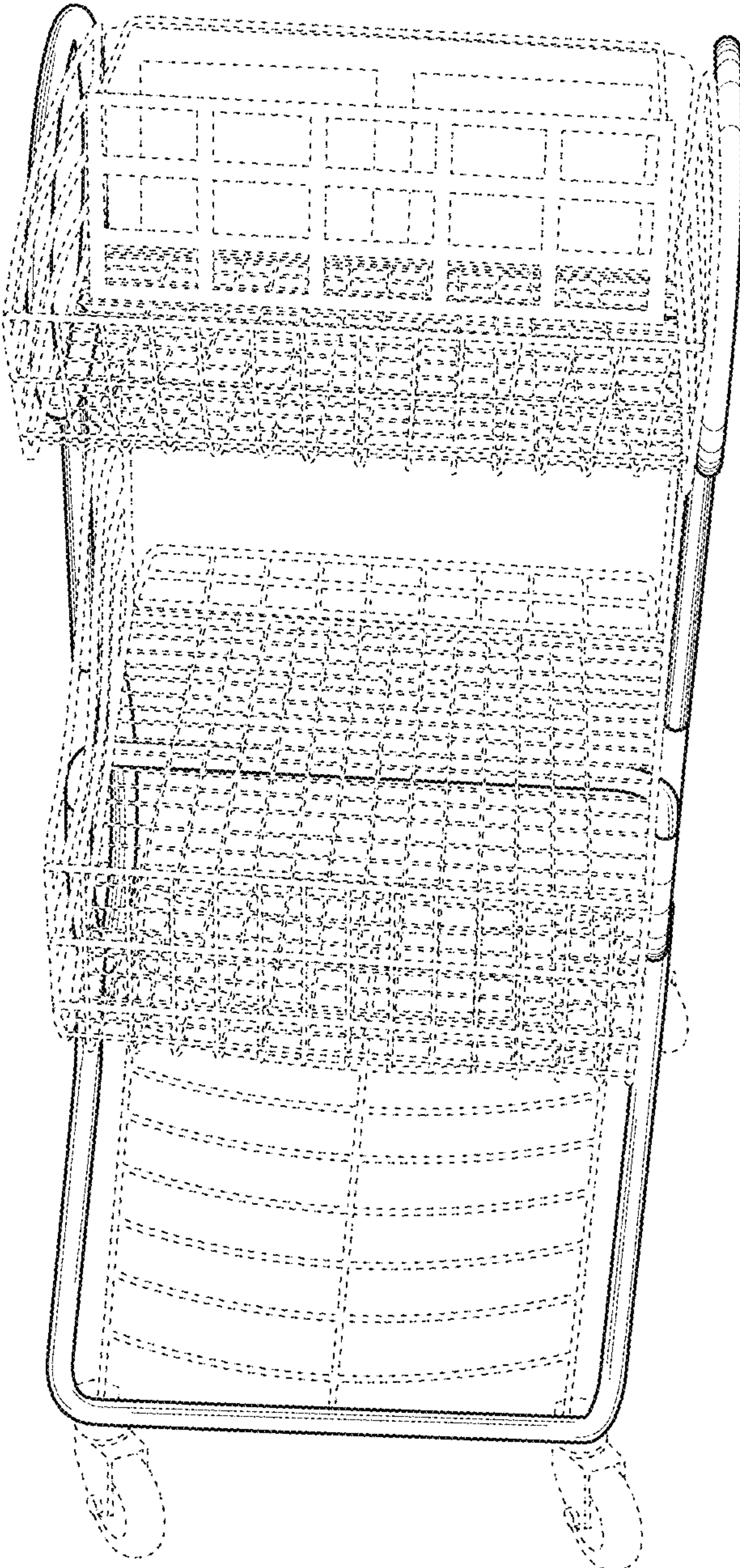


FIG. 2

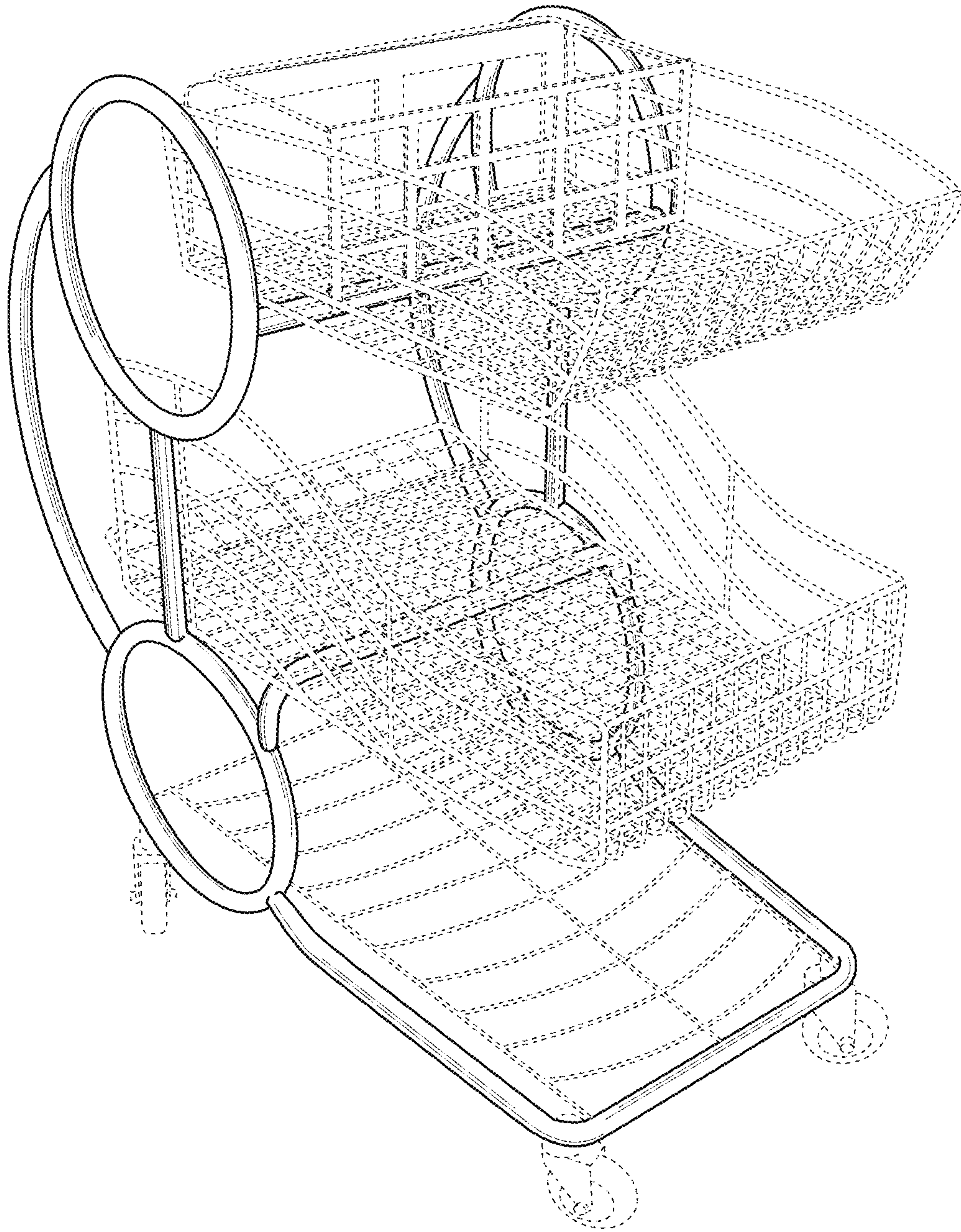


FIG. 3

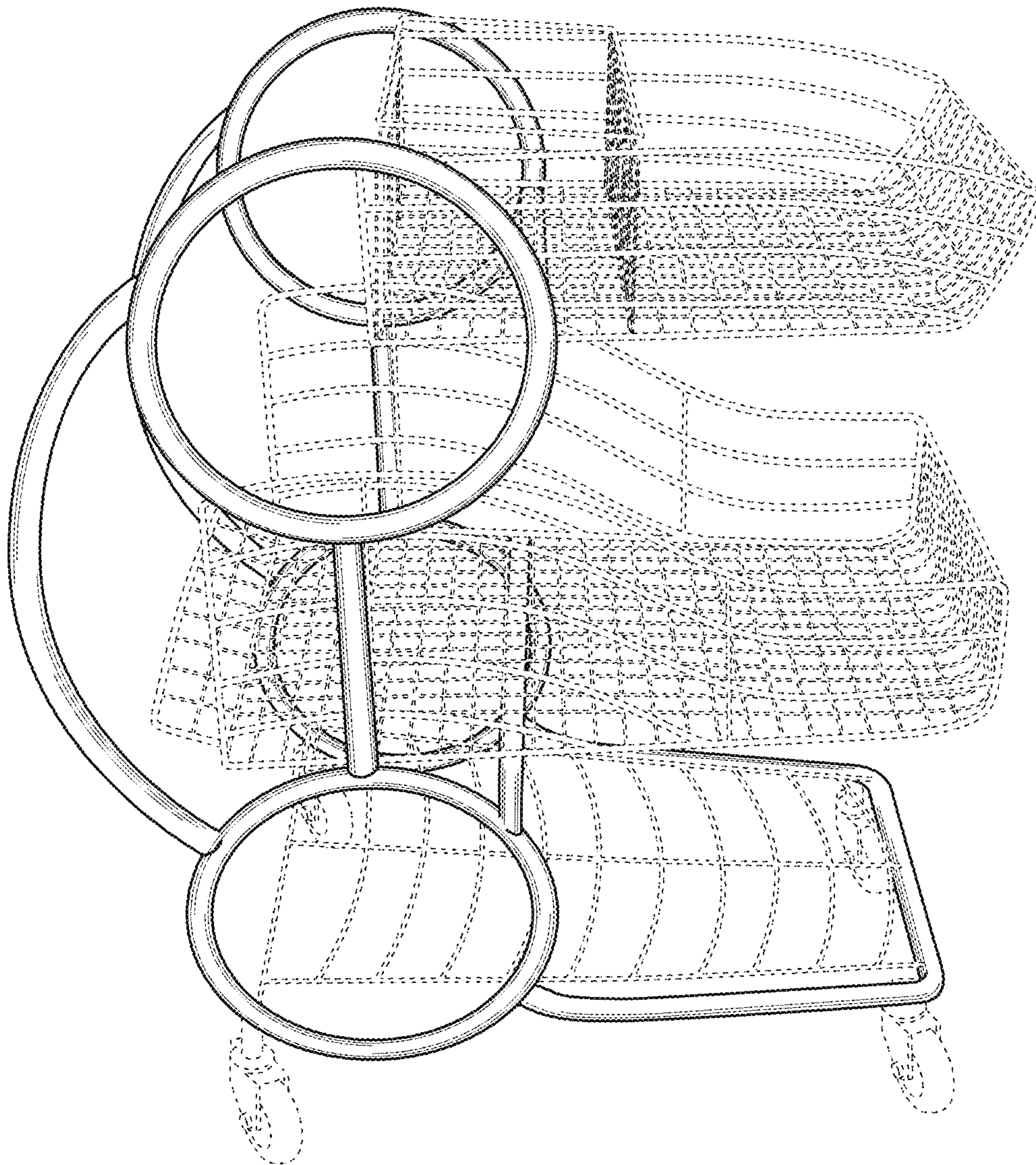


FIG. 4

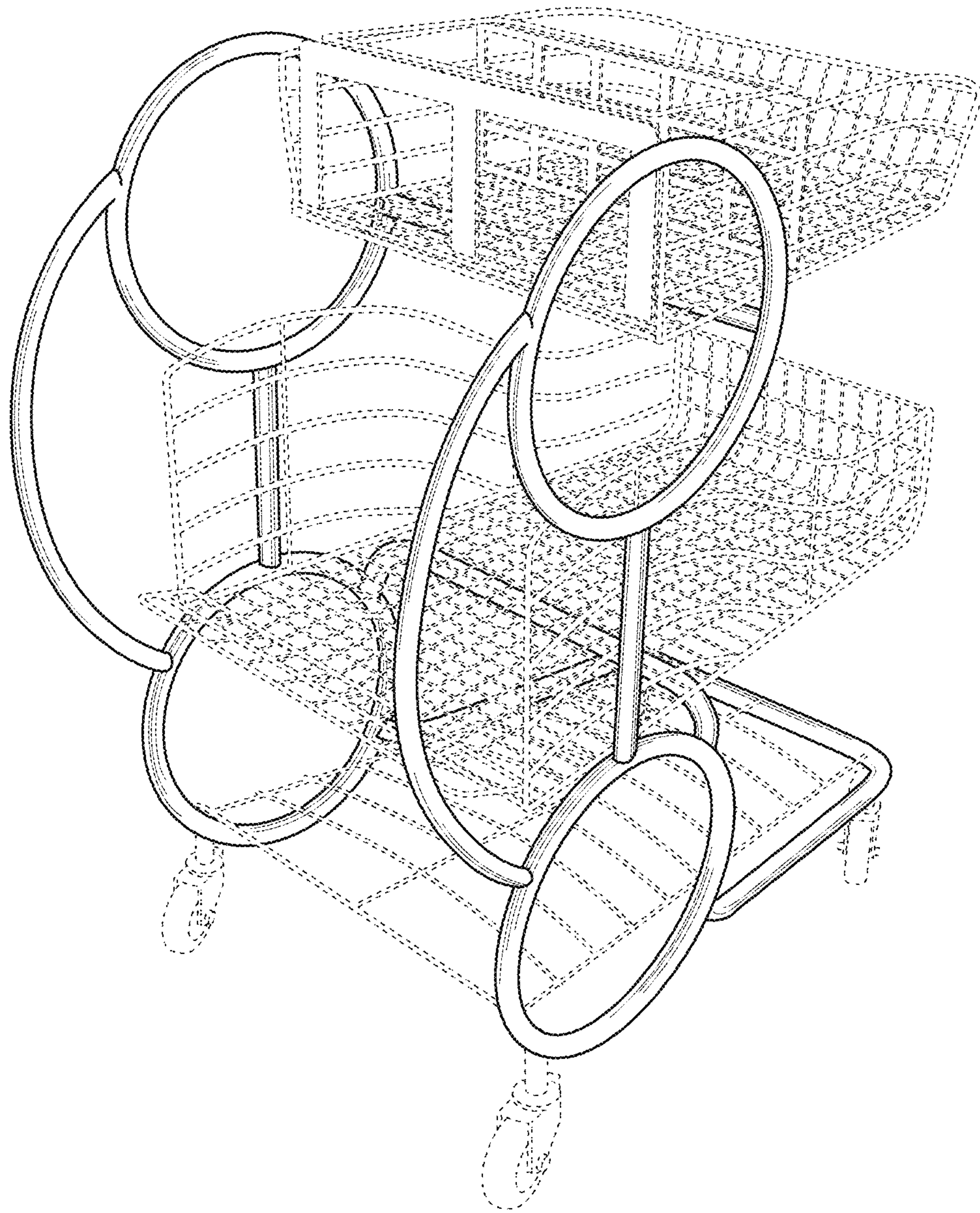


FIG. 5

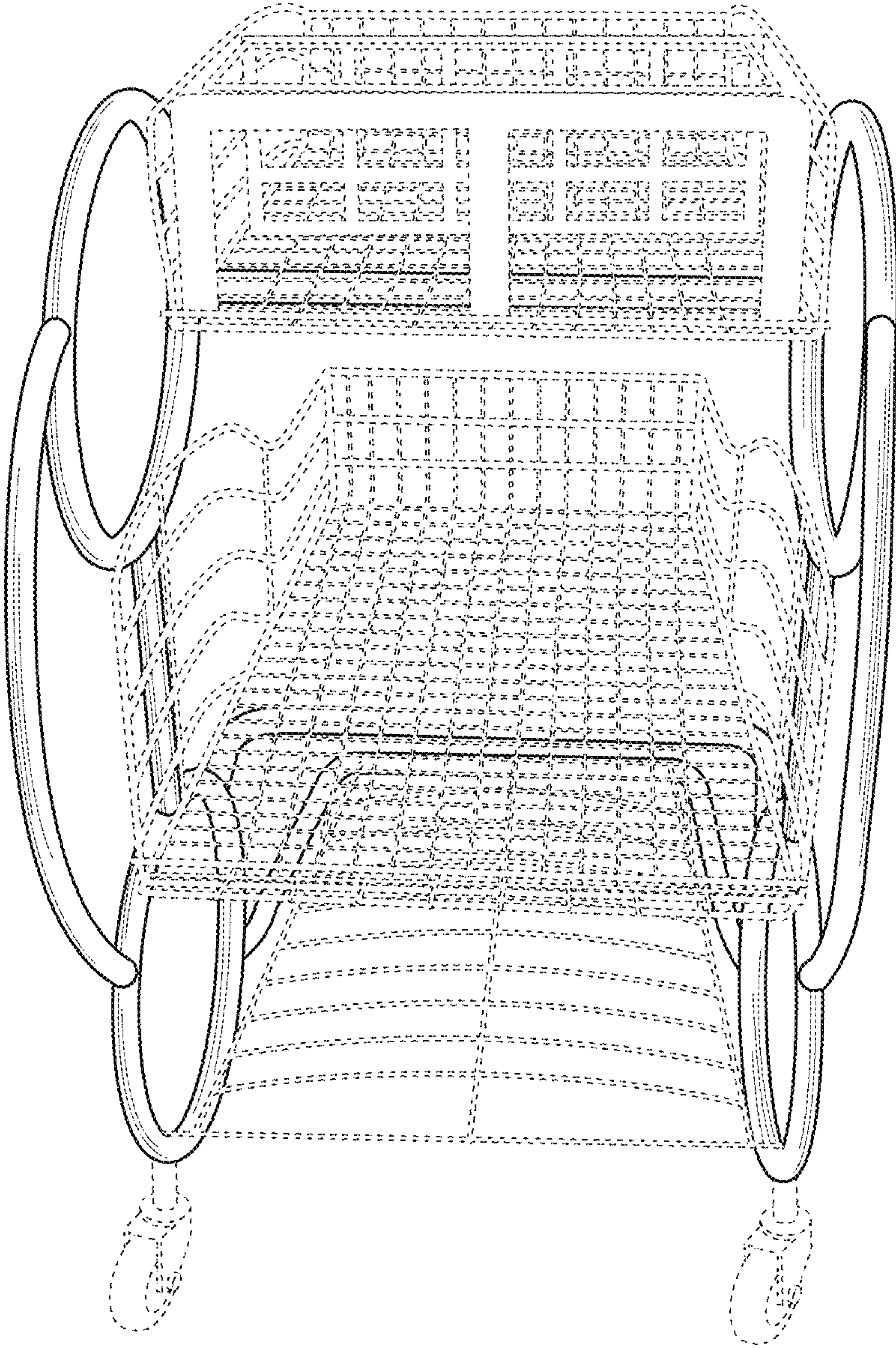


FIG. 6

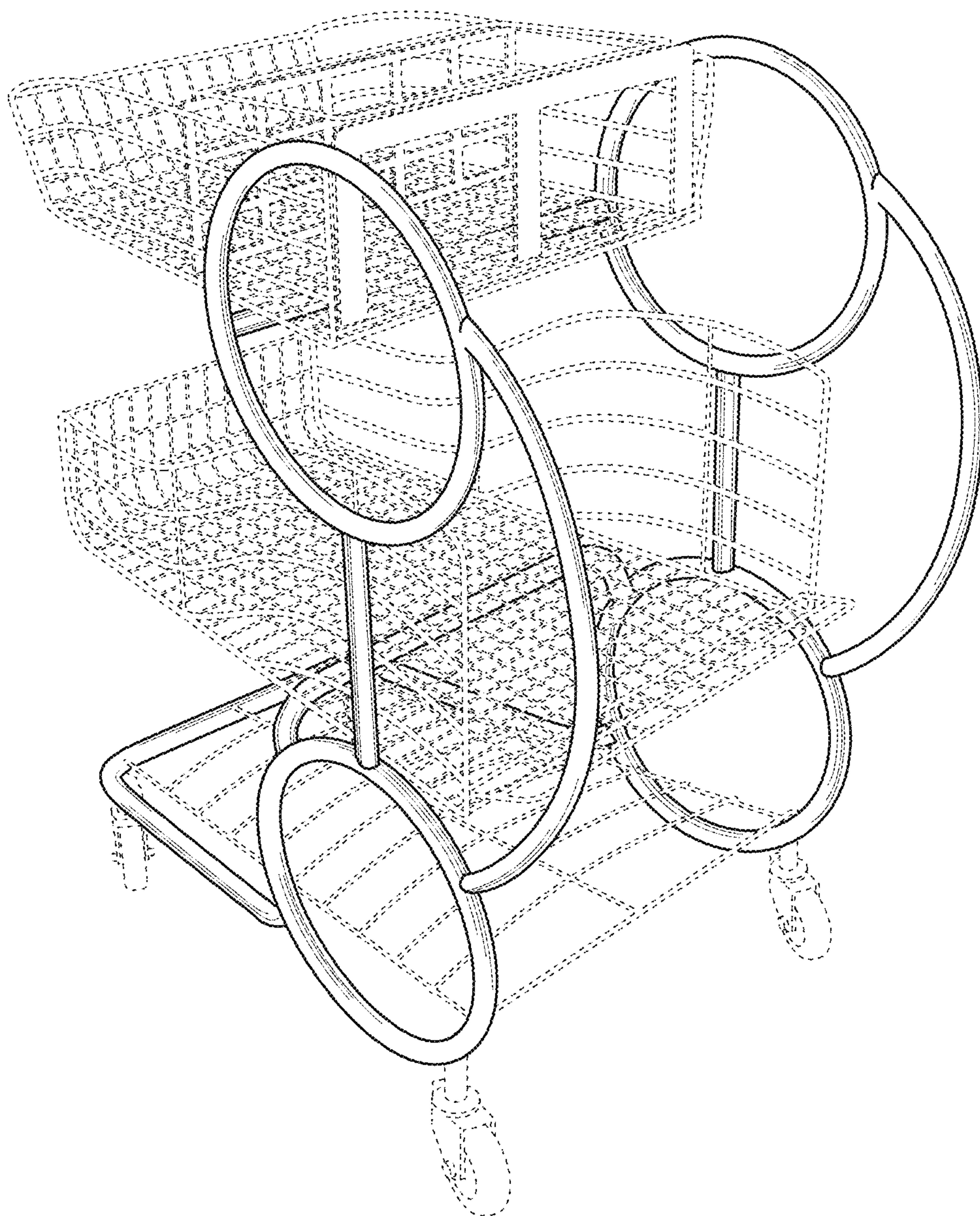


FIG. 7

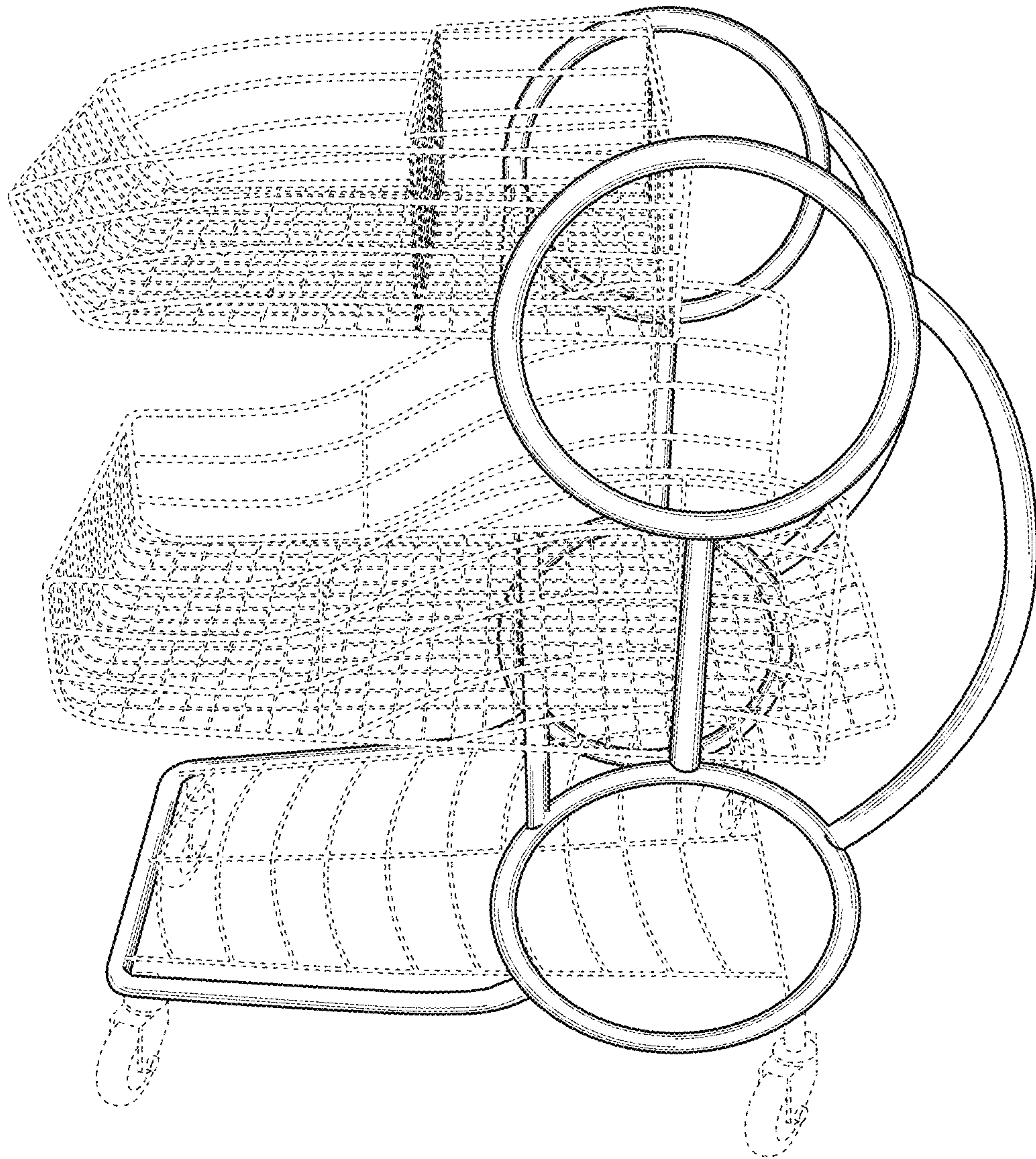


FIG. 8

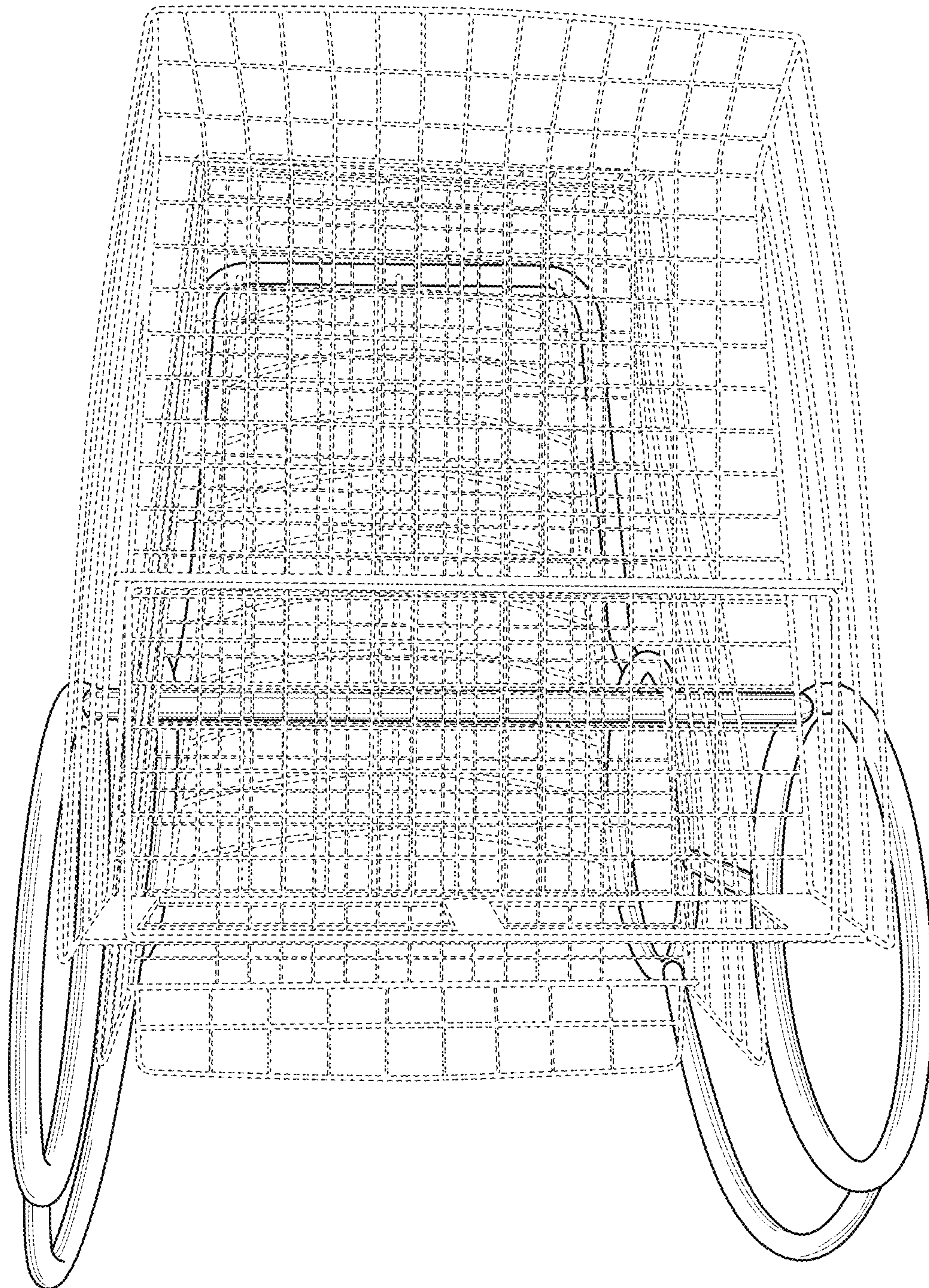


FIG. 9