



US00D790144S

(12) **United States Design Patent** (10) **Patent No.:** **US D790,144 S**  
**Kelly** (45) **Date of Patent:** **\*\* Jun. 20, 2017**

(54) **SURF GEAR ORGANIZER**  
(71) Applicant: **Phillip Earl Kelly**, San Diego, CA (US)  
(72) Inventor: **Phillip Earl Kelly**, San Diego, CA (US)  
(\*\*) Term: **15 Years**  
(21) Appl. No.: **29/575,966**  
(22) Filed: **Aug. 30, 2016**

**Related U.S. Application Data**

(63) Continuation-in-part of application No. 29/568,125, filed on Jun. 15, 2016.  
(51) **LOC (10) Cl.** ..... **07-05**  
(52) **U.S. Cl.**  
USPC ..... **D32/58**  
(58) **Field of Classification Search**  
USPC ..... D32/55, 276, 3, 58; D6/510, 525;  
211/41.5, 41.4, 41.3, 41.8, 195, 200;  
361/679.4; 312/311, 333, 334.4;  
D7/354, 629, 368  
CPC ..... D06F 18/00; F26B 25/18; F26B 9/10  
See application file for complete search history.

**References Cited**

**U.S. PATENT DOCUMENTS**

D156,010 S \* 11/1949 Hutchings ..... D32/58  
3,204,779 A \* 9/1965 Warner ..... A47F 5/13  
211/182  
D271,913 S \* 12/1983 Nanfito ..... D32/55  
4,978,043 A \* 12/1990 Uke ..... A47G 25/16  
211/113  
4,989,624 A \* 2/1991 Darling ..... A47G 25/14  
134/100.1

4,997,000 A \* 3/1991 Feast ..... D06F 18/00  
134/102.3  
D339,667 S \* 9/1993 Fitzpatrick ..... D32/58  
D355,288 S \* 2/1995 Mallen ..... D32/58  
D394,926 S \* 6/1998 Lindsay ..... D32/58  
5,862,924 A \* 1/1999 Dumont ..... A47G 25/0664  
211/118  
D487,831 S \* 3/2004 Savoie ..... D32/58  
6,749,073 B2 \* 6/2004 McNab ..... A47G 25/0671  
211/205  
D544,164 S \* 6/2007 Hinkens ..... D32/58  
D545,520 S \* 6/2007 Oberdorf ..... D32/58  
D682,499 S \* 5/2013 Williams ..... D32/58  
D683,096 S \* 5/2013 Stumpo ..... D32/58  
D720,907 S \* 1/2015 Perez ..... D32/58  
D734,910 S \* 7/2015 Ouyang ..... D32/58  
D737,532 S \* 8/2015 Oh ..... D32/58  
D741,037 S \* 10/2015 Mustari ..... D32/58  
D741,563 S \* 10/2015 Ouyang ..... D32/58

\* cited by examiner

*Primary Examiner* — Austin Murphy

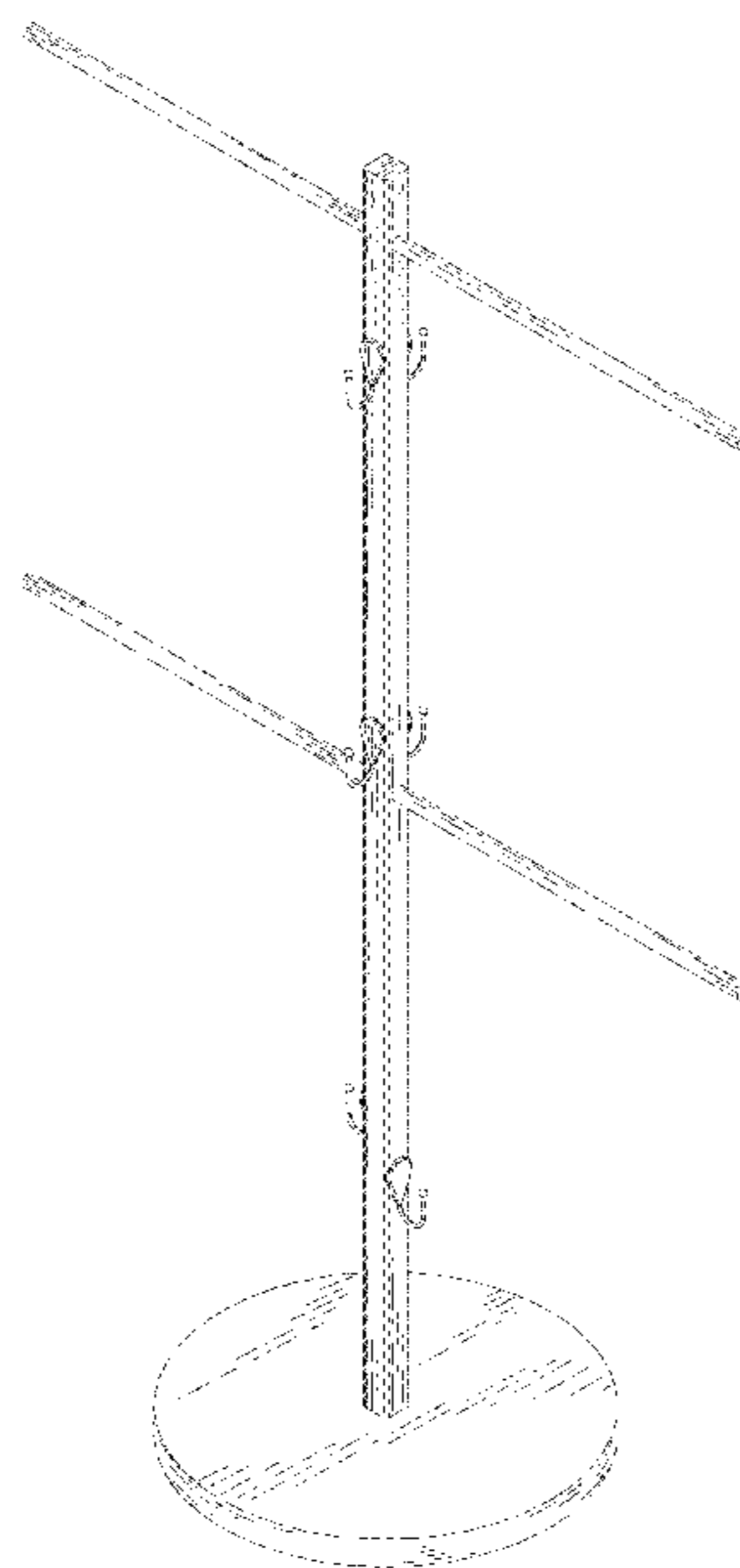
(57) **CLAIM**

The ornamental design for a surf gear organizer, as shown and described.

**DESCRIPTION**

FIG. 1 is a top right perspective view of a surf gear organizer showing our new design;  
FIG. 2 is a top left perspective view thereof;  
FIG. 3 is a bottom perspective view thereof;  
FIG. 4 is a front view thereof;  
FIG. 5 is a back view thereof;  
FIG. 6 is a top view thereof;  
FIG. 7 is a bottom view thereof;  
FIG. 8 is a left view thereof; and,  
FIG. 9 is a right view thereof.

**1 Claim, 9 Drawing Sheets**



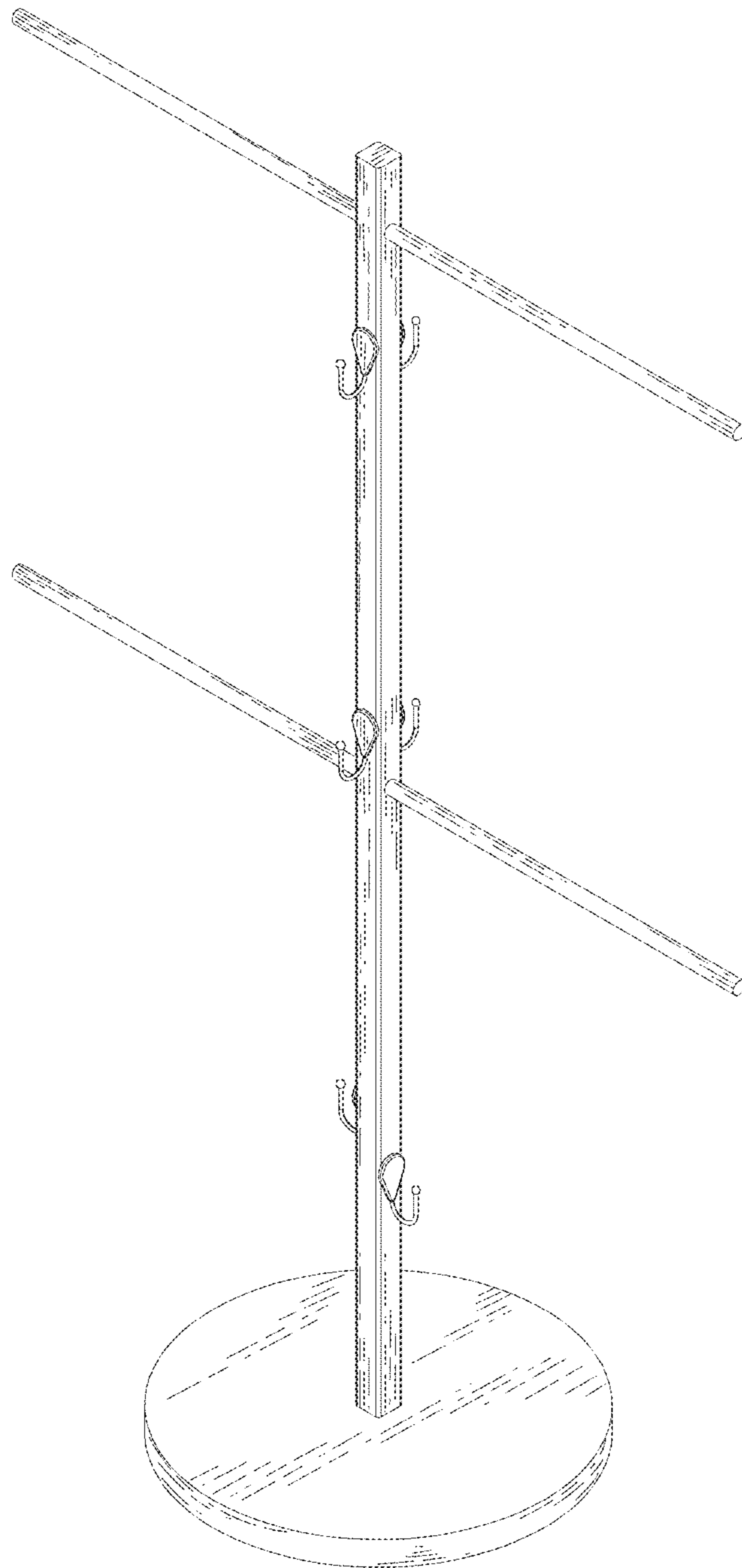


FIG. 1

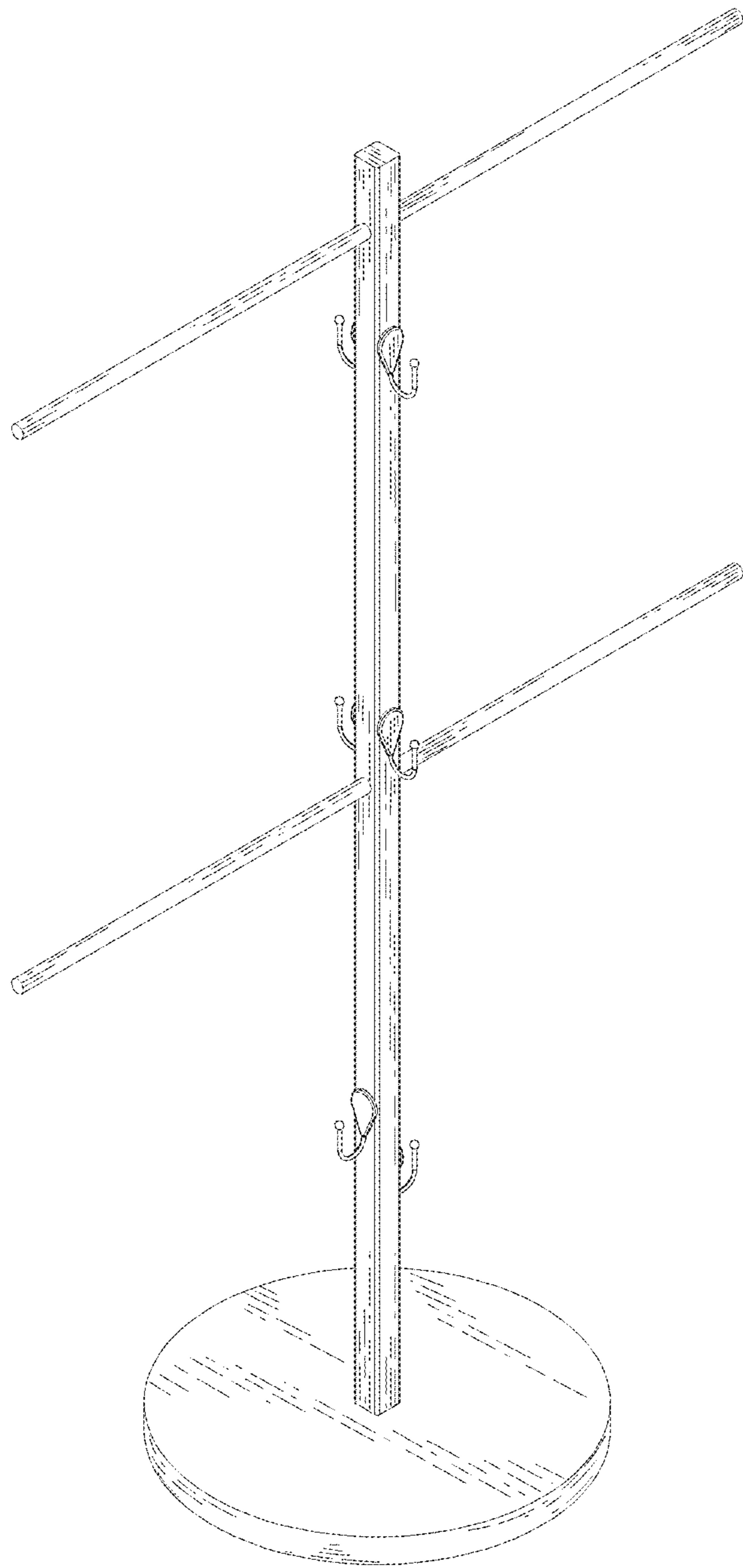


FIG. 2

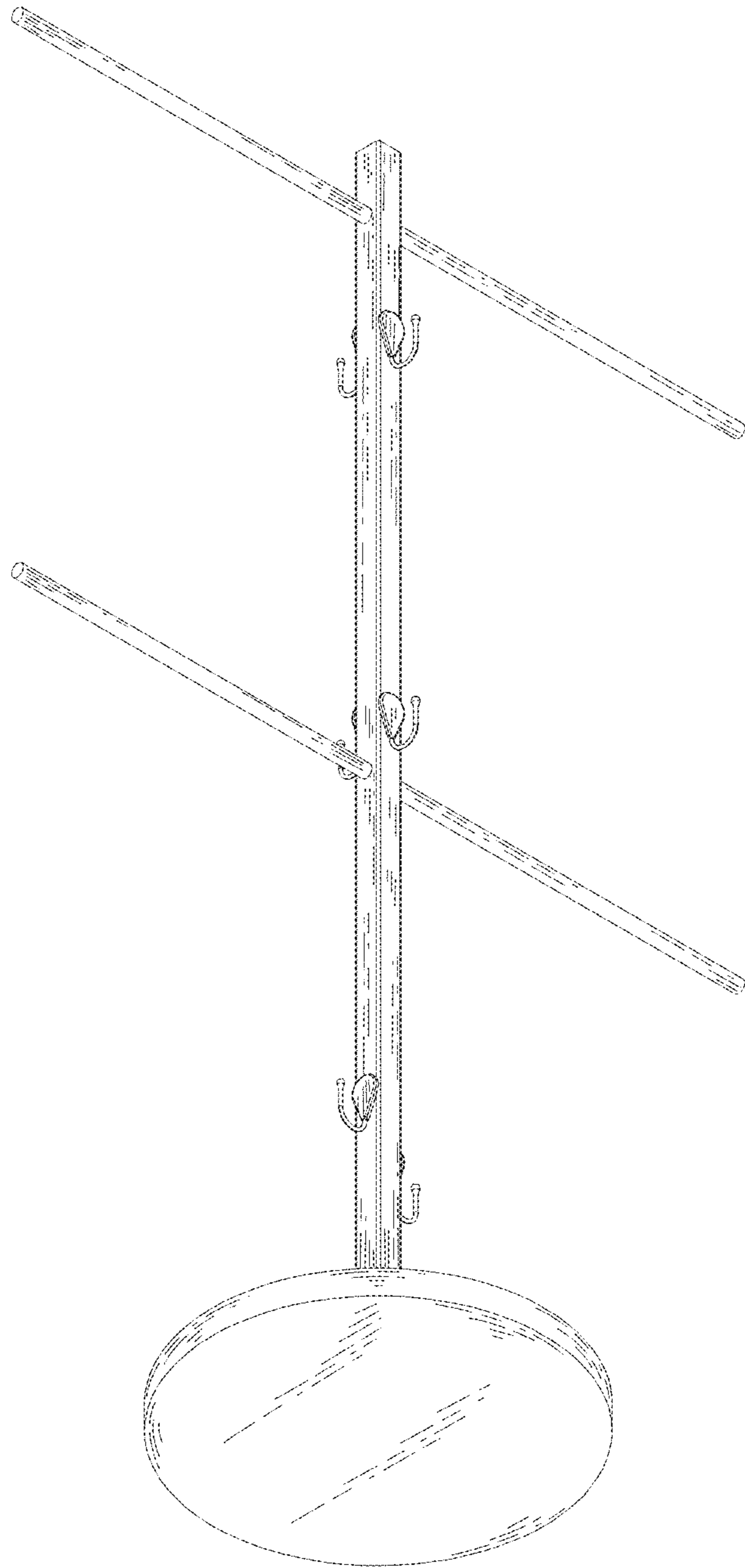


FIG. 3

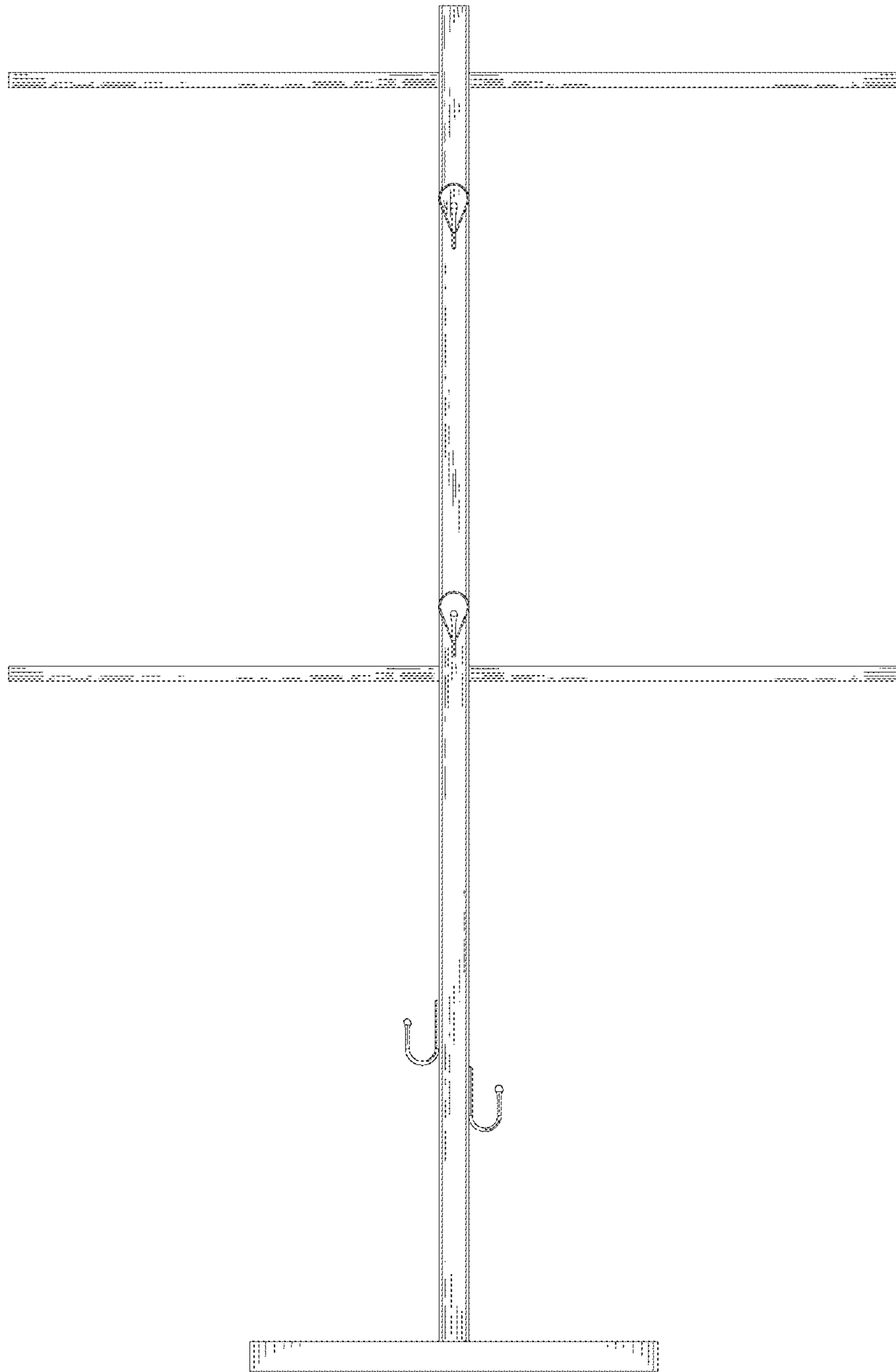


FIG. 4

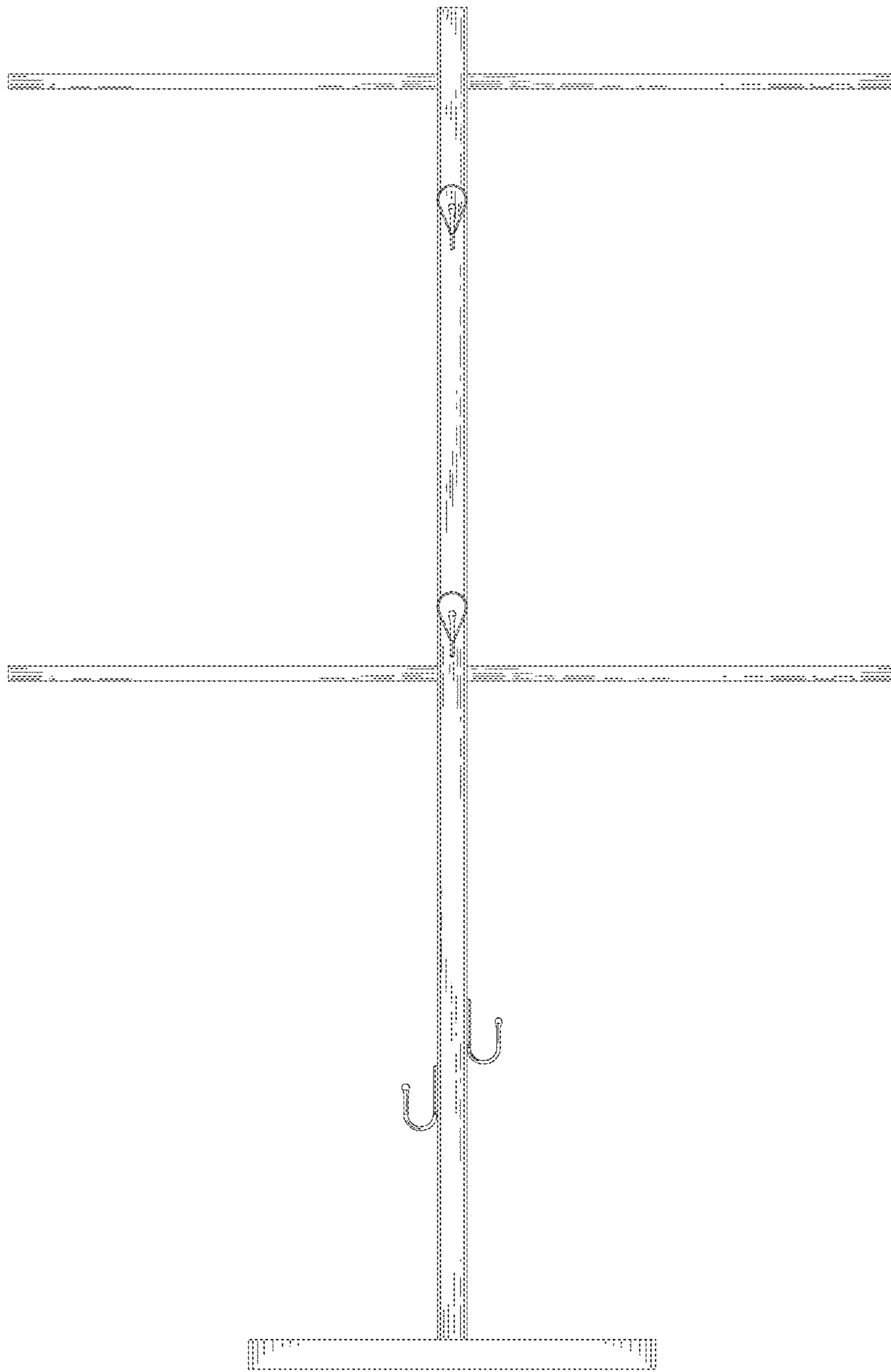


FIG. 5

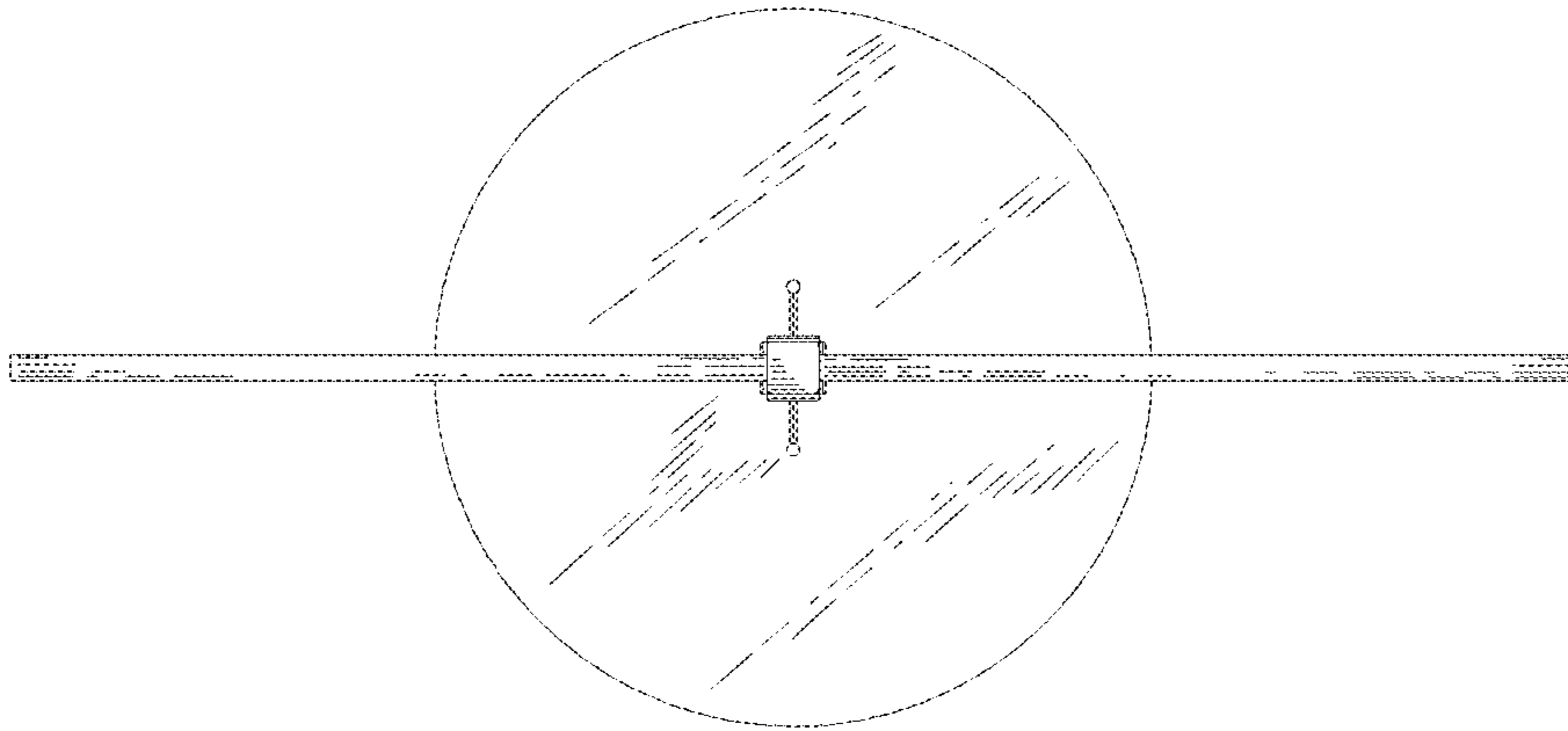


FIG. 6

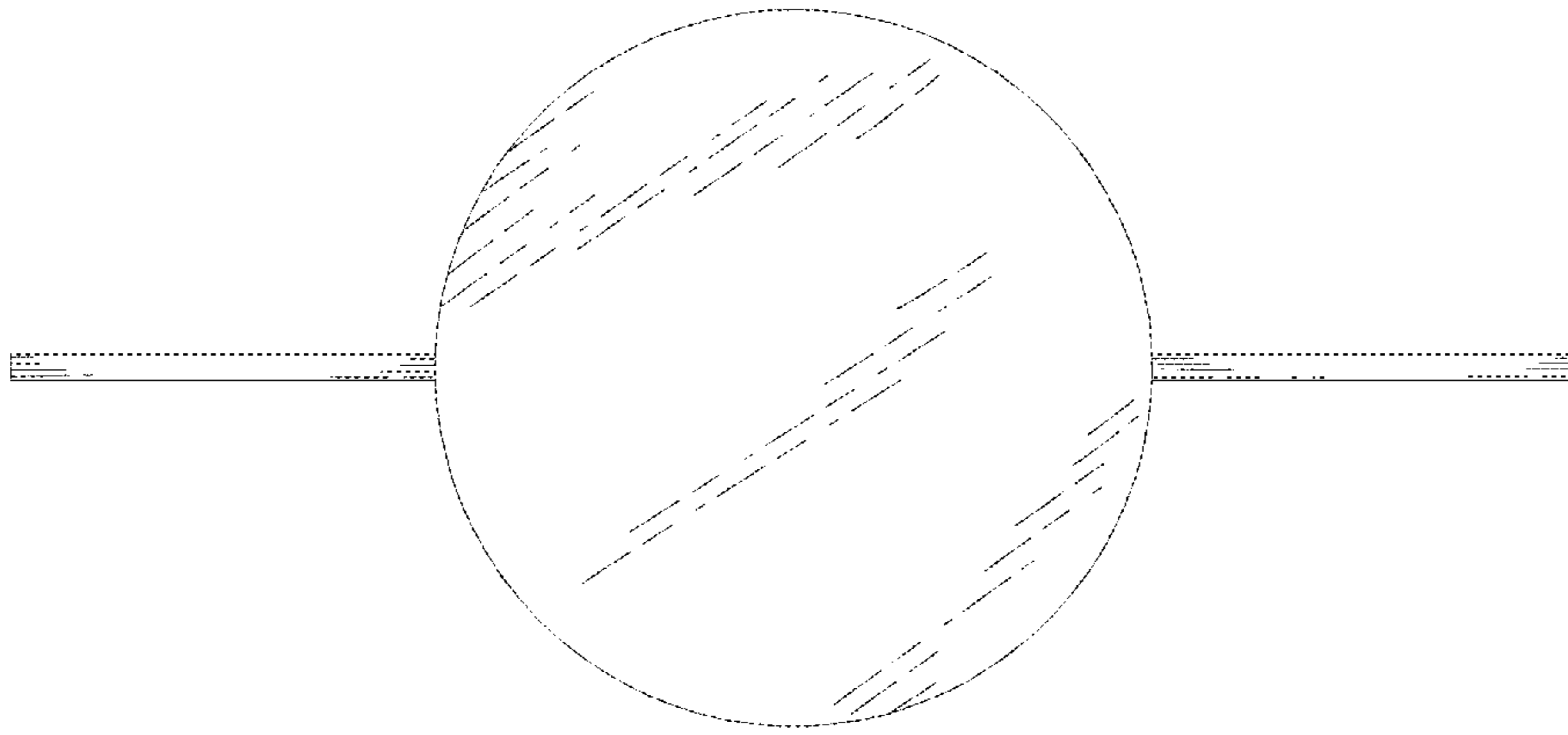


FIG. 7



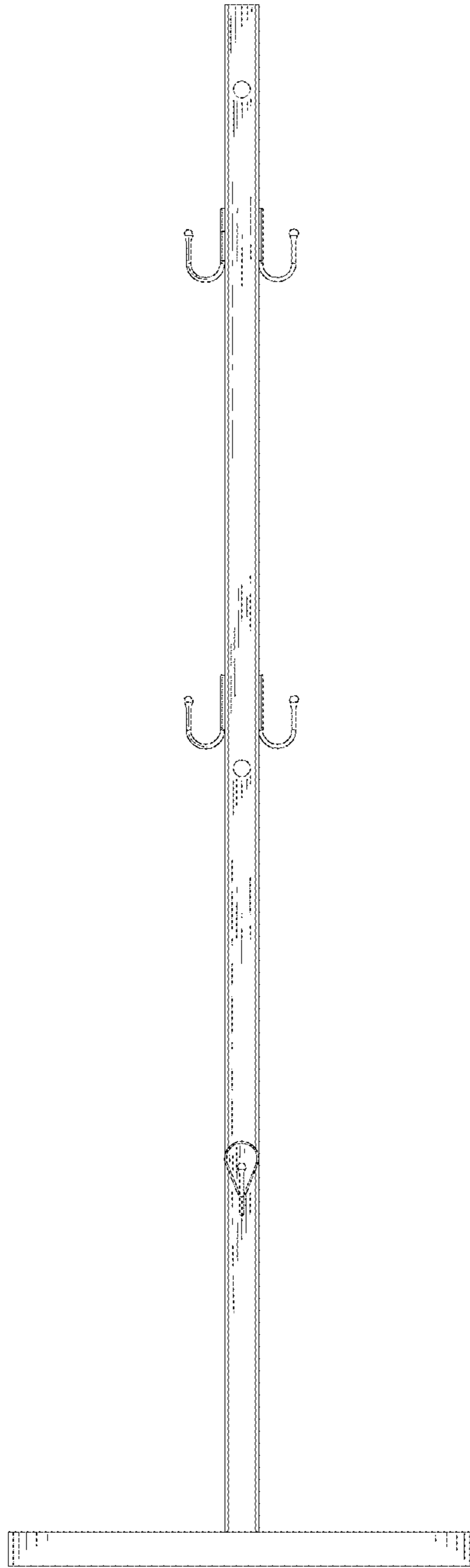


FIG. 8

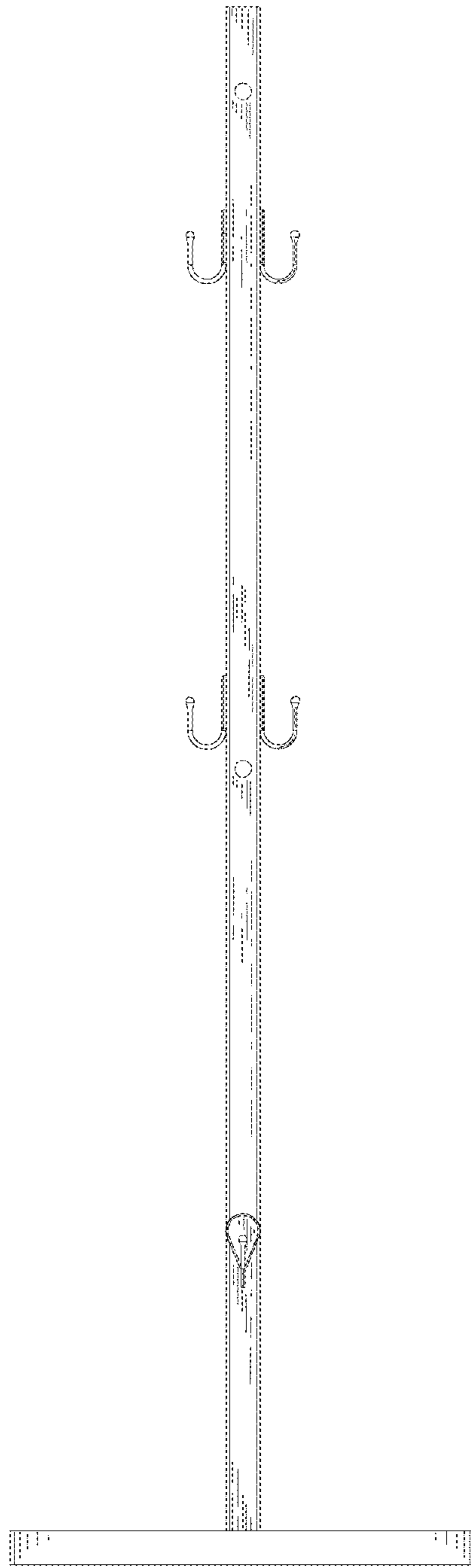


FIG. 9