



US00D790141S

(12) **United States Design Patent**  
**Verhoorn**

(10) **Patent No.:** **US D790,141 S**

(45) **Date of Patent:** **\*\* Jun. 20, 2017**

(54) **ROBOT**

(71) Applicant: **iRobot Corporation**, Bedford, MA  
(US)

(72) Inventor: **Derek Verhoorn**, Chelmsford, MA  
(US)

(73) Assignee: **iRobot Corporation**, Bedford, MA  
(US)

(\*\*) Term: **14 Years**

(21) Appl. No.: **29/517,444**

(22) Filed: **Feb. 12, 2015**

(51) **LOC (10) Cl.** ..... **15-05**

(52) **U.S. Cl.**  
USPC ..... **D32/31**

(58) **Field of Classification Search**  
USPC ..... D32/17-18, 21-22, 31-34  
CPC .. A47L 19/02; A47L 19/2842; A47L 19/0461;  
A47L 5/24; E04H 4/1654; E04H 4/169;  
E04H 4/1609; E04H 4/1618; E04H  
4/1636; E04H 4/16; E01H 1/0836  
See application file for complete search history.

(56) **References Cited**

**U.S. PATENT DOCUMENTS**

D556,961 S \* 12/2007 Swyst ..... D15/199  
D659,311 S 5/2012 Geringer et al.

D660,530 S \* 5/2012 Geringer ..... D32/21  
D670,877 S \* 11/2012 Geringer ..... D32/21  
D690,478 S \* 9/2013 Li ..... D32/21  
D714,002 S \* 9/2014 Casini ..... D32/21  
8,881,339 B2 11/2014 Gilbert et al.  
8,955,192 B2 2/2015 Gilbert et al.  
2016/0183752 A1\* 6/2016 Morin ..... F24F 3/1603  
134/18

\* cited by examiner

*Primary Examiner* — Ruth McInroy

(74) *Attorney, Agent, or Firm* — Fish & Richardson P.C.

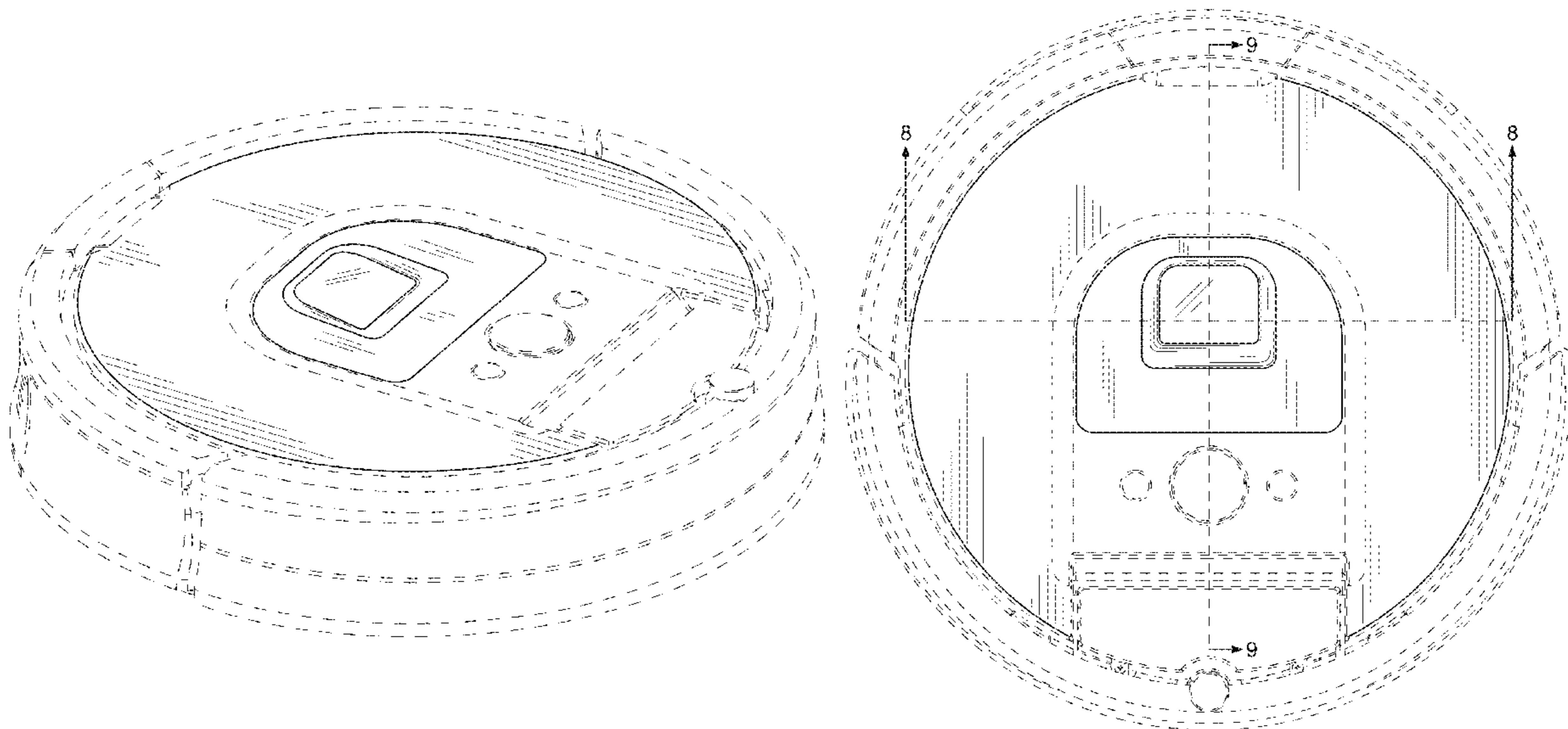
(57) **CLAIM**

The ornamental design for a robot, as shown and described.

**DESCRIPTION**

FIG. 1 is a perspective view of a robot showing my new design;  
FIG. 2 is a top view thereof;  
FIG. 3 is a bottom view thereof;  
FIG. 4 is a rear view thereof;  
FIG. 5 is a front view thereof;  
FIG. 6 is a right side view thereof;  
FIG. 7 is a left side view thereof;  
FIG. 8 is a section view through the upper surface of the robot, taken along line 8-8 in FIG. 2; and,  
FIG. 9 is a section view through the upper surface of the robot, taken along line 9-9 in FIG. 2.  
The broken lines indicate environmental features that form no part of the claimed design.

**1 Claim, 6 Drawing Sheets**



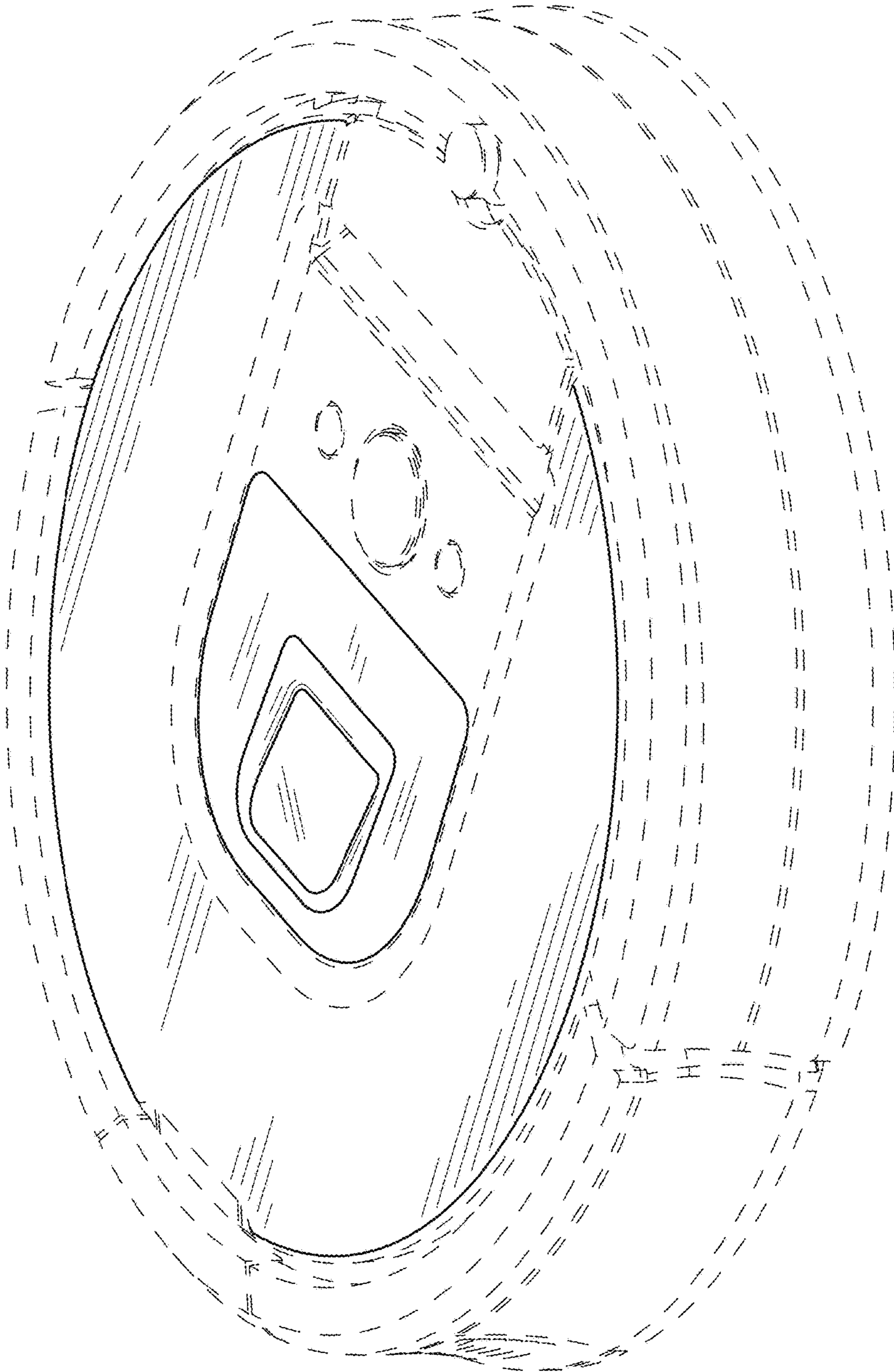


FIG. 1

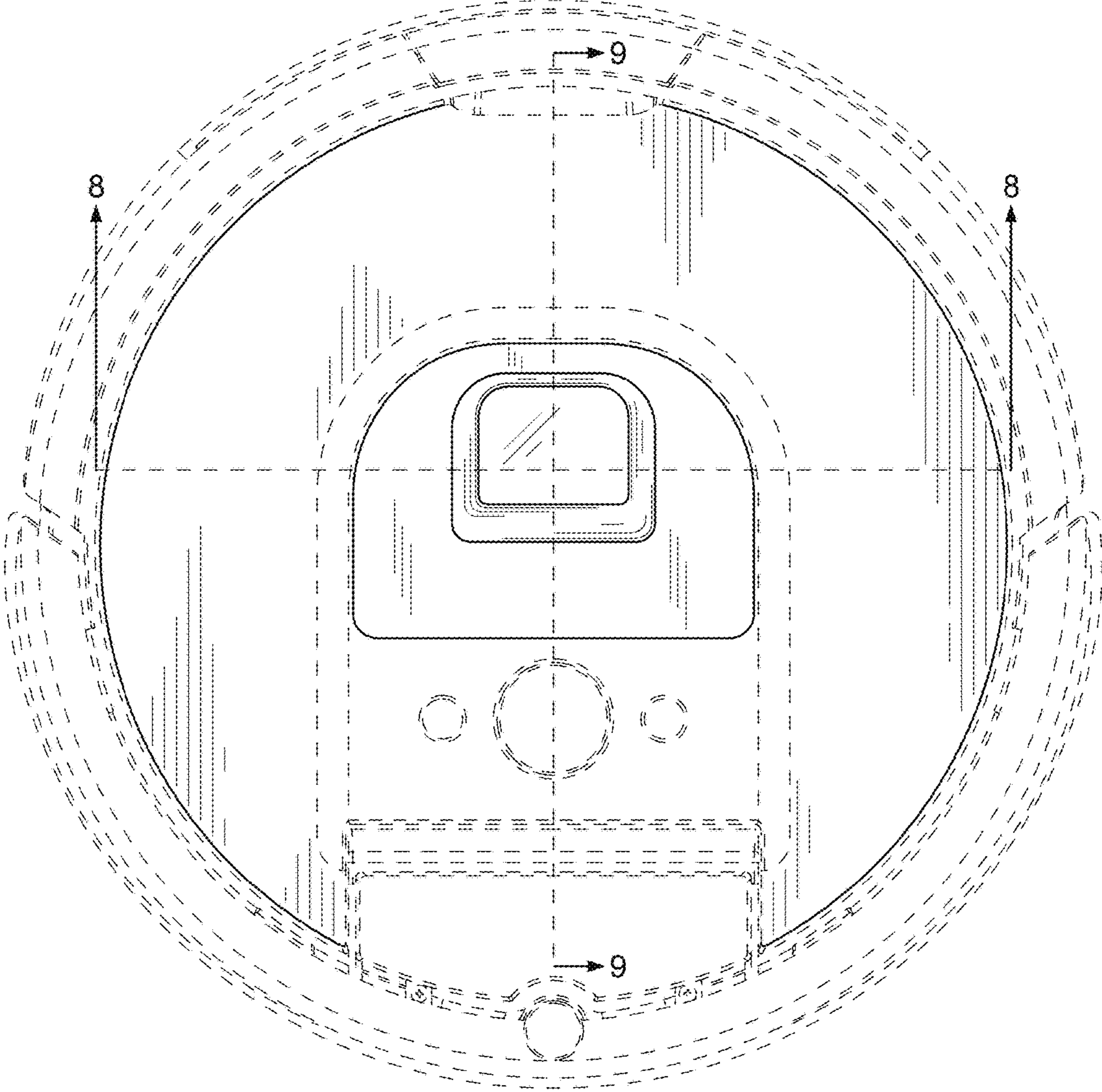


FIG. 2

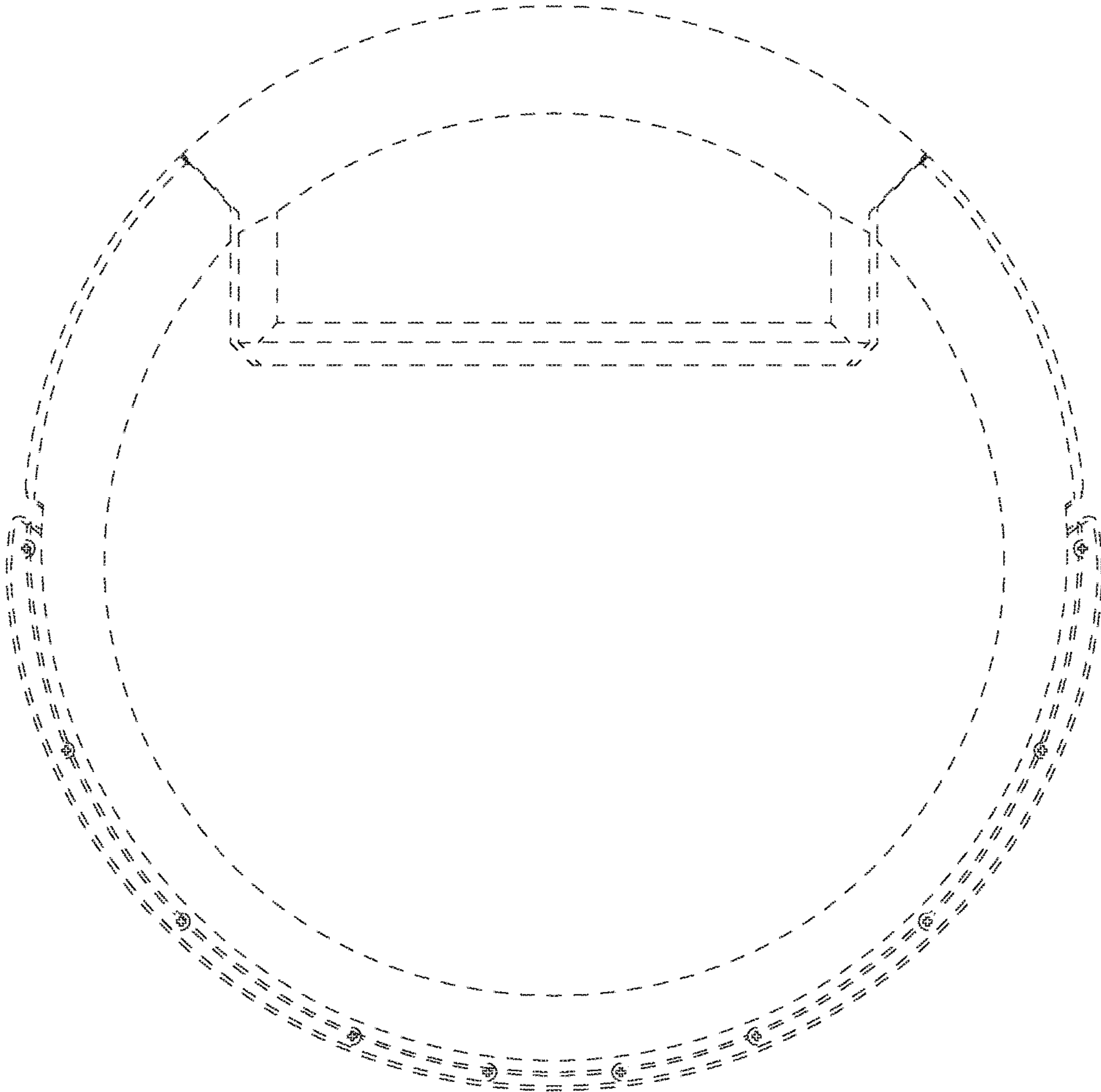


FIG. 3

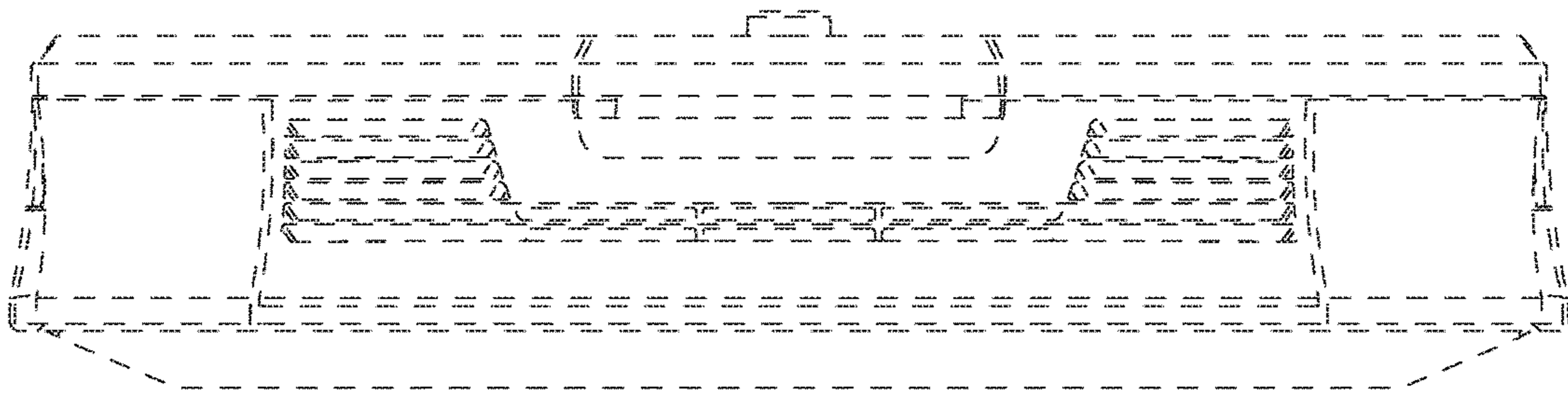


FIG. 4

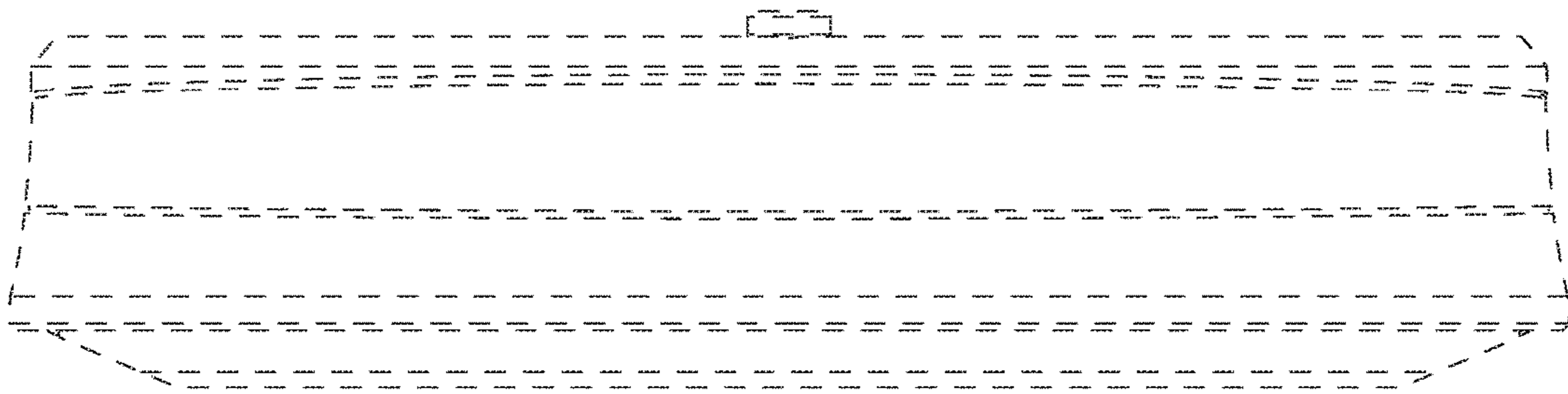


FIG. 5

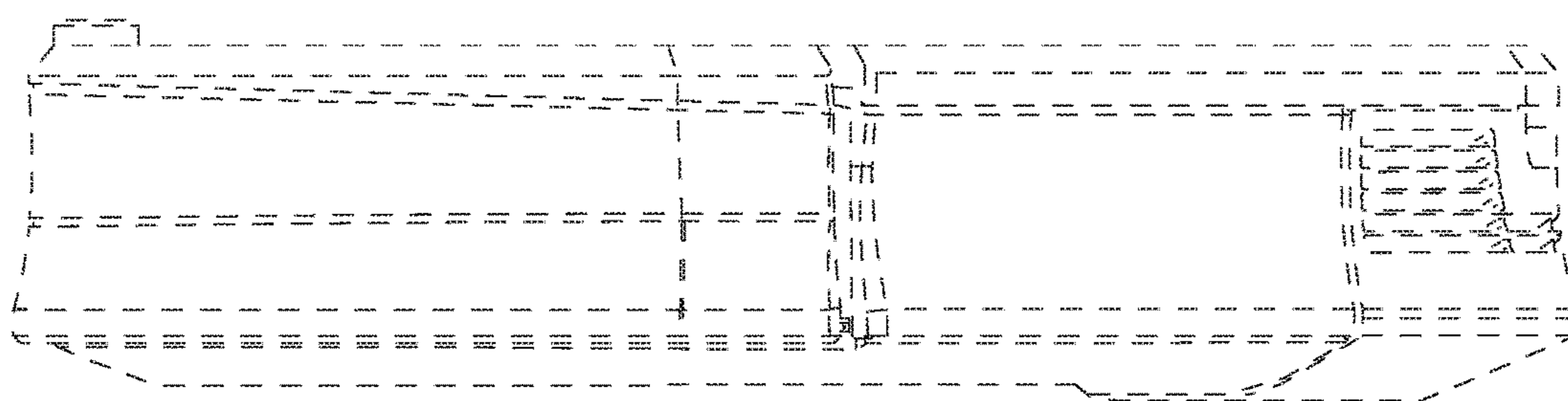


FIG. 6

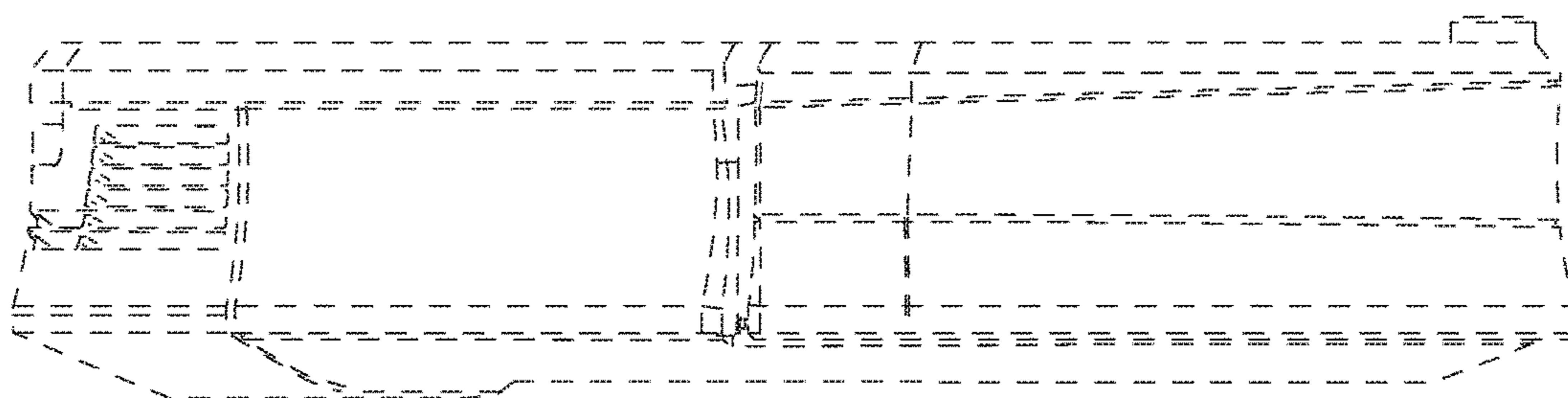


FIG. 7



FIG. 8

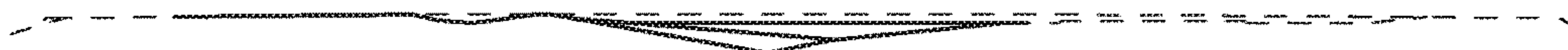


FIG. 9