



US00D790137S

(12) **United States Design Patent** (10) **Patent No.:** **US D790,137 S**
Scotti (45) **Date of Patent:** **** Jun. 20, 2017**

(54) **BEEHIVE STAND**

- (71) Applicant: **Eric Scotti**, San Antonio, TX (US)
- (72) Inventor: **Eric Scotti**, San Antonio, TX (US)
- (**) Term: **15 Years**
- (21) Appl. No.: **29/569,594**
- (22) Filed: **Jun. 29, 2016**
- (51) **LOC (10) Cl.** **30-02**
- (52) **U.S. Cl.**
USPC **D30/120**
- (58) **Field of Classification Search**
USPC D30/108, 109, 113, 114, 115, 116, 117,
D30/118, 119, 120; D25/152, 153, 154,
D25/155, 156
CPC A01K 47/06
See application file for complete search history.

(56) **References Cited**

U.S. PATENT DOCUMENTS

77,139	A	4/1868	Walsh	
343,212	A *	6/1886	Walker	A01K 47/06 449/25
2,789,531	A *	4/1957	Diefendorf	A01K 31/08 119/461
2,827,643	A	3/1958	Affeld	
D271,256	S *	11/1983	McClelland	D6/349
5,125,646	A *	6/1992	Wilkinson	A47B 9/14 248/188.2
D376,447	S *	12/1996	Stump	D30/118
5,765,505	A *	6/1998	Yun	A01K 31/06 119/432
D440,717	S *	4/2001	Fazio	D30/119
D535,444	S *	1/2007	Rahman	D30/118
D659,293	S *	5/2012	Ferguson	D30/108
D661,029	S *	5/2012	Grigg	D30/112
D693,969	S *	11/2013	Spehar	D30/119
D738,132	S *	9/2015	Citterio	D6/392
9,345,228	B2 *	5/2016	Lowery	A01K 1/0353
2014/0370782	A1	12/2014	Barton	

OTHER PUBLICATIONS

- “Beehive Stand”. Found online Apr. 10, 2017 at beestands.com. Page dated Feb. 14, 2015. Retrieved from <http://web.archive.org/web/20150214053209/http://www.beestands.com/>.*
- “Upgraded Beehive Stand”. Found online Apr. 10, 2017 at billschaos.blogspot.com. Page dated Jul. 21, 2012. Retrieved from <http://billschaos.blogspot.com/2012/07/upgraded-beehive-stand.html>.*
- “Ultimate Hive Stand for Beekeepers”. Found online Apr. 6, 2017 at amazon.com. Page dated Mar. 31, 2015. Retrieved from https://www.amazon.com/Ultimate-Hive-Stand-Beekeepers-Frame/dp/B00T9YVFUW/ref=cm_cr_ar_p_d_product_top?ie=UTF8.*
- “Cheap Hive Stand”. Found online Apr. 10, 2017 at forum.honeyflow.com. Page dated Jul. 2015. Retrieved from <http://forum.honeyflow.com/t/cheap-hive-stand/2675>.*

* cited by examiner

Primary Examiner — Robert M Spear
Assistant Examiner — Kendra L Hamilton
(74) *Attorney, Agent, or Firm* — Gunn, Lee & Cave, P.C.

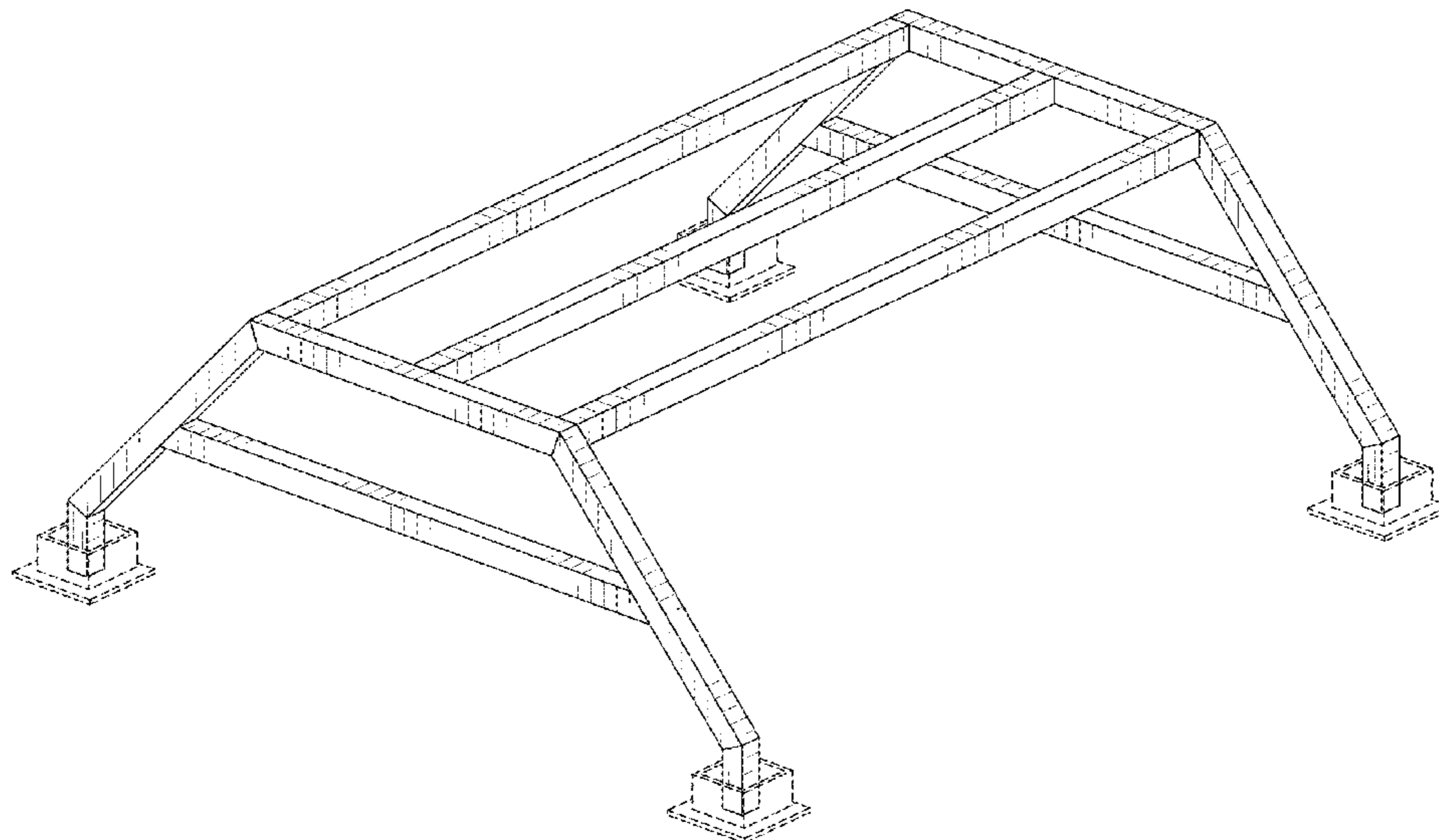
(57) **CLAIM**

An ornamental design for a beehive stand, as shown and described.

DESCRIPTION

FIG. 1 is a top perspective view.
FIG. 2 is an end view. The front and back of the stand are identical.
FIG. 3 is a side view. The left and right sides of the stand are identical.
FIG. 4 is a top view; and,
FIG. 5 is a bottom view.
The broken lines used in the drawings show the environment related to the claimed design and form no part of the claimed design.

1 Claim, 4 Drawing Sheets



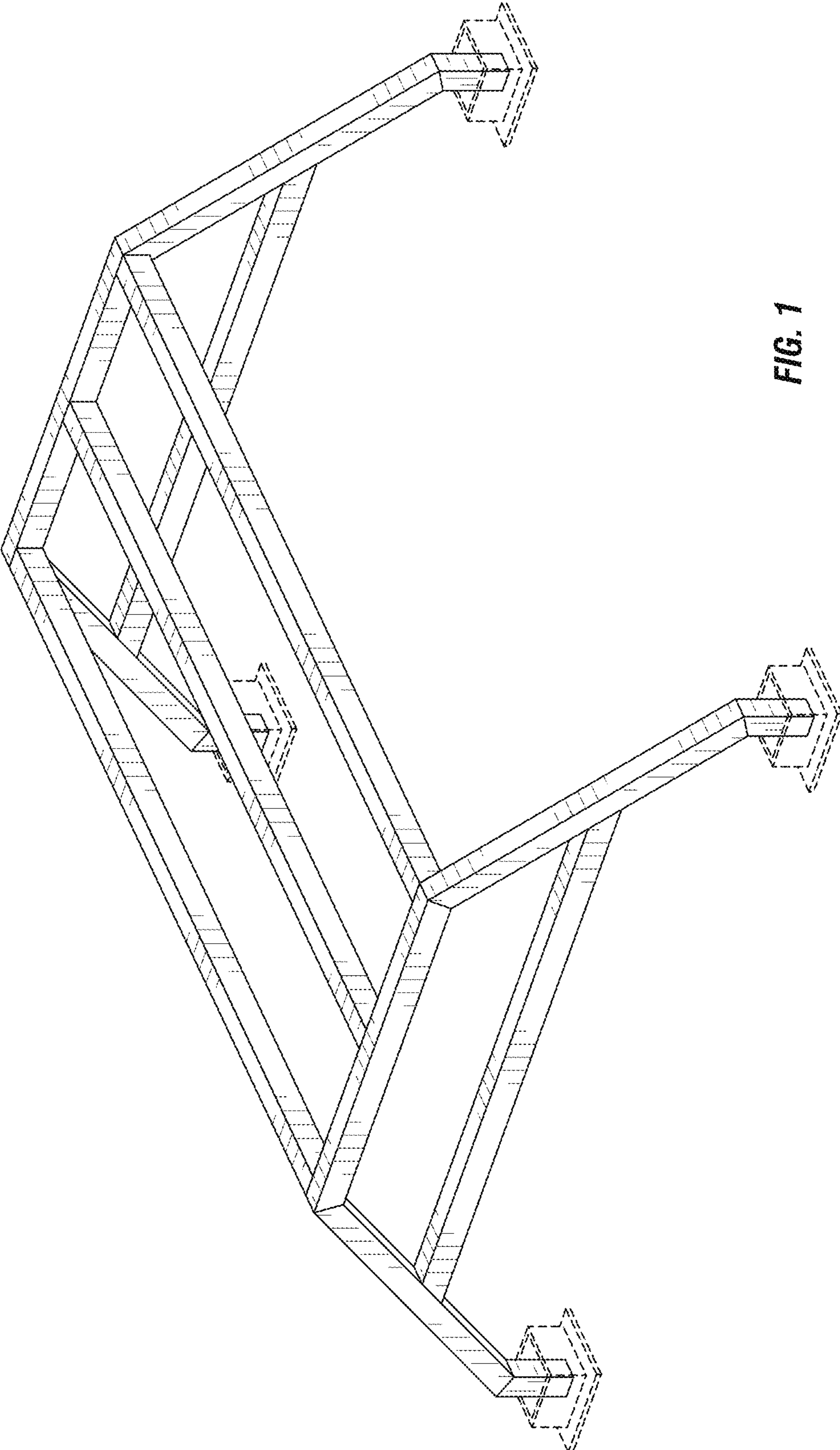


FIG. 1

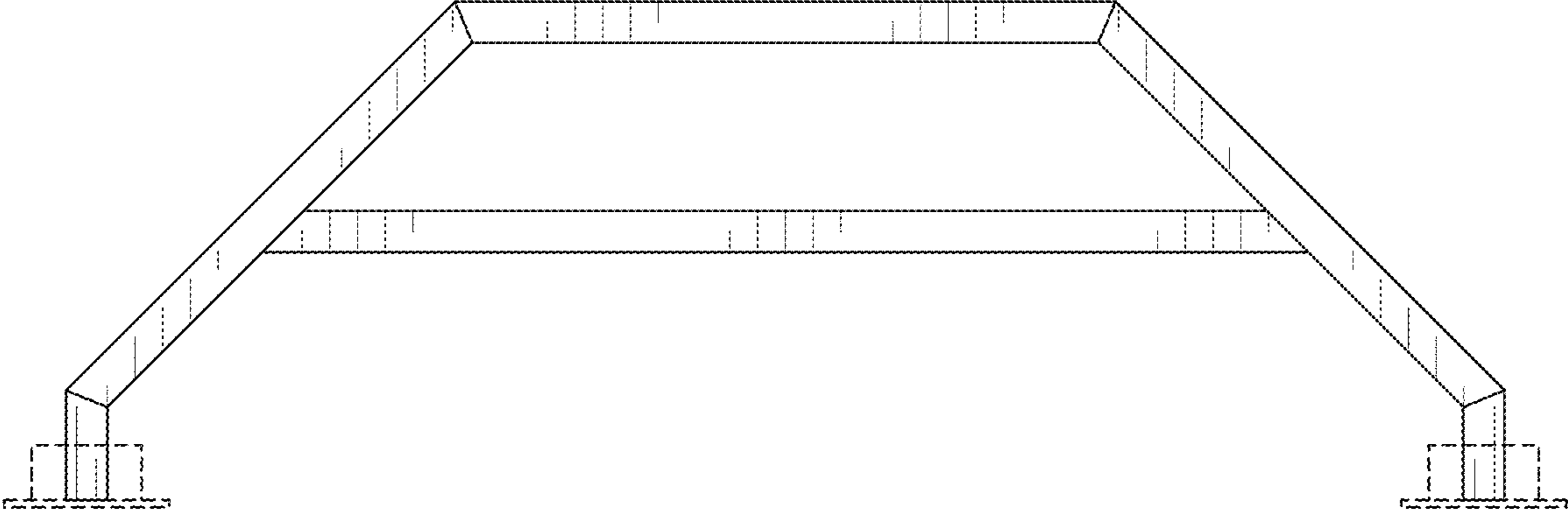


FIG. 2

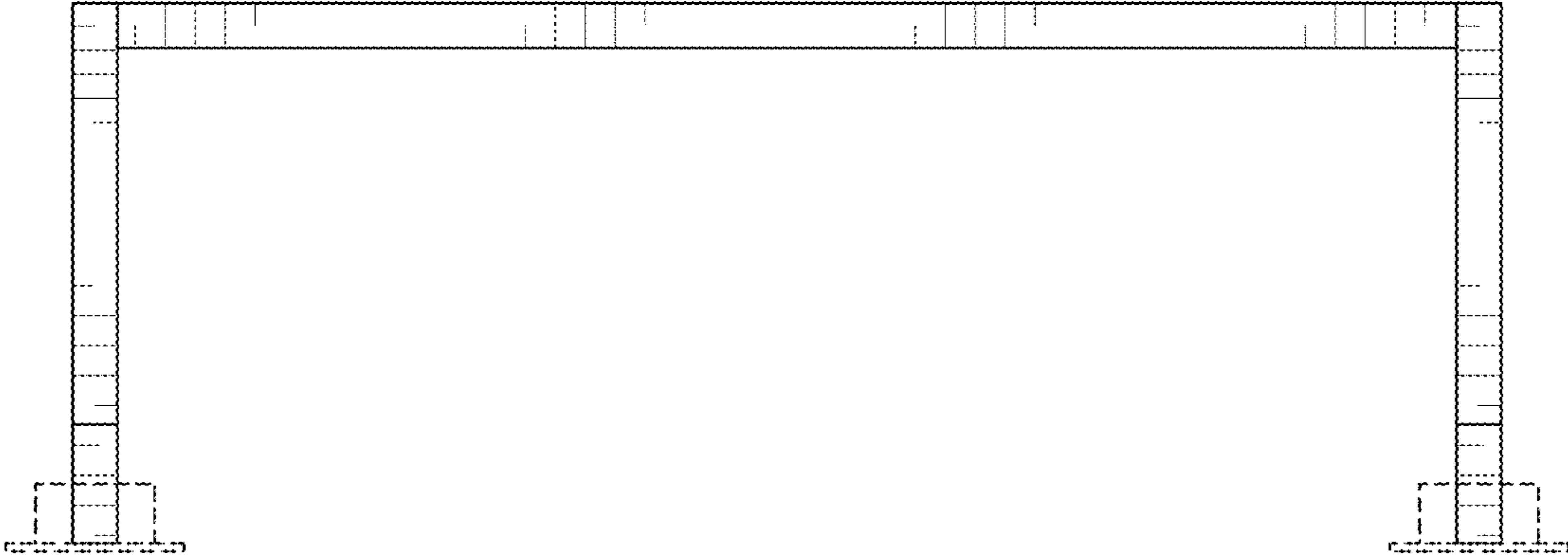


FIG. 3

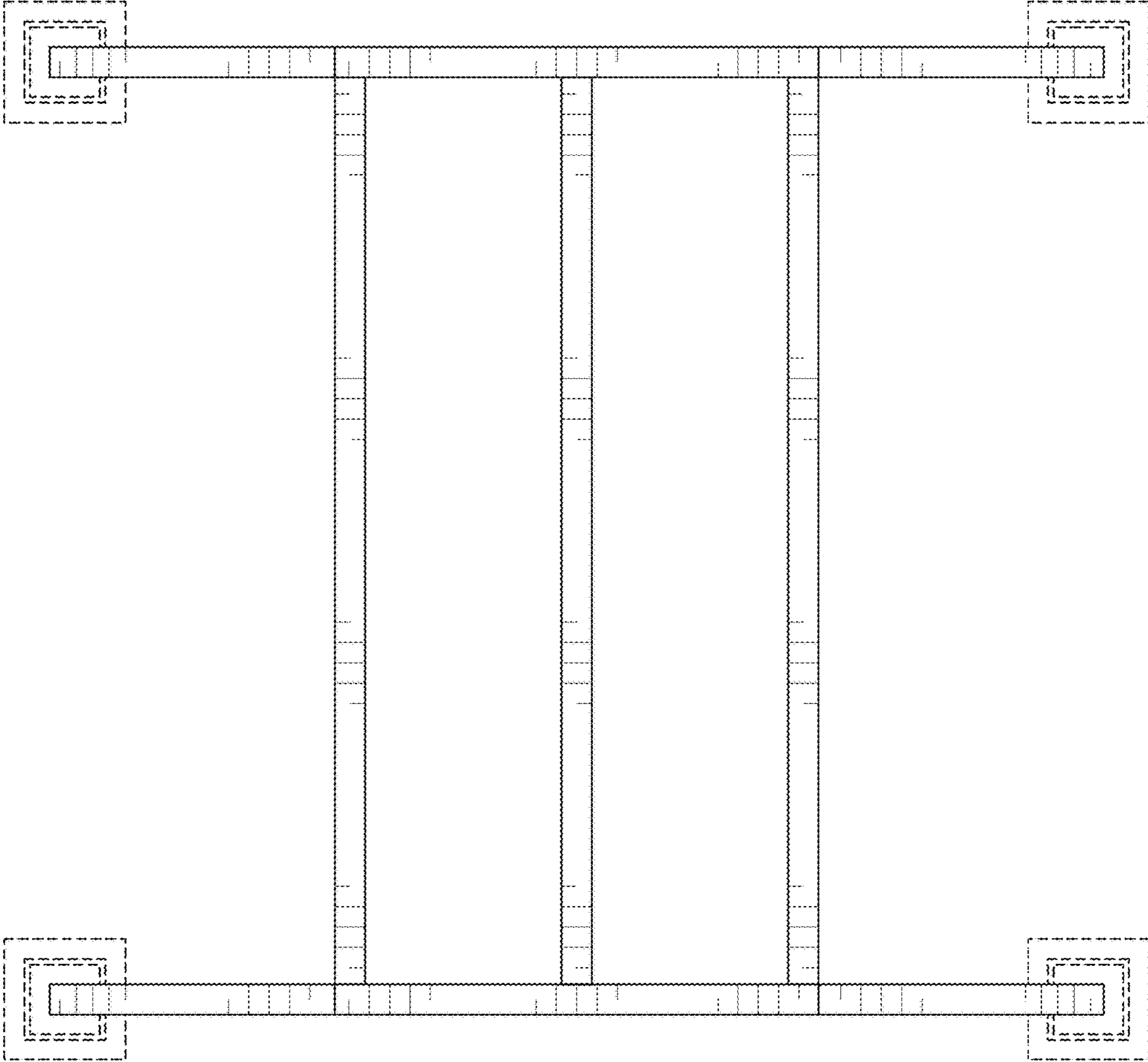


FIG. 4

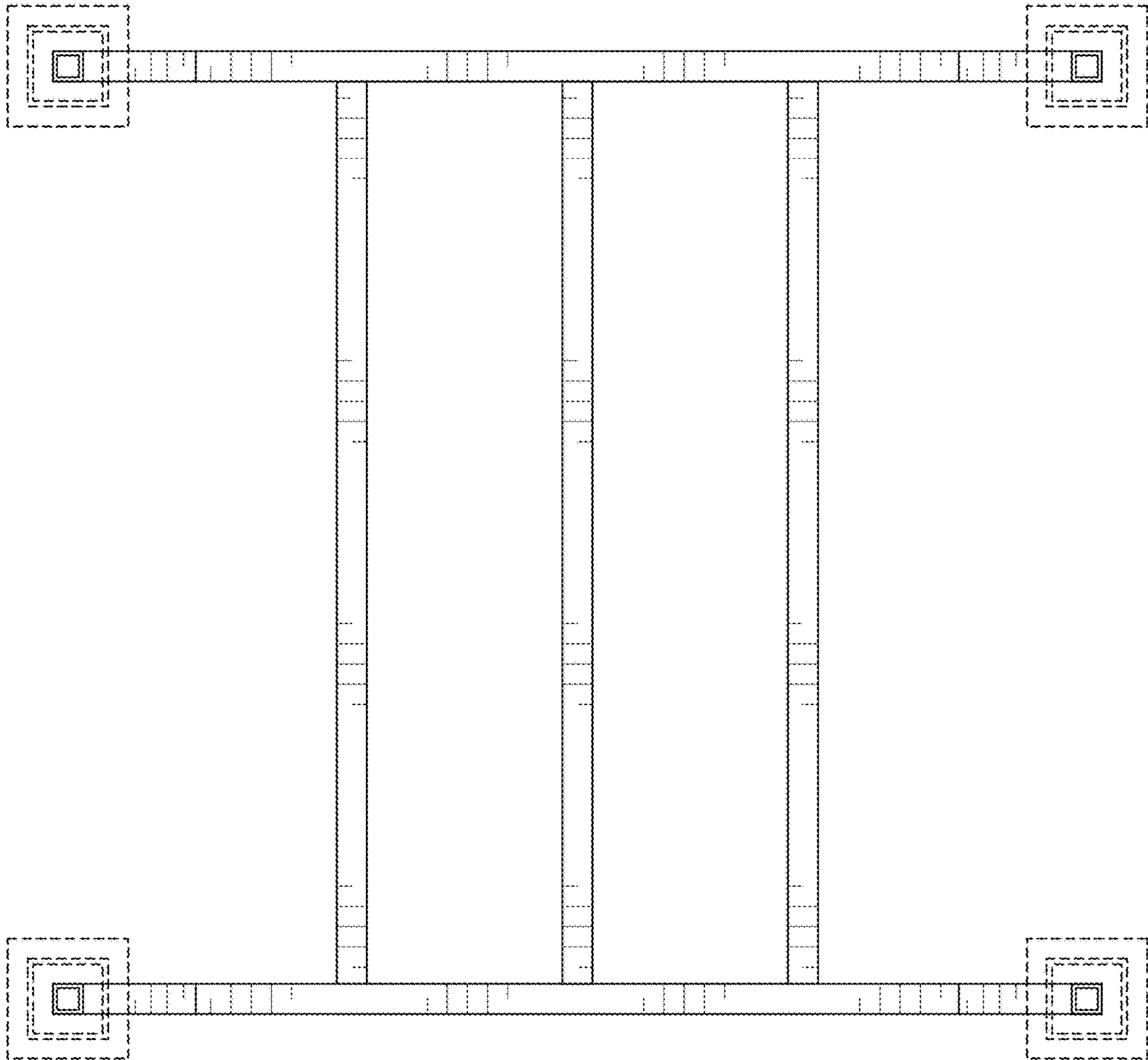


FIG. 5