



US00D790135S

(12) **United States Design Patent** (10) **Patent No.:** **US D790,135 S**
Macaluso et al. (45) **Date of Patent:** **** *Jun. 20, 2017**

(54) **COSMETICS CONTAINER**

OTHER PUBLICATIONS

(71) Applicant: **The Burt's Bees Products Company**,
Oakland, CA (US)

Burts Bees lipstick, accessed Mar. 18, 2016, www.BurtsBees.com,
1 page.*

(72) Inventors: **Jennie Macaluso**, Durham, NC (US);
Julian Perpignano-Humphreys,
Durham, NC (US); **Nicholas DiMucci**,
Durham, NC (US); **Lindsay Roberson**,
Durham, NC (US)

* cited by examiner

Primary Examiner — Jennifer Rivard
(74) *Attorney, Agent, or Firm* — Ann Lee

(73) Assignee: **The Clorox Company**, Oakland, CA
(US)

(57) **CLAIM**

The ornamental design for a cosmetics container, as shown
and described.

(*) Notice: This patent is subject to a terminal dis-
claimer.

DESCRIPTION

(**) Term: **14 Years**

FIG. 1 is an exploded perspective view of a cosmetics
container with the container lid removed from the container
base.

(21) Appl. No.: **29/519,214**

FIG. 2 is an additional, exploded perspective view of the
cosmetic container of FIG. 1.

(22) Filed: **Mar. 3, 2015**

FIG. 3 is a top perspective view of the cosmetics container
of FIG. 1 with the container lid in place over the container
base.

(51) **LOC (10) Cl.** **28-03**

(52) **U.S. Cl.**
USPC **D28/85**

FIG. 4 is a bottom perspective view of the cosmetics
container of FIG. 3.

(58) **Field of Classification Search**
USPC D28/85-90, 79; D9/630
CPC A45D 2040/0025-2040/0062; A45D
2040/0012; A45D 40/02-40/065; A45D
2200/00-2200/053

FIG. 5 is a front view of the cosmetics container of FIG. 3.

FIG. 6 is a back view of the cosmetics container of FIG. 3.

FIG. 7 is a top view of the cosmetics container of FIG. 3.

FIG. 8 is a first side view of the cosmetics container of FIG.
3.

FIG. 9 is a second, opposite side view of the cosmetics
container of FIG. 3; and,

FIG. 10 is a bottom view of the cosmetics container of FIG.
3.

See application file for complete search history.

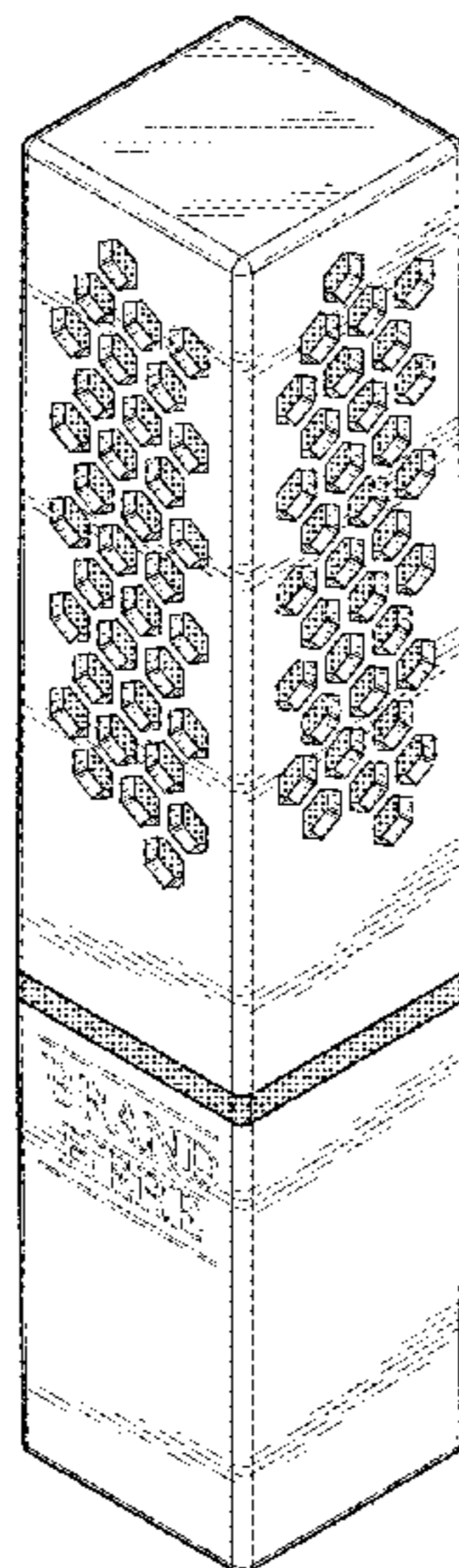
The stippled shading and straight line shading illustrate a
contrasting appearance. The broken line disclosure of the
lipstick in FIGS. 1 and 2 illustrates the environment. The
remaining broken lines illustrate portions of the cosmetics
container. None of the broken lines form part of the claimed
design.

(56) **References Cited**

U.S. PATENT DOCUMENTS

2,007,245	A *	7/1935	Gimonet	A45D 40/02 132/218
D563,051	S *	2/2008	Martinez	D28/85
D567,447	S *	4/2008	Lee	D28/85
D667,999	S *	9/2012	Sheffield	D28/81
D737,522	S *	8/2015	Lavigne	D28/76

1 Claim, 5 Drawing Sheets



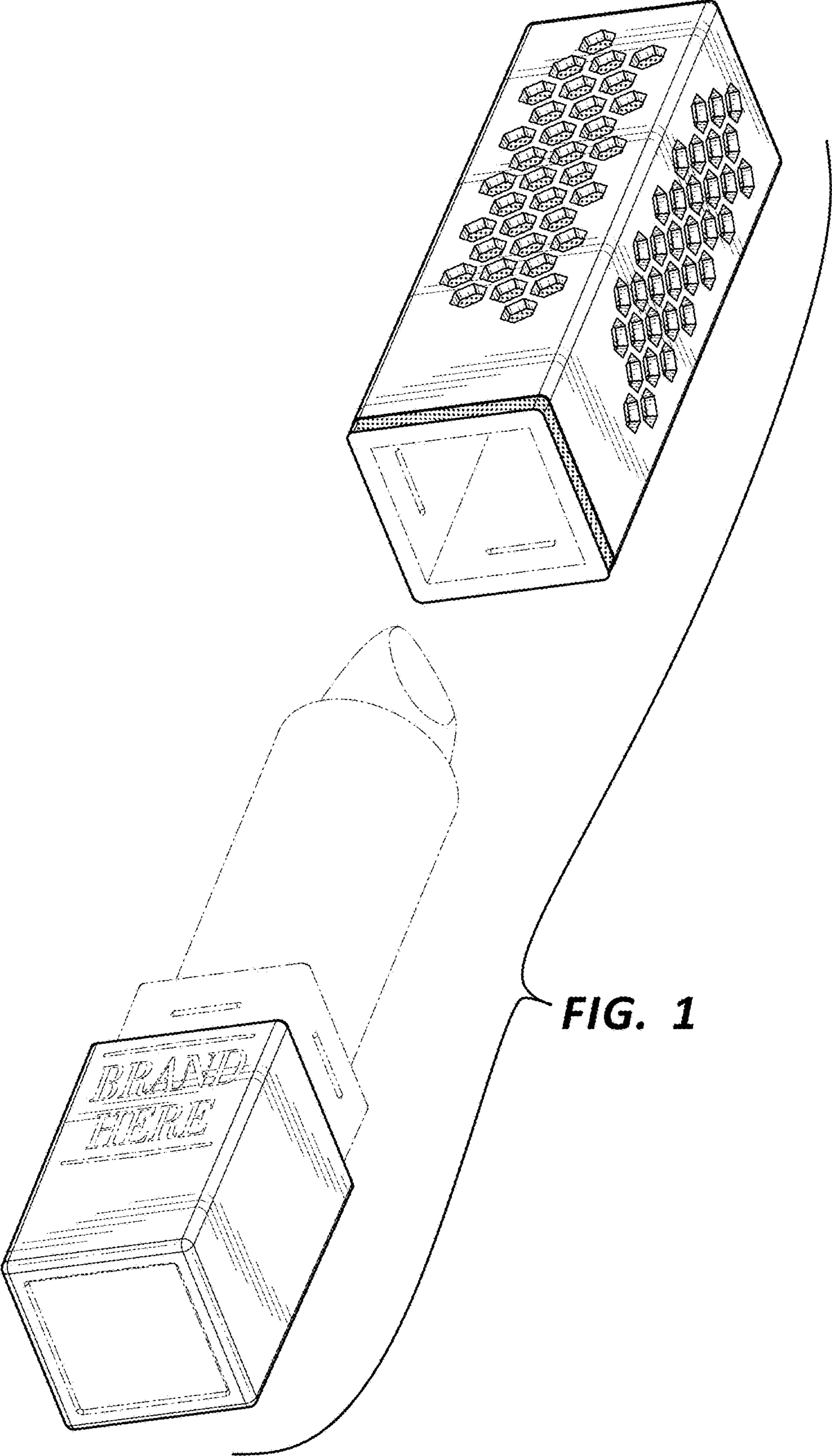


FIG. 1

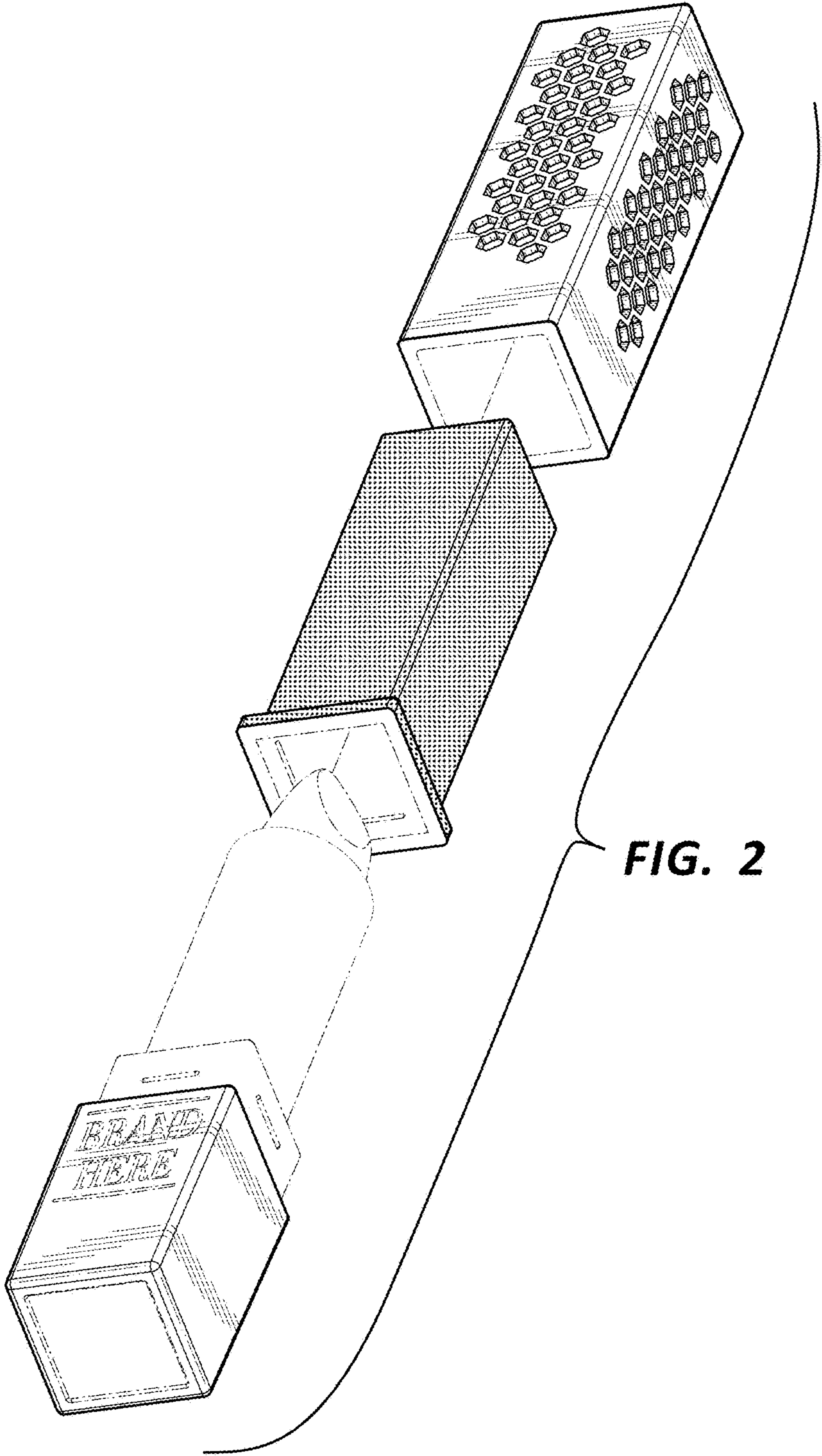


FIG. 2

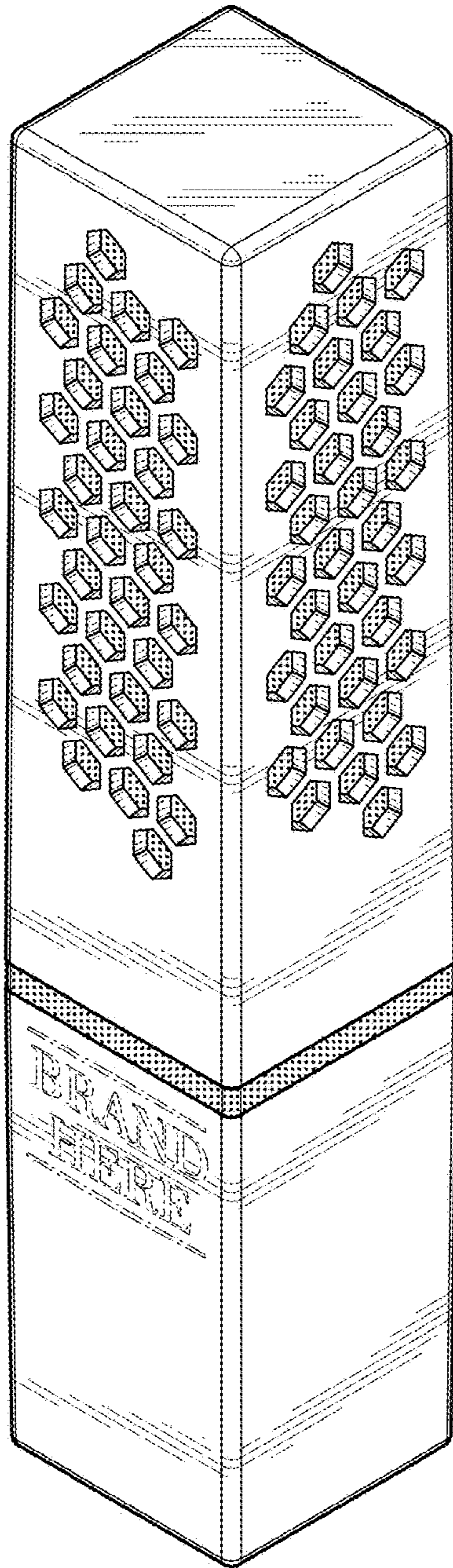


FIG. 3

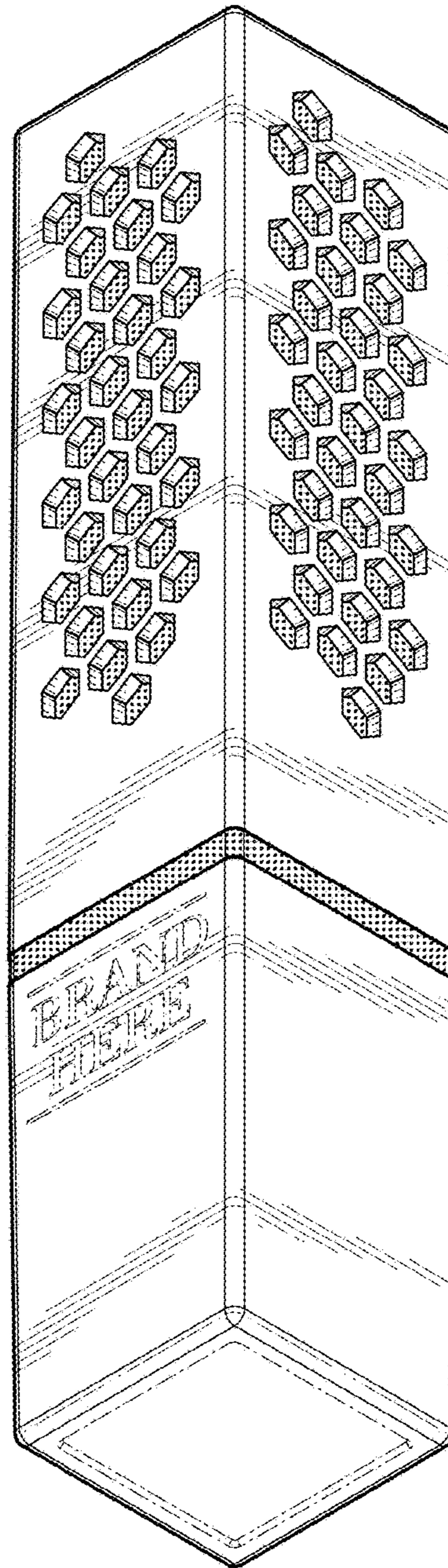


FIG. 4

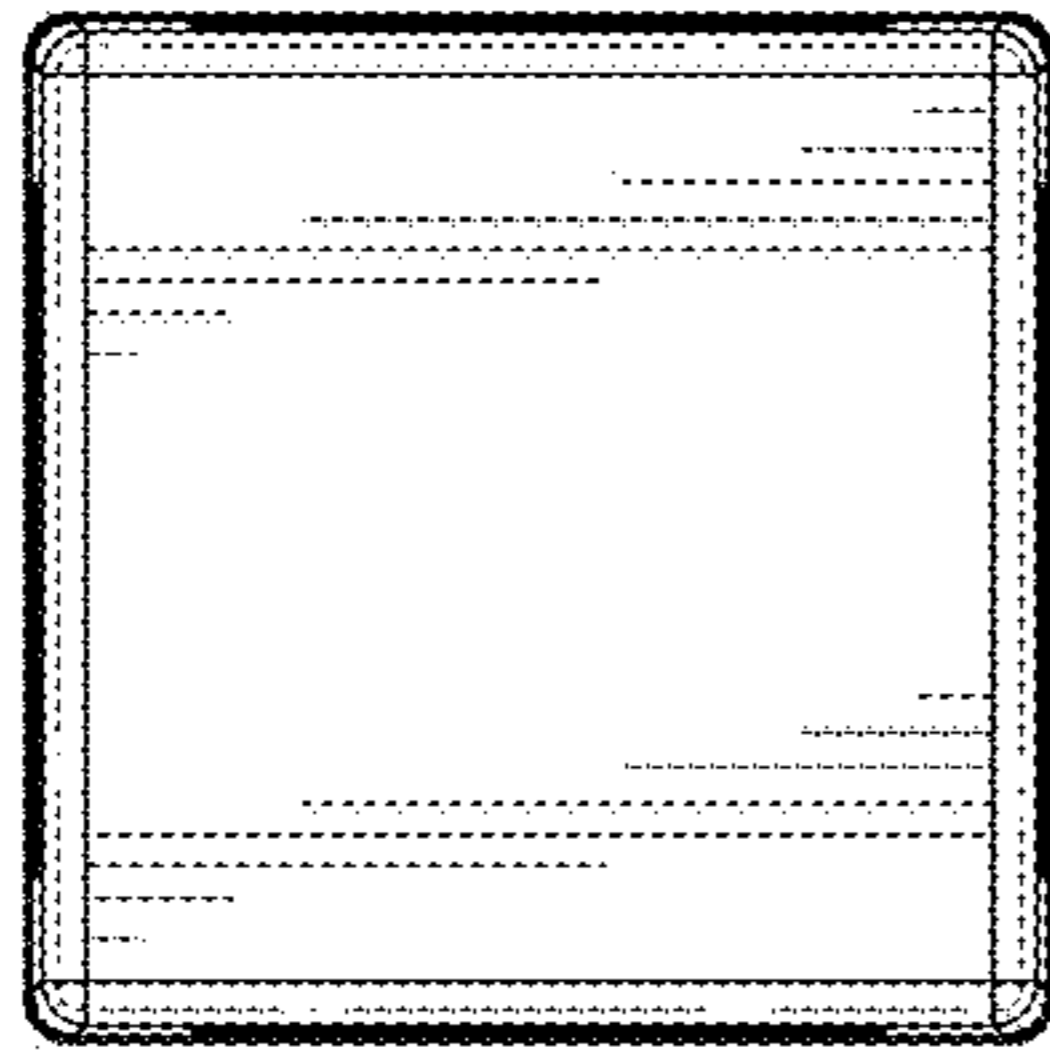


FIG. 7

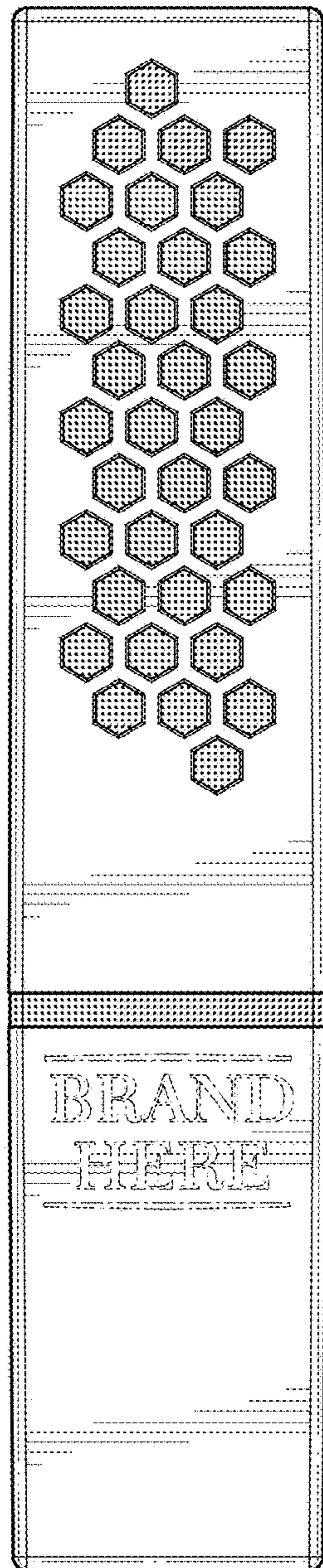


FIG. 5

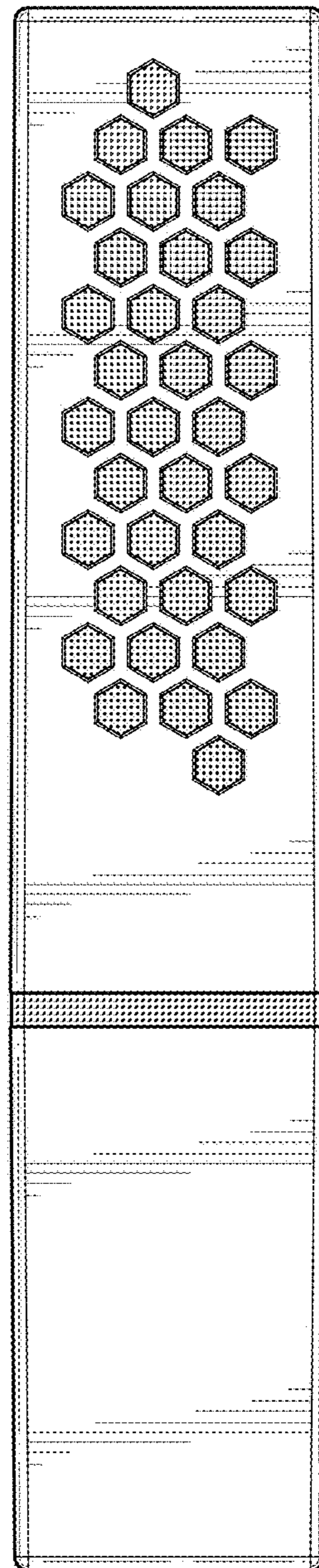


FIG. 6

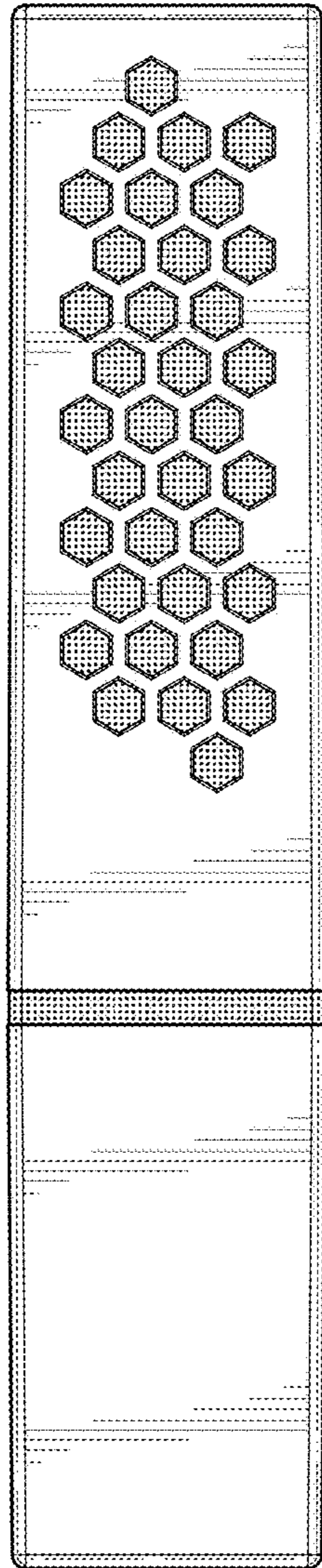


FIG. 8

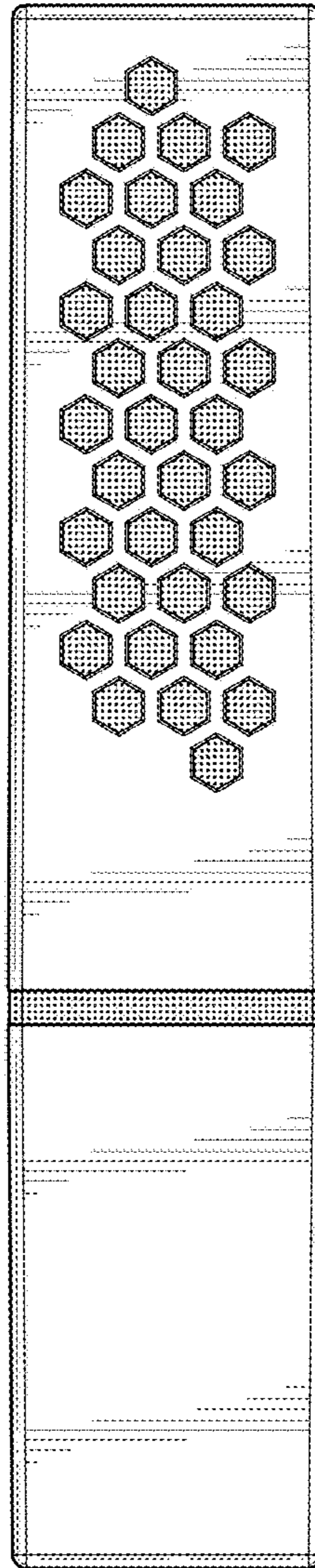


FIG. 9

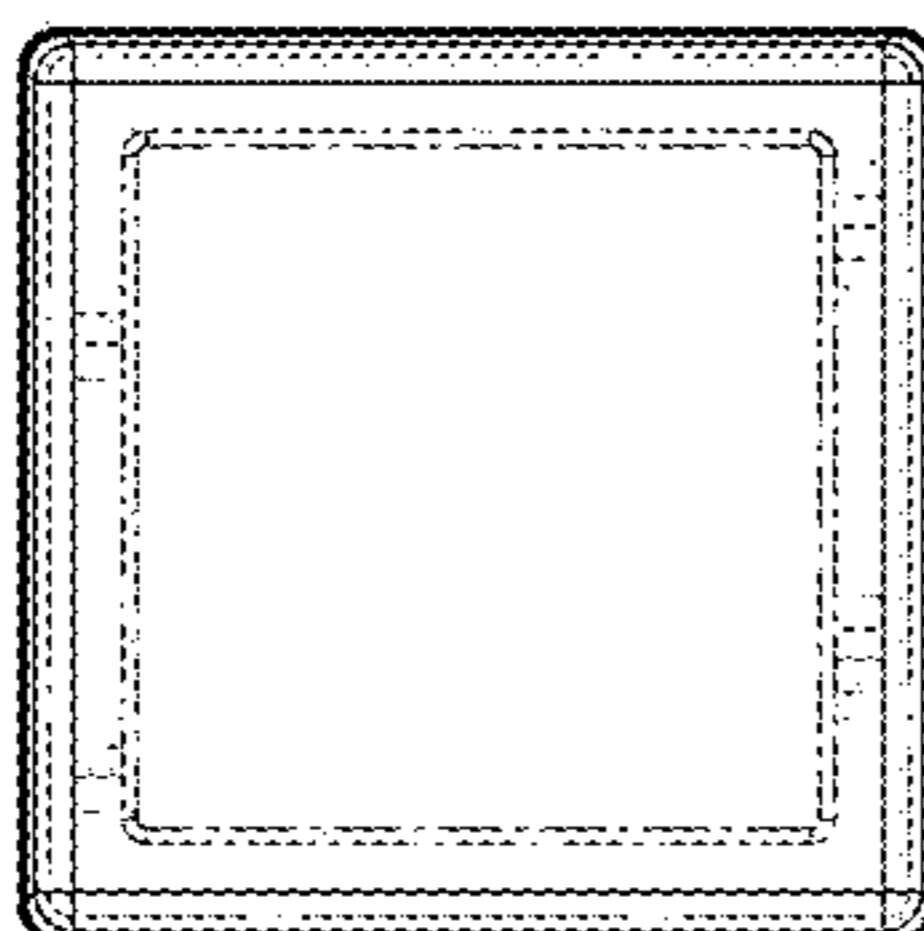


FIG. 10