



US00D790134S

(12) **United States Design Patent**  
**Shteyssel et al.**

(10) **Patent No.:** **US D790,134 S**  
(45) **Date of Patent:** **\*\* Jun. 20, 2017**

- (54) **COMBINED COSMETIC HOLDER AND MIRROR**
- (71) Applicants: **Zena Shteyssel**, Studio City, CA (US);  
**Danny Lamont Green**, Van Nuys, CA (US)
- (72) Inventors: **Zena Shteyssel**, Studio City, CA (US);  
**Danny Lamont Green**, Van Nuys, CA (US)
- (\*\*) Term: **15 Years**
- (21) Appl. No.: **29/556,542**
- (22) Filed: **Mar. 1, 2016**
- (51) **LOC (10) Cl.** ..... **28-03**
- (52) **U.S. Cl.**  
USPC ..... **D28/64.3**; D28/83
- (58) **Field of Classification Search**  
USPC ..... D28/76–84, 64.3; D9/503–504  
CPC ..... A45D 33/00; A45D 33/006–33/16; A45D 33/18; A45D 33/20–33/24; A45D 34/00; A45D 34/007; A45D 40/00; A45D 40/0006; A45D 40/0012; A45D 40/0018; A45D 40/22–40/24; A45D 40/10; A45D 40/105; A45D 2200/05; A45D 2200/051; A45D 33/003; A45D 2033/001  
See application file for complete search history.

- 2,294,656 A 9/1942 Feib
- 2,299,673 A 10/1942 Abram
- 2,375,027 A 5/1945 Naidech
- 2,421,646 A 6/1947 Joseph
- 2,454,527 A 11/1948 Aurele
- (Continued)

**FOREIGN PATENT DOCUMENTS**

JP 4797022 B2 \* 10/2011 ..... A45C 11/008  
*Primary Examiner* — Jennifer Rivard  
 (74) *Attorney, Agent, or Firm* — Steven H. Washam; Washam PLLC

(57) **CLAIM**  
 We claim the ornamental design for a combined cosmetic holder and mirror, as shown and described.

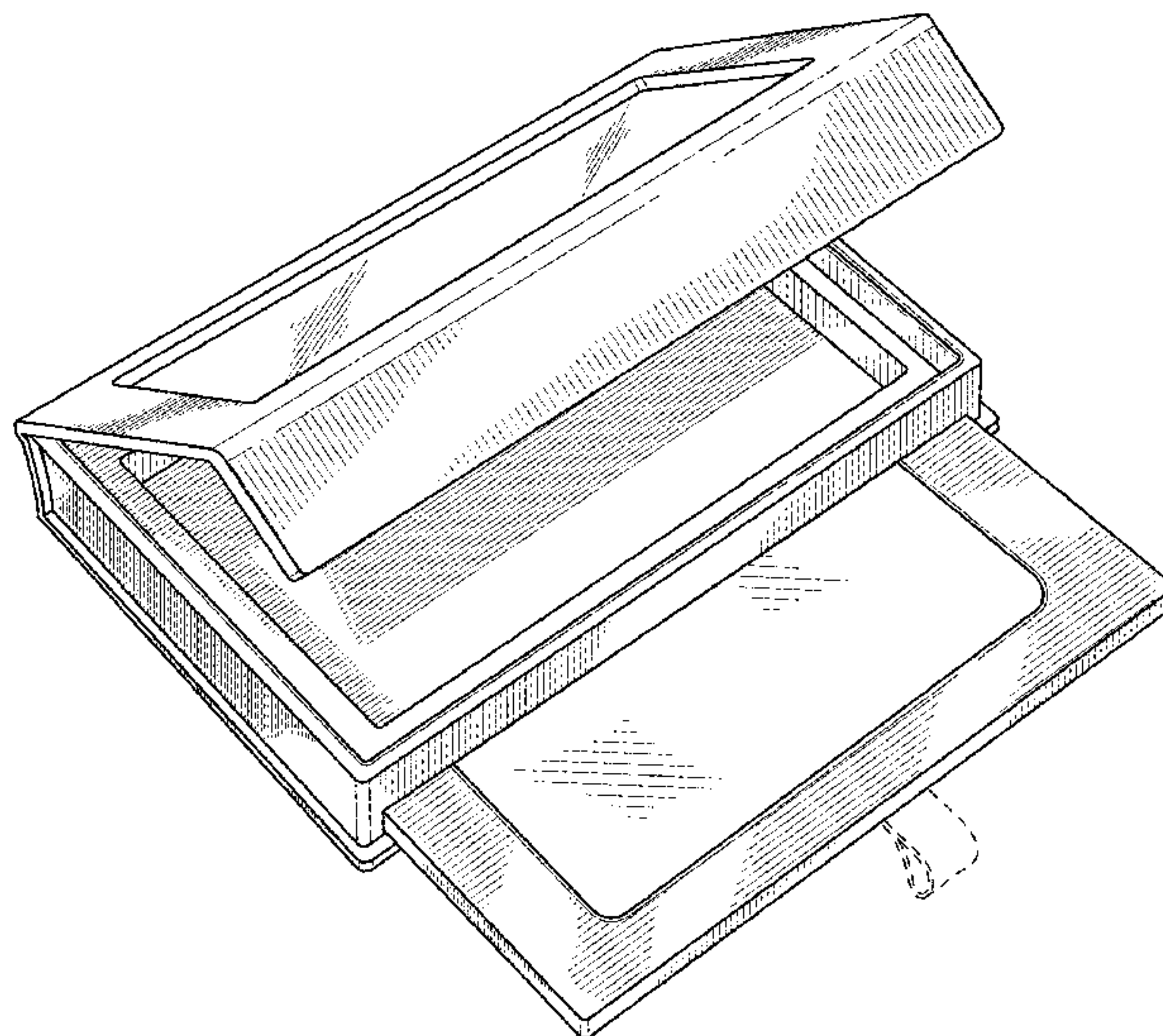
**DESCRIPTION**

FIG. 1 is a perspective view of a combined cosmetic holder and mirror showing my new design with the top hinged cover in a partially opened position and the mirror component partially extending from the front storage slot; FIG. 2 is a front elevational view thereof with the top hinged cover in a closed position; FIG. 3 is a rear elevational view thereof; FIG. 4 is a left side elevational view thereof with the top hinged cover in an opened position and the mirror component fully removed; FIG. 5 is a right side elevational view thereof; FIG. 6 is a top plan view thereof with the top hinged cover in a fully opened position and the mirror component fully removed; FIG. 7 is a bottom plan view thereof; and, FIG. 8 is an additional perspective view thereof with the mirror component shown along the underside of the top hinged cover.  
 The broken lines within the several figures illustrate environmental structure only and form no part of the claimed design.

(56) **References Cited**  
**U.S. PATENT DOCUMENTS**

- 1,745,869 A 2/1930 Shields
- 1,767,567 A 6/1930 Weil
- 1,879,407 A 9/1932 Morenus
- 2,147,510 A 2/1939 Amick
- 2,158,099 A 5/1939 Reger
- 2,165,599 A 7/1939 Williamson
- 2,235,687 A 3/1941 Ray
- 2,254,300 A 9/1941 Lessin

**1 Claim, 6 Drawing Sheets**



(56)

References Cited

U.S. PATENT DOCUMENTS

2,458,020 A	1/1949	Olsen	7,054,668 B2	5/2006	Endo et al.	
3,006,350 A	10/1961	Armin	7,117,874 B2	10/2006	Gubernick	
3,592,201 A	7/1971	Haddaway	7,422,018 B2	9/2008	Dieudonat	
3,776,245 A	12/1973	Hayes et al.	D597,256 S	7/2009	Liden	
3,809,102 A	5/1974	Ross	D601,757 S	10/2009	Sagel	
3,860,015 A	1/1975	Tarro	D603,564 S	11/2009	Liden	
3,911,936 A	10/1975	Kingsford	D626,694 S	11/2010	Ha	
4,065,539 A	12/1977	Nadel	7,828,000 B2	11/2010	Lee	
4,421,127 A	12/1983	Geer	D631,610 S	1/2011	Barresi et al.	
4,589,430 A	5/1986	Sussman	D642,743 S	8/2011	Shteytsel	
4,716,915 A	1/1988	Burns	7,988,317 B2	8/2011	Kang	
4,717,024 A	1/1988	Djezovic	D651,350 S *	12/2011	Paquet	D28/83
4,936,324 A	6/1990	Chen	D655,865 S	3/2012	Villarreal et al.	
5,005,697 A	4/1991	Jimbo et al.	D655,866 S	3/2012	Villarreal et al.	
5,025,354 A	6/1991	Kondo	8,141,562 B2	3/2012	Prague	
5,135,012 A	8/1992	Kamen et al.	8,434,959 B2	5/2013	Bennett	
5,156,275 A	10/1992	Murray	D687,187 S	7/2013	Lai	
5,163,457 A	11/1992	Lombardi	9,101,193 B1	8/2015	Liu	
5,174,310 A	12/1992	Galbraith et al.	2002/0162565 A1	11/2002	Sebban	
5,218,978 A	6/1993	Yang et al.	2004/0003825 A1	1/2004	Kelly	
5,329,947 A	7/1994	Shikler	2004/0040570 A1	3/2004	Shih	
5,337,890 A	8/1994	Lai	2004/0200497 A1	10/2004	Thorpe et al.	
5,358,100 A	10/1994	Wolff	2004/0244812 A1 *	12/2004	Seidler	A45D 40/221 132/301
5,373,862 A	12/1994	Blachut	2005/0150513 A1	7/2005	Taylor	
5,407,076 A	4/1995	Sabet	2005/0194021 A1	9/2005	Byun	
5,431,177 A	7/1995	Kecman	2006/0027481 A1	2/2006	Gelardi et al.	
5,437,294 A	8/1995	Ebbets, III et al.	2006/0226040 A1	10/2006	Medina	
5,441,153 A	8/1995	Lahaye	2007/0121315 A1	5/2007	Lan	
5,715,848 A	2/1998	Conley, Jr.	2009/0152162 A1	6/2009	Tian et al.	
5,813,420 A	9/1998	Sussman	2010/0031971 A1	2/2010	Ha	
5,865,233 A	2/1999	Roegner	2010/0089793 A1	4/2010	Plassmeyer	
D410,569 S	6/1999	Morgan	2010/0096410 A1 *	4/2010	Deans	A45D 33/025 222/182
D422,120 S	3/2000	Orsomando	2010/0221059 A1	9/2010	Bennett	
6,311,077 B1	10/2001	Bien	2010/0307520 A1	12/2010	Dahle	
D453,859 S	2/2002	Spearman	2011/0073130 A1	3/2011	Reynolds	
6,363,947 B1	4/2002	Wu	2011/0155752 A1	6/2011	Ha	
6,484,731 B1	11/2002	Lacout	2011/0253167 A1	10/2011	Shteytsel	
D469,223 S	1/2003	Thorpe et al.	2013/0056018 A1	3/2013	Anderson-Stimson	
6,530,153 B1	3/2003	Kleban	2013/0104927 A1 *	5/2013	Hurst	A45D 19/0008 132/221
D477,895 S	7/2003	Goswell	2013/0133686 A1	5/2013	Shteytsel	
D480,837 S	10/2003	Liu	2014/0026921 A1	1/2014	Zhang	
D485,018 S	1/2004	Beilman	2015/0075555 A1 *	3/2015	Wheaton	A45D 33/20 132/294
D503,245 S	3/2005	Vanoncini	2016/0007714 A1 *	1/2016	Eberlein	A45D 33/20 220/505
6,886,695 B1	5/2005	Karoly				
6,889,696 B2	5/2005	Thorpe et al.				
6,901,937 B2	6/2005	Sebban				
7,047,983 B2	5/2006	Manougian et al.				

\* cited by examiner



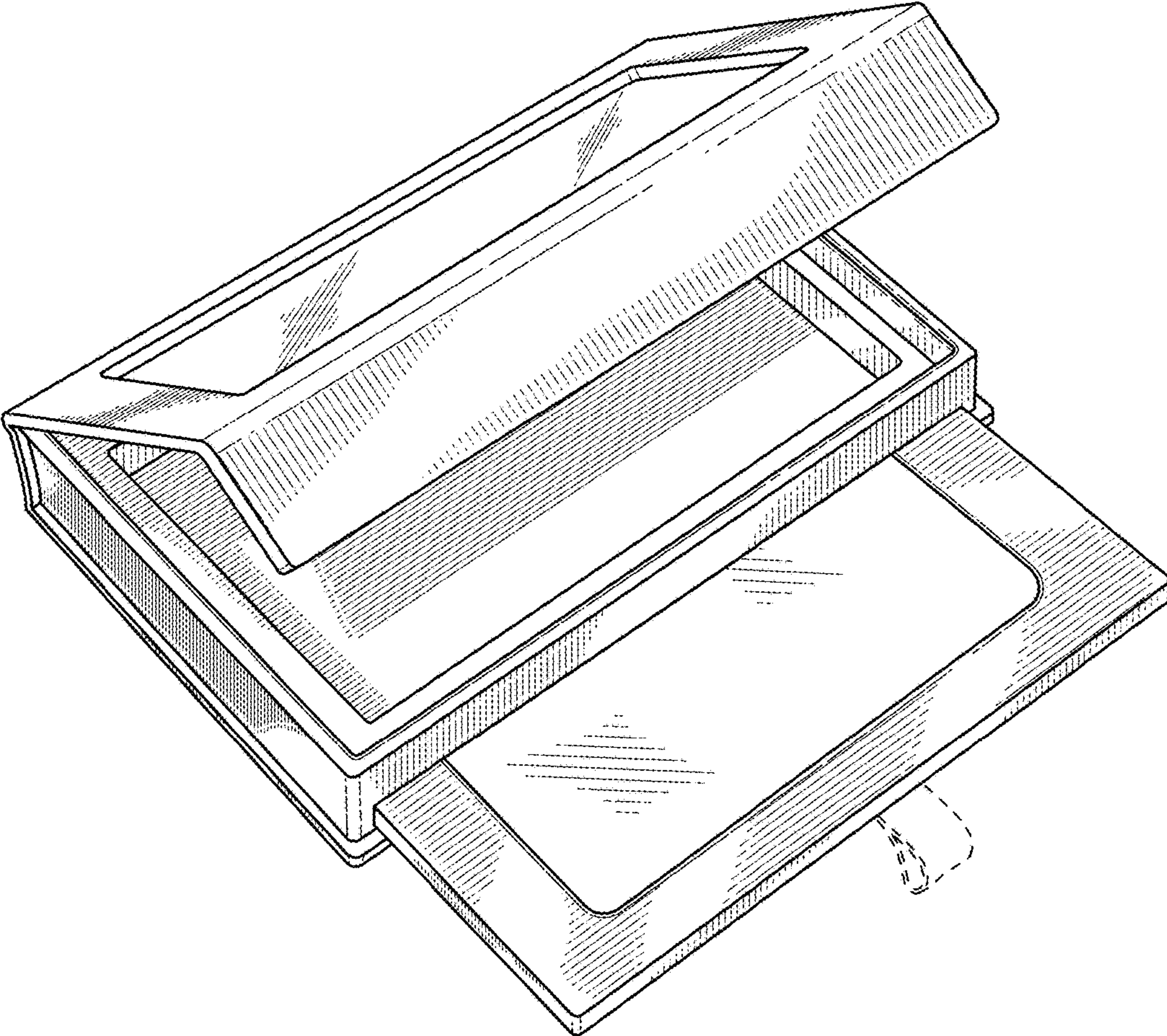


FIG. 1

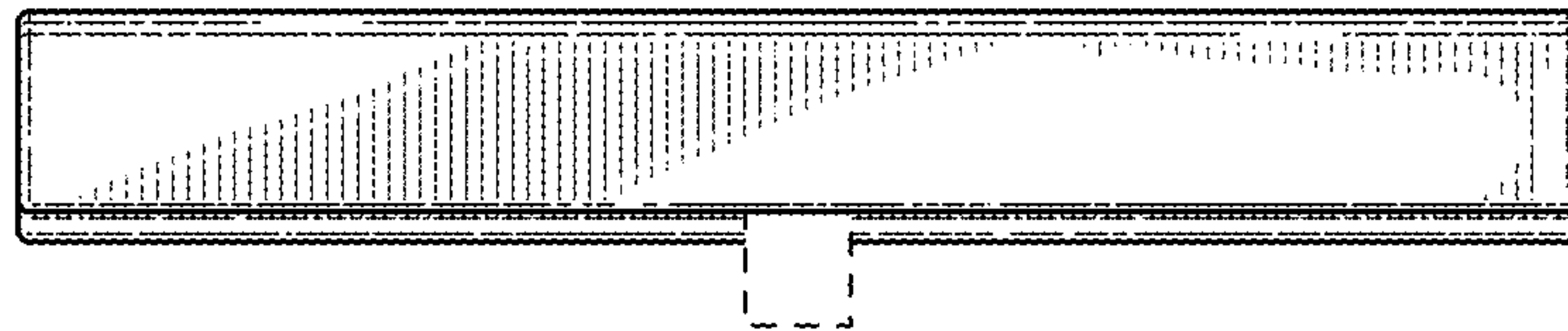


FIG. 2

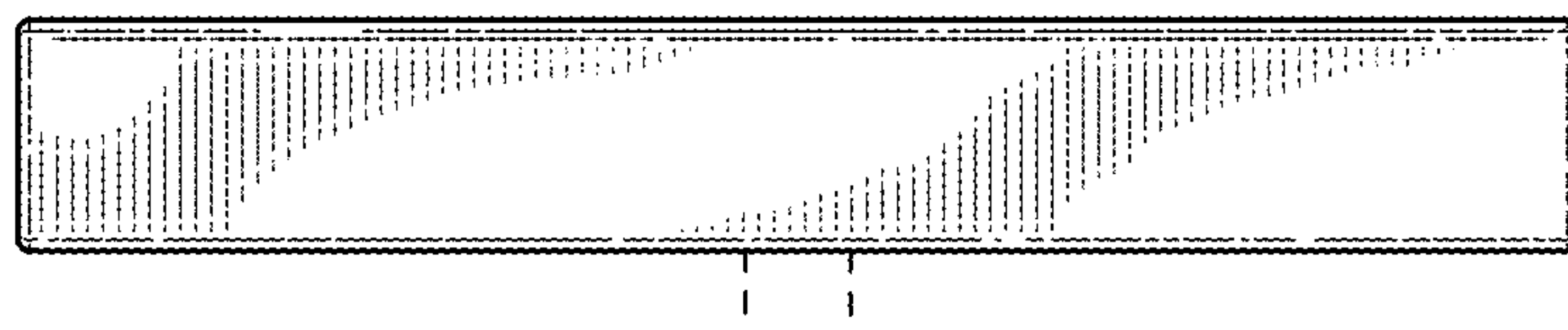


FIG. 3

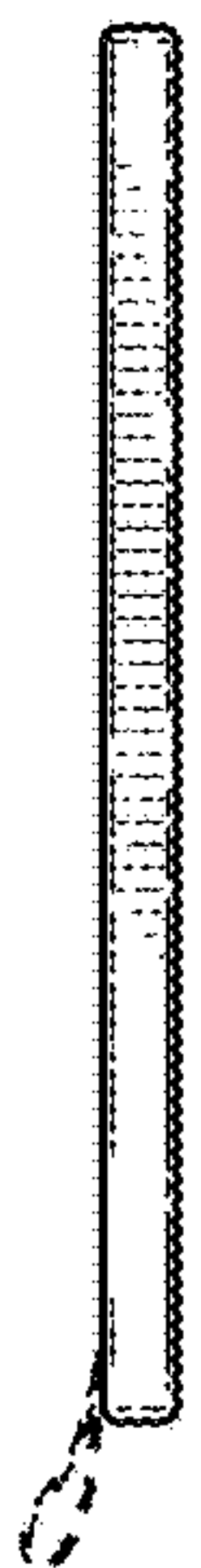
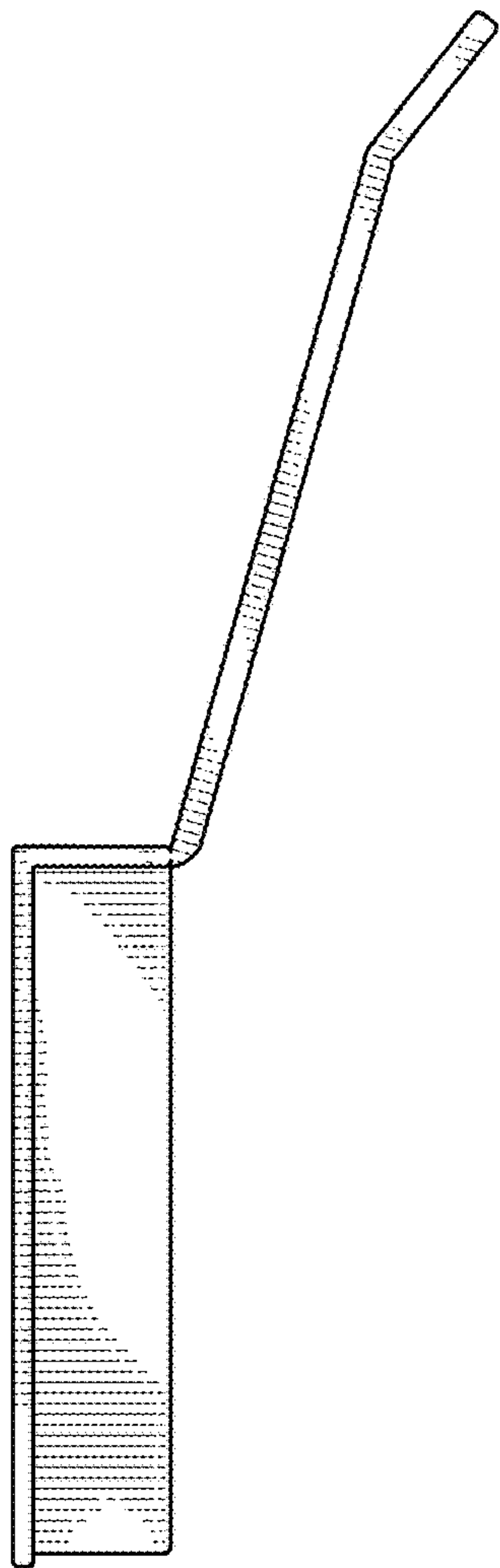


FIG. 4

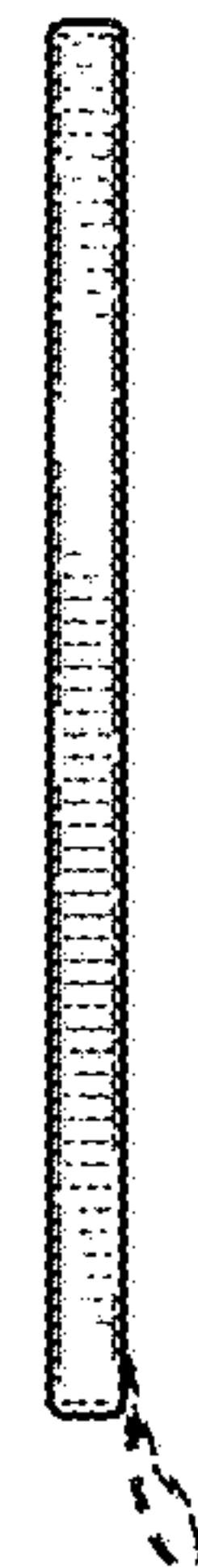
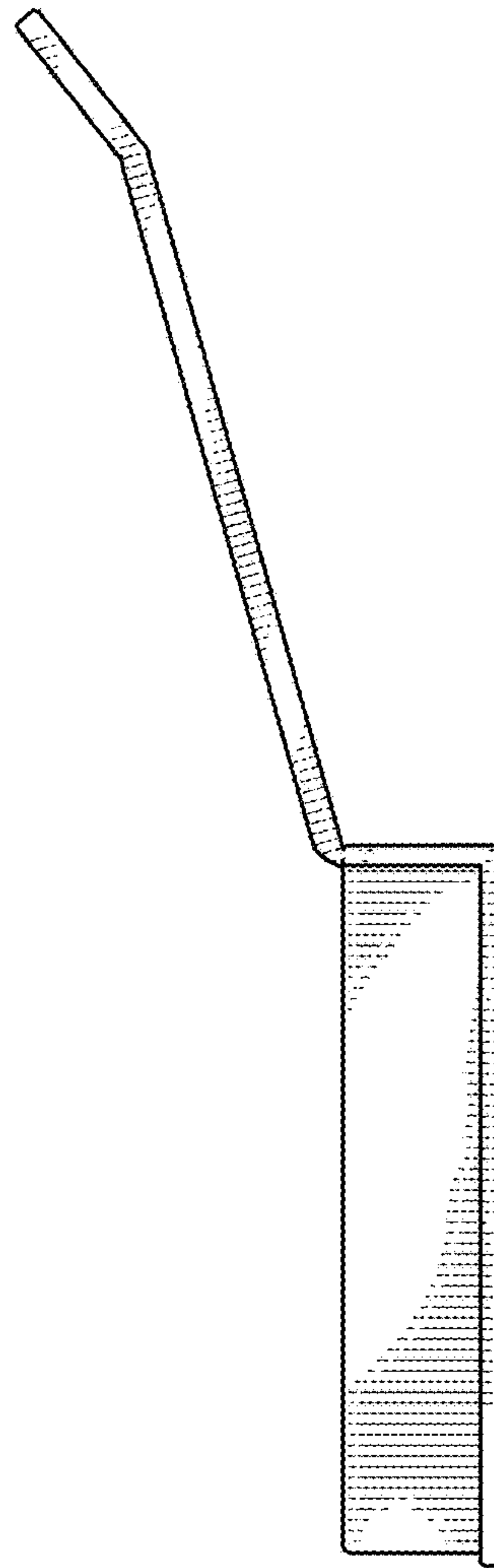


FIG. 5

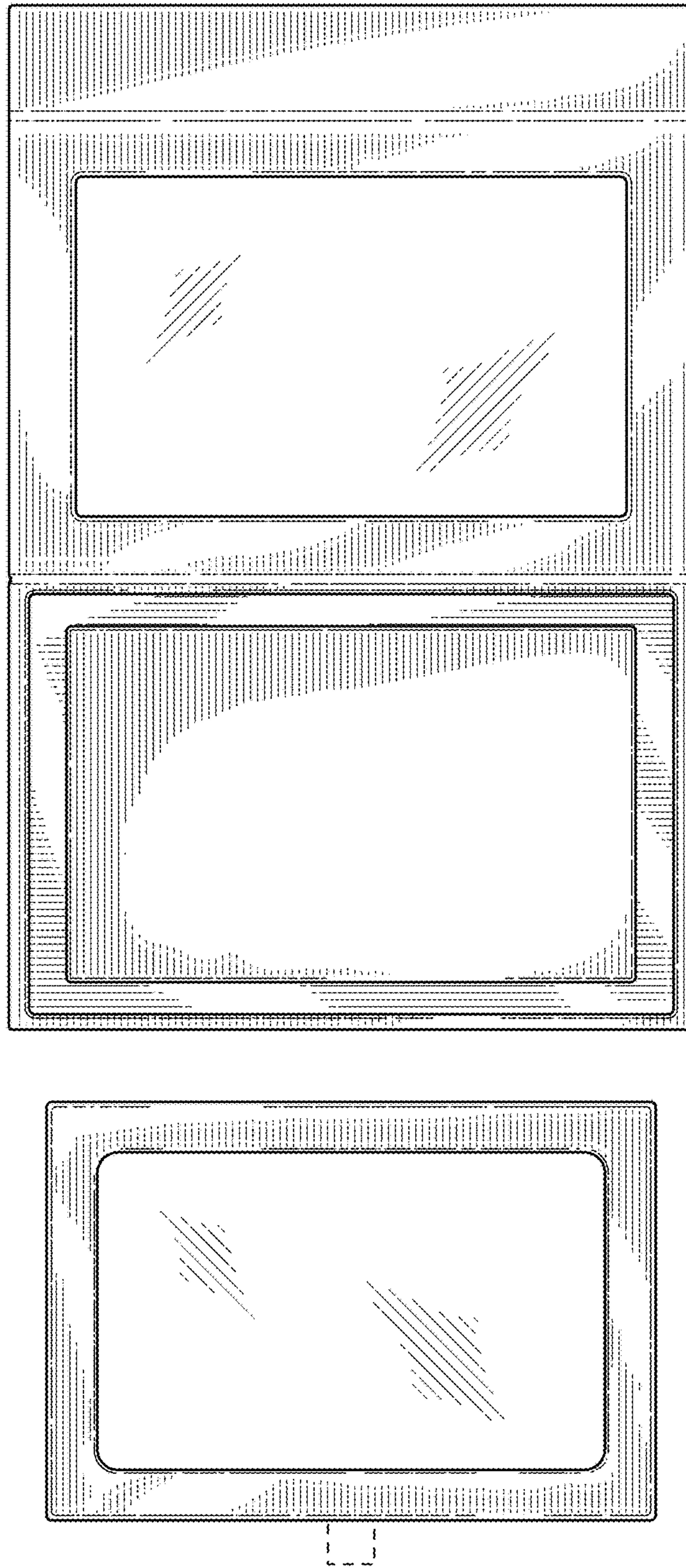


FIG. 6



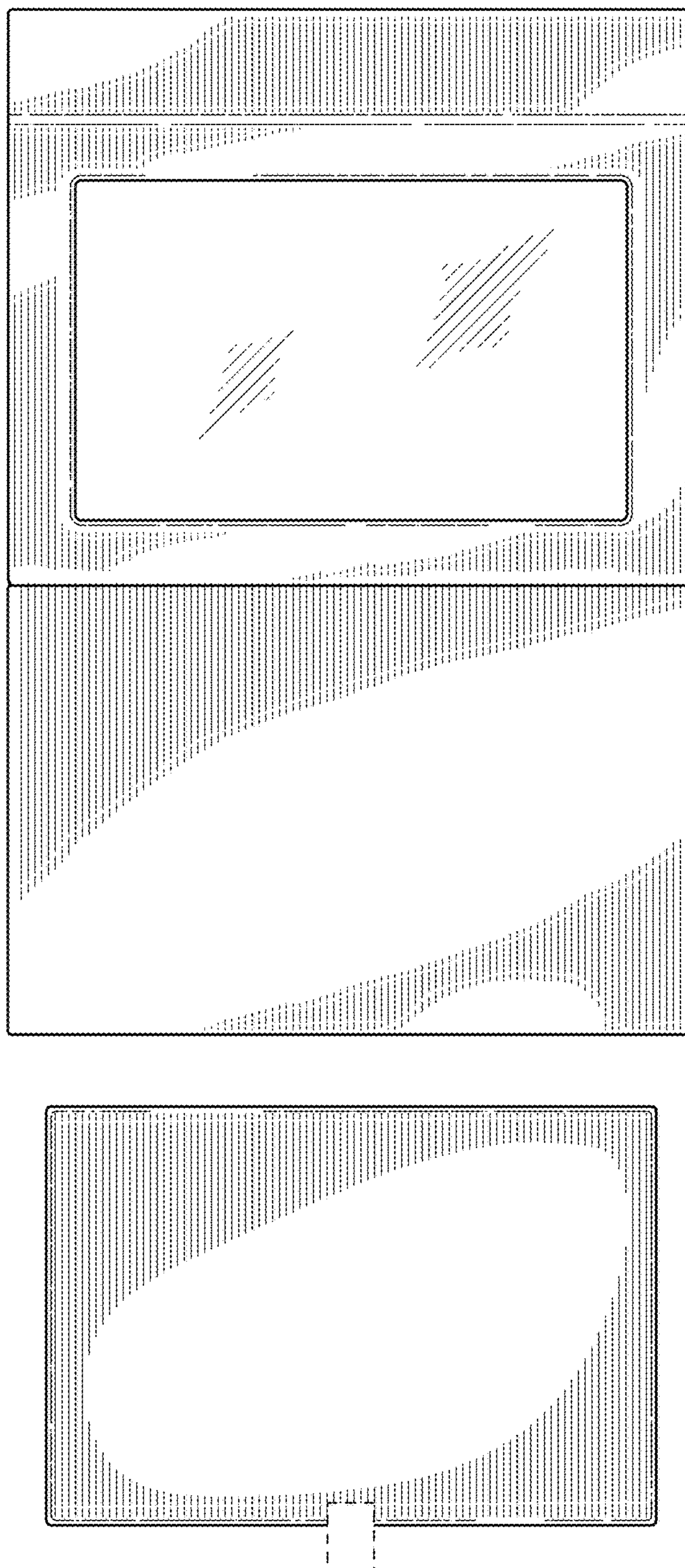


FIG. 7

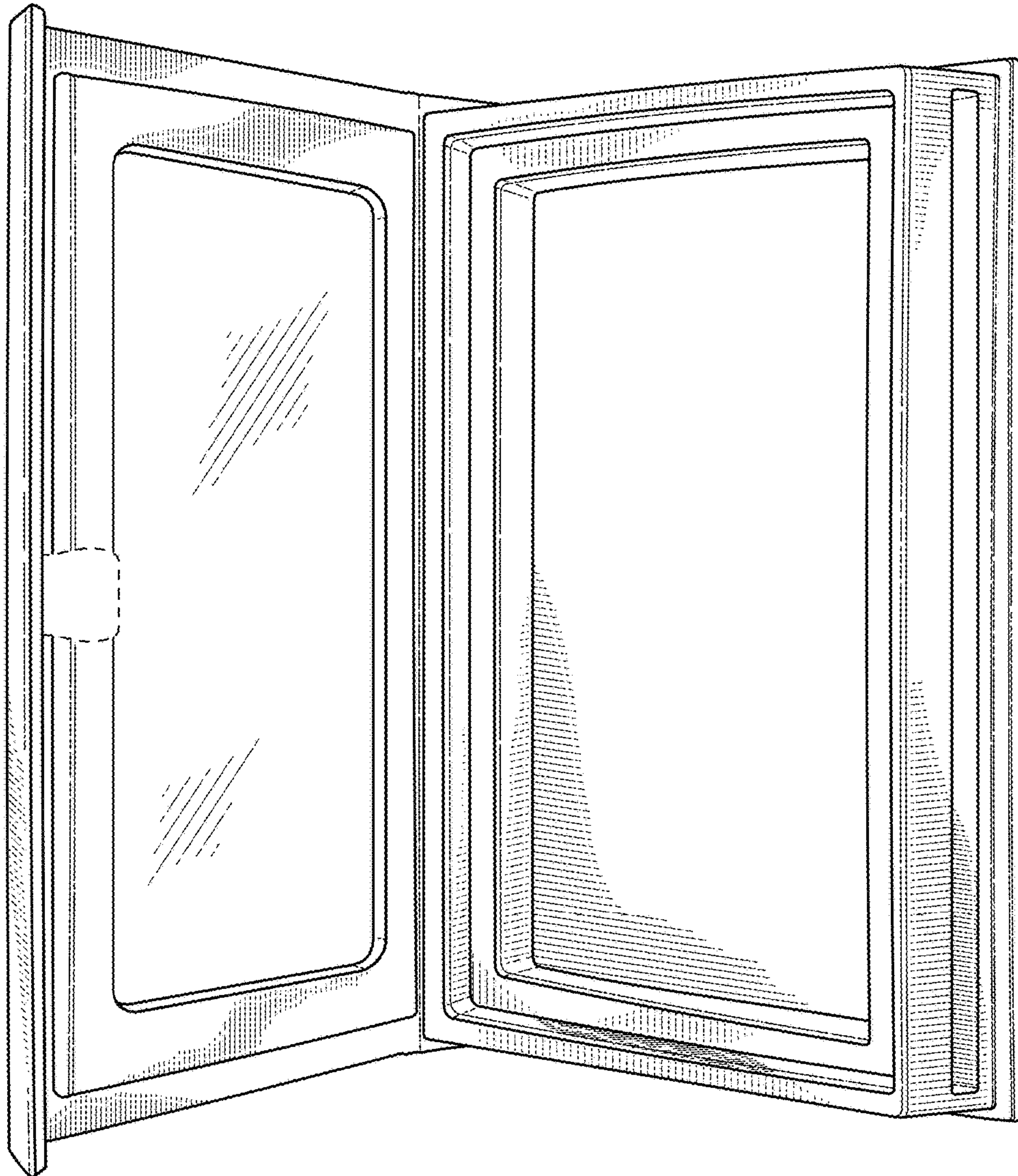


FIG. 8