



US00D790132S

(12) **United States Design Patent**
Aulwes et al.

(10) **Patent No.:** **US D790,132 S**
(45) **Date of Patent:** **** Jun. 20, 2017**

- (54) **HAIR CLIPPER HOUSING LID**
- (71) Applicant: **WAHL CLIPPER CORPORATION**,
Sterling, IL (US)
- (72) Inventors: **Chad Aulwes**, Sterling, IL (US); **Jeff Fleming**, Orlando, FL (US); **Chao Yang**, Wu Ha (CN); **Hang Ming**, Huang Gang (CN)
- (73) Assignee: **WAHL CLIPPER CORPORATION**,
Sterling, IL (US)
- (**) Term: **15 Years**
- (21) Appl. No.: **29/556,880**
- (22) Filed: **Mar. 3, 2016**
- (51) **LOC (10) Cl.** **28-03**
- (52) **U.S. Cl.**
USPC **D28/54**
- (58) **Field of Classification Search**
USPC D28/44, 49-54
CPC B26B 19/00-19/107; B26B 19/12-19/22;
B26B 19/28-19/36; B26B
19/3806-19/3826; B26B 19/384; B26B
19/3846; B26B 19/3853-19/3866; B26B
19/3886; B26B 19/42; B26B 19/38
See application file for complete search history.

- (56) **References Cited**
U.S. PATENT DOCUMENTS
D339,213 S * 9/1993 Wahl D28/54
D435,936 S * 1/2001 Long D28/54
D472,674 S 4/2003 Long et al.
D497,452 S 10/2004 Nielsen et al.
D500,392 S * 12/2004 Buck, Jr. D28/54
D571,504 S * 6/2008 Long D28/54
D573,756 S 7/2008 Nielsen et al.

D582,604 S	12/2008	Eddinger et al.	
D582,605 S	12/2008	Eddinger et al.	
D597,253 S *	7/2009	Eddinger	D28/54
D597,254 S *	7/2009	Eddinger	D28/54
D675,782 S *	2/2013	Buck, Jr.	D28/54
D679,448 S *	4/2013	Erickson	D28/54
D683,900 S *	6/2013	Julemont	D28/53
D683,901 S *	6/2013	Skuhra	D28/54
D700,998 S *	3/2014	Aulwes	D28/54
D700,999 S *	3/2014	Aulwes	D28/54
D715,489 S *	10/2014	Aulwes	D28/54
D715,490 S *	10/2014	Aulwes	D28/54
D722,202 S *	2/2015	Erickson	D28/54
D726,371 S *	4/2015	Erickson	D28/54
D758,665 S *	6/2016	Skuhra	D28/54
D777,980 S *	1/2017	Moeller	D28/54

* cited by examiner

Primary Examiner — Jennifer Rivard
(74) *Attorney, Agent, or Firm* — Greer, Burns & Crain, Ltd.

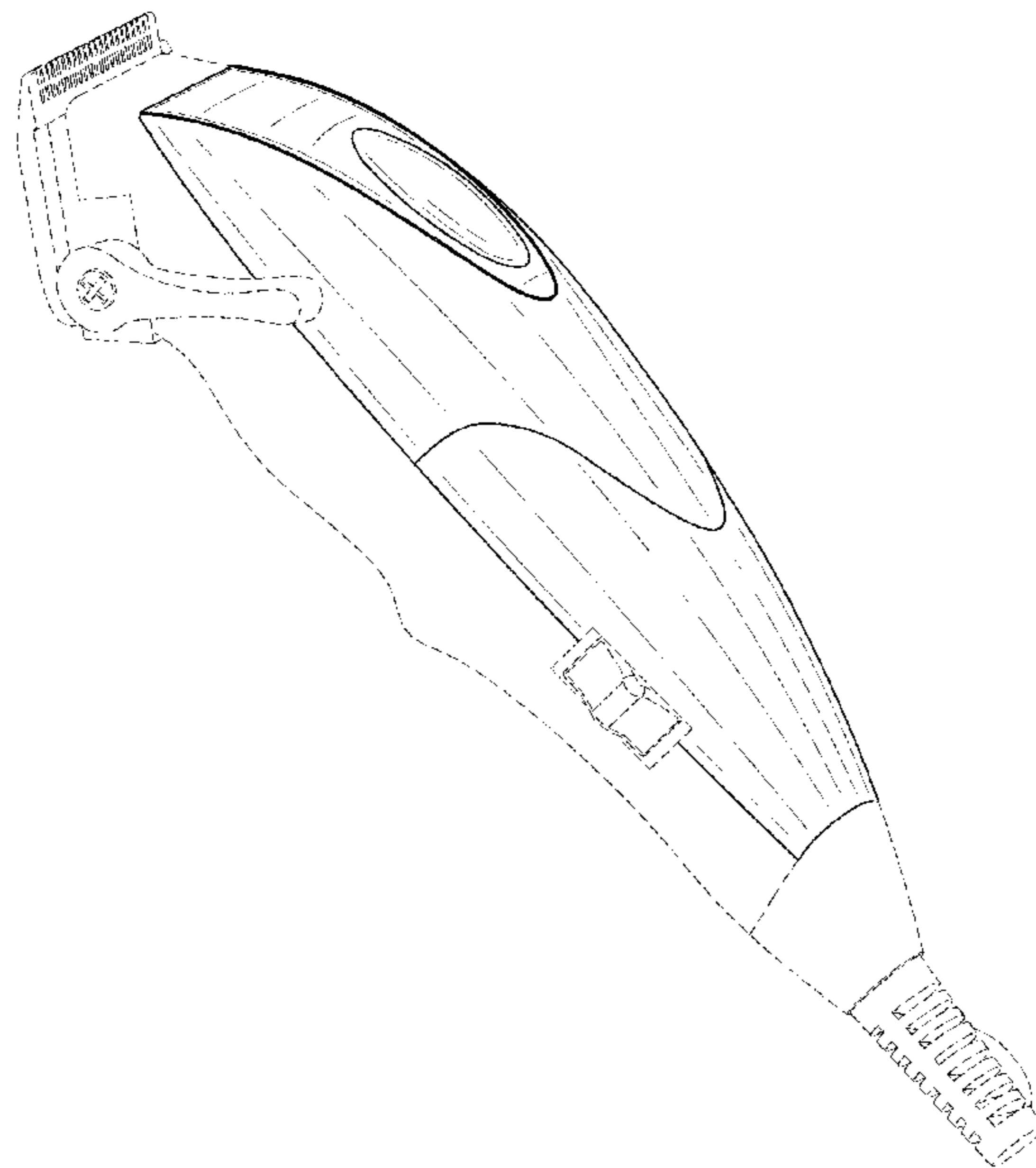
(57) **CLAIM**

The ornamental design for a hair clipper housing lid, as shown and described.

DESCRIPTION

FIG. 1 is a top perspective view of the present hair clipper housing lid;
 FIG. 2 is a top view of same;
 FIG. 3 is a bottom view of same;
 FIG. 4 is a right side view of same;
 FIG. 5 is a left side view of the present hair clipper housing lid;
 FIG. 6 is a front view of the housing lid of FIG. 1; and,
 FIG. 7 is a rear view of same.
 The structure shown in broken lines is for environment purposes only and does not form part of the claimed invention.

1 Claim, 6 Drawing Sheets



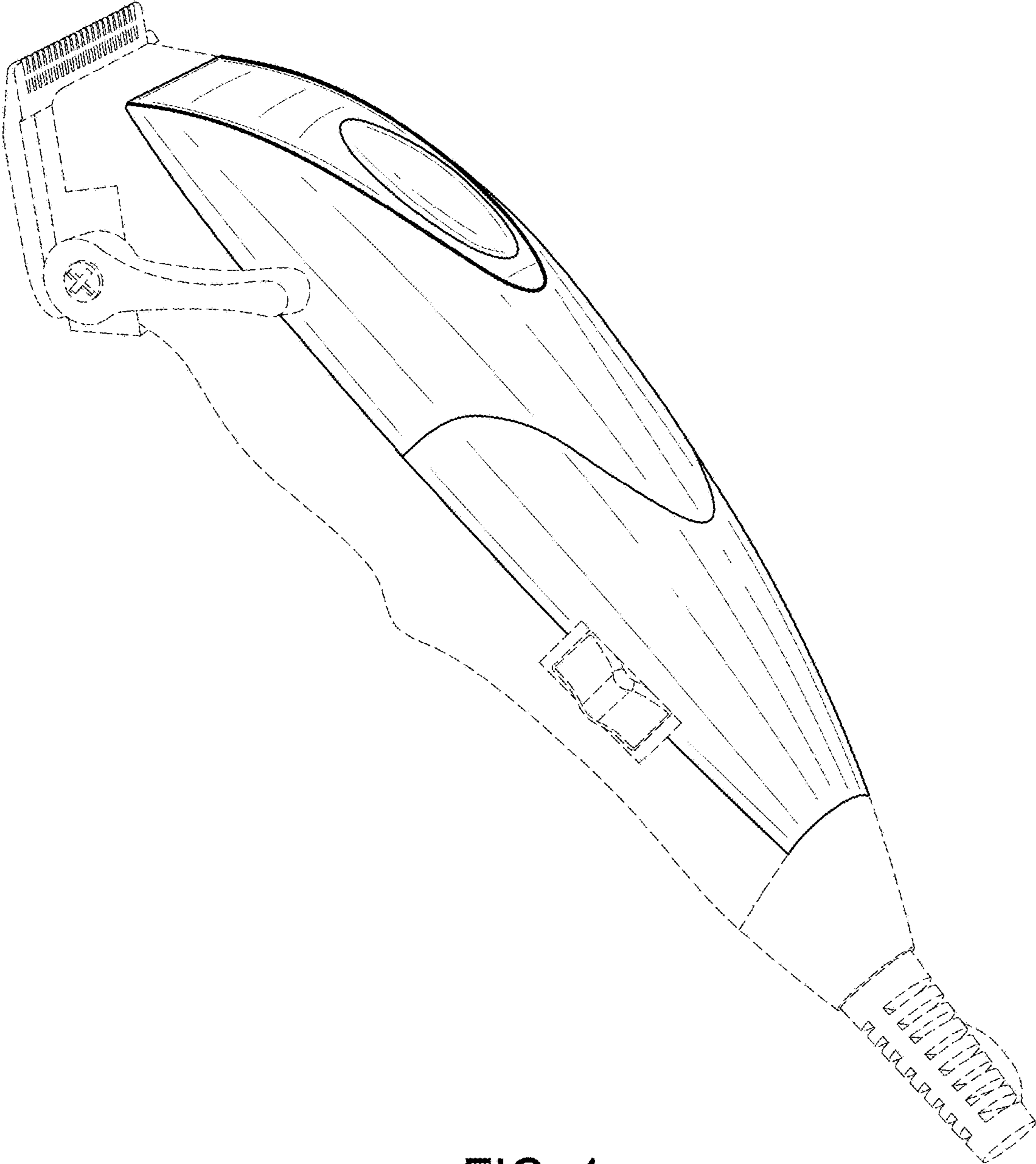


FIG. 1

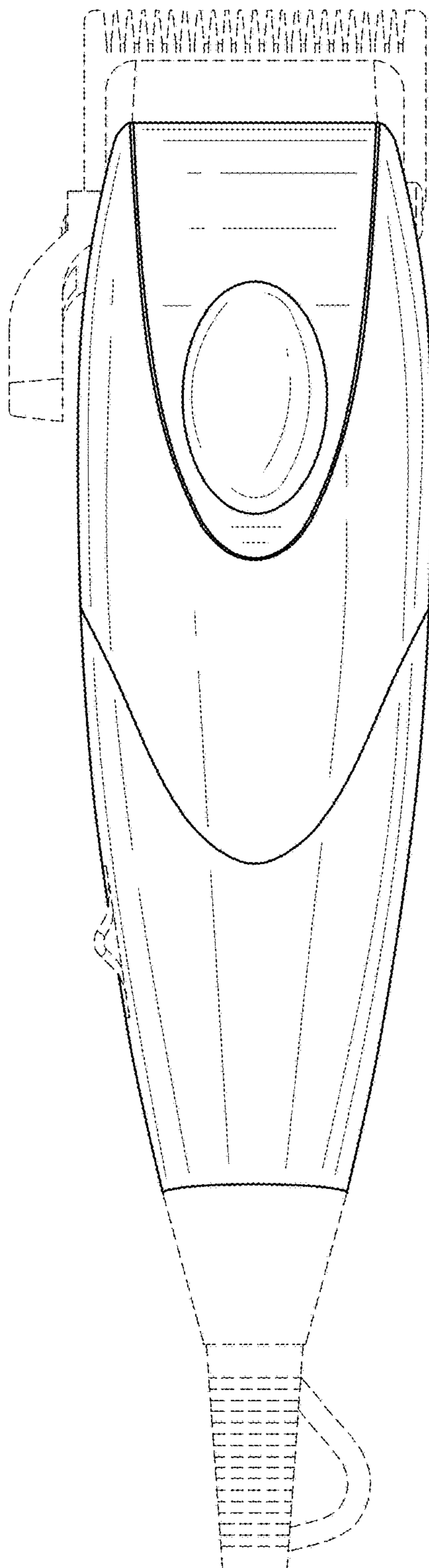


FIG. 2



FIG. 3

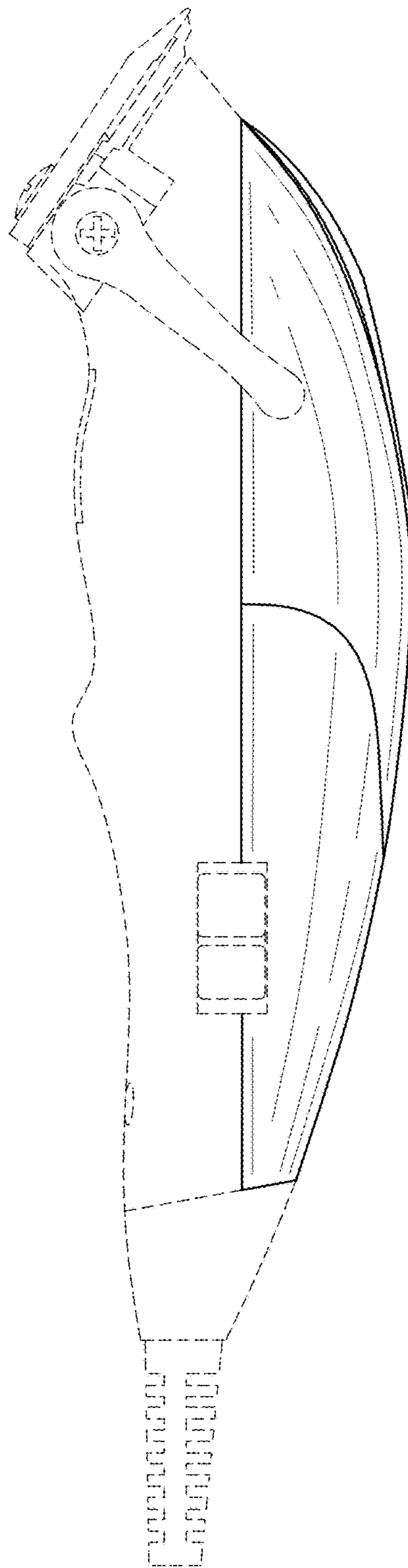


FIG. 4

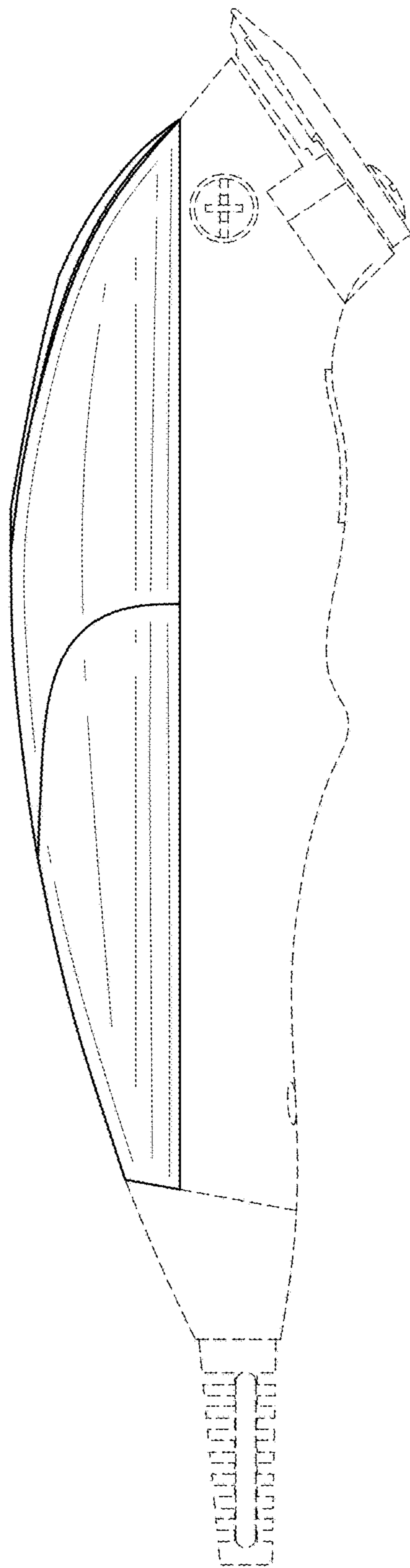


FIG. 5

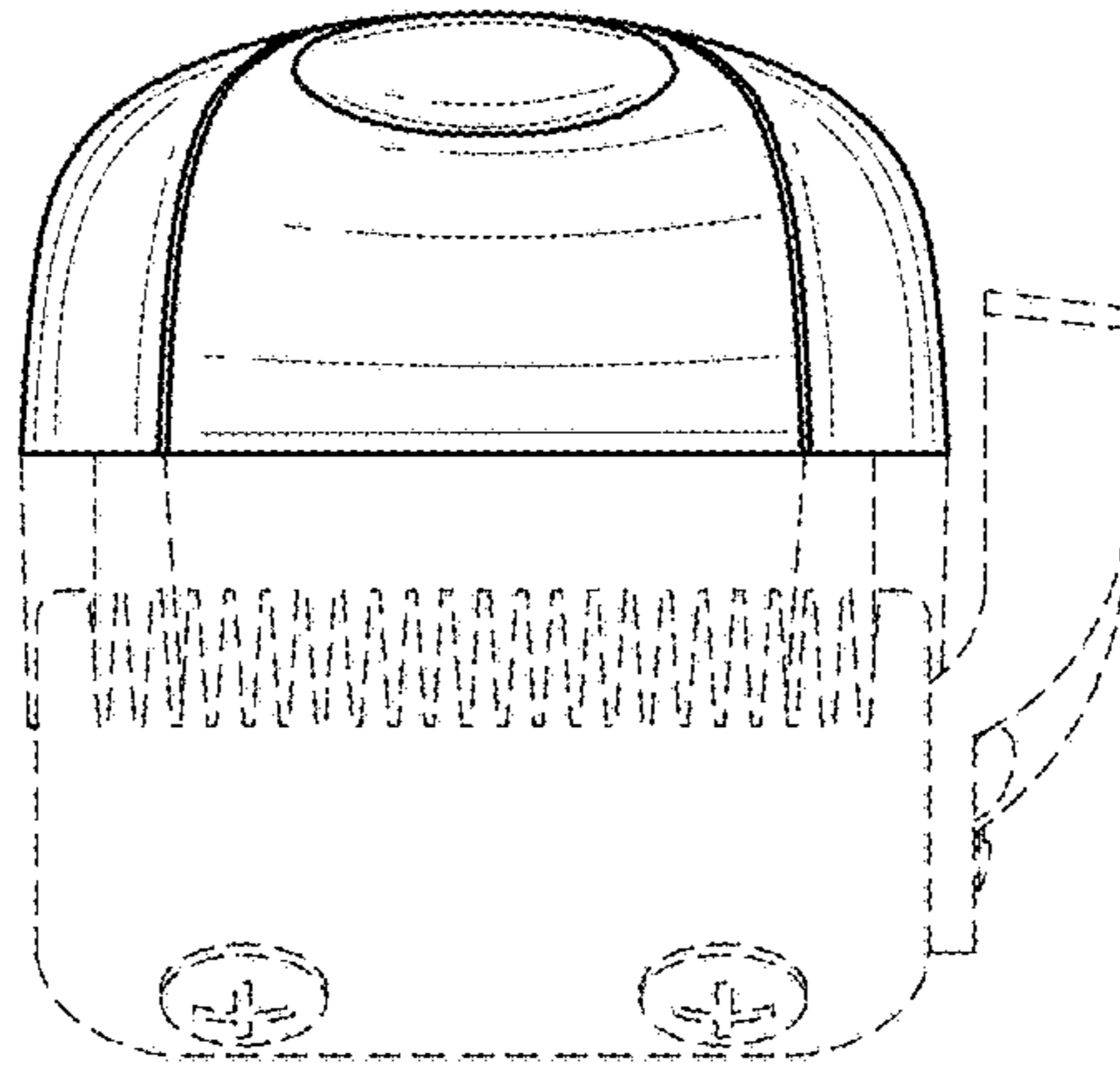


FIG. 6

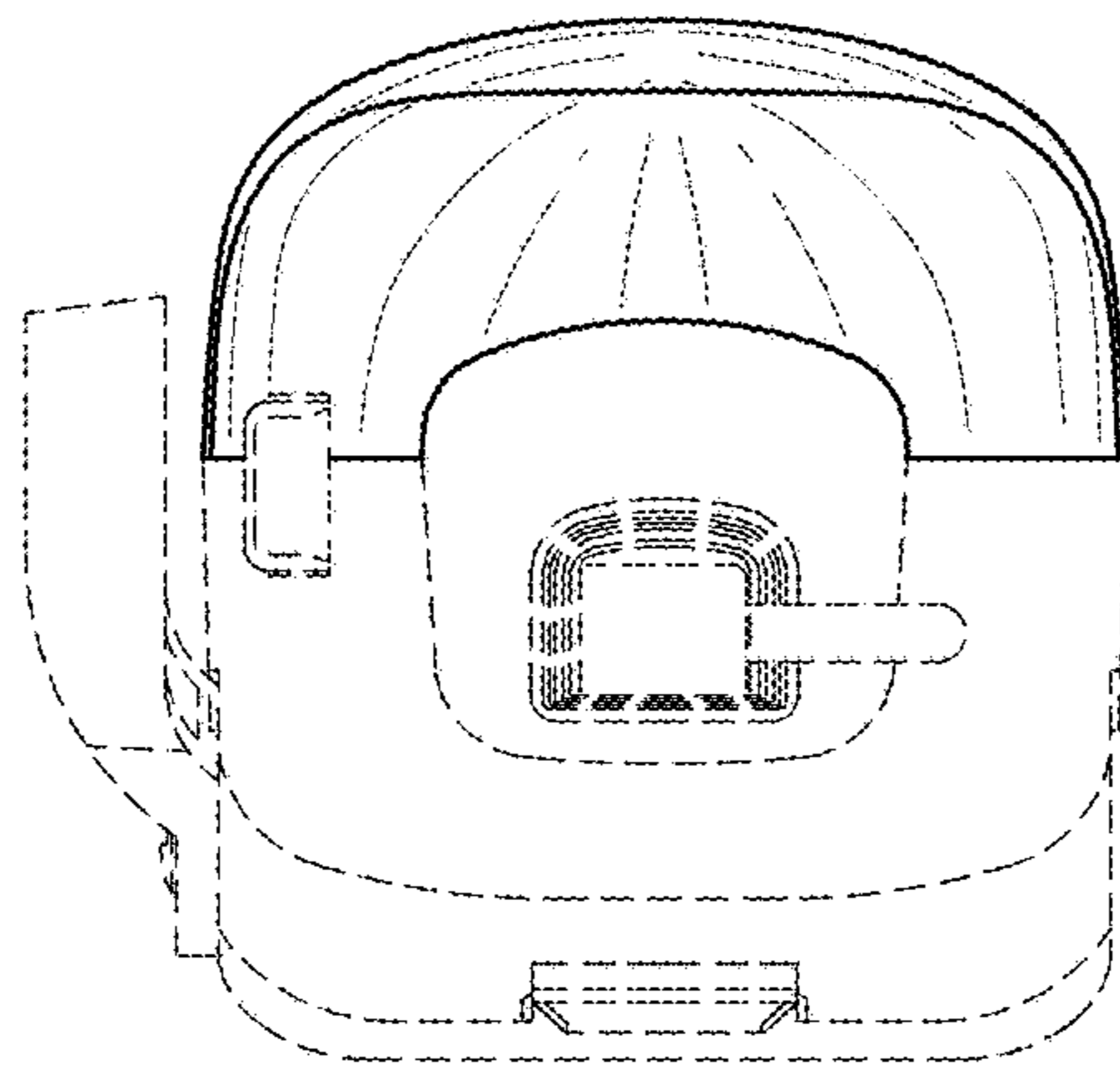


FIG. 7