



US00D790130S

(12) **United States Design Patent** (10) **Patent No.:** **US D790,130 S**  
**Celia** (45) **Date of Patent:** **\*\* Jun. 20, 2017**

(54) **MAKE UP APPLICATOR** 1,447,478 A \* 3/1923 Koshollek ..... F42B 12/34  
102/508  
(71) Applicant: **Wayne M. Celia**, Woonsocket, RI (US) D94,705 S \* 2/1935 Nagy et al. .... D21/460  
D117,449 S \* 11/1939 Devereux ..... D1/118  
(72) Inventor: **Wayne M. Celia**, Woonsocket, RI (US) D181,779 S \* 12/1957 Buralli ..... D21/460  
4,275,096 A \* 6/1981 Taylor ..... B05C 1/06  
118/105  
(73) Assignee: **Diversified Global Technologies, LLC**,  
Woonsocket, RI (US) D389,221 S \* 1/1998 Borg ..... D22/115  
D536,931 S \* 2/2007 Spellman ..... D7/594  
D541,859 S \* 5/2007 Stollery ..... D19/190  
D581,538 S \* 11/2008 Horton ..... D21/460  
D680,264 S \* 4/2013 Manalo ..... D28/7  
D709,646 S \* 7/2014 Celia ..... D28/7  
D768,802 S \* 10/2016 Bowers ..... D22/116  
D770,005 S \* 10/2016 Christiansen ..... D22/116  
2001/0050361 A1 \* 12/2001 Merrick ..... E04H 17/20  
256/1  
(\*\*) Term: **15 Years** 2013/0125921 A1 \* 5/2013 Celia ..... A46B 5/0095  
132/313  
(21) Appl. No.: **29/557,195** 2017/0052008 A1 \* 2/2017 Peterson ..... F42B 12/08

(22) Filed: **Mar. 7, 2016**  
(51) **LOC (10) Cl.** ..... **28-02**  
(52) **U.S. Cl.**  
USPC ..... **D28/7**

(58) **Field of Classification Search**  
USPC ..... D28/7, 8, 59, 82; D4/137; D8/300, 307,  
D8/310, 378, 380, 352; D9/724-725,  
D9/680; D21/455, 460, 463, 707;  
D26/154; D1/118, 130; D19/187, 199,  
D19/203; D32/40, 119; D22/112, 116;  
D24/106; D11/121  
CPC ..... A47K 7/03; A61M 35/003; A45D 40/00;  
A45D 2200/1009; A45D 2200/1018;  
A45D 2200/1036; A47L 13/17; A46B  
9/021; H04R 1/10; H04R 1/1008; H04R  
1/1016; H04R 5/0335; F42B 10/22; F42B  
10/46; F42B 12/36; F42B 10/26; F42B  
12/34; F42B 30/02; F42B 12/02; F42B  
5/30; F42B 5/307; F42B 5/313; F42B  
5/025; A47G 33/08

See application file for complete search history.

(56) **References Cited**  
U.S. PATENT DOCUMENTS  
D31,655 S \* 10/1899 Porter ..... D21/460  
D50,980 S \* 7/1917 Barbalich ..... 446/256

\* cited by examiner

*Primary Examiner* — Karen Kearney  
*Assistant Examiner* — Debra Callahan  
(74) *Attorney, Agent, or Firm* — IP Attorneys Group,  
LLC

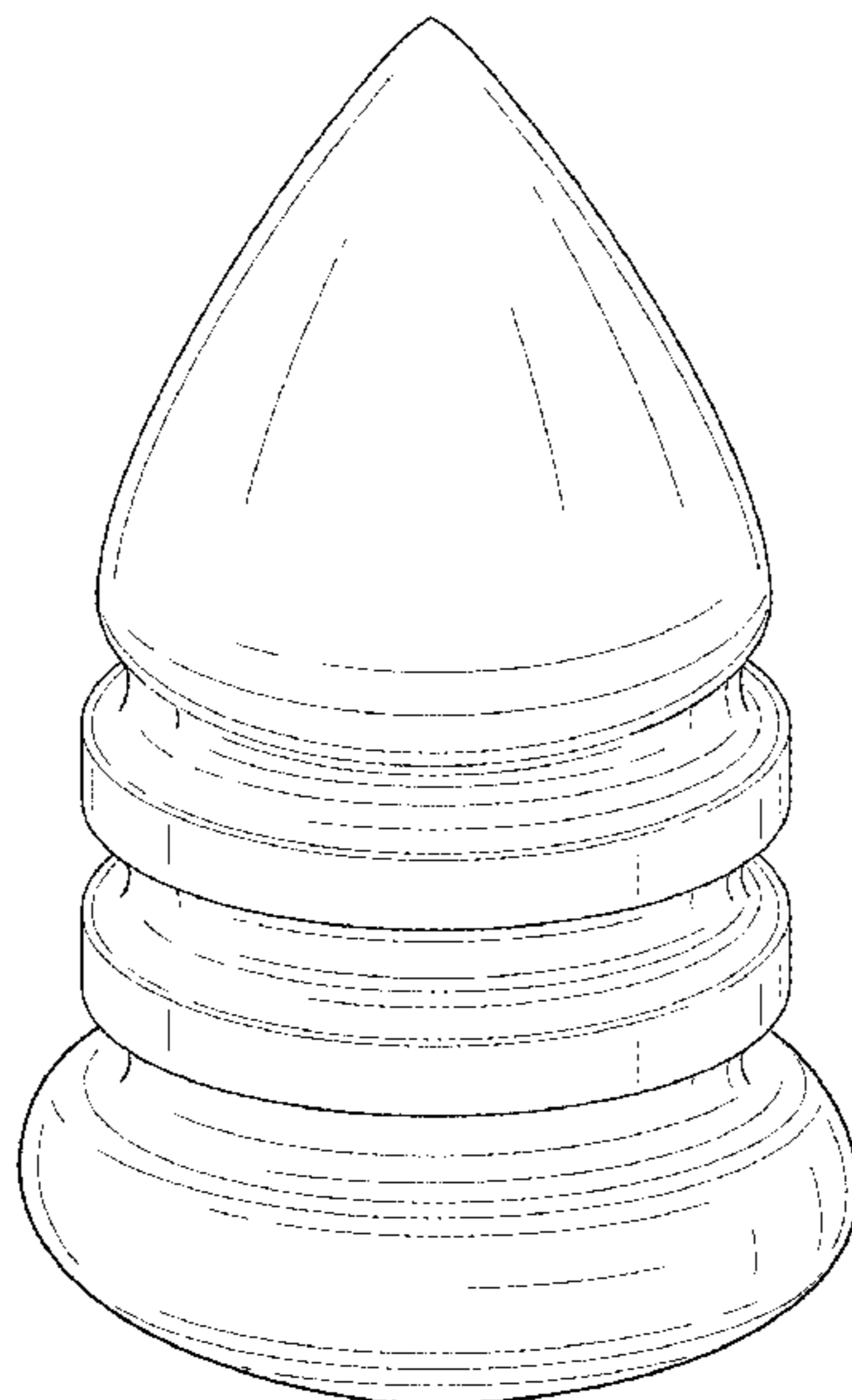
(57) **CLAIM**

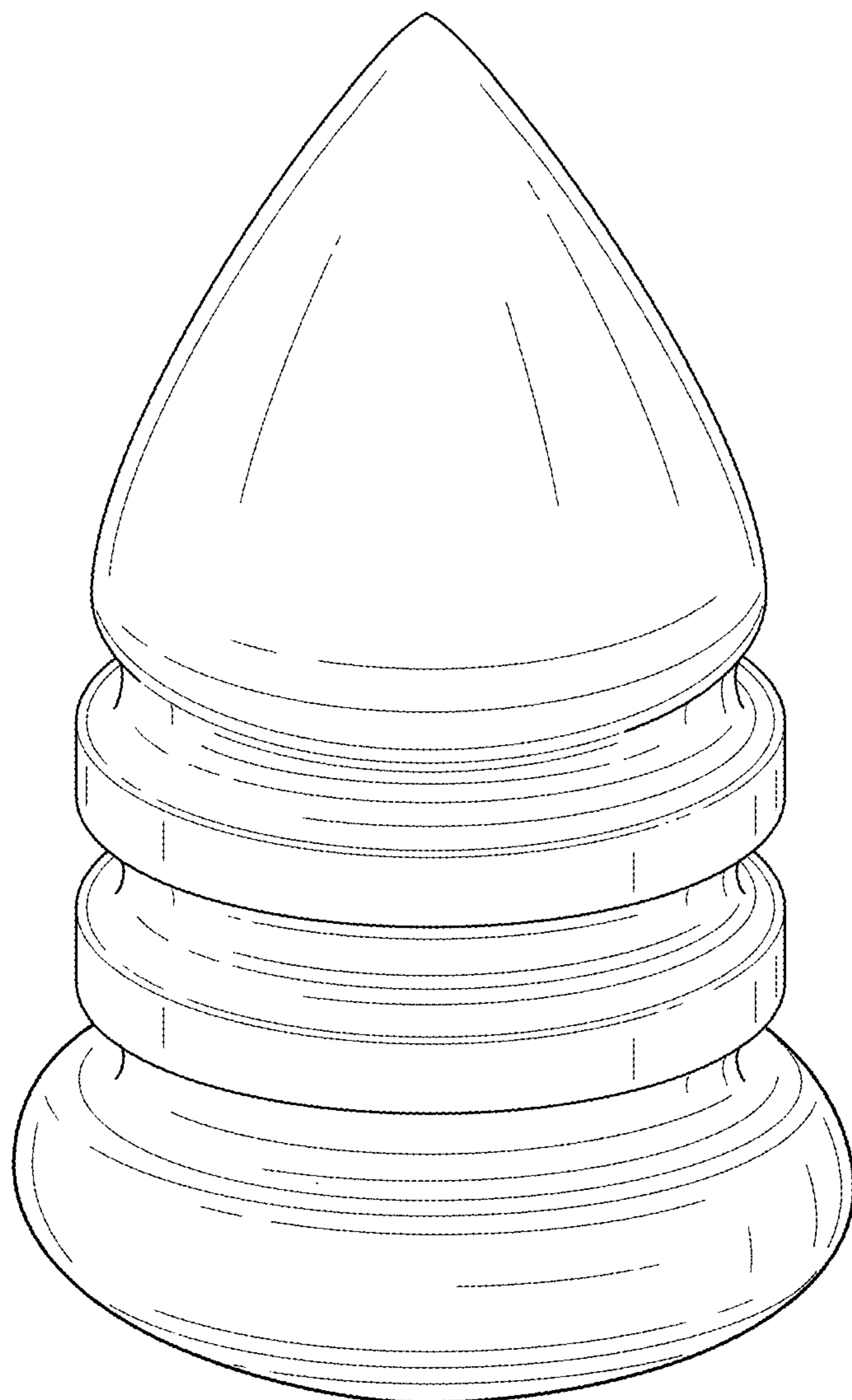
The ornamental design for a make up applicator, as shown and described.

**DESCRIPTION**

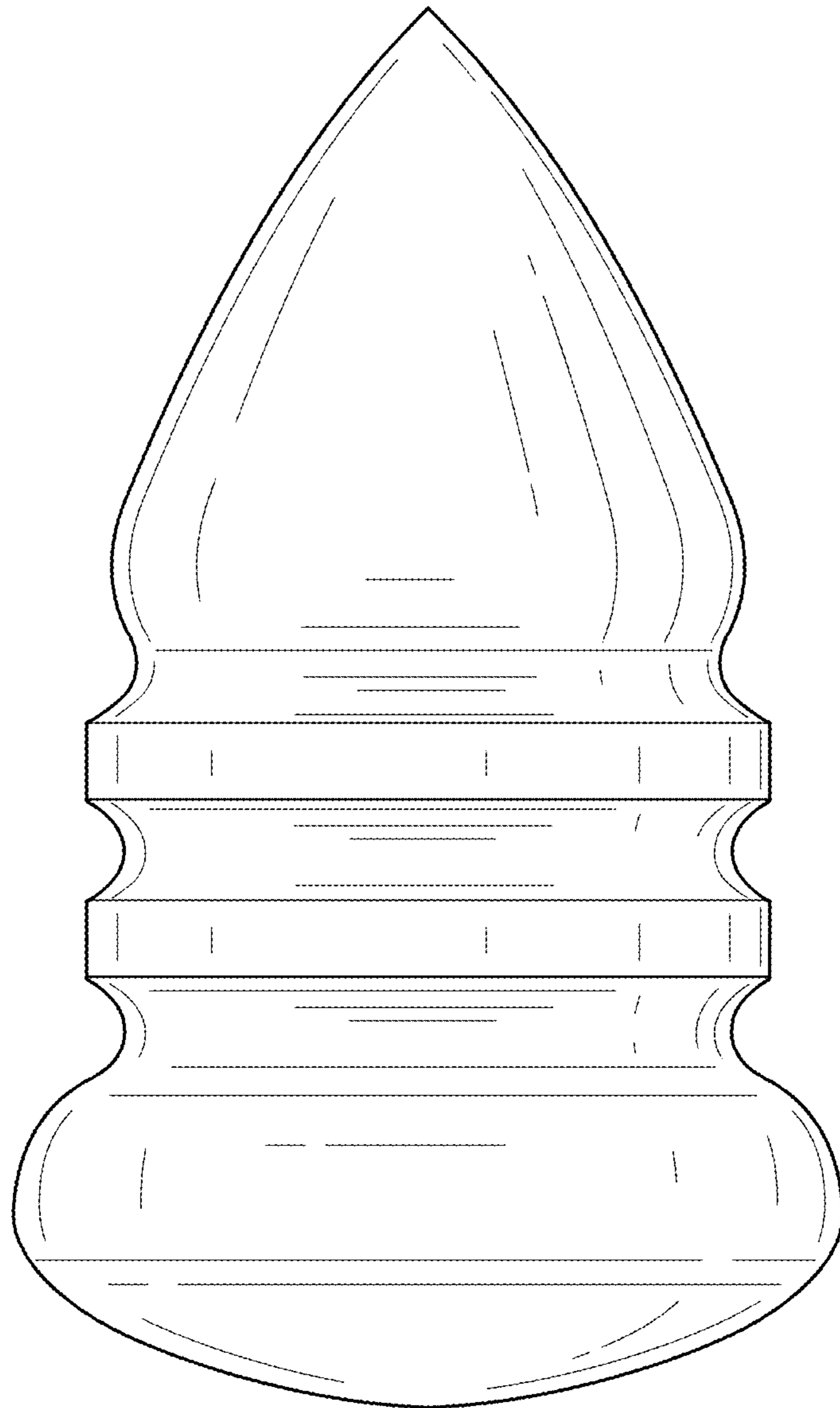
FIG. 1 is a perspective view of a make up applicator in accordance with my new design;  
FIG. 2 is a side view thereof;  
FIG. 3 is a top view thereof; and,  
FIG. 4 is a bottom view thereof.

**1 Claim, 3 Drawing Sheets**

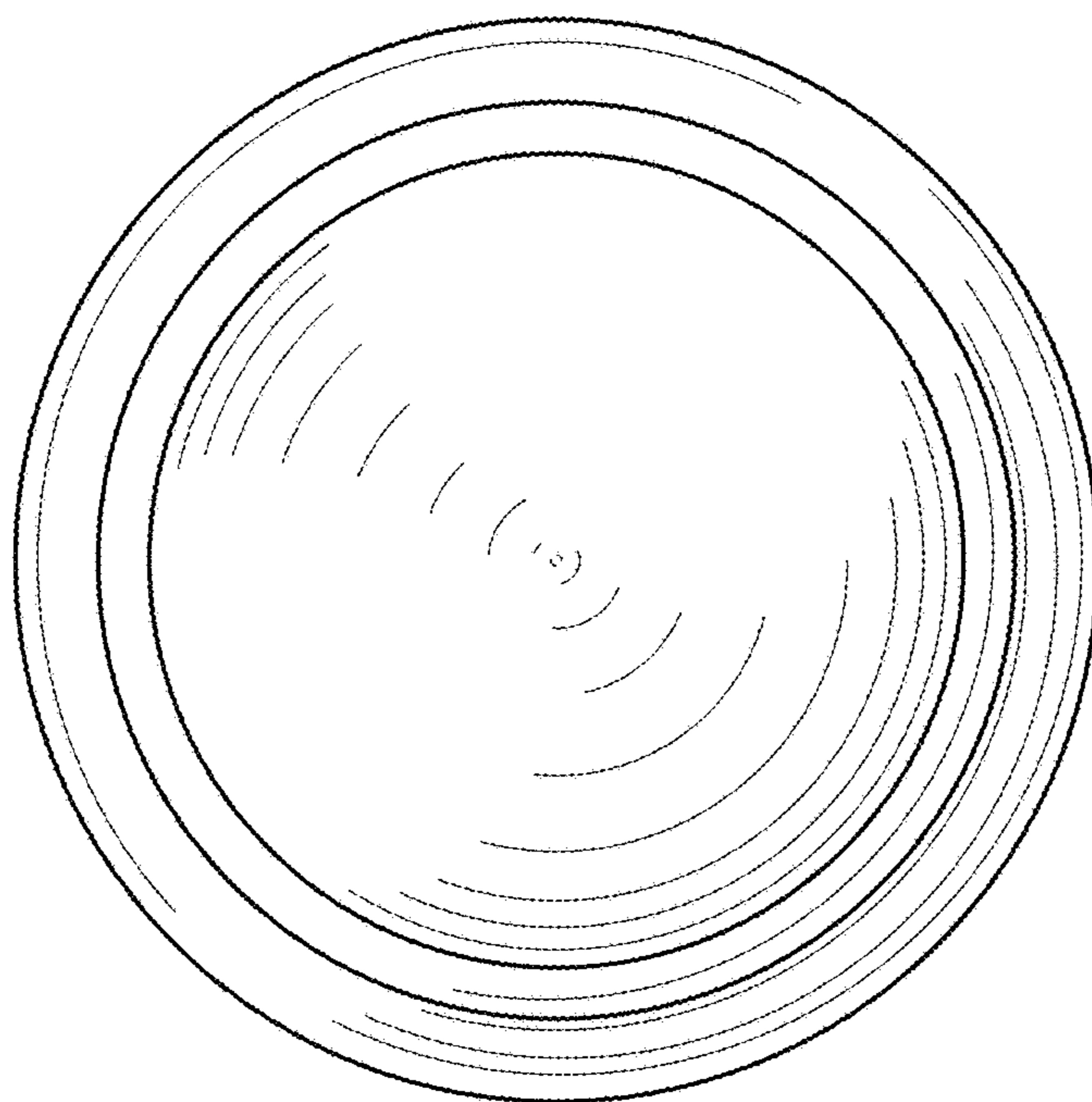




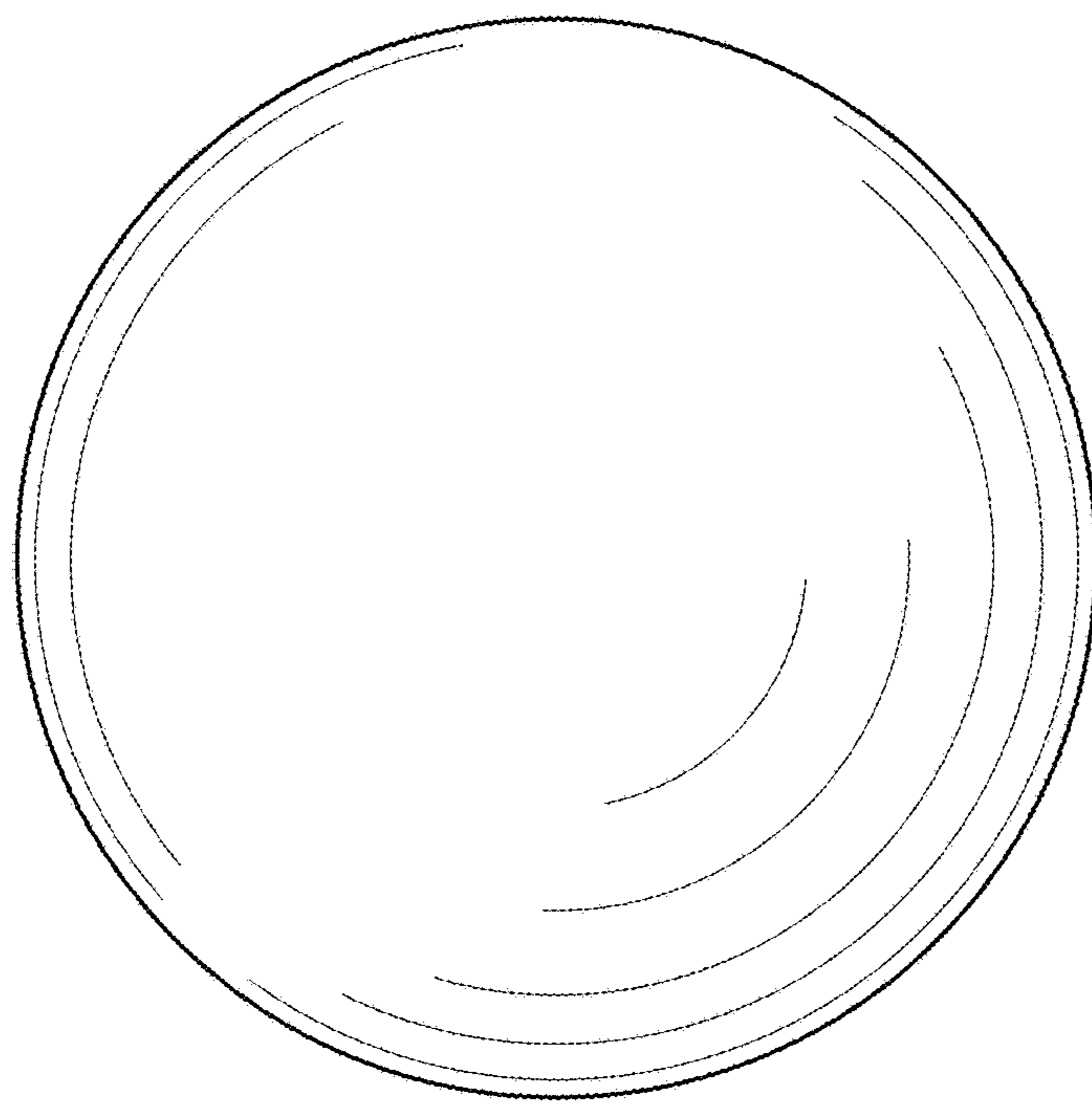
**FIG. 1**



**FIG. 2**



**FIG. 3**



**FIG. 4**