

US00D790129S

(12) **United States Design Patent** (10) **Patent No.:** **US D790,129 S**
Bennett et al. (45) **Date of Patent:** **** Jun. 20, 2017**

- (54) **CASE FOR AN ELECTRONIC CIGARETTE**
- (71) Applicant: **BEYOND TWENTY LTD.**, London (GB)
- (72) Inventors: **Adrian Bennett**, London (GB); **Ian Murison**, London (GB)
- (73) Assignee: **BEYOND TWENTY LTD.**, London (GB)
- (**) Term: **14 Years**
- (21) Appl. No.: **29/514,261**
- (22) Filed: **Jan. 9, 2015**
- (51) **LOC (10) Cl.** **27-06**
- (52) **U.S. Cl.**
 USPC **D27/189**
- (58) **Field of Classification Search**
 USPC D27/101, 162, 163–169, 171, 186, 187, D27/189, 191; D24/110, 113; D23/360; 131/329; D9/423
 CPC A24F 47/00; A24F 47/002; A24F 47/004; A24F 47/006; A24F 47/008; A24F 15/00; A24F 15/04; A24F 15/14; A24F 15/20; A24F 15/12; F23Q 2/28
 See application file for complete search history.

(56) **References Cited**

U.S. PATENT DOCUMENTS

- D433,532 S * 11/2000 Higgins D27/186
 D649,032 S * 11/2011 Hearn D9/423
 D661,016 S * 5/2012 Borges D27/189
 D671,677 S * 11/2012 Wu D27/189
 D677,774 S * 3/2013 Postma D23/360
 D690,002 S * 9/2013 Storey D24/110
 D692,615 S * 10/2013 Verleur D27/186
 D693,054 S * 11/2013 Verleur D27/189
 D731,114 S * 6/2015 Leidel D27/163
 D741,002 S * 10/2015 Liu D27/189
 9,247,773 B2 * 2/2016 Memari A24F 15/12

- D751,756 S * 3/2016 Hearn D27/189
 D752,808 S * 3/2016 Hearn D27/189
 2015/0034507 A1 * 2/2015 Liu A24F 15/12
 206/256

(Continued)

Primary Examiner — Susan Bennett Hattan
Assistant Examiner — Janice Hallmark
 (74) *Attorney, Agent, or Firm* — Saul Ewing LLP

(57) **CLAIM**

The ornamental design for a case for an electronic cigarette, as shown and described.

DESCRIPTION

This application is related to U.S. Design application Ser. No. 29/514,260, titled “Case for an Electronic Cigarette” being filed concurrently herewith.

FIG. 1 is a back right side perspective view of the case for an electronic cigarette showing our new design in a closed configuration for clarity of disclosure;

FIG. 2 is a front view thereof;

FIG. 3 is a back view thereof;

FIG. 4 is a left side view thereof;

FIG. 5 is a right side view thereof;

FIG. 6 is a top view thereof;

FIG. 7 is a bottom view thereof.

FIG. 8 is a front right side perspective view thereof;

FIG. 9 is a back left side perspective view of the case for an electronic cigarette shown in an open configuration for clarity of disclosure;

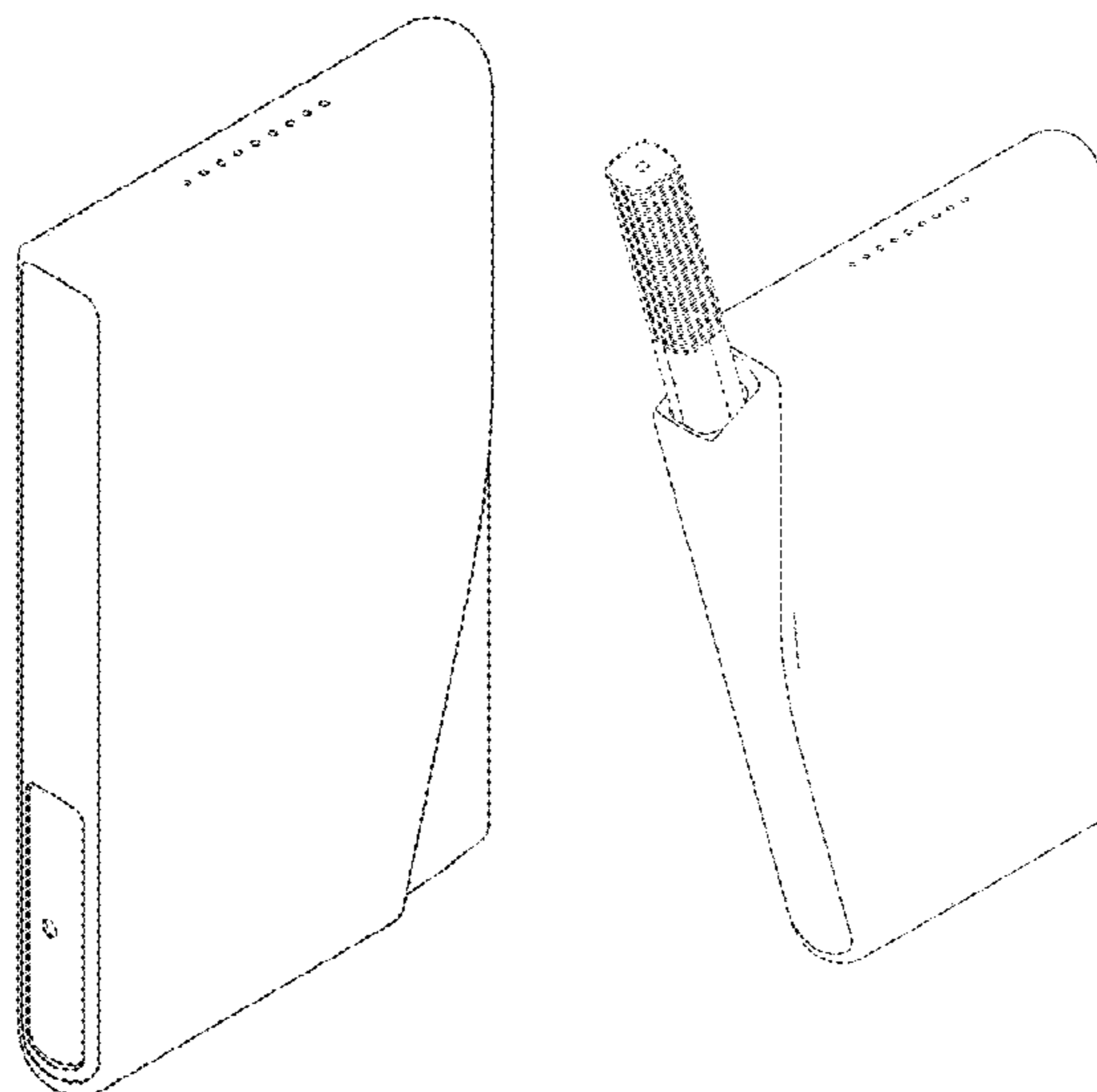
FIG. 10 is a left front perspective view thereof;

FIG. 11 is a second left front perspective view of the case for an electronic cigarette shown in an open position for clarity of disclosure, shown in a state of use with an electronic cigarette; and,

FIG. 12 is a third left front perspective view thereof.

The broken lines in FIGS. 11 and 12 depict an electronic cigarette that forms no part of the claimed design.

1 Claim, 12 Drawing Sheets



(56)

References Cited

U.S. PATENT DOCUMENTS

2015/0216228 A1* 8/2015 Roila B65D 85/1036
206/254
2015/0245654 A1* 9/2015 Memari A24F 15/12
141/2

* cited by examiner

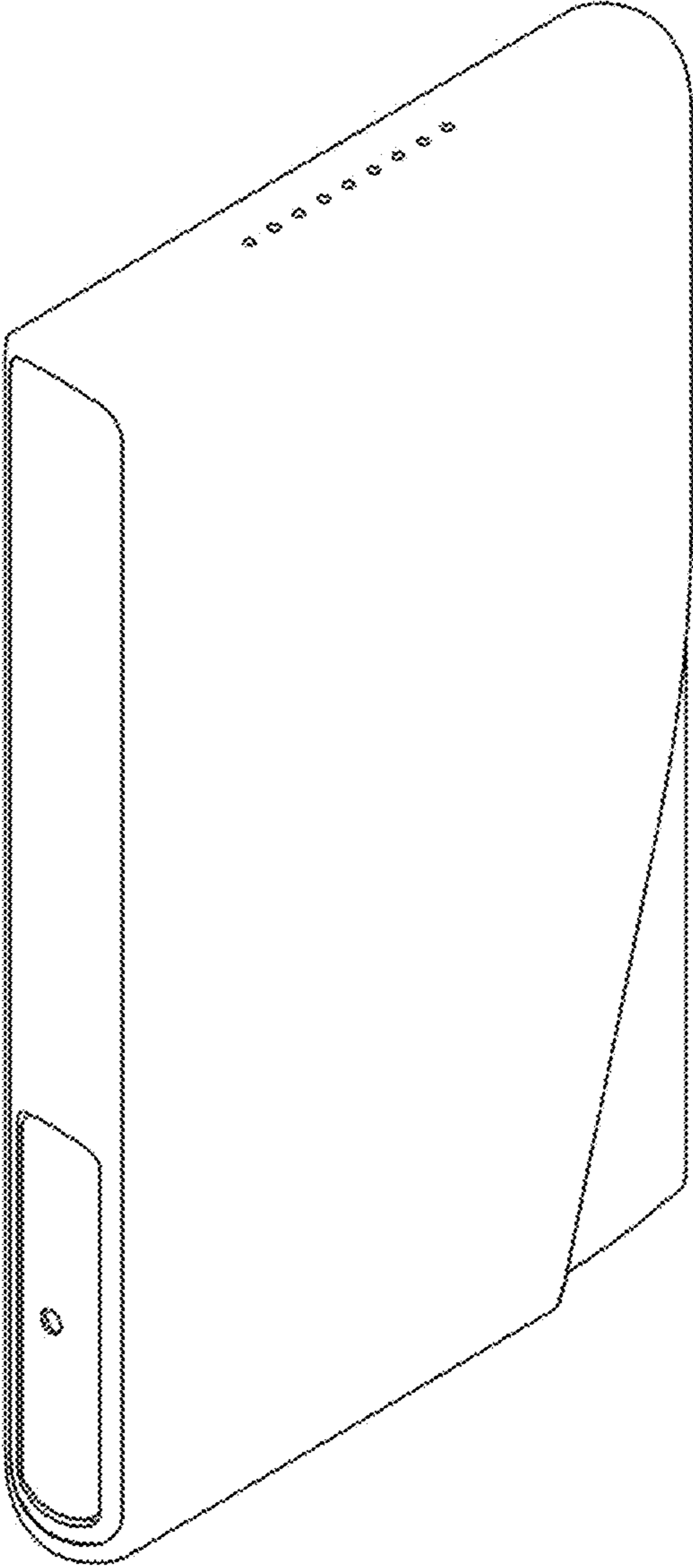


FIG. 1

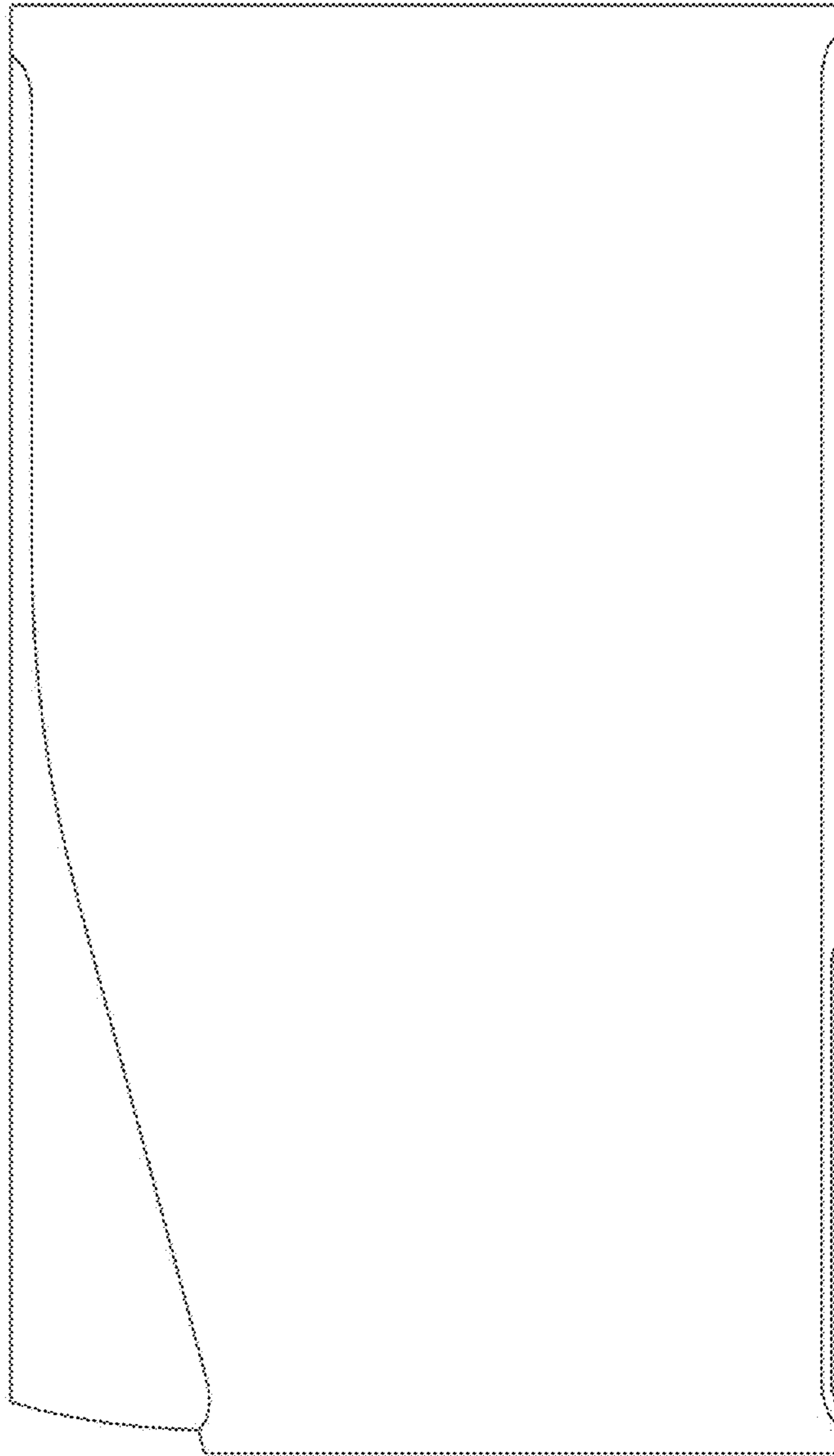


FIG. 2

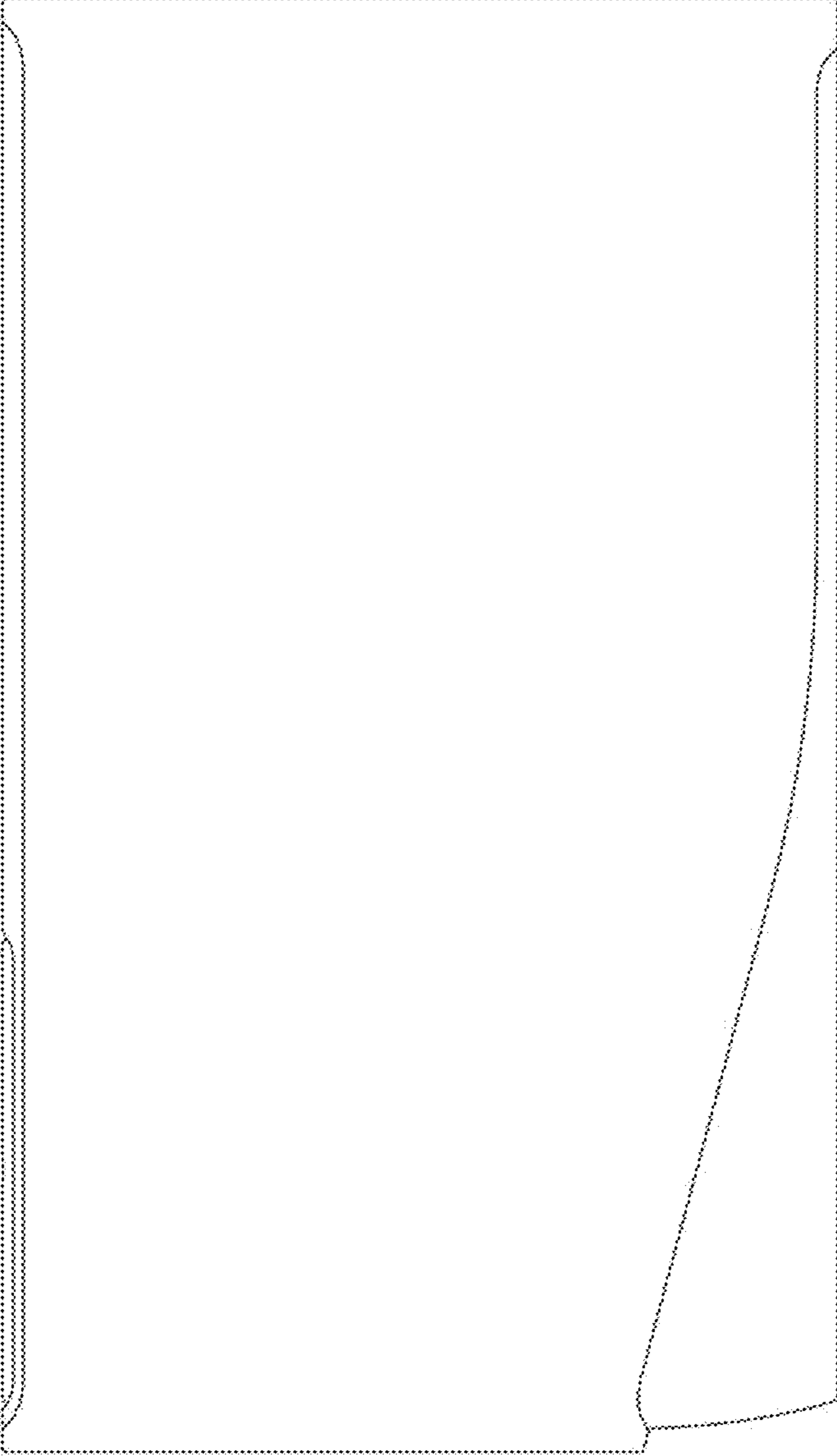


FIG. 3

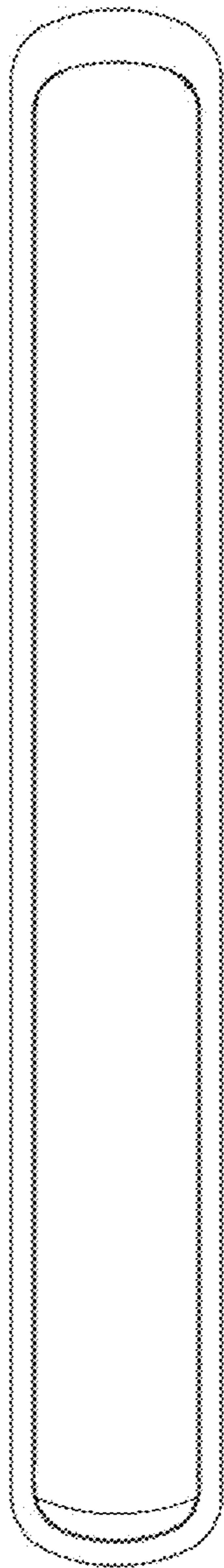


FIG. 4

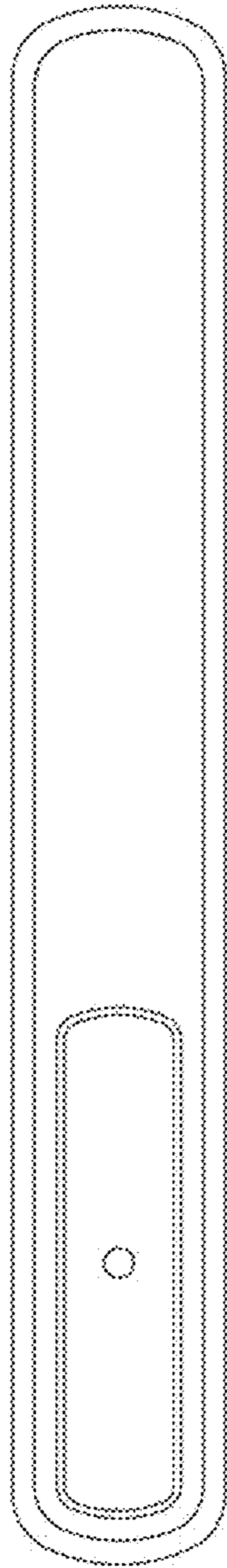


FIG. 5

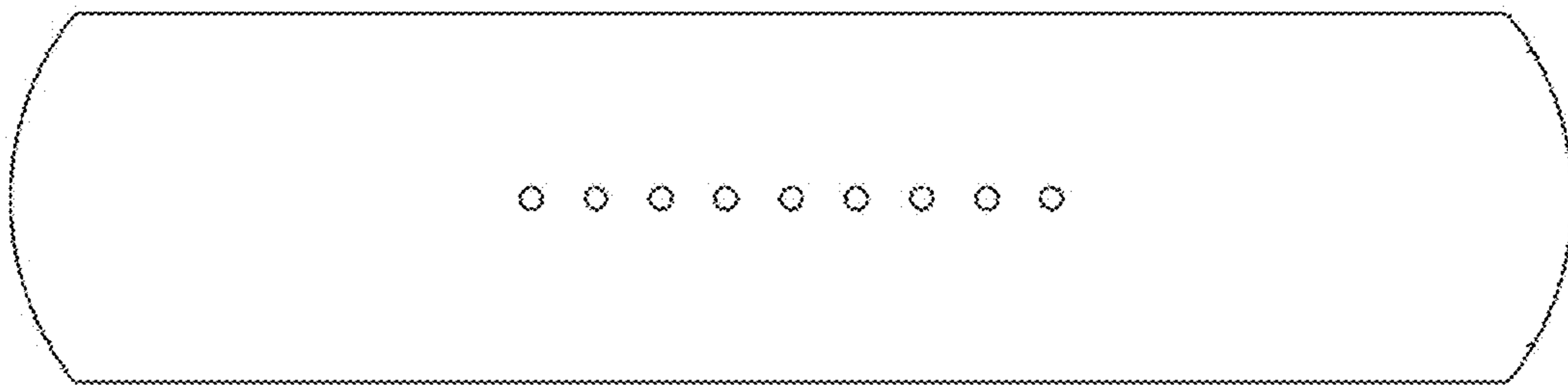


FIG. 6

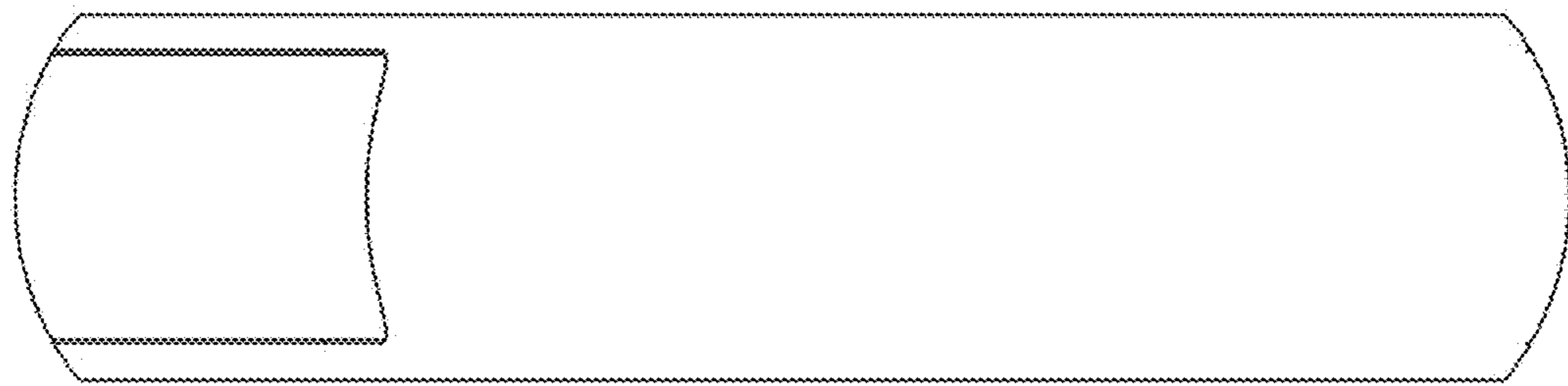


FIG. 7

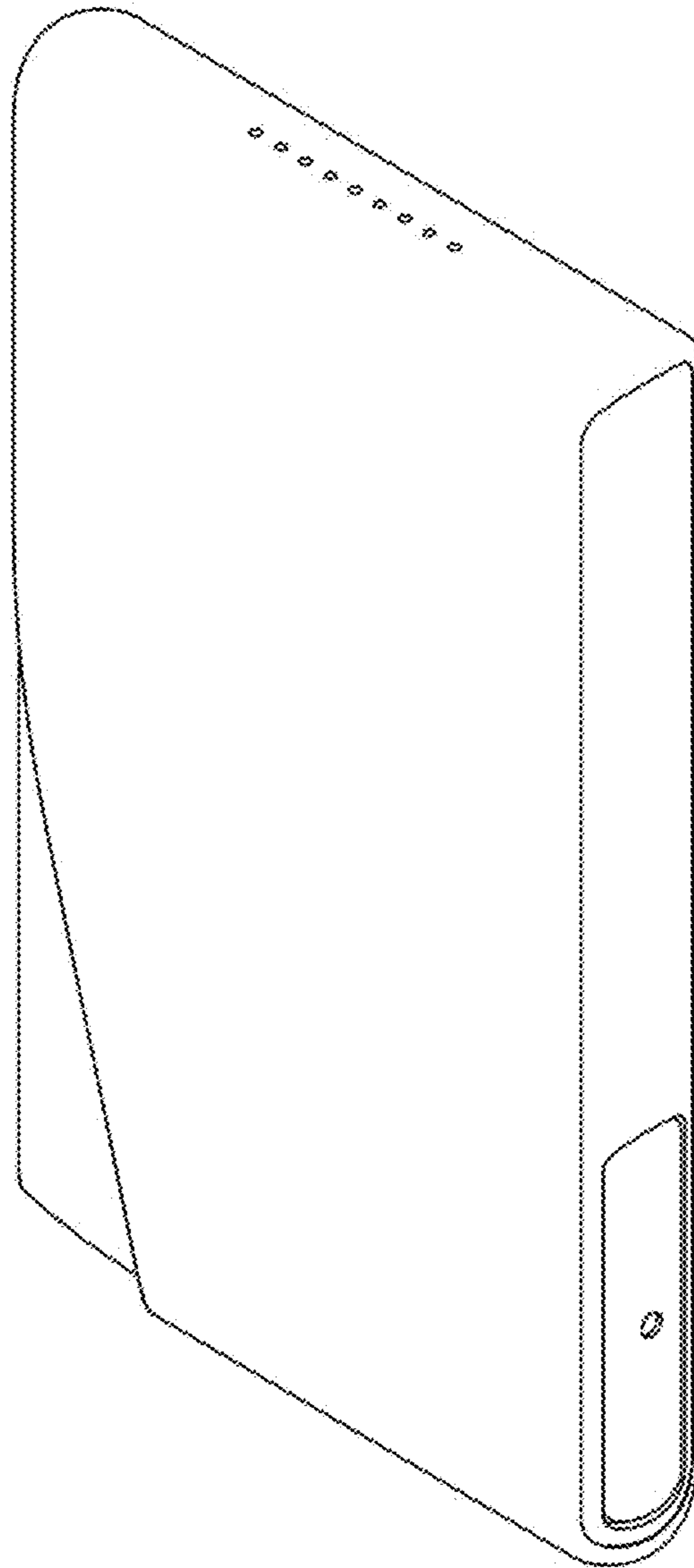


FIG. 8

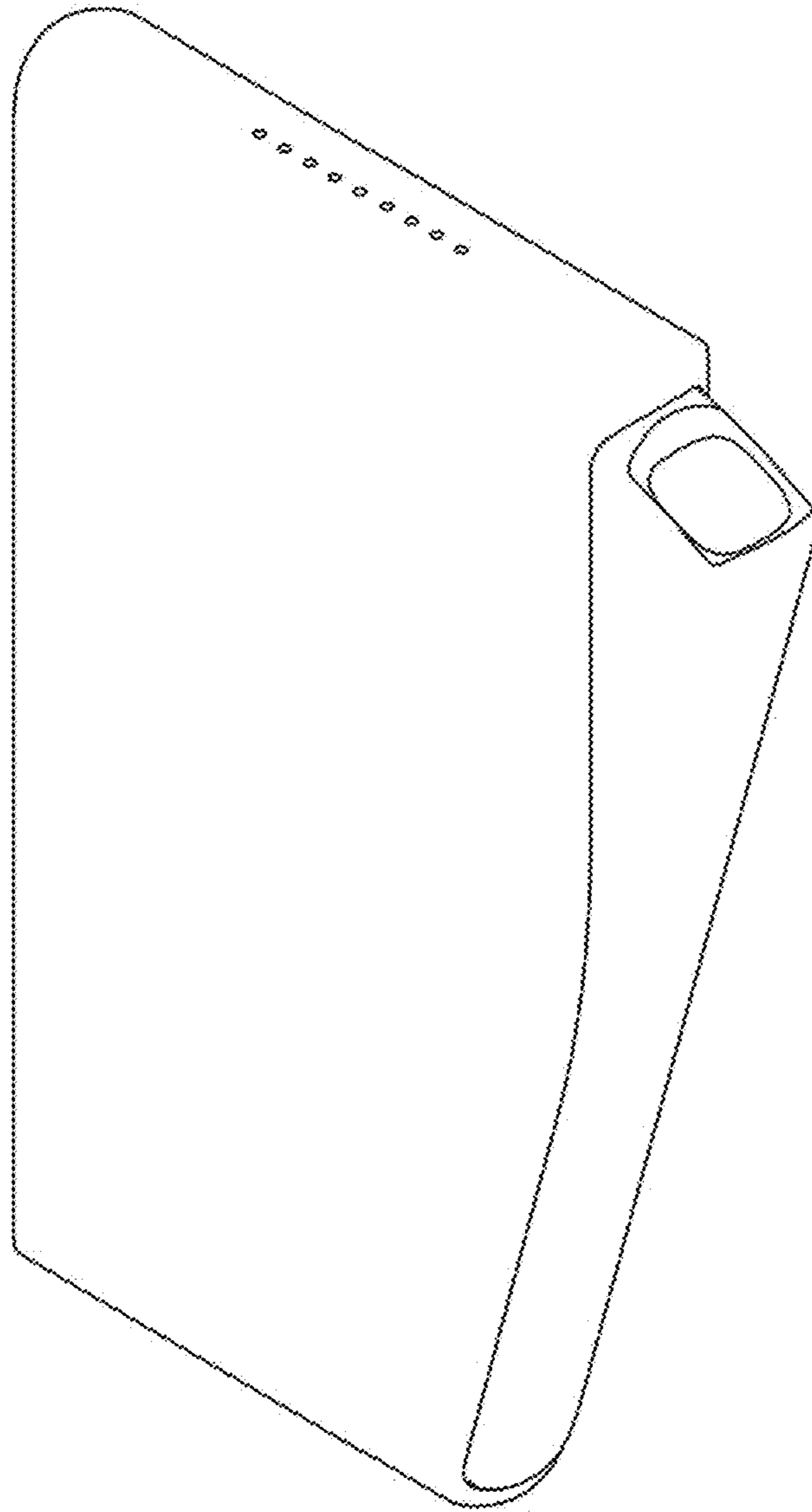


FIG. 9

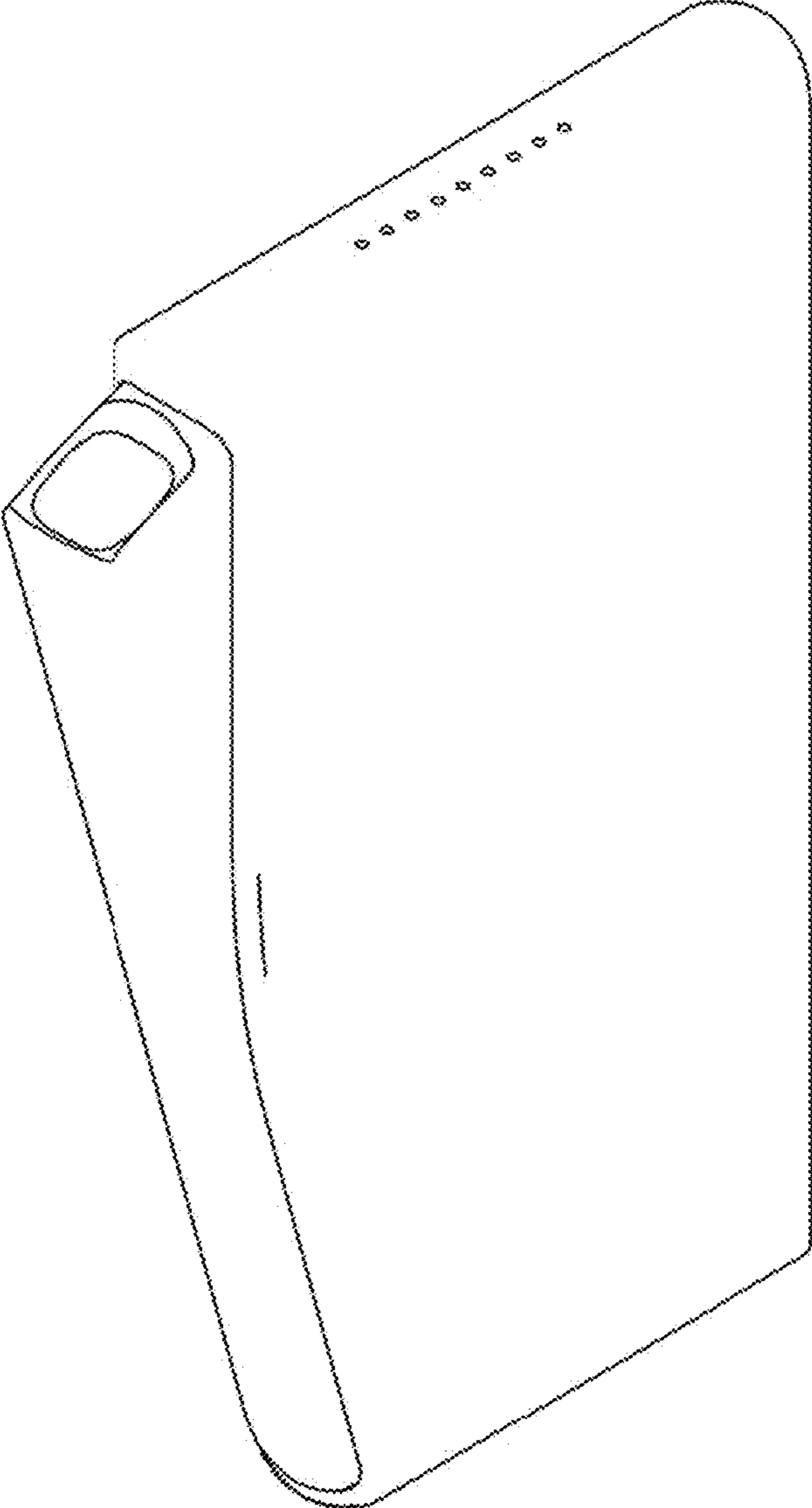


FIG. 10

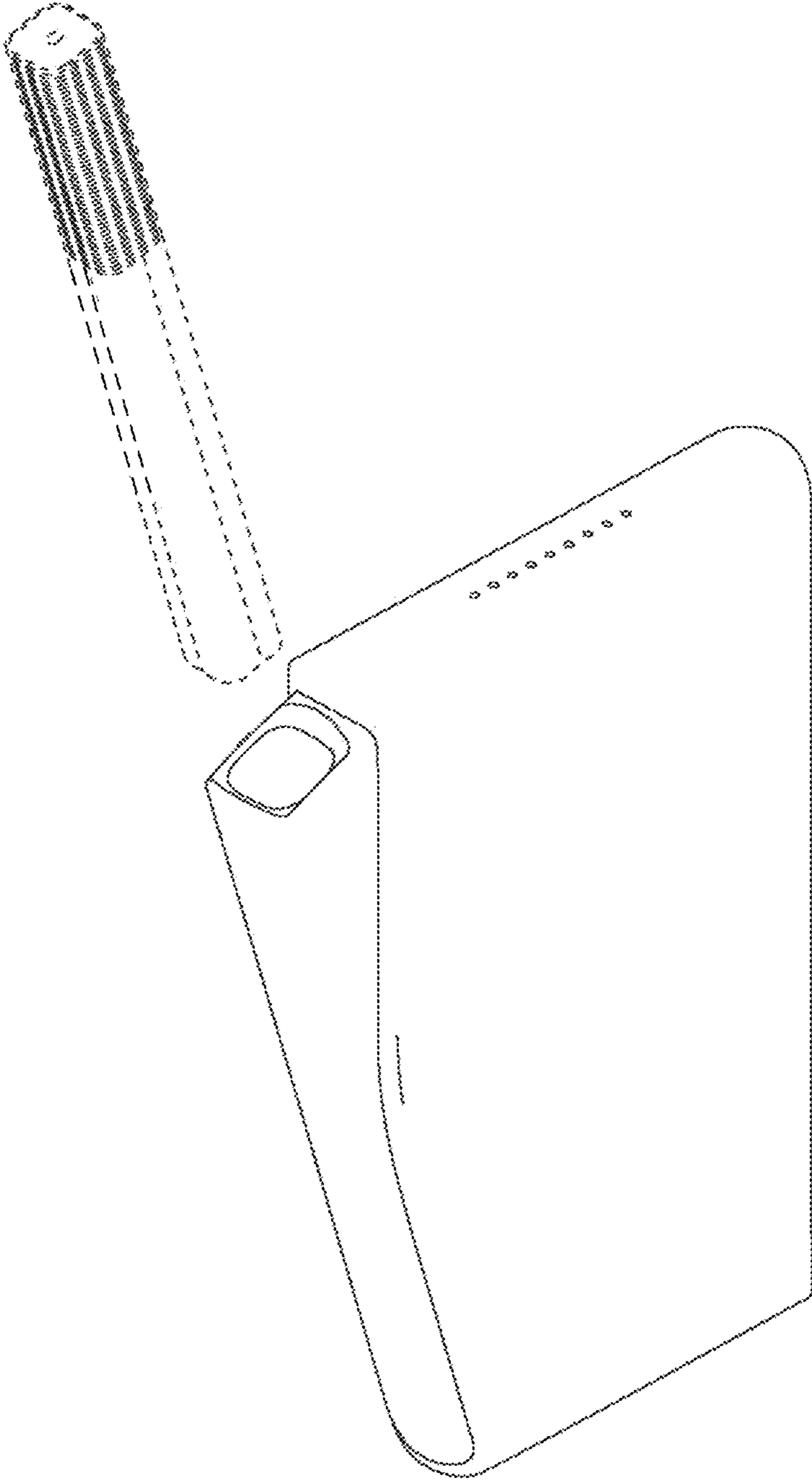


FIG. 11

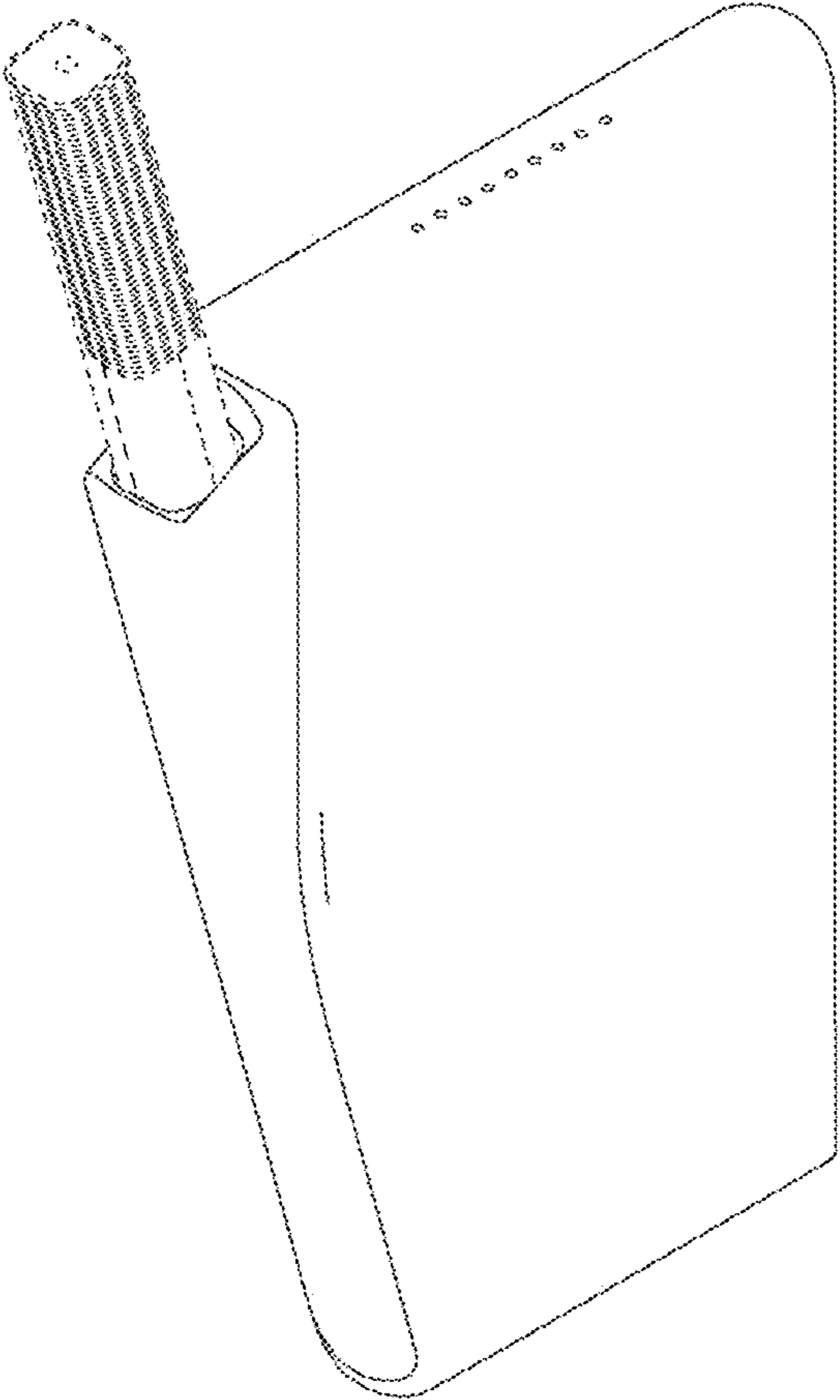


FIG. 12