



US00D790128S

(12) **United States Design Patent** (10) **Patent No.:** **US D790,128 S**
Khoury et al. (45) **Date of Patent:** **** Jun. 20, 2017**

(54) **CIGARETTE HOLDER** 6,606,996 B1 * 8/2003 Thornell A24F 19/0085
131/231
(71) Applicants: **John Christopher Khoury**, New York, D493,011 S * 7/2004 Foote D27/104
NY (US); **Heather Kelly**, New York, D551,798 S * 9/2007 McGuire D27/133
NY (US) D636,119 S * 4/2011 Worlock D27/161
D648,892 S * 11/2011 Cordova D27/183
(72) Inventors: **John Christopher Khoury**, New York, D658,329 S * 4/2012 Katz D27/125
NY (US); **Heather Kelly**, New York, D700,396 S * 2/2014 Ahmet D27/161
NY (US) D731,706 S 6/2015 Wilson
D735,935 S * 8/2015 Burrell D27/183
(Continued)

(**) Term: **15 Years**

FOREIGN PATENT DOCUMENTS

(21) Appl. No.: **29/554,181**
(22) Filed: **Feb. 9, 2016**
(51) **LOC (10) Cl.** **27-06**
(52) **U.S. Cl.**
USPC **D27/183**
(58) **Field of Classification Search**
USPC D27/102, 103, 108, 110, 125, 128, 129,
D27/133, 134, 135, 137, 138, 172, 173,
D27/175, 180, 183, 127, 189; 131/231,
131/238, 239, 240, 241, 242, 242.5, 243
CPC . A24F 13/02; A24F 7/00; A24F 29/00; A24D
3/00; A24C 5/56
See application file for complete search history.

WO WO2009019619 2/2009
Primary Examiner — Eric Goodman
Assistant Examiner — Jennifer Wright
(74) *Attorney, Agent, or Firm* — Goldstein Law Offices,
P.C.

(57) **CLAIM**

The ornamental design for a cigarette holder, as shown and described.

DESCRIPTION

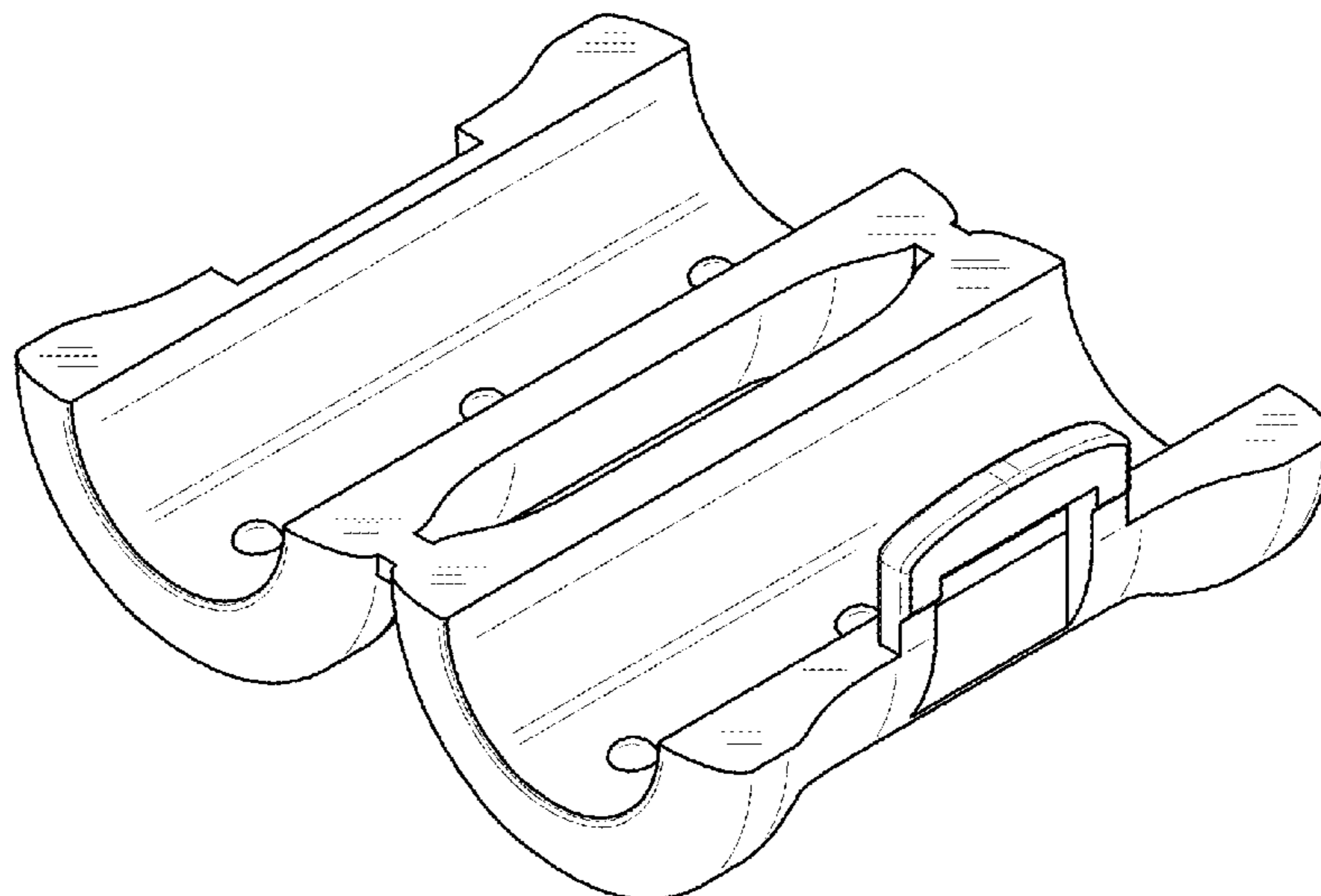
FIG. 1 is a perspective view of the cigarette holder shown in an open position in full lines.
FIG. 2 is a top plan view of the cigarette holder.
FIG. 3 is a bottom plan view thereof.
FIG. 4 is a front elevational view thereof.
FIG. 5 is a rear elevational view thereof.
FIG. 6 is a right side elevational view thereof.
FIG. 7 is a left side elevational view thereof.
FIG. 8 is a second perspective view of the cigarette holder shown in the closed position in full lines; and,
FIG. 9 is a third perspective view of the cigarette holder in full lines shown with environment.
The broken lines showing in FIG. 9 are for the purpose of illustrating the environment of the article only and form no part of the claimed design.

(56) **References Cited**

U.S. PATENT DOCUMENTS

D26,579 S * 2/1897 Lehman D27/183
2,042,891 A 6/1936 Galley
D105,527 S 8/1937 Holder
2,145,910 A 2/1939 Alpen
2,207,197 A 7/1940 Havey
D370,300 S * 5/1996 Gottvald D27/172
D399,025 S * 9/1998 Whitlock D27/134
D400,298 S * 10/1998 Vignerot D27/183
D452,750 S * 1/2002 Habibi D27/138
6,341,609 B1 1/2002 Morris
D455,225 S * 4/2002 Whitlock D27/133
D468,857 S * 1/2003 Foote D27/104

1 Claim, 6 Drawing Sheets



(56)

References Cited

U.S. PATENT DOCUMENTS

D780,533 S * 3/2017 Seiders D7/608
2009/0038627 A1 2/2009 Shitrit

* cited by examiner

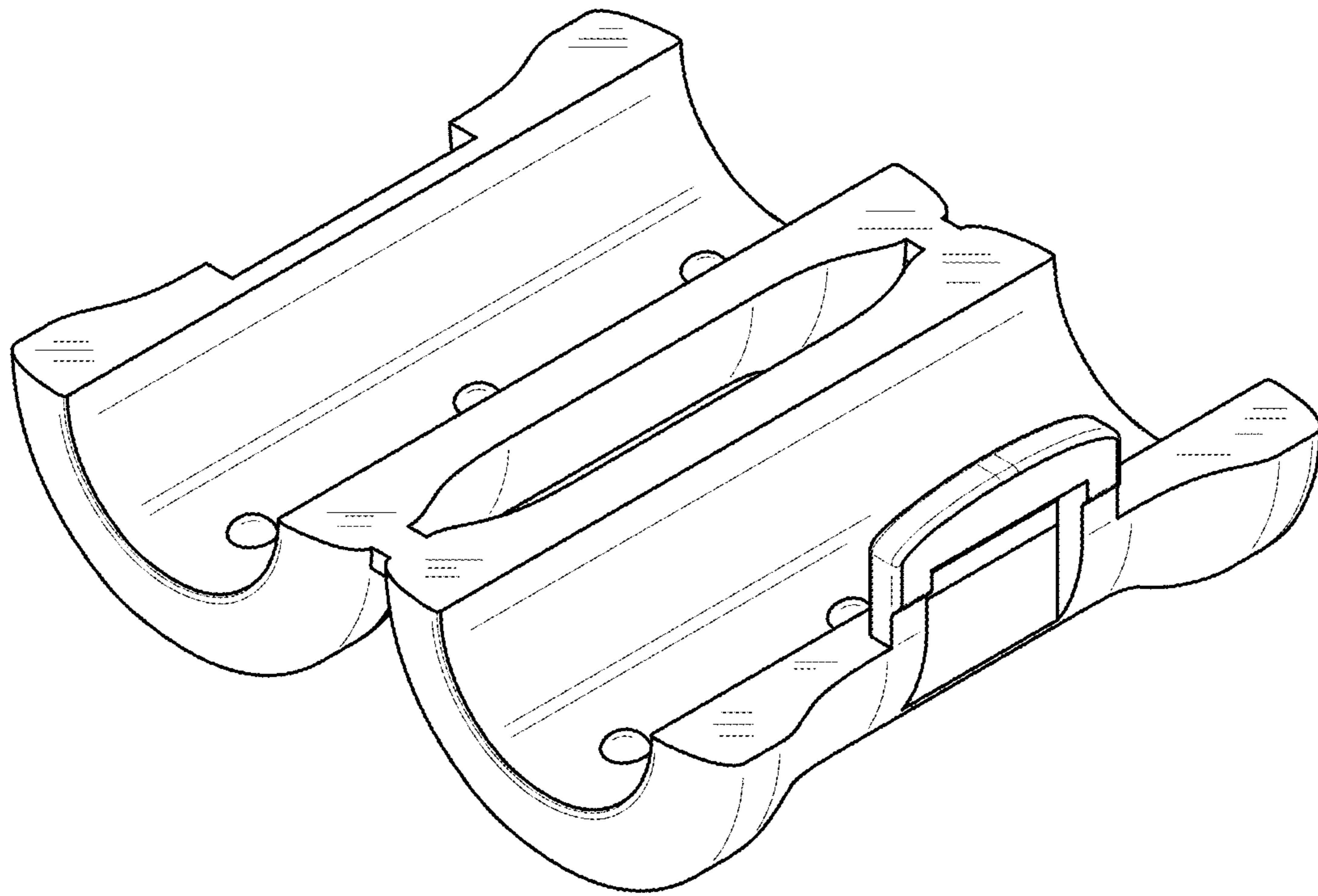


FIG. 1

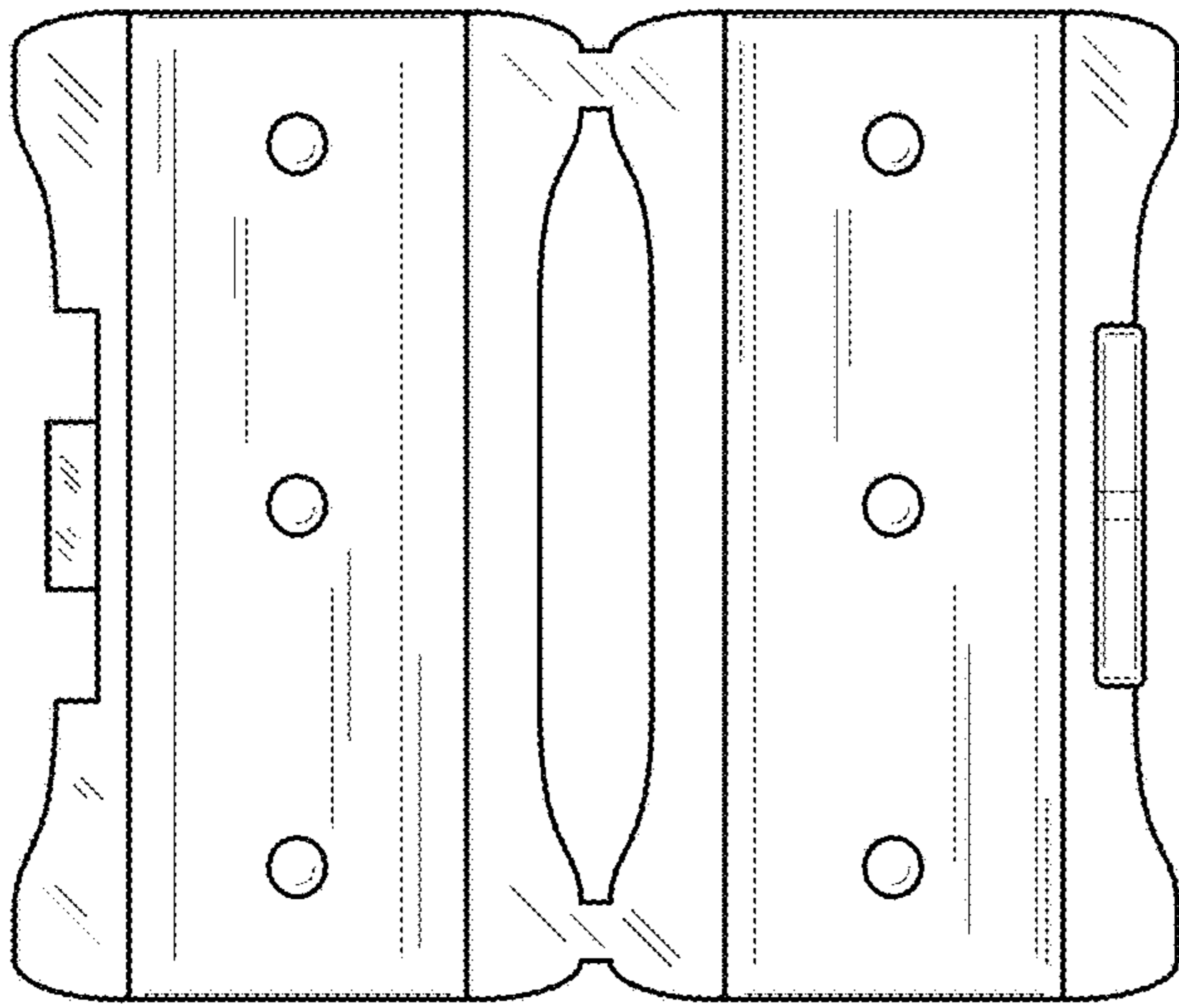


FIG. 2

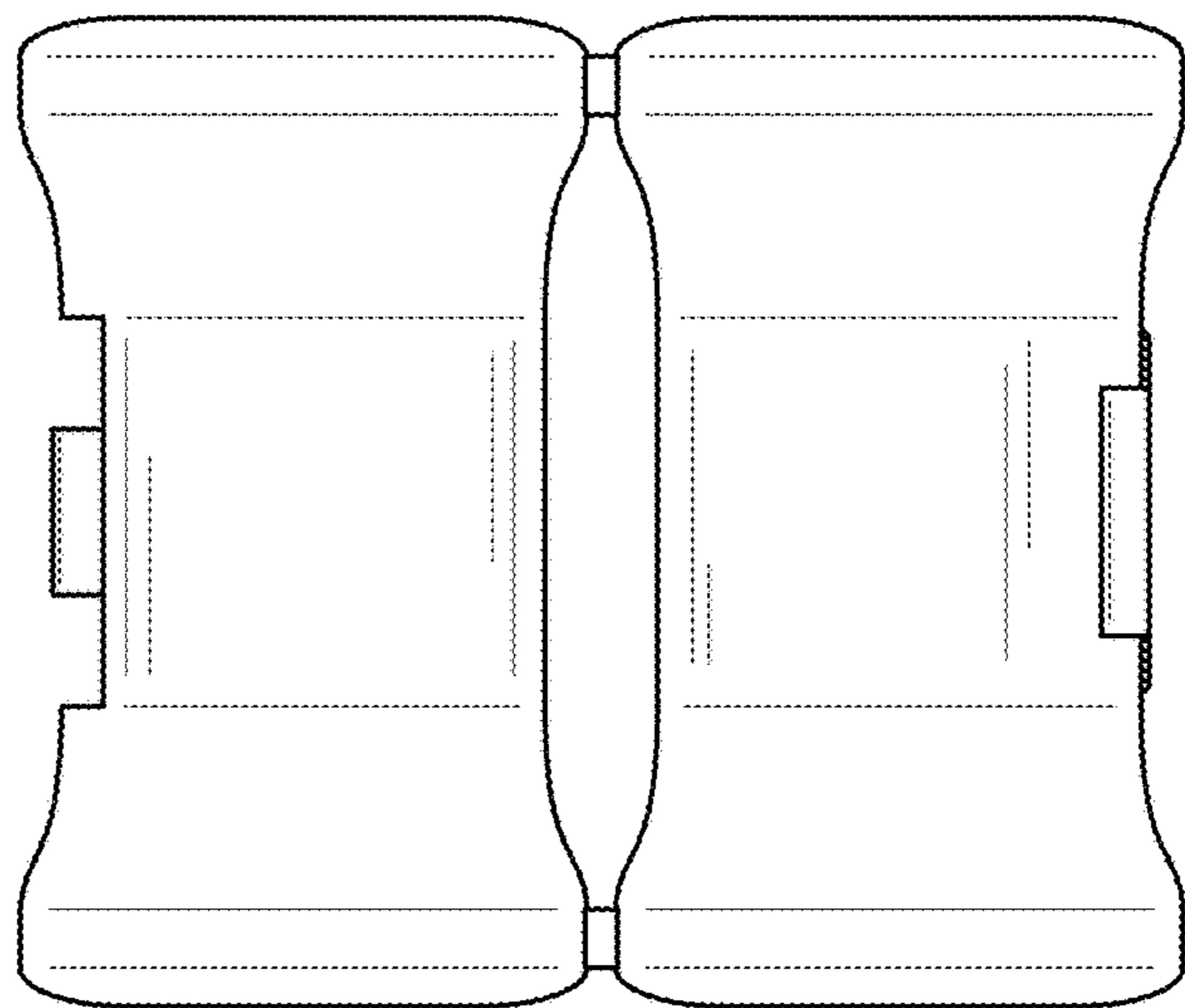


FIG. 3

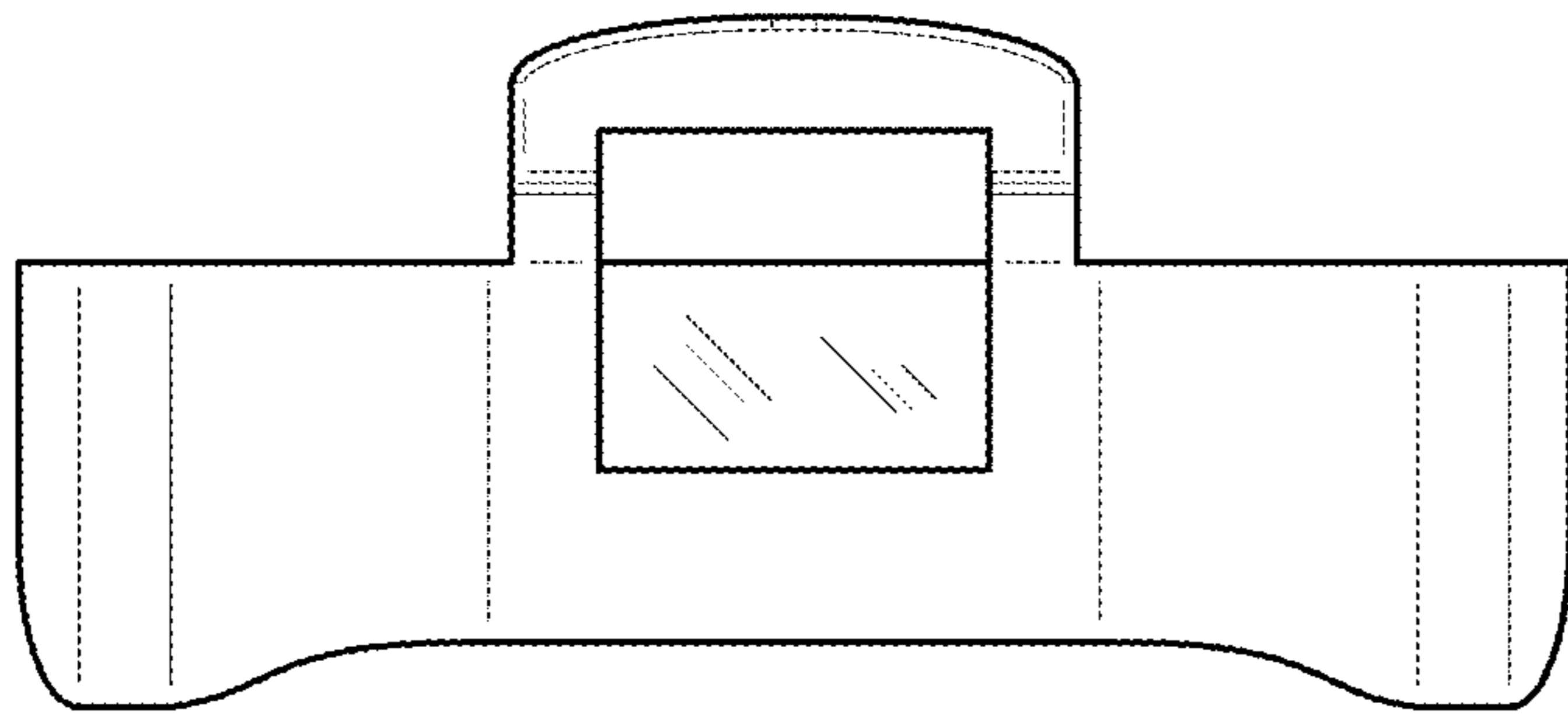


FIG. 4

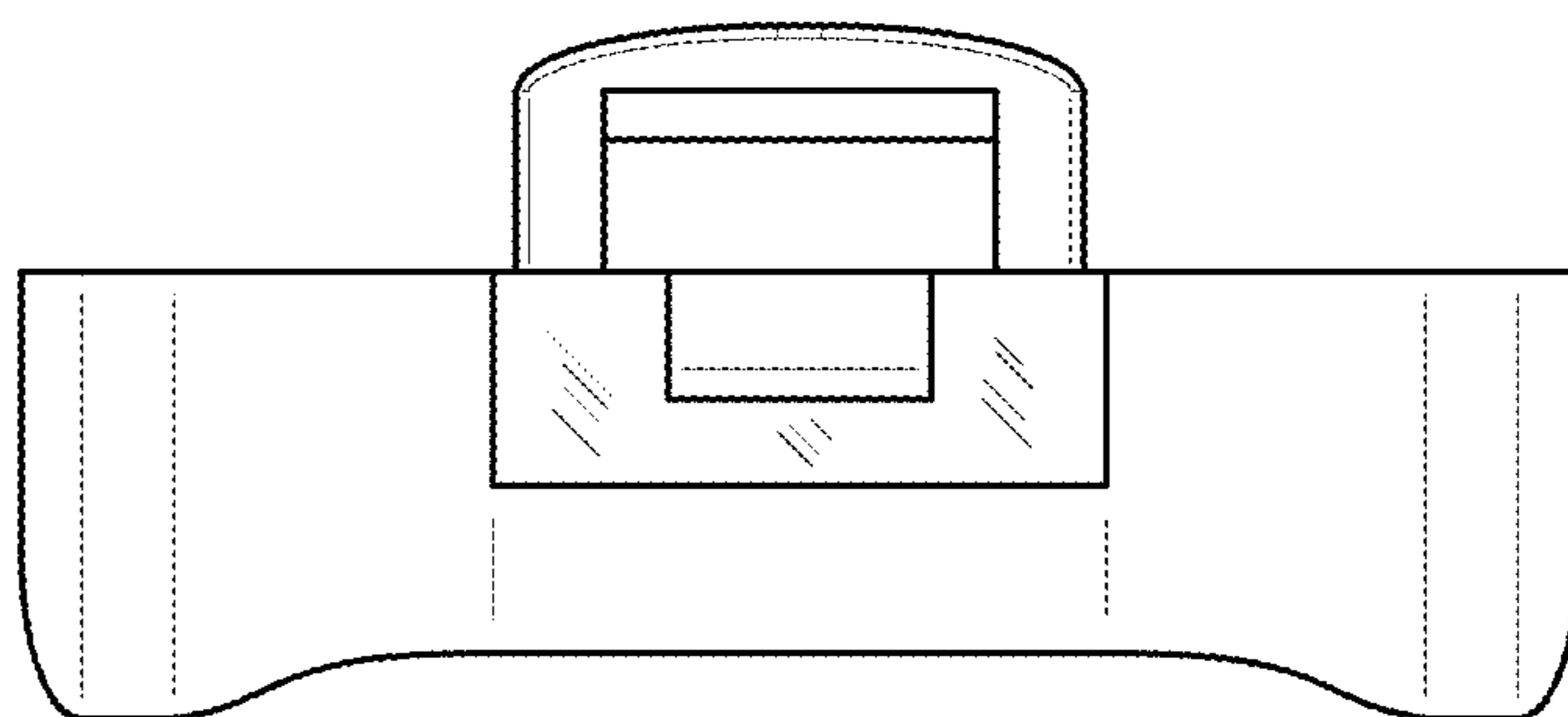


FIG. 5

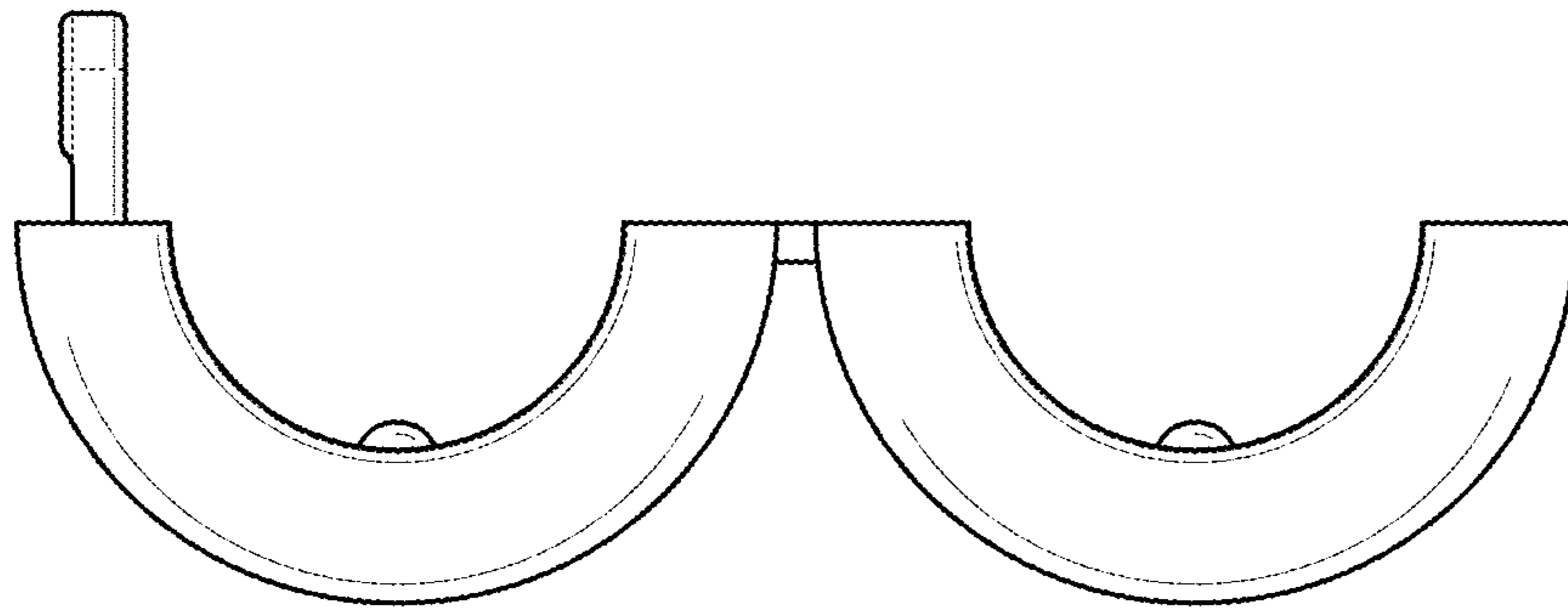


FIG. 6

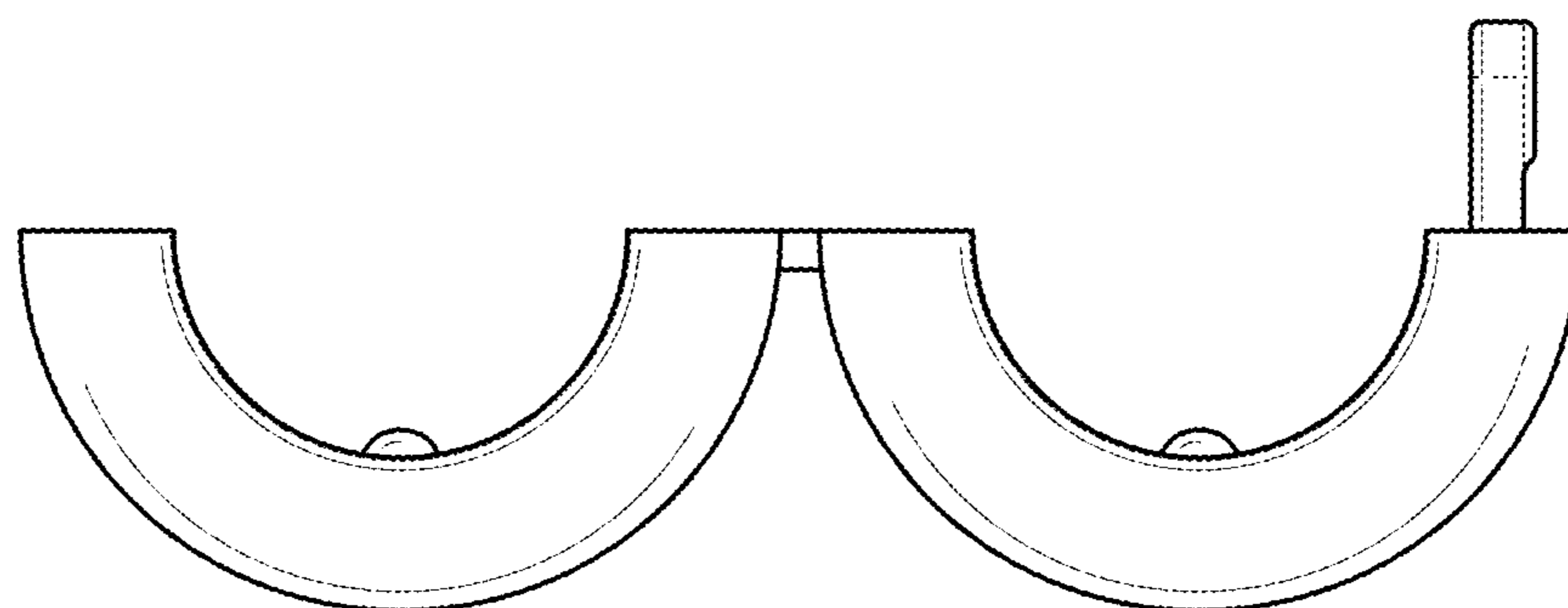


FIG. 7

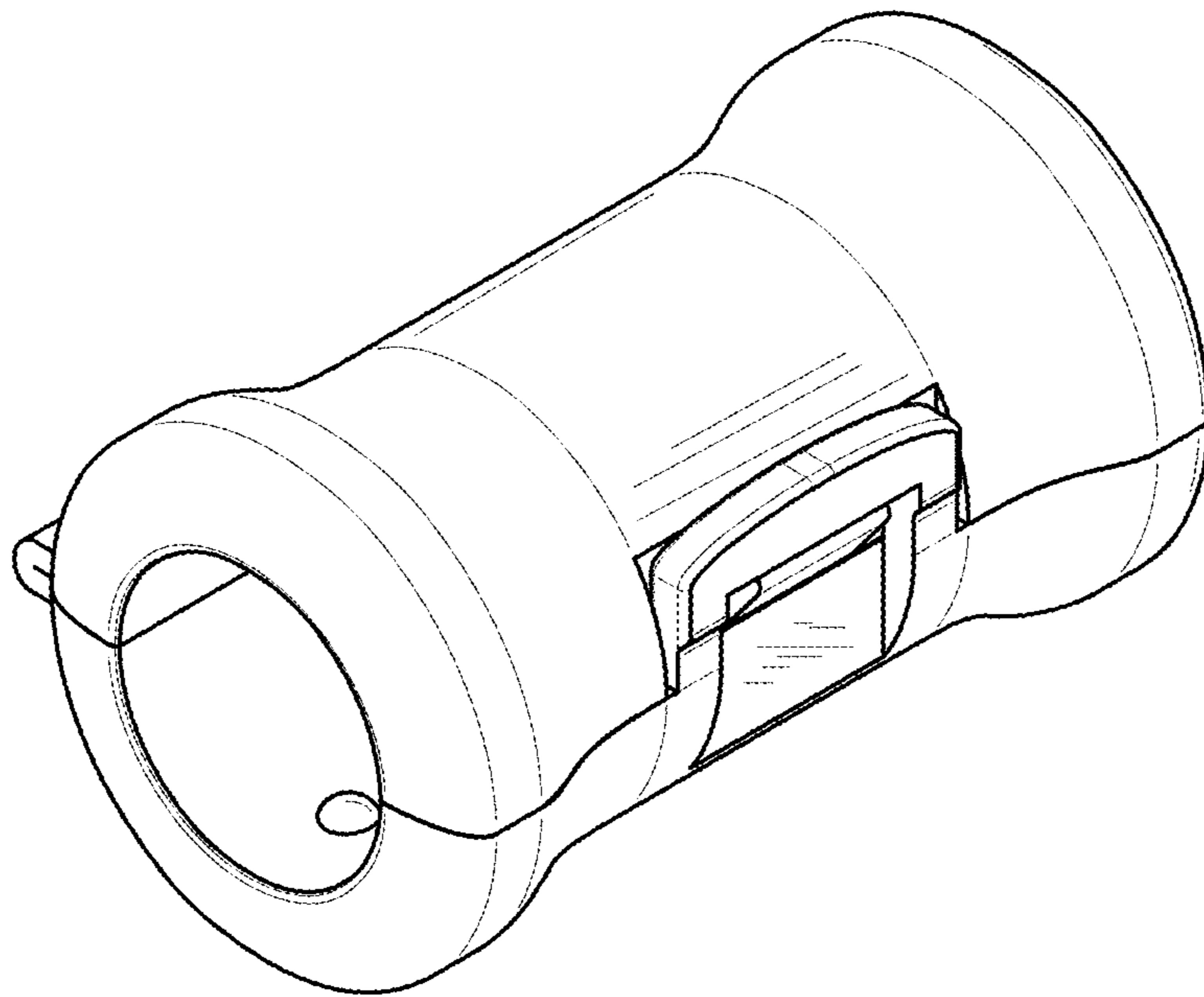


FIG. 8

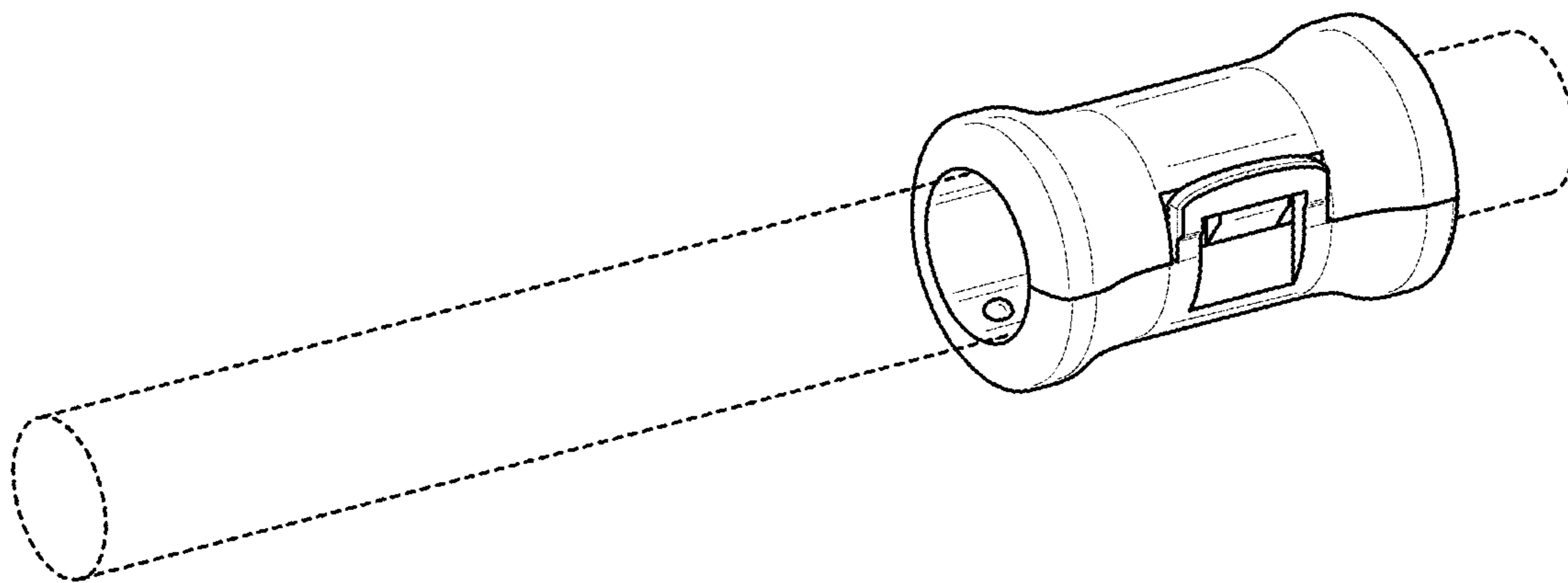


FIG. 9