



US00D790127S

(12) **United States Design Patent** (10) **Patent No.:** **US D790,127 S**
Verleur (45) **Date of Patent:** **** *Jun. 20, 2017**

(54) **HOLDER FOR VAPORIZERS**

(71) Applicant: **VMR Products, LLC**, Miami, FL (US)

(72) Inventor: **Jan Andries Verleur**, Miami Beach, FL (US)

(73) Assignee: **VMR PRODUCTS, LLC**, Miami, FL (US)

(*) Notice: This patent is subject to a terminal disclaimer.

(**) Term: **14 Years**

(21) Appl. No.: **29/459,315**

(22) Filed: **Jun. 28, 2013**

(51) **LOC (10) Cl.** **27-06**

(52) **U.S. Cl.**
USPC **D27/183**; D27/193; D8/356; D8/396; D6/552

(58) **Field of Classification Search**

USPC D27/102-105, 108-111, 123-129, D27/133-134, 137, 138, 141, 144, 152, D27/153, 157, 160, 172-194; D9/420, D9/423, 456, 504, 529, 545, 686, 688, D9/524, 737, 741, 746, 756, 758; D13/108; 206/242, 249, 250, 256, 259, 206/261, 264, 265, 267, 268; D3/206, D3/273, 294, 319; 131/270-273, 131/329-330, 347; D7/513, 541; D8/356, 357, 380, 383, 396; D6/552
CPC .. A24F 13/14; A24F 9/16; A24F 15/00; A24F 15/12; A24F 15/14; A24F 15/18; A24F 15/005; A24F 15/20; A24F 23/00; A24F 23/04; A24F 15/02; A24F 15/08; B60N 3/12

See application file for complete search history.

(56) **References Cited**

U.S. PATENT DOCUMENTS

565,710	A *	8/1896	Tollner	206/214
1,356,638	A *	10/1920	Leyden	131/239
D57,276	S *	3/1921	Schell	D27/134
2,172,161	A *	9/1939	Du Prey	131/240.1
D162,130	S *	2/1951	Cross	D27/138
D166,805	S *	5/1952	Donaldson	D27/127
D176,362	S *	12/1955	Littler	D27/128
D190,429	S *	5/1961	Hoagland	D6/552
2,991,789	A *	7/1961	Smith et al.	131/257
3,285,254	A *	11/1966	Danielak	131/235.1
3,564,668	A *	2/1971	Kirk	281/30
3,876,076	A *	4/1975	Hazelhurst	211/4
D247,085	S *	1/1978	Stoddard	D6/328
4,182,455	A *	1/1980	Zurawin	211/85.18
4,241,742	A *	12/1980	Hilding	131/235.1
D272,785	S *	2/1984	Rumbaugh	D6/552
D272,787	S *	2/1984	Rumbaugh	D6/552
D278,749	S *	5/1985	Martinovics et al.	D27/134
D279,721	S *	7/1985	Martinovics et al.	D27/134
D293,469	S *	12/1987	Greenblatt	D24/229

(Continued)

Primary Examiner — Susan Bennett Hattan

Assistant Examiner — Janice Hallmark

(74) *Attorney, Agent, or Firm* — Feldman Gale, P.A.

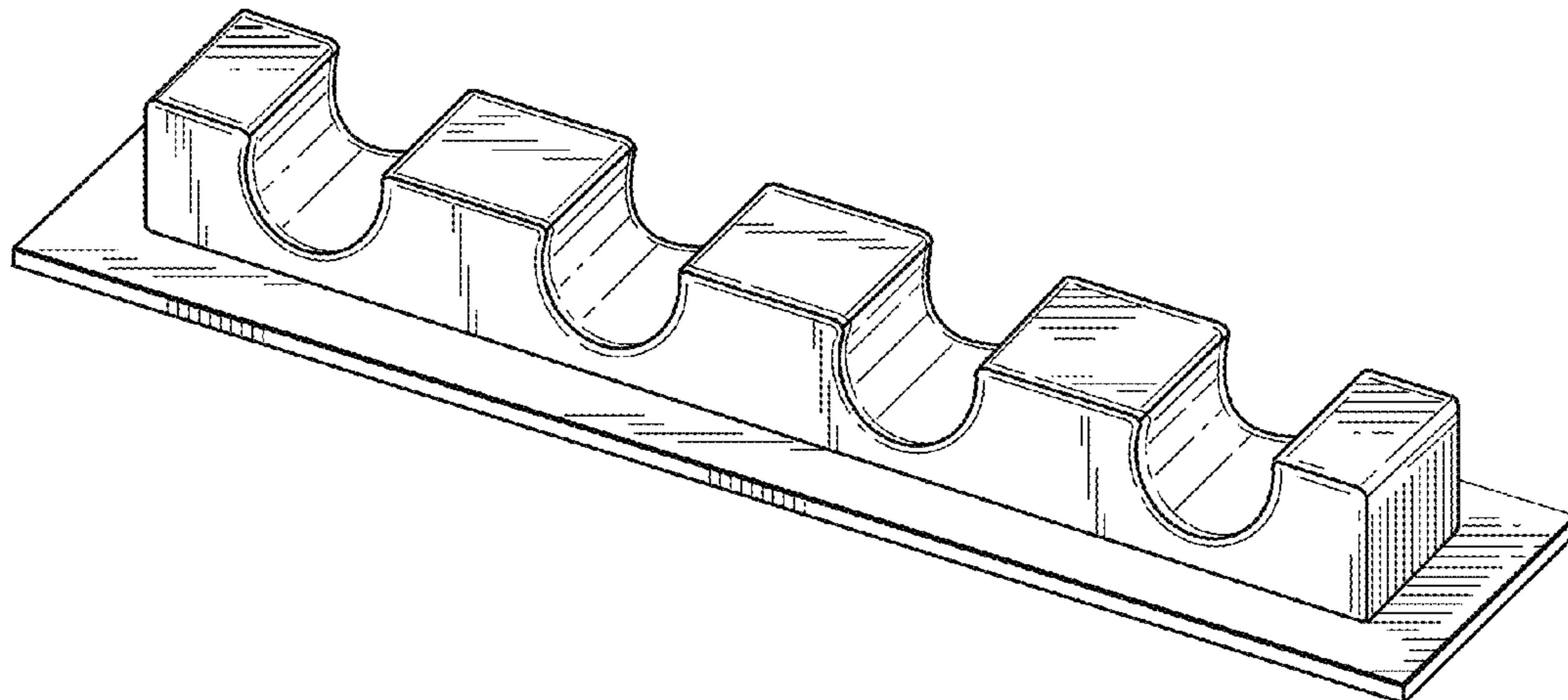
(57) **CLAIM**

The ornamental design for a holder for vaporizers, as shown and described.

DESCRIPTION

FIG. 1 is a top perspective view of a holder for vaporizers according to the present invention; FIG. 2 is a front view of the holder for vaporizers of FIG. 1; FIG. 3 is a top view of the holder for vaporizers of FIG. 1; FIG. 4 is a side view of the holder for vaporizers of FIG. 1, the opposing side view illustrating the same; and, FIG. 5 is a bottom view of the holder for vaporizers of FIG. 1.

1 Claim, 1 Drawing Sheet



(56)

References Cited

U.S. PATENT DOCUMENTS

D338,795	S	*	8/1993	Huang et al.	D6/552
5,487,475	A	*	1/1996	Knee	211/70.8
D427,048	S	*	6/2000	Potter et al.	D8/356
6,148,827	A	*	11/2000	Hollenstein	131/241
D457,369	S	*	5/2002	Fiscus et al.	D6/552
6,415,932	B1	*	7/2002	Fiscus et al.	211/64
D480,306	S	*	10/2003	Gratz	D9/456
D485,161	S	*	1/2004	Hutchinson	D8/383
D488,054	S	*	4/2004	Myers	D8/356
D493,056	S	*	7/2004	Shornak	D6/552
D537,622	S	*	3/2007	Ternovits	D3/206
H2203	H	*	10/2007	Borchardt et al.	D8/396
D587,051	S	*	2/2009	Vining	D6/552
D609,516	S	*	2/2010	Vining	D6/552
7,712,709	B2	*	5/2010	Winchester	248/89
D635,447	S	*	4/2011	Henry	D8/356
D643,658	S	*	8/2011	Vining	D6/552
D677,426	S	*	3/2013	Henry	D27/136
D728,349	S	*	5/2015	Lake	D8/356
2005/0189453	A1	*	9/2005	DeGuevara	248/68.1
2009/0218451	A1	*	9/2009	Lundborg	248/56
2010/0132979	A1	*	6/2010	Chen	174/135

* cited by examiner

