



US00D790122S

(12) **United States Design Patent** (10) **Patent No.:** **US D790,122 S**  
**Hawes et al.** (45) **Date of Patent:** **\*\* Jun. 20, 2017**

(54) **ELECTRONIC VAPING DEVICE**

(71) Applicants: **Eric Hawes**, Richmond, VA (US); **Traci Martin**, Richmond, VA (US); **Melissa Burroughs**, Richmond, VA (US); **Berina Yerkic-Husejnovic**, Richmond, VA (US); **Raymond Lau**, Richmond, VA (US); **Christopher S. Tucker**, Midlothian, VA (US); **Anthony Dibitonto**, Richmond, VA (US); **Marc Sauriol**, Richmond, VA (US); **George Stafford**, Richmond, VA (US); **Jamie Nicholson**, Richmond, VA (US); **Mark Breneman**, Richmond, VA (US); **Alistair Bramley**, Richmond, VA (US)

(72) Inventors: **Eric Hawes**, Richmond, VA (US); **Traci Martin**, Richmond, VA (US); **Melissa Burroughs**, Richmond, VA (US); **Berina Yerkic-Husejnovic**, Richmond, VA (US); **Raymond Lau**, Richmond, VA (US); **Christopher S. Tucker**, Midlothian, VA (US); **Anthony Dibitonto**, Richmond, VA (US); **Marc Sauriol**, Richmond, VA (US); **George Stafford**, Richmond, VA (US); **Jamie Nicholson**, Richmond, VA (US); **Mark Breneman**, Richmond, VA (US); **Alistair Bramley**, Richmond, VA (US)

(73) Assignee: **Altria Client Services LLC**, Richmond, VA (US)

(\*\*) Term: **15 Years**

(21) Appl. No.: **29/545,534**

(22) Filed: **Nov. 13, 2015**

(51) **LOC (10) Cl.** ..... **27-01**

(52) **U.S. Cl.**  
USPC ..... **D27/101**

(58) **Field of Classification Search**  
CPC ..... A24F 47/00; A24F 47/002; A24B 15/243; A24B 15/16; A24B 15/167; A61M 11/042;

(Continued)

(56) **References Cited**

U.S. PATENT DOCUMENTS

D142,842 S 11/1945 Daze  
D212,753 S 11/1968 Tughan

(Continued)

FOREIGN PATENT DOCUMENTS

CN 202890464 U 4/2013  
WO WO-2013089358 A1 6/2013

OTHER PUBLICATIONS

U.S. Appl. No. 29/503,697, filed Sep. 29, 2014.

(Continued)

*Primary Examiner* — Robert M Spear  
*Assistant Examiner* — Marissa J Cash  
(74) *Attorney, Agent, or Firm* — Harness, Dickey & Pierce, P.L.C.

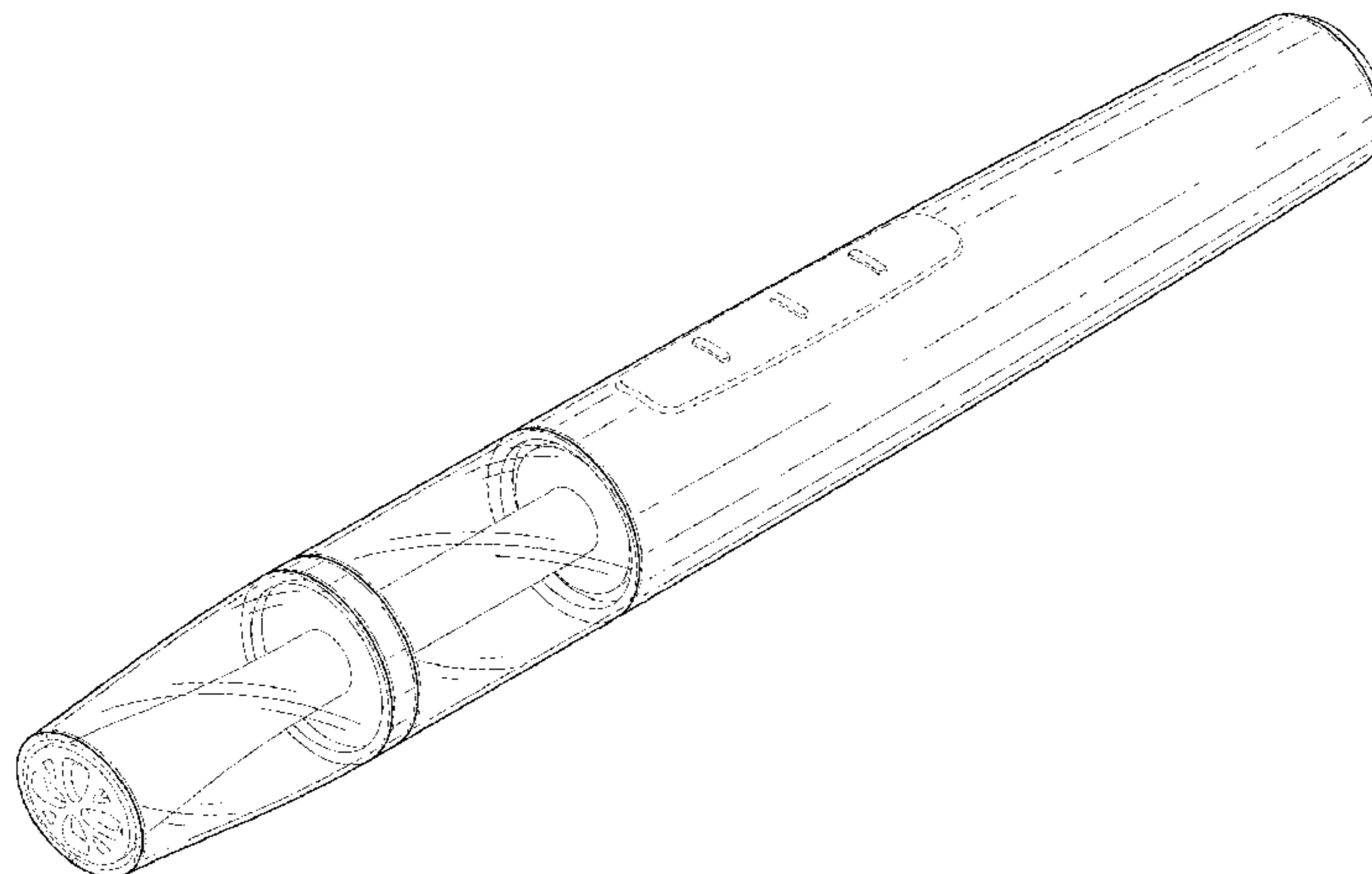
(57) **CLAIM**

The ornamental design for an electronic vaping device, as shown and described.

**DESCRIPTION**

FIG. 1 is a perspective view of the electronic vaping device; FIG. 2 is another perspective view of the electronic vaping device; FIG. 3 is a top view of the electronic vaping device; FIG. 4 is a bottom view of the electronic vaping device; FIG. 5 is a first side view of the electronic vaping device; FIG. 6 is an opposite side view of the first side view of the electronic vaping device; FIG. 7 is a front view of the electronic vaping device; and, FIG. 8 is a rear view of the electronic vaping device. In the drawings, the broken lines depict environmental subject matter only and form no part of the claimed design.

**1 Claim, 5 Drawing Sheets**



# US D790,122 S

(58) **Field of Classification Search**  
 CPC ..... A61M 15/06  
 See application file for complete search history.

(56) **References Cited**  
 U.S. PATENT DOCUMENTS

3,587,573 A	6/1971	Flack	D724,782 S *	3/2015	Wu	D27/101
3,720,235 A	3/1973	Schrock	D725,821 S	3/2015	Levin et al.	
D229,725 S	12/1973	Berger	D727,564 S	4/2015	LaForge et al.	
D229,788 S	1/1974	Berger	D727,565 S	4/2015	LaForge et al.	
D229,789 S	1/1974	Berger	D728,154 S	4/2015	Lavanchy et al.	
D229,790 S	1/1974	Berger	D728,155 S *	4/2015	Liu	D27/101
D254,930 S	5/1980	Mandon et al.	D729,439 S	5/2015	Scatterday	
D254,931 S	5/1980	Mandon et al.	D729,441 S *	5/2015	Hua	D27/101
D267,121 S	11/1982	Min	D730,571 S	5/2015	Chen	
4,429,703 A	2/1984	Haber	9,050,427 B2	6/2015	Harris et al.	
D275,223 S	8/1984	Marxen	D738,567 S	9/2015	Tucker et al.	
4,945,929 A	8/1990	Egilmex	D739,598 S	9/2015	Lavanchy et al.	
5,042,510 A	8/1991	Curtiss et al.	D742,021 S	10/2015	Labuschagne et al.	
5,095,921 A	3/1992	Losee et al.	D743,097 S	11/2015	Tucker et al.	
5,179,966 A	1/1993	Losee et al.	D743,622 S	11/2015	Alima	
5,269,327 A	12/1993	Counts et al.	D747,547 S	1/2016	Liu	
D347,490 S	5/1994	Gee et al.	D748,323 S	1/2016	Tucker et al.	
D375,159 S	10/1996	Johansson	D749,509 S	2/2016	Blau	
D384,283 S	9/1997	Davies et al.	D750,834 S	3/2016	Wei	
D404,459 S	1/1999	Furner et al.	D752,278 S *	3/2016	Verleur	D13/103
D404,629 S	1/1999	Cooper	D754,919 S	4/2016	Alarcon et al.	
D405,220 S	2/1999	Dal Monte	D756,564 S	5/2016	Yerkic-Husejnovic et al.	
6,061,950 A	5/2000	Carey et al.	D760,948 S *	7/2016	Eksouzian	D27/101
6,231,336 B1	5/2001	Chen	D761,998 S *	7/2016	Pinder	D27/101
6,357,448 B1	3/2002	Sinclair, Jr.	D764,703 S *	8/2016	Liu	D27/101
6,649,268 B1	11/2003	Komine et al.	D765,308 S *	8/2016	Liu	D27/101
D484,963 S	1/2004	Jones et al.	D765,907 S *	9/2016	Liu	D27/101
D489,679 S	5/2004	Wong	D774,247 S *	12/2016	Chen	D27/101
D497,423 S	10/2004	Muir et al.	D776,337 S *	1/2017	Levin	D27/101
D508,199 S	8/2005	Winig et al.	2012/0053512 A1	3/2012	Muse	
D534,682 S	1/2007	Malhi	2013/0068239 A1	3/2013	Youn	
D548,086 S	8/2007	Conway et al.	2013/0087160 A1	4/2013	Gherghe	
D550,378 S	9/2007	Adams et al.	2013/0140200 A1	6/2013	Scatterday	
D550,829 S	9/2007	Buthier et al.	2013/0167853 A1 *	7/2013	Liu	A24F 47/008 131/329
D555,085 S	11/2007	Kim	2013/0167854 A1	7/2013	Shin	
D591,415 S	4/2009	Wu	2013/0192615 A1	8/2013	Tucker et al.	
D633,034 S	2/2011	Heine et al.	2013/0192623 A1	8/2013	Tucker et al.	
D641,464 S	7/2011	De Haan et al.	2013/0213419 A1	8/2013	Tucker et al.	
D644,375 S	8/2011	Zhou	2013/0228190 A1	9/2013	Weiss et al.	
8,002,897 B2	8/2011	Palfy et al.	2013/0298905 A1	11/2013	Levin et al.	
D646,431 S	10/2011	Awty et al.	2013/0312742 A1	11/2013	Monsees et al.	
D651,338 S	12/2011	Awty et al.	2013/0319440 A1	12/2013	Capuano	
D662,257 S	6/2012	Alelov	2013/0327345 A1	12/2013	Clarke	
D684,311 S	6/2013	Liu	2013/0333711 A1 *	12/2013	Liu	A24F 47/008 131/329
D685,522 S	7/2013	Potter et al.	2013/0340775 A1	12/2013	Juster et al.	
D686,717 S	7/2013	Mack	2014/0014124 A1	1/2014	Glasberg et al.	
D688,415 S	8/2013	Kim	2014/0020693 A1	1/2014	Cochand et al.	
8,499,766 B1	8/2013	Newton	2014/0034070 A1	2/2014	Schennum	
D691,765 S	10/2013	Tucker et al.	2014/0053856 A1	2/2014	Liu	
D691,766 S	10/2013	Tucker et al.	2014/0060554 A1	3/2014	Collett et al.	
D692,612 S	10/2013	Lowenthal et al.	2014/0076310 A1	3/2014	Newton	
D692,613 S	10/2013	Morreale	2014/0174458 A1	6/2014	Katz	
D694,468 S	11/2013	Chen	2014/0202477 A1	7/2014	Qi et al.	
D695,449 S	12/2013	Tucker et al.	2014/0209105 A1	7/2014	Sears et al.	
D702,478 S	4/2014	Wai	2014/0224267 A1	8/2014	Levitz et al.	
8,707,965 B2	4/2014	Newton	2014/0270727 A1	9/2014	Ampolini et al.	
8,833,364 B2	9/2014	Buchberger	2014/0283859 A1	9/2014	Minskoff et al.	
8,881,737 B2	11/2014	Collett et al.	2014/0318558 A1	10/2014	Liu	
8,888,311 B2	11/2014	Parsons	2014/0336565 A1	11/2014	Nichols	
8,897,628 B2	11/2014	Conley et al.	2014/0345632 A1	11/2014	Scatterday	
D720,499 S	12/2014	Alima	2014/0345635 A1	11/2014	Rabinowitz et al.	
8,939,943 B2	1/2015	Edwards et al.	2014/0355969 A1	12/2014	Stern	
D722,196 S	2/2015	Tucker et al.	2014/0360516 A1	12/2014	Liu	
D723,215 S *	2/2015	Chen	2015/0020827 A1	1/2015	Liu	
D723,216 S *	2/2015	Chen	2015/0020828 A1	1/2015	Liu	
8,950,395 B2	2/2015	Schennum	2015/0027470 A1	1/2015	Kane et al.	
8,955,522 B1 *	2/2015	Bowen	2015/0059784 A1	3/2015	Liu	
			2015/0114406 A1 *	4/2015	Newton	A24F 47/002 131/329
			2015/0122252 A1 *	5/2015	Frija	A24F 47/008 128/202.21
			2015/0144148 A1	5/2015	Chen	
			2015/0150307 A1	6/2015	Liu	
			2015/0181944 A1 *	7/2015	Li	A24F 47/008 131/329
D724,262 S	3/2015	Hearn et al.	2015/0196059 A1	7/2015	Liu	
D724,781 S	3/2015	Hearn et al.	2015/0208726 A1	7/2015	Liu	

(56)

**References Cited**

U.S. PATENT DOCUMENTS

2015/0245657 A1 9/2015 Memari et al.  
 2015/0282530 A1\* 10/2015 Johnson ..... A24F 47/008  
 392/387  
 2015/0296889 A1 10/2015 Liu  
 2015/0328415 A1 11/2015 Minskoff et al.  
 2015/0332379 A1 11/2015 Alarcon  
 2016/0150823 A1 6/2016 Liu  
 2016/0213062 A1\* 7/2016 Doyle ..... A24F 47/002

OTHER PUBLICATIONS

U.S. Appl. No. 29/527,153, filed May 15, 2015.  
 U.S. Appl. No. 29/527,151, filed May 15, 2015.  
 U.S. Appl. No. 29/527,149, filed May 15, 2015.  
 U.S. Appl. No. 29/545,527, filed Nov. 13, 2015.  
 U.S. Appl. No. 29/545,537, filed Nov. 13, 2015.  
 "Smokio: Smart Wireless E-cigarette," <http://www.premiumlifestyle.co.uk/products/smokio-smart-wireless-e-cigarette>.  
 About Electronic Cigarettes/Vapor Cigarettes/E-cigs, <https://www.vapinapes.com/about-vapor-cigarettes/>.  
 Supersmoke: The Latest Supersmoker Bluetooth, <http://www.supersmokerbluetooth.com/>.  
 Kosmo, <https://www.indiegogo.com/projects/kosmo-ecigarette>.

U.S. Appl. No. 29/561,106, filed Apr. 14, 2016, Not Yet Assigned.  
 U.S. Appl. No. 29/560,805, filed Apr. 11, 2016, Not Yet Assigned.  
 <<http://kelvin.en.made-in-china.com/productimage/FqhEJNdCeOVw-2f1j00KeBtCALqEjYE/China-High-Quality-Triangular-Trimark-E-Cigarette.html>>. copyright 2015, Focus Technology Co., Ltd.  
 Notice of Allowance for corresponding U.S. Appl. No. 29/531,410 dated Mar. 25, 2016.  
 Notice of Allowance for corresponding U.S. Appl. No. 29/527,151 dated Mar. 30, 2016.  
 Non-Final Office Action for corresponding U.S. Appl. No. 29/527,153 dated Mar. 28, 2016.  
 Notice of Allowance for corresponding U.S. Appl. No. 29/527,149 dated Apr. 11, 2016.  
 Notice of Allowance for corresponding U.S. Appl. No. 29/531,427 dated Apr. 5, 2016.  
 Office Action for corresponding US Office Action U.S. Appl. No. 29/545,537 dated Aug. 30, 2016.  
 Notice of Allowance for corresponding U.S. Appl. No. 29/527,151 dated May 25, 2016.  
 Notice of Allowance for corresponding U.S. Appl. No. 29/531,427 dated Jun. 2, 2016.  
 Notice of Allowance for corresponding U.S. Appl. No. 29/527,149 dated Jun. 8, 2016.  
 Notice of Allowance for corresponding U.S. Appl. No. 29/531,410 dated May 26, 2016.

\* cited by examiner

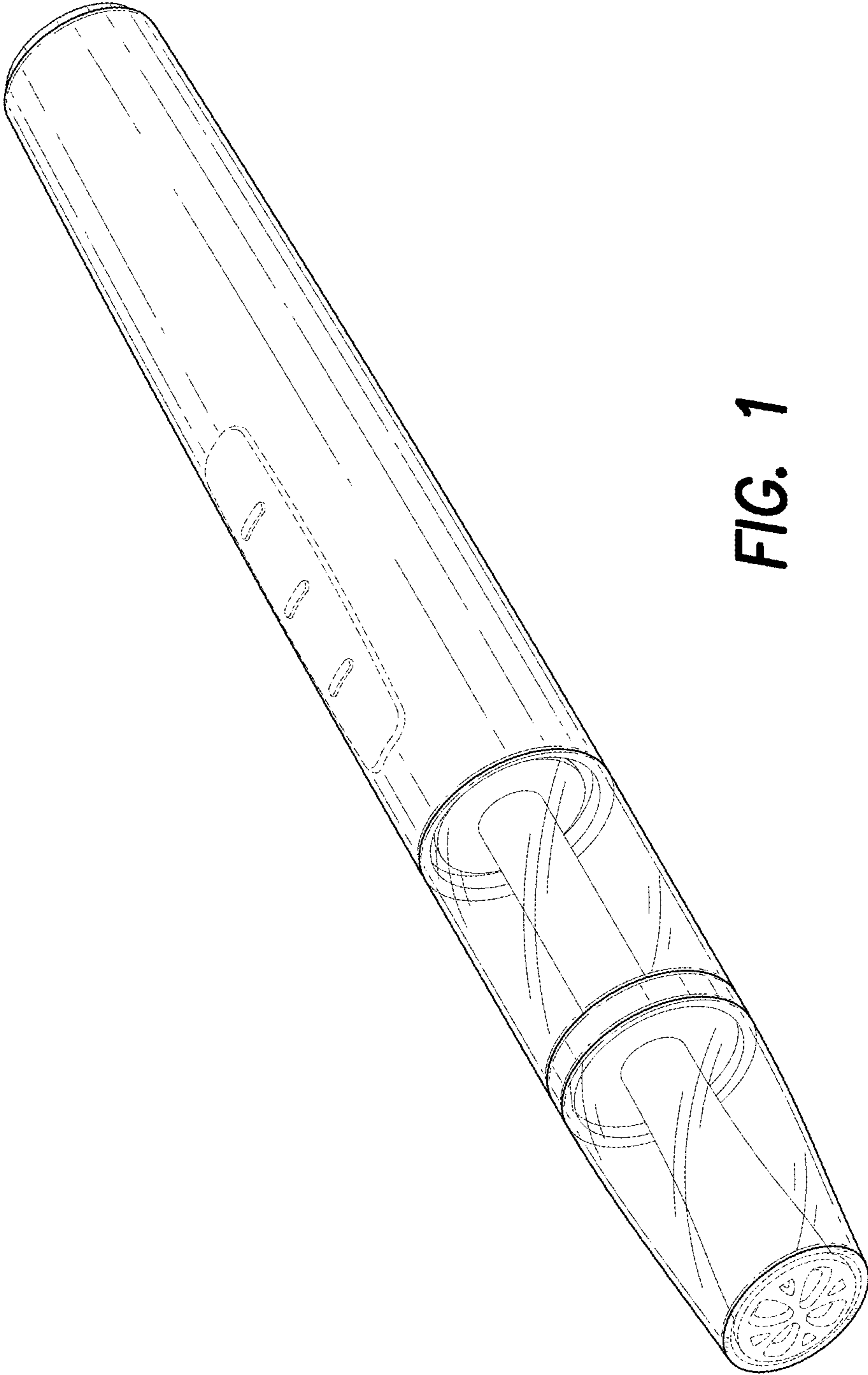
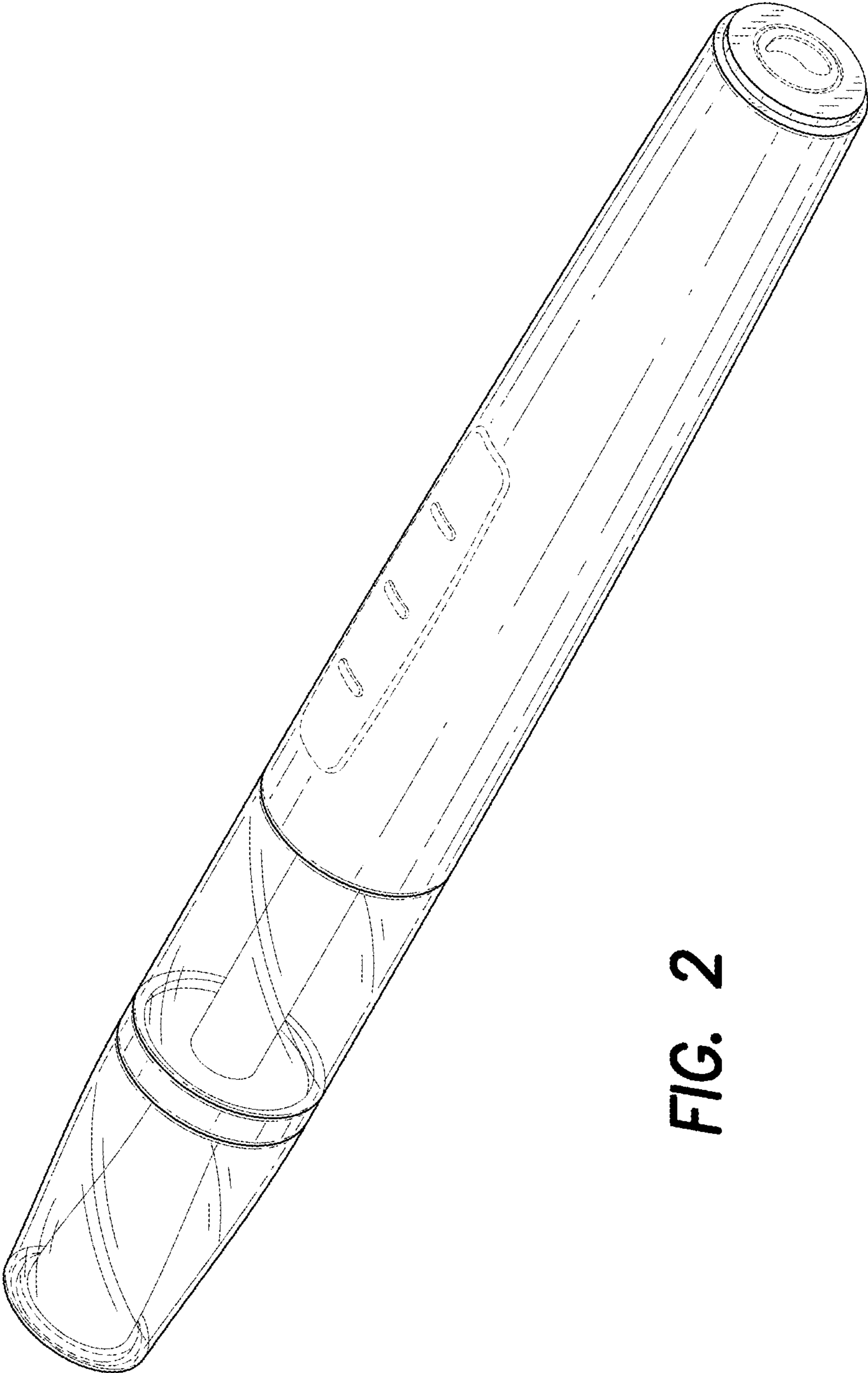
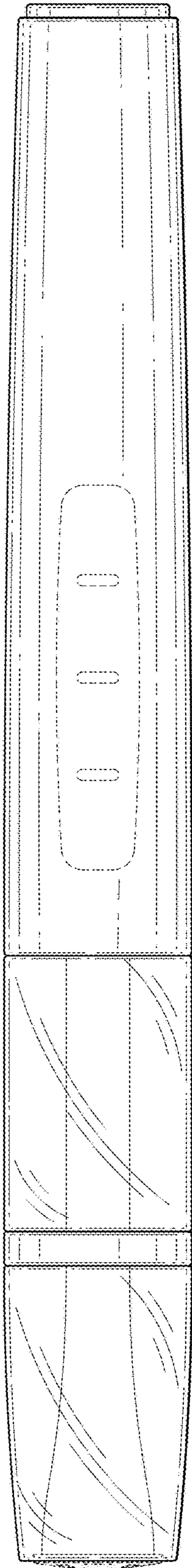


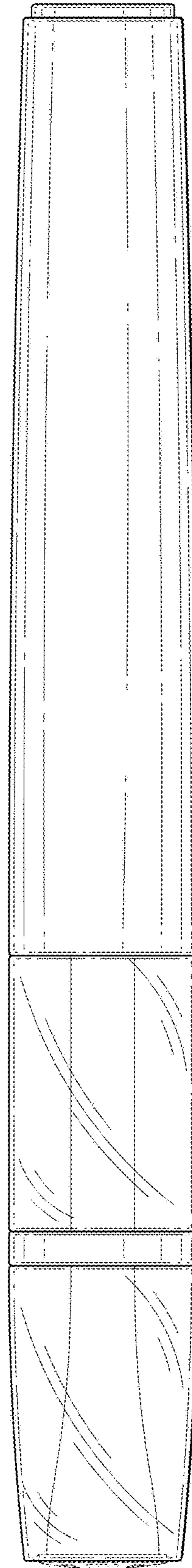
FIG. 1



**FIG. 2**



**FIG. 3**



**FIG. 4**

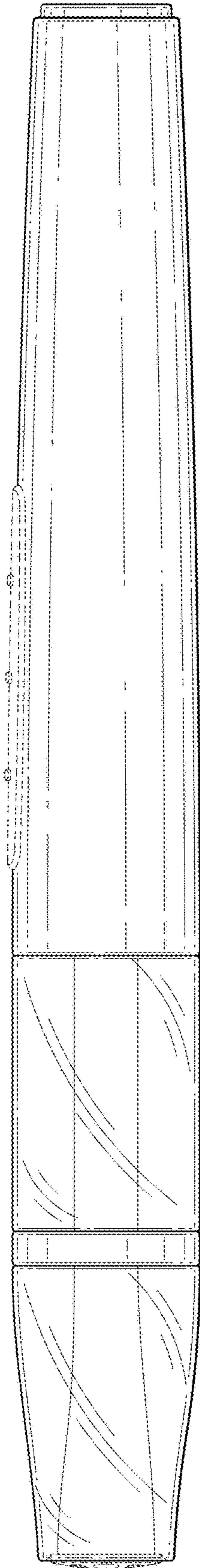


FIG. 5

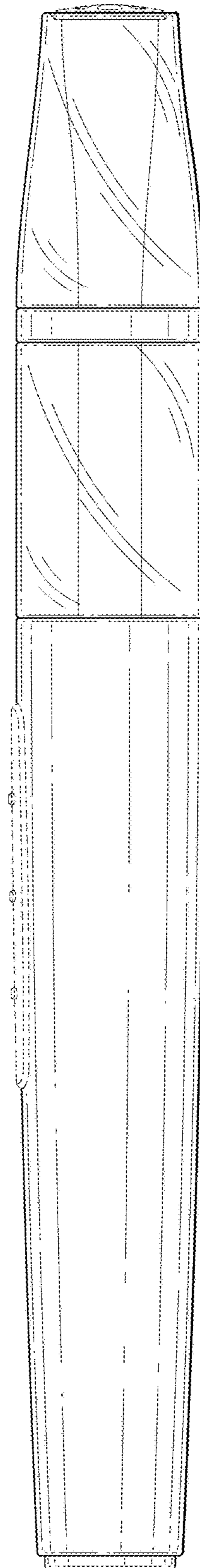
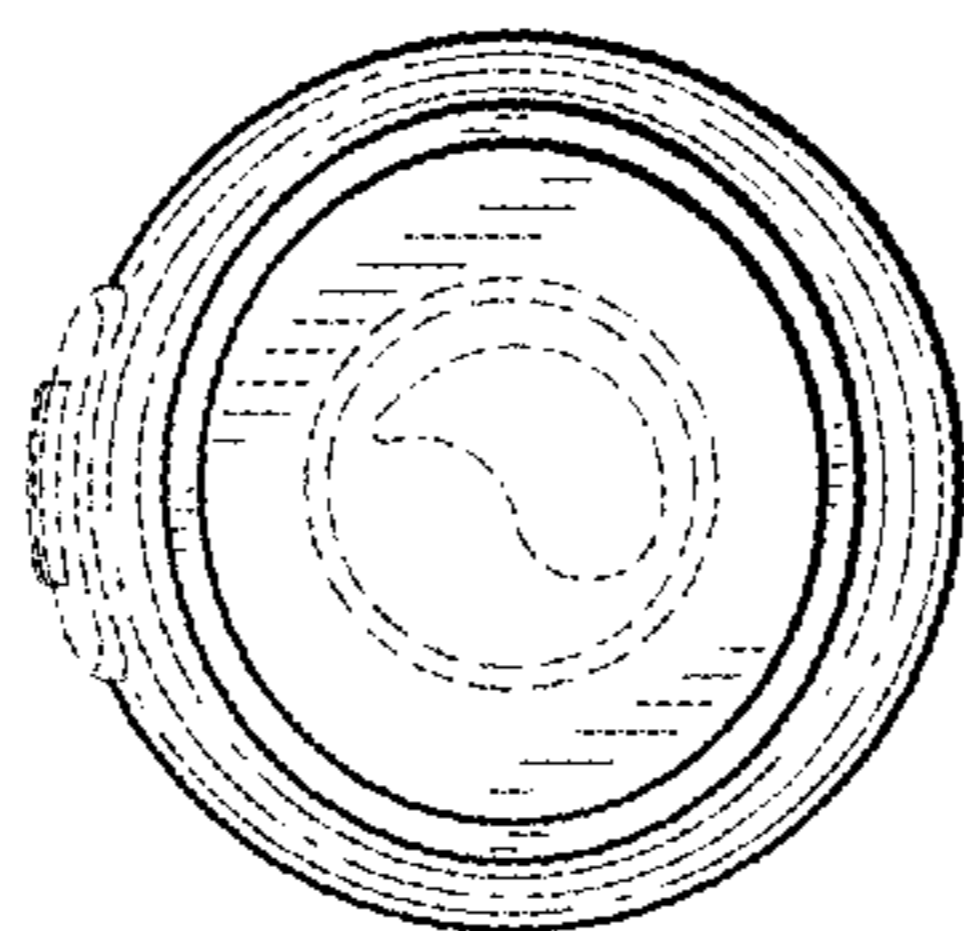
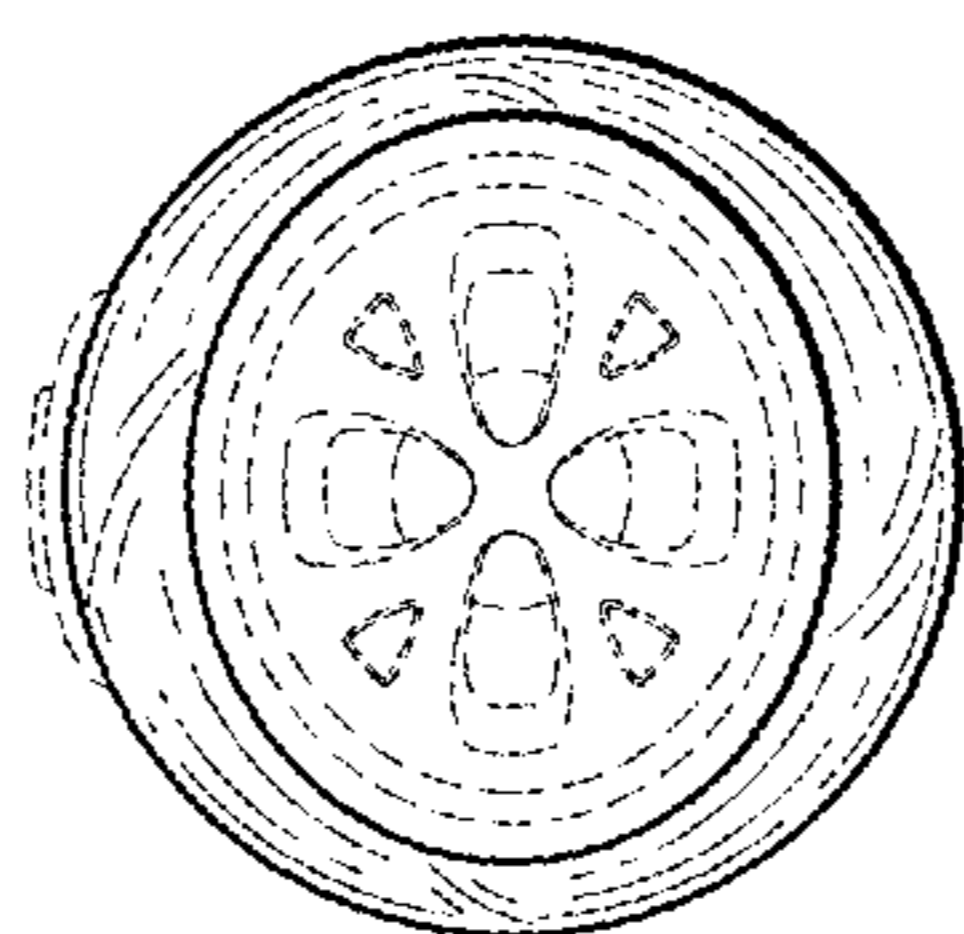


FIG. 6



**FIG. 8**



**FIG. 7**