



US00D790121S

(12) **United States Design Patent**
Sonneman

(10) **Patent No.:** **US D790,121 S**

(45) **Date of Patent:** **** Jun. 20, 2017**

(54) **PENDANT FOR A LIGHT FIXTURE**

(71) Applicant: **Robert A. Sonneman**, Mamaroneck,
NY (US)

(72) Inventor: **Robert A. Sonneman**, Mamaroneck,
NY (US)

(**) Term: **15 Years**

(21) Appl. No.: **29/588,498**

(22) Filed: **Dec. 21, 2016**

(51) **LOC (10) Cl.** **26-99**

(52) **U.S. Cl.**
USPC **D26/138; D26/128**

(58) **Field of Classification Search**
USPC D26/76, 78, 79, 80, 81, 82, 83, 85, 86,
D26/88, 90, 113, 118, 119, 120, 121, 122,
D26/128, 138, 139, 140, 141, 142
CPC F21S 2/00; F21S 4/00; F21S 4/003; F21S
4/005; F21S 4/006; F21S 4/007; F21S
4/008; F21S 6/00; F21S 8/00; F21S
8/024; F21S 8/026; F21S 8/031; F21S
8/033; F21S 8/035-8/037; F21S 8/04;
F21S 8/043; F21S 8/063
See application file for complete search history.

(56) **References Cited**

U.S. PATENT DOCUMENTS

D86,903 S * 5/1932 Appleman D26/131
D481,489 S * 10/2003 Cline D26/128

D538,950 S * 3/2007 Maxik D26/2
D577,147 S * 9/2008 Kirar D26/128
D595,893 S * 7/2009 Maxik D26/113
D666,750 S * 9/2012 Maxik D26/2
D687,986 S * 8/2013 Maxik D26/2
D729,429 S * 5/2015 Arndt D26/131
D759,284 S * 6/2016 De Bevilacqua D26/104
D774,680 S * 12/2016 Vidmar D26/84

* cited by examiner

Primary Examiner — George D Kirschbaum

Assistant Examiner — Natasha Vujcic

(74) *Attorney, Agent, or Firm* — Gottlieb, Rackman &
Reisman, P.C.

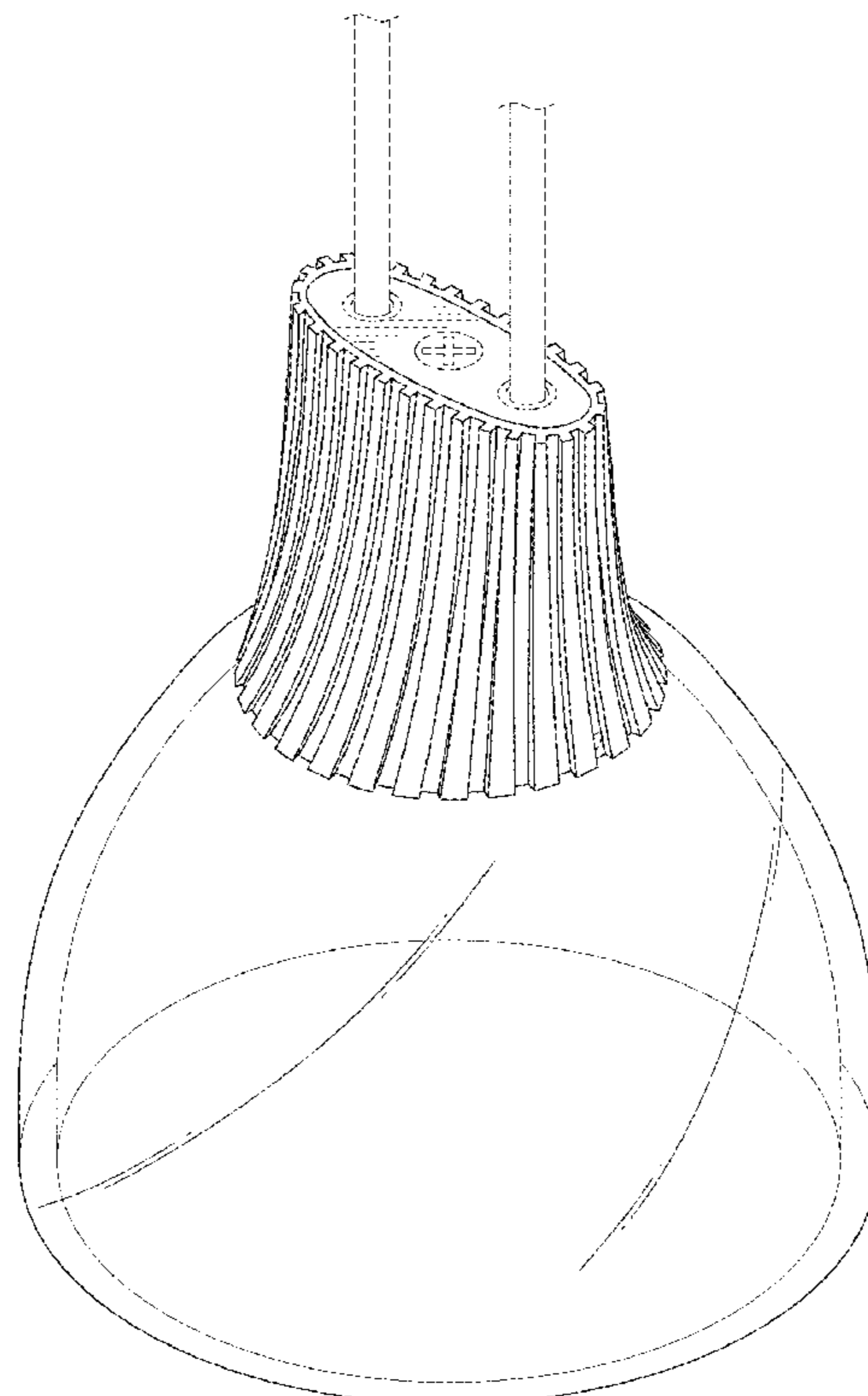
(57) **CLAIM**

The ornamental design for a pendant for a light fixture, as shown and described.

DESCRIPTION

FIG. 1 is a perspective view of the pendant for a light fixture showing my new design;
FIG. 2 is a top plan view thereof;
FIG. 3 is a bottom plan view thereof;
FIG. 4 is front elevational view thereof, the rear elevational view being a mirror image; and,
FIG. 5 is a right side elevational view thereof, the left side elevational view being a mirror image.
The broken lines shown in the drawings are included for the purpose of illustrating portions of the article that form no part of the claimed design.

1 Claim, 5 Drawing Sheets



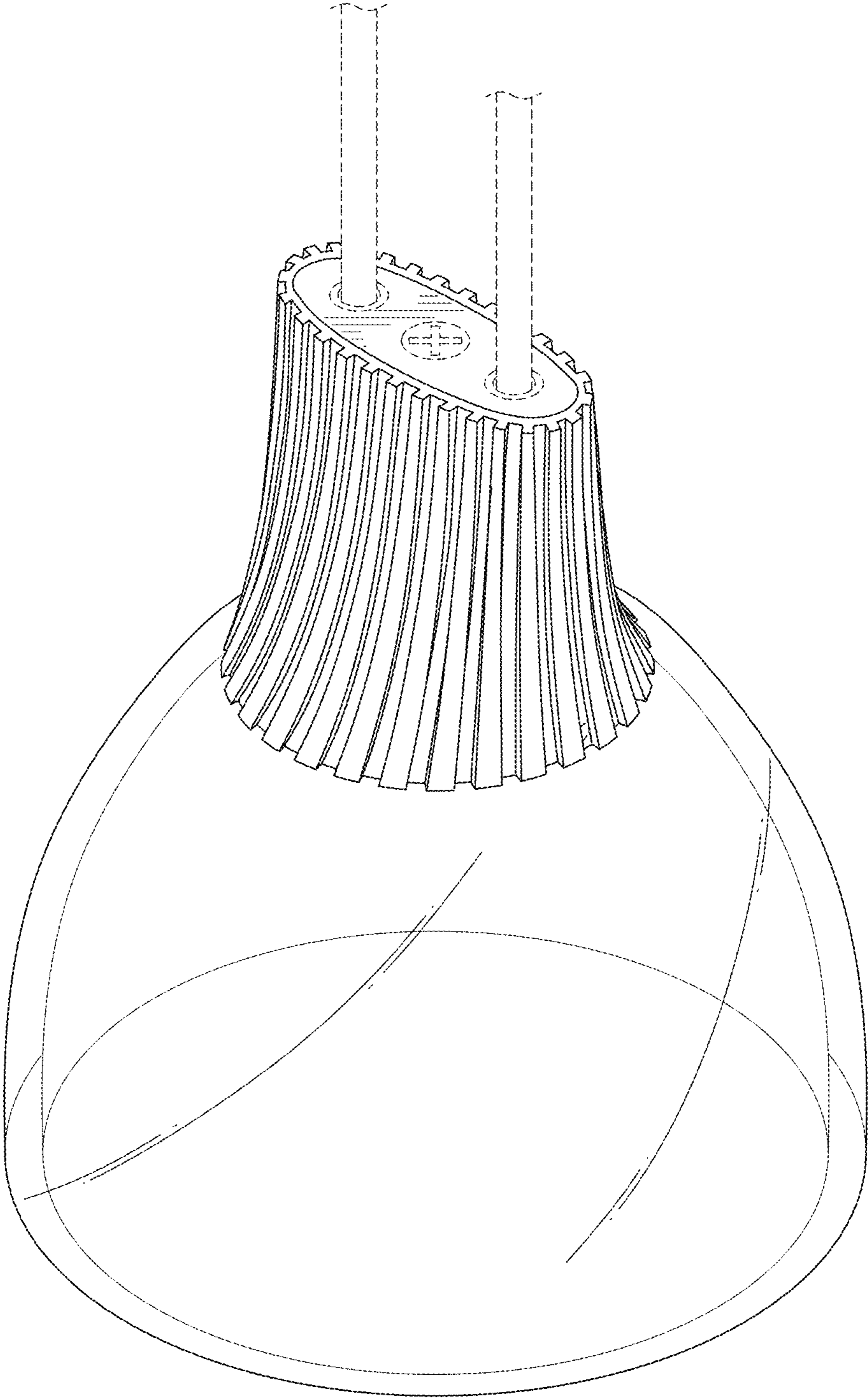


FIG. 1

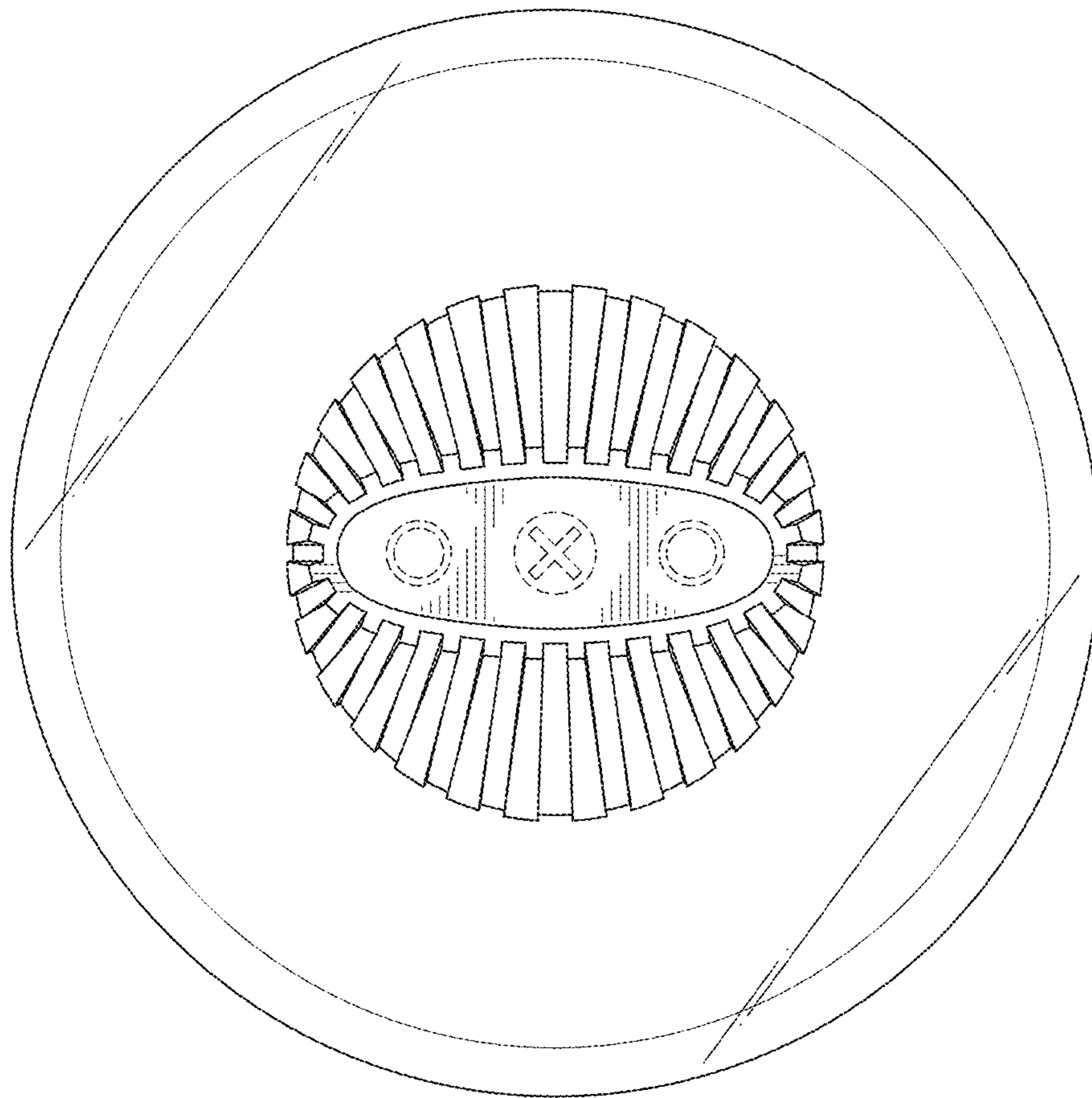


FIG. 2

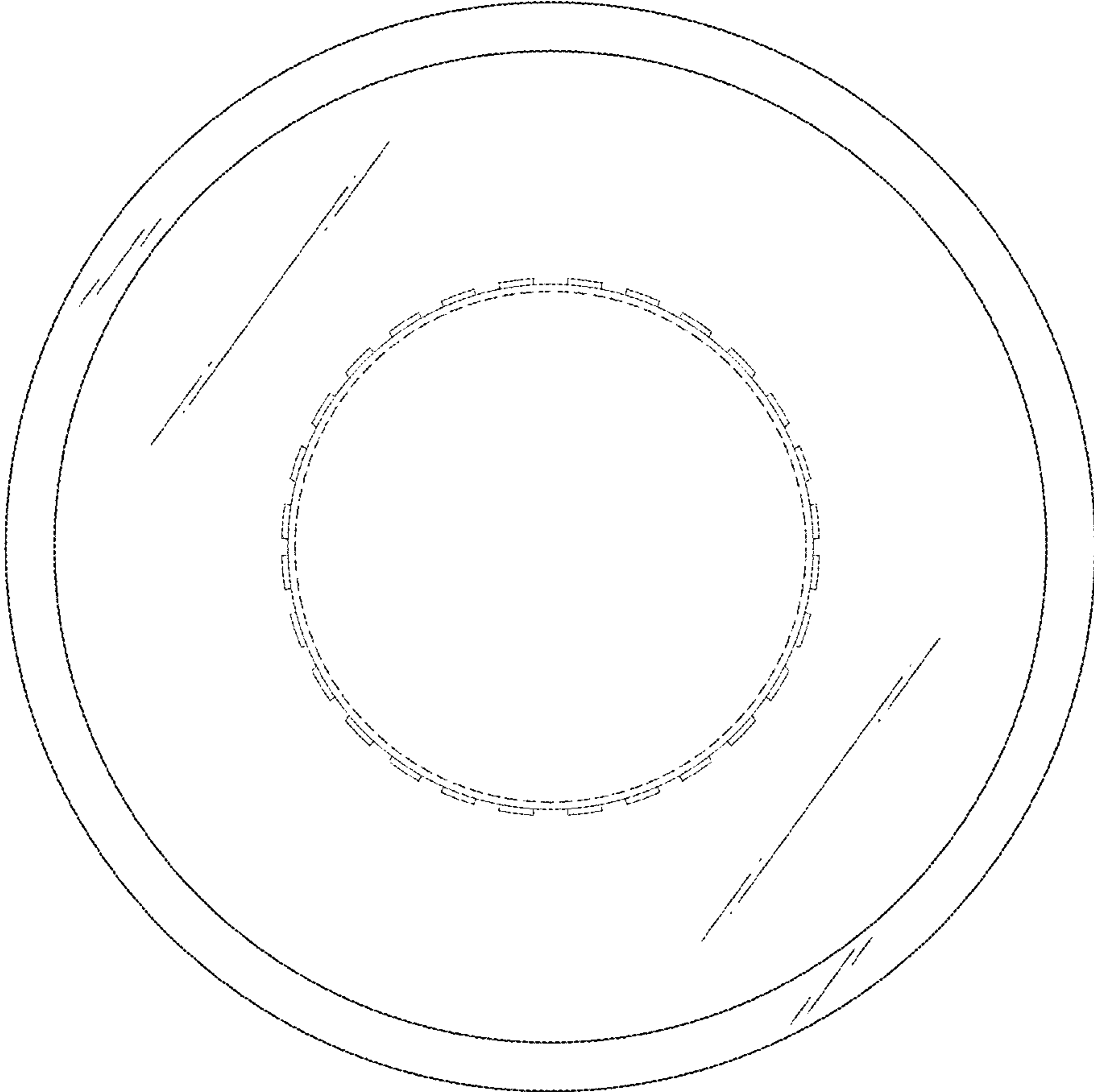


FIG. 3

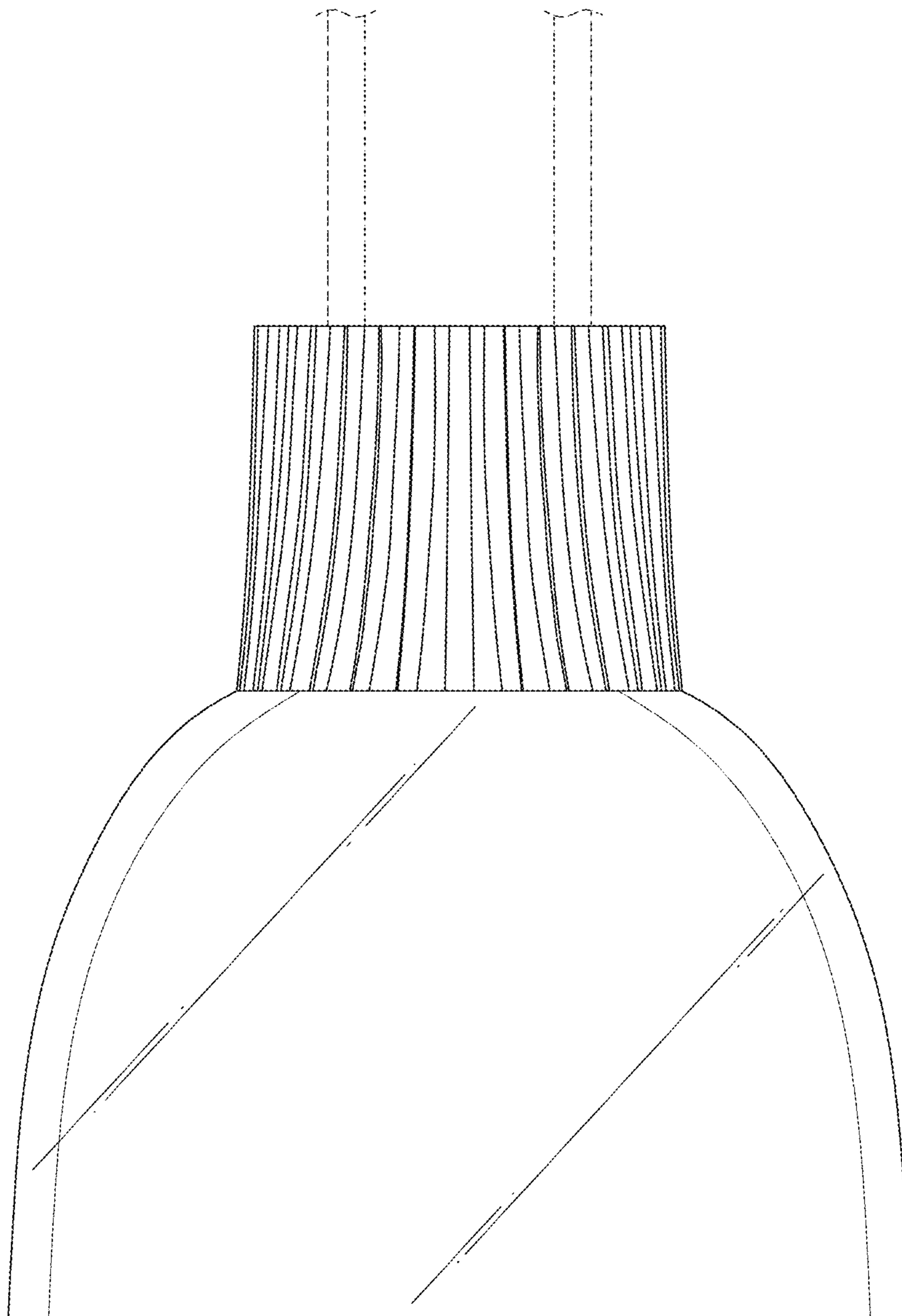


FIG.4

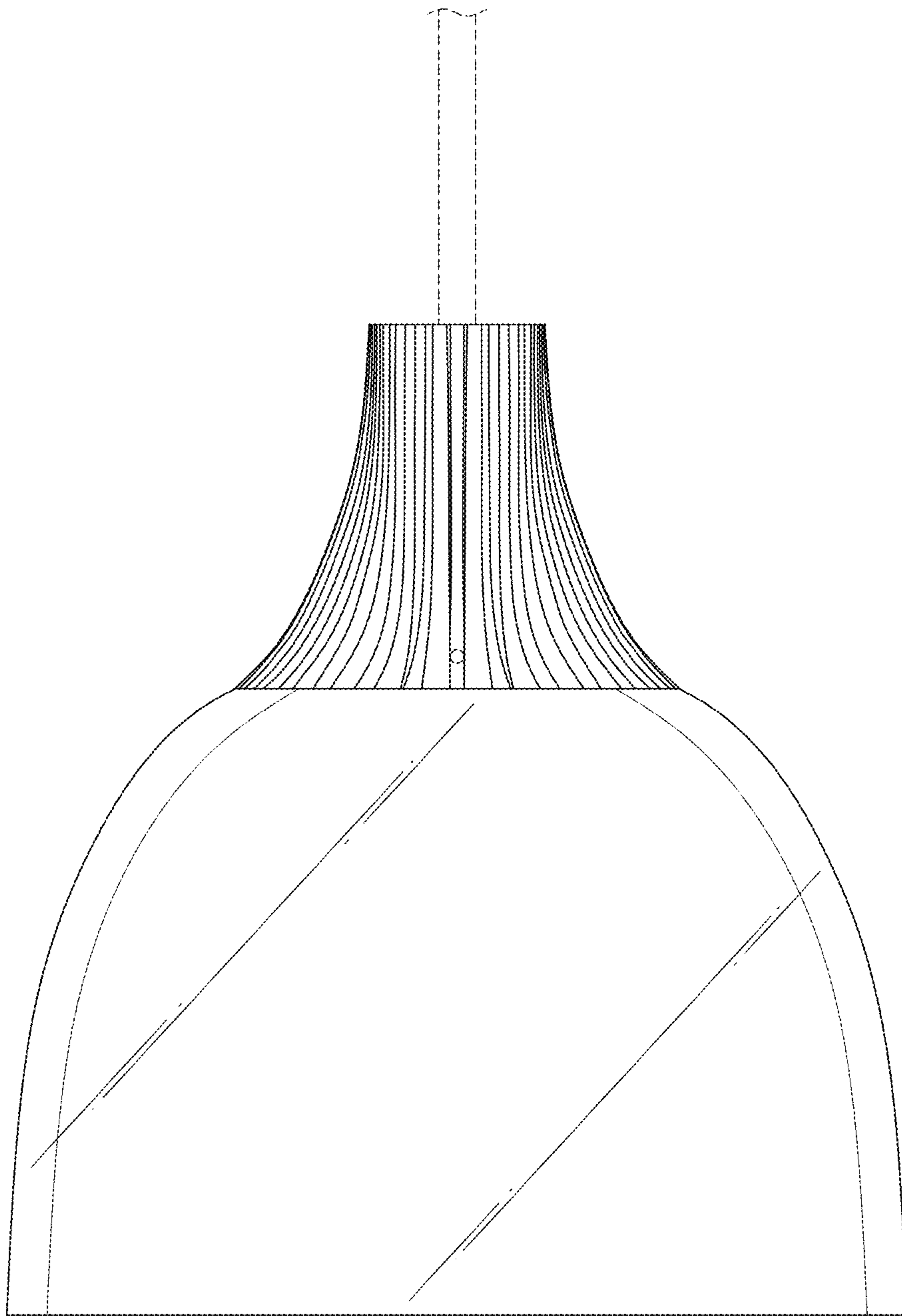


FIG. 5