



US00D790118S

(12) **United States Design Patent**
Vega

(10) **Patent No.:** **US D790,118 S**

(45) **Date of Patent:** **** Jun. 20, 2017**

(54) **LAMP**

(71) Applicant: **Mitchell Adam Vega**, Miami, FL (US)

(72) Inventor: **Mitchell Adam Vega**, Miami, FL (US)

(**) Term: **15 Years**

(21) Appl. No.: **29/553,052**

(22) Filed: **Jan. 28, 2016**

(51) **LOC (10) Cl.** **26-99**

(52) **U.S. Cl.**
USPC **D26/118**

(58) **Field of Classification Search**
USPC D26/72, 113, 120, 124, 138, 118, 119,
D26/149
CPC A63H 30/04; G05G 2009/04748; H04B
1/1027; F21S 8/04; F21S 2/005; F21S
2/00; F21Y 2103/00; B29D 21/04; F21V
21/14; F21V 7/0025; F21V 15/015; F21V
27/00; F21V 21/005

See application file for complete search history.

(56) **References Cited**

U.S. PATENT DOCUMENTS

D122,711 S * 9/1940 May D26/109
D299,957 S * 2/1989 Shoemaker D24/210

D457,672 S * 5/2002 Tsai D26/62
D586,947 S * 2/2009 Huang D26/118
D604,449 S * 11/2009 Shum D26/118

* cited by examiner

Primary Examiner — Brian N Vinson

(74) *Attorney, Agent, or Firm* — Malloy & Malloy, P.L.

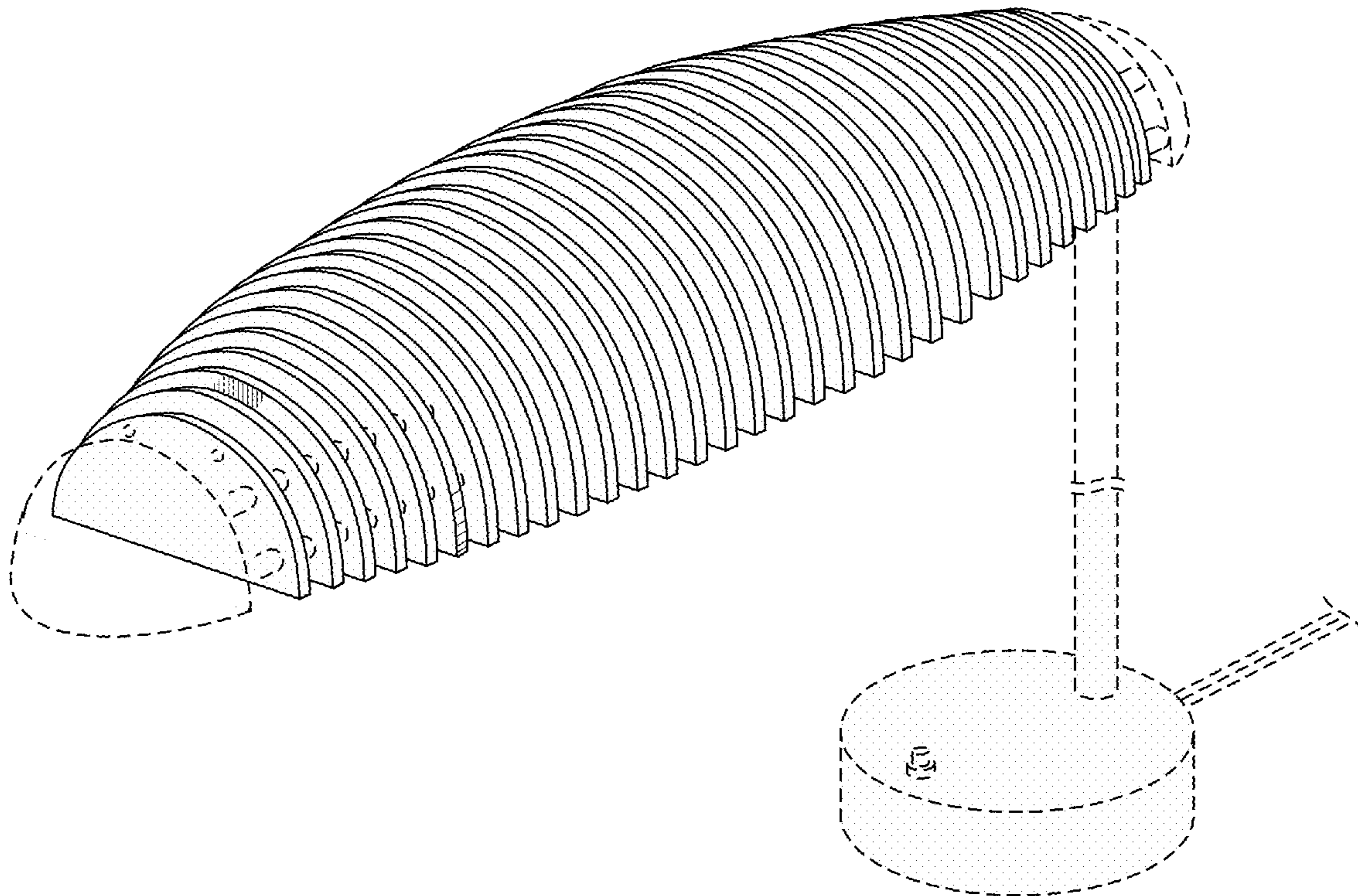
(57) **CLAIM**

The ornamental design for a lamp, as shown and described.

DESCRIPTION

FIG. 1 is a perspective view illustrating my design for a lamp;
FIG. 2 is a front view thereof;
FIG. 2A is a section view taken along line 2A-2A of FIG. 4,
presented for purposes of clarifying my design for a lamp;
FIG. 3 is a left side view illustrating my design for a lamp;
FIG. 4 is a top view thereof;
FIG. 5 is a right side view thereof;
FIG. 6 is a bottom view thereof; and,
FIG. 7 is a rear view thereof.
The broken lines in the drawings represent portions of the
lamp which form no part of the claimed design.

1 Claim, 7 Drawing Sheets



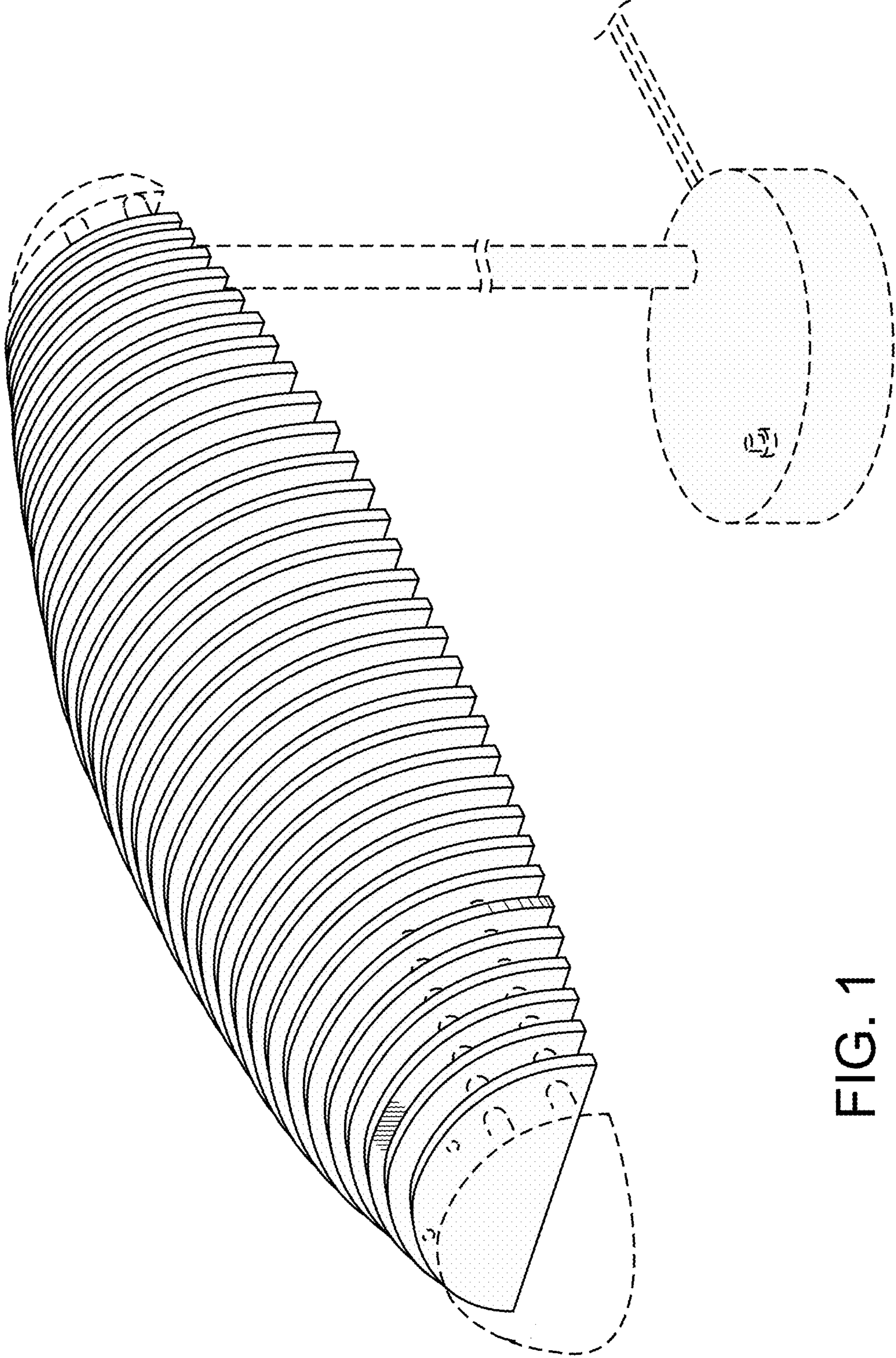


FIG. 1

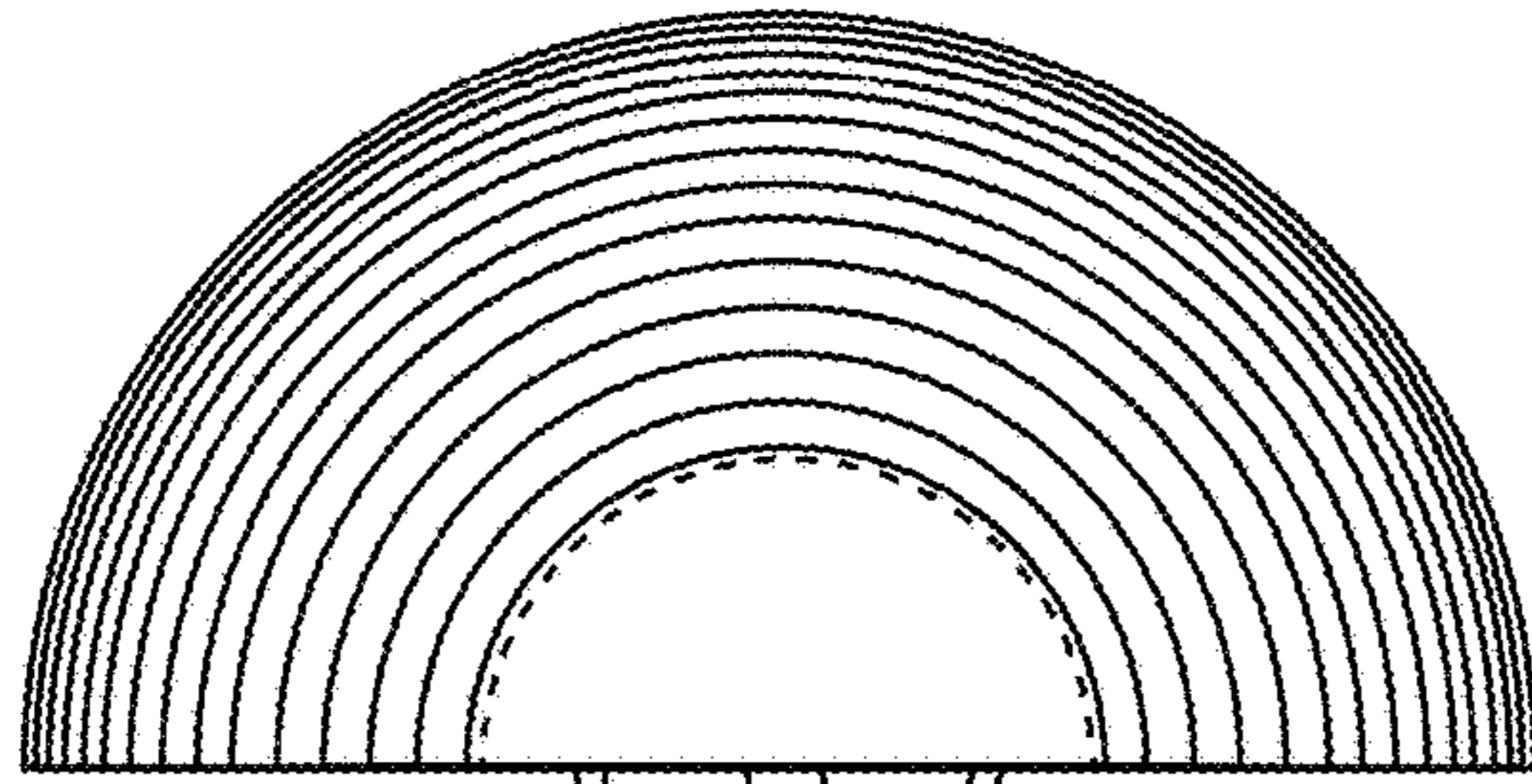


FIG. 2

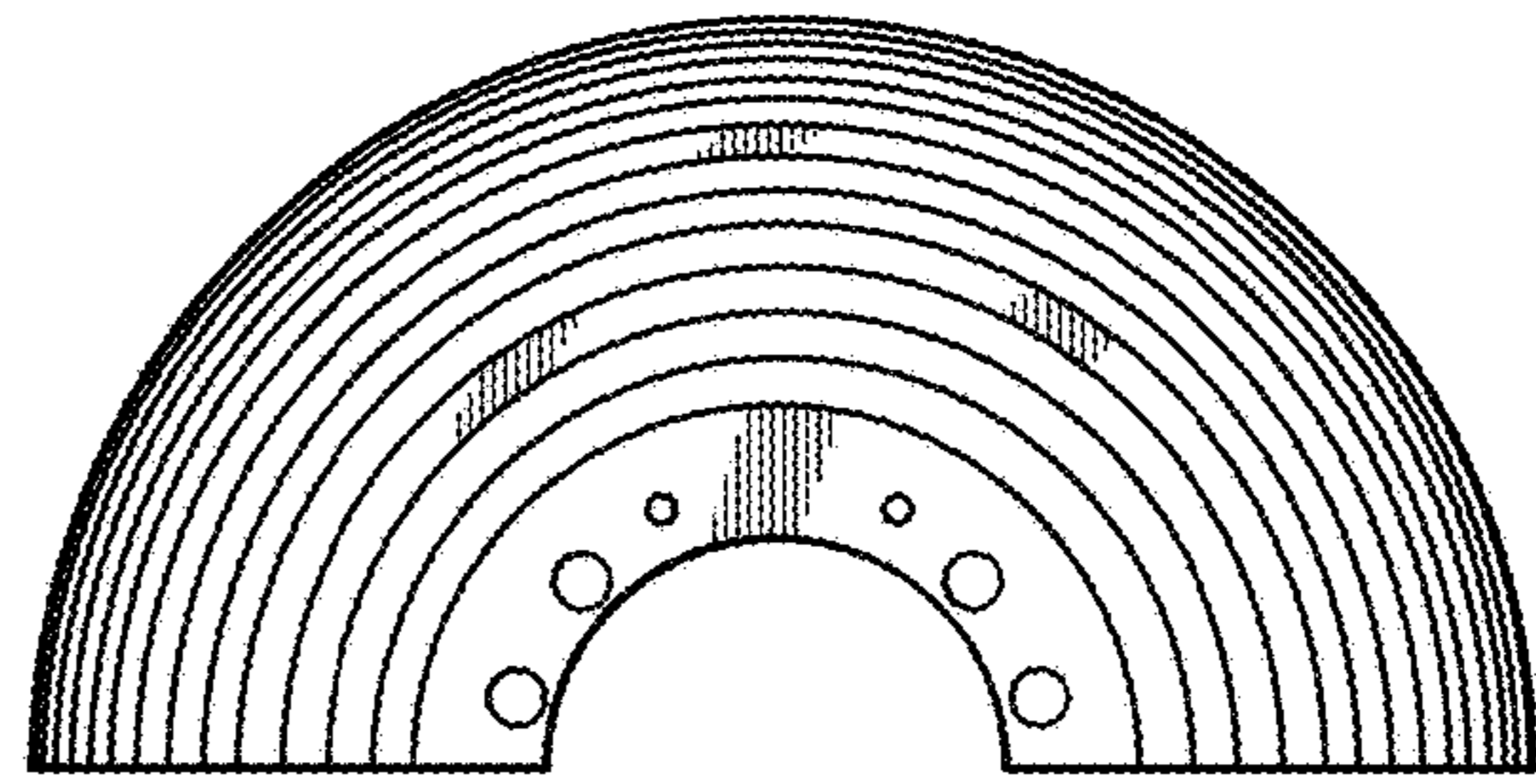
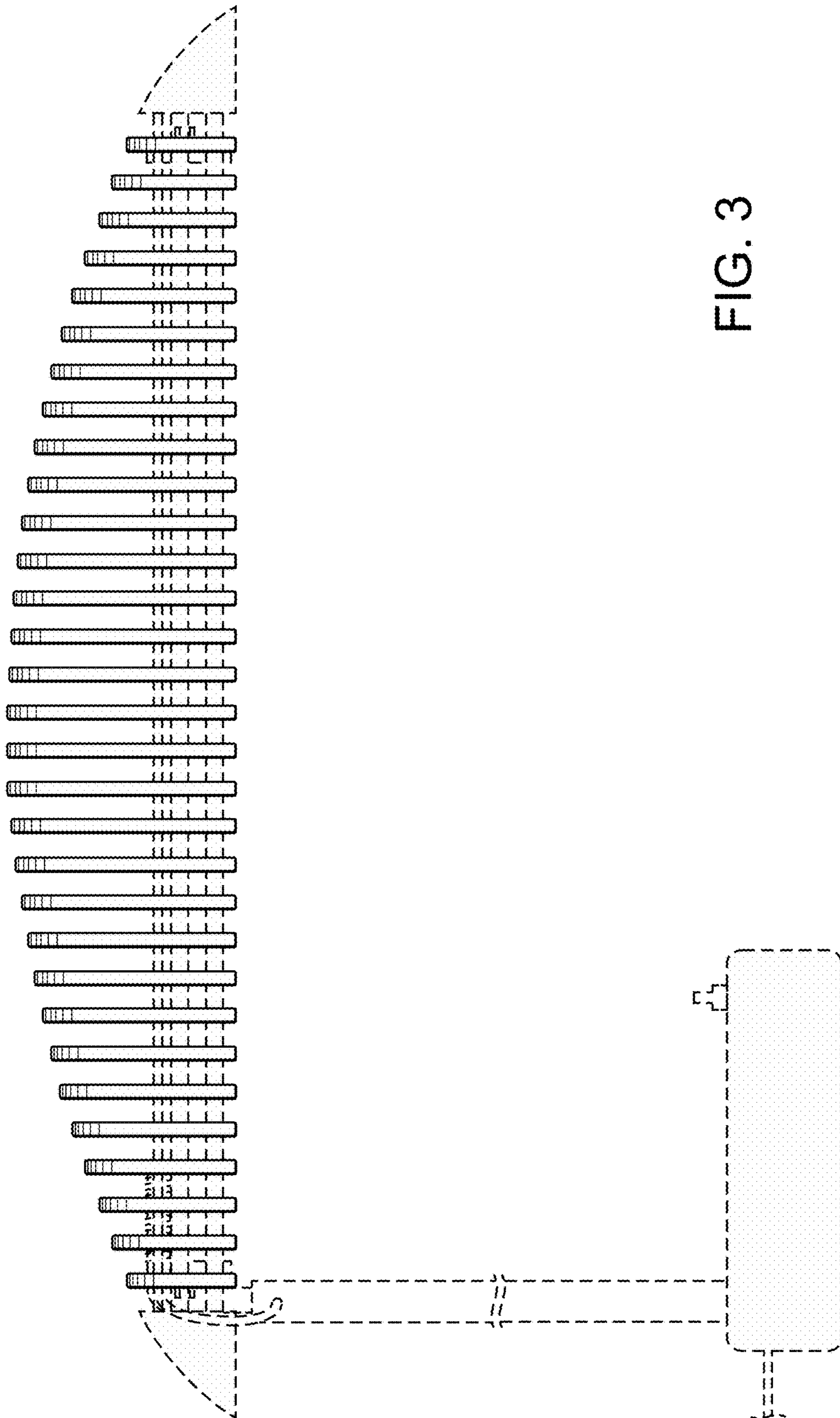


FIG. 2A



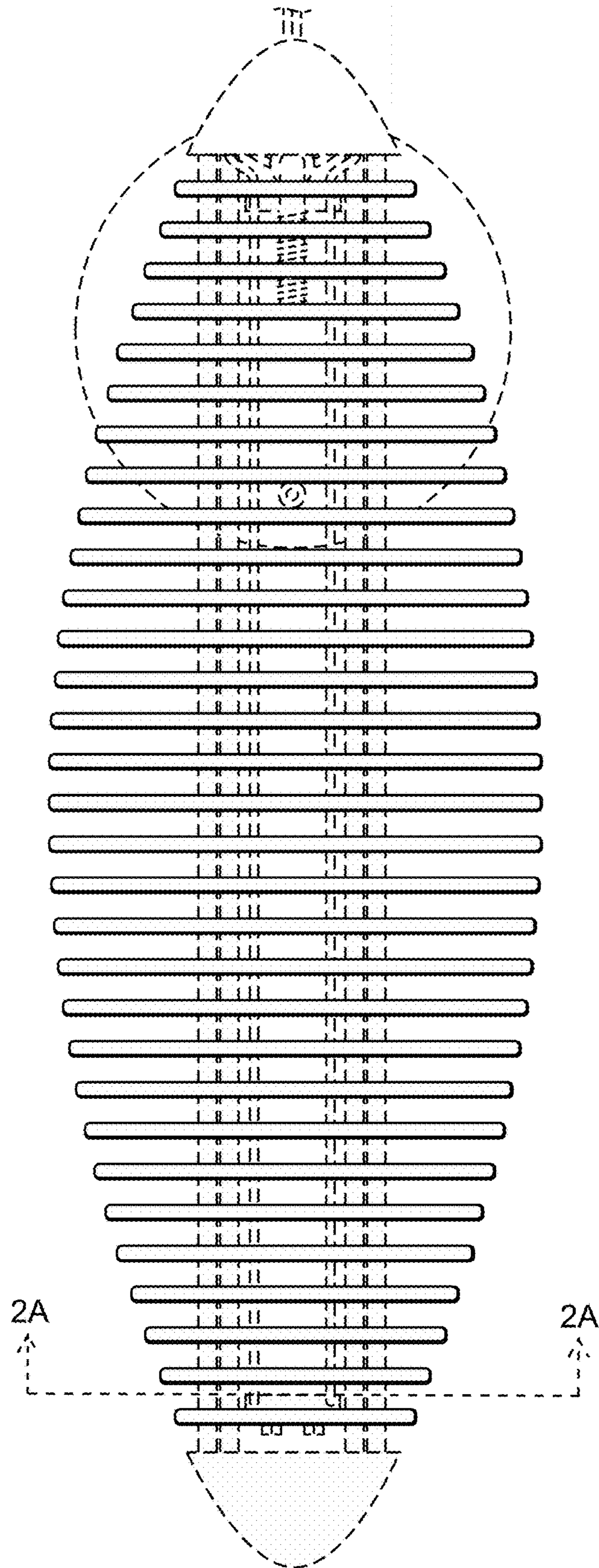


FIG. 4

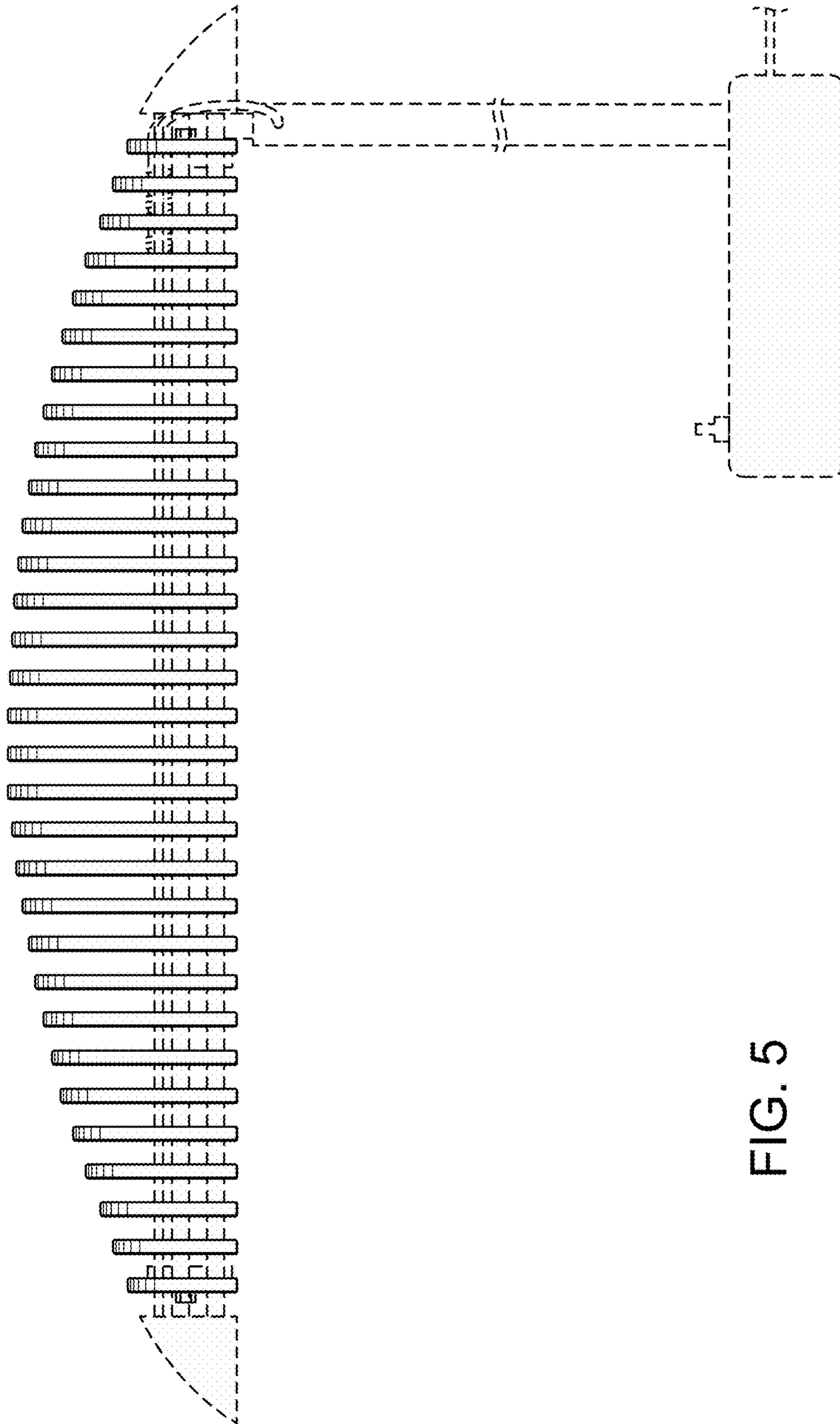


FIG. 5

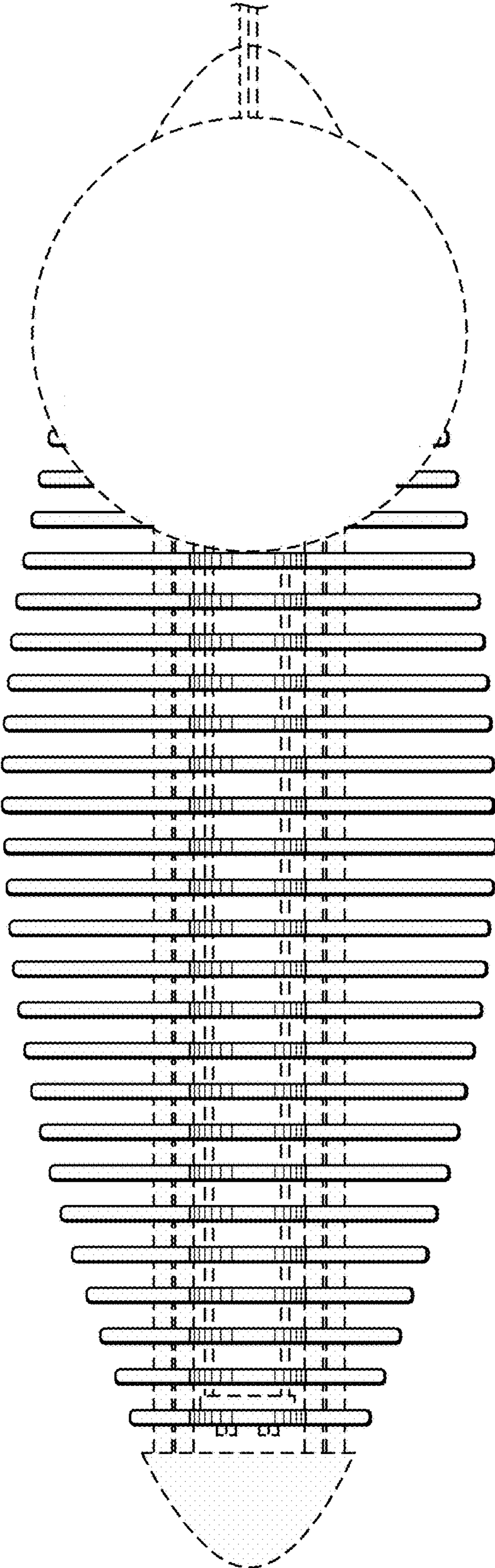


FIG. 6

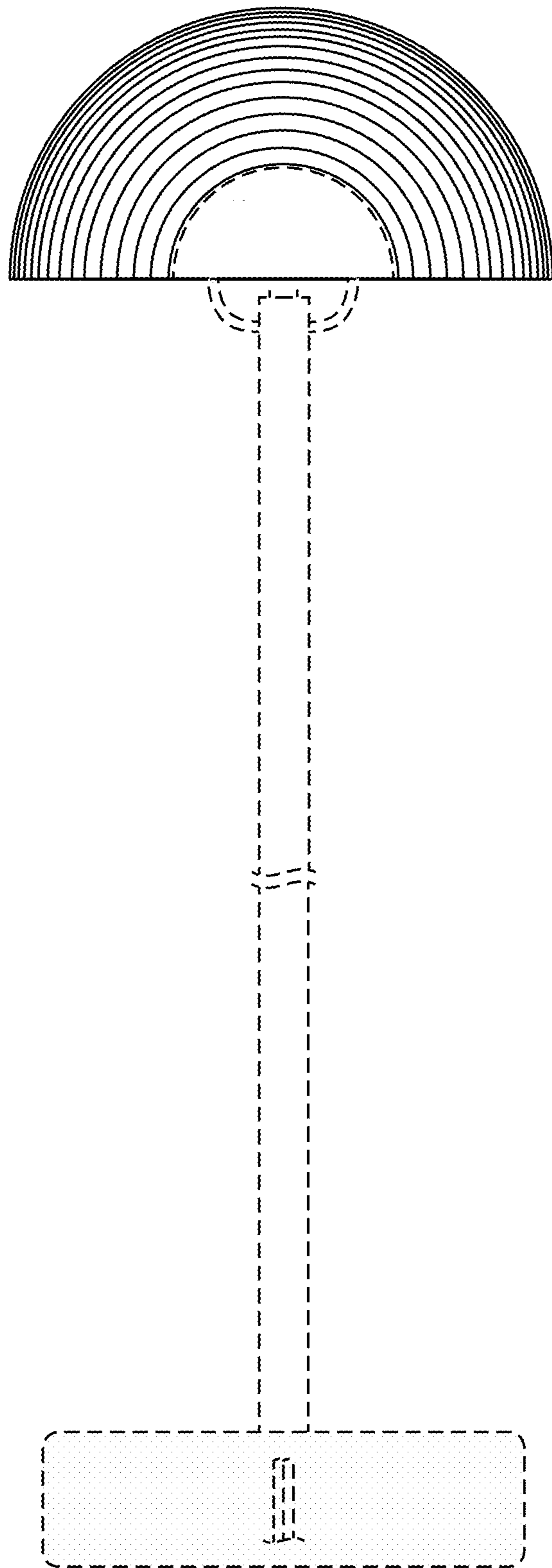


FIG. 7