



US00D790112S

(12) **United States Design Patent**
Chung et al.

(10) **Patent No.:** **US D790,112 S**

(45) **Date of Patent:** **** Jun. 20, 2017**

- (54) **LIGHT FIXTURE**
- (71) Applicant: **Focal Point, LLC**, Chicago, IL (US)
- (72) Inventors: **Casey Chung**, Bloomingdale, IL (US);
Graeme Robert Alexander Watt,
Bowdon (GB); **Stephen Krotseng**,
Chicago, IL (US); **Ken Czech**,
Naperville, IL (US)
- (73) Assignee: **Focal Point, LLC**, Chicago, IL (US)

D556,358 S *	11/2007	Santoro	D26/76
D608,932 S *	1/2010	Castelli	D26/76
D617,487 S *	6/2010	Fowler, Jr.	D26/118
D631,594 S *	1/2011	Irvine	D26/74
D648,060 S *	11/2011	Yamamoto	D26/120
D653,376 S *	1/2012	Kong	D26/76
8,272,763 B1 *	9/2012	Chinnam	F21V 29/89 362/147
D677,819 S *	3/2013	Mayfield, III	D26/74
D690,868 S *	10/2013	Mayfield, III	D26/74
D724,774 S *	3/2015	Mayfield, III	D26/74
D767,193 S *	9/2016	Jung	D26/74

(**) Term: **15 Years**

(21) Appl. No.: **29/547,870**

(22) Filed: **Dec. 8, 2015**

Related U.S. Application Data

(63) Continuation of application No. 29/541,646, filed on Oct. 6, 2015, now abandoned.

(51) **LOC (10) Cl.** **26-99**

(52) **U.S. Cl.**
USPC **D26/118**

(58) **Field of Classification Search**
USPC D26/74, 72, 75, 76, 77, 78, 85, 88, 89,
D26/118, 138, 120
CPC F21V 29/2262; F21V 7/06; F21V 21/044;
F21V 21/047; F21V 29/2212; F21V
29/2225; F21V 29/2256; F21V 29/225;
F21V 29/2268; F21V 29/89; F21Y
2111/002; F21S 8/02; F21S 8/026
See application file for complete search history.

(56) **References Cited**

U.S. PATENT DOCUMENTS

5,988,829 A *	11/1999	Holder	F21S 8/02 362/147
D545,992 S *	7/2007	Mayfield, III	D26/118

* cited by examiner

Primary Examiner — Brian N Vinson

(74) *Attorney, Agent, or Firm* — Banner & Witcoff, Ltd.

(57) **CLAIM**

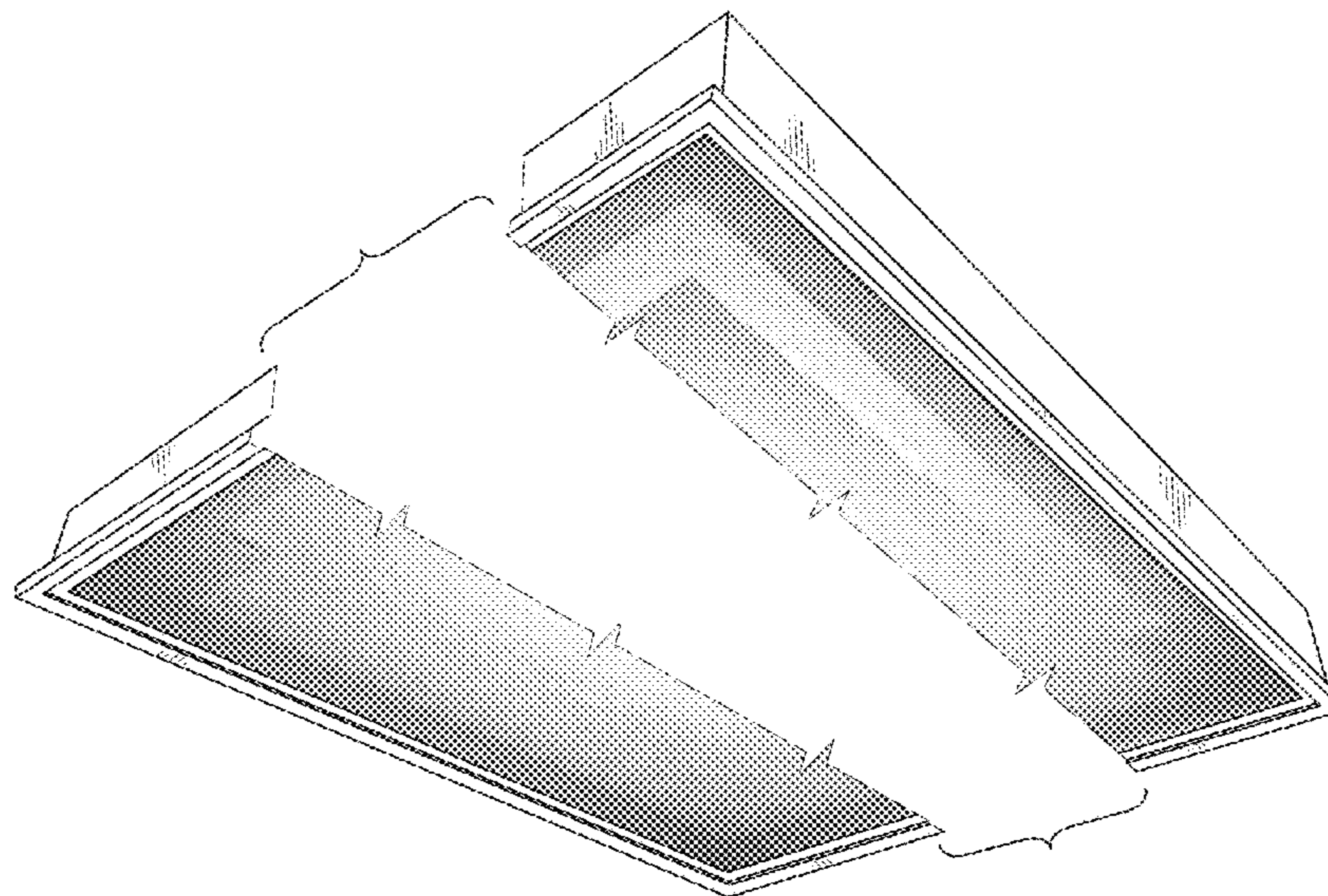
The ornamental design for a light fixture, as shown and described.

DESCRIPTION

FIG. 1 is a first perspective view of a light fixture showing our new design;
FIG. 2 is a bottom view thereof;
FIG. 3 is a second perspective view thereof;
FIG. 4 is a top view thereof;
FIG. 5 is a front view thereof;
FIG. 6 is a rear view thereof;
FIG. 7 is a right side view thereof; and,
FIG. 8 is a left side view thereof.

The uneven-length broken lines immediately adjacent to the shaded areas represent an unclaimed boundary of the claim, and the area between those lines forms no part of the claimed design.

1 Claim, 6 Drawing Sheets



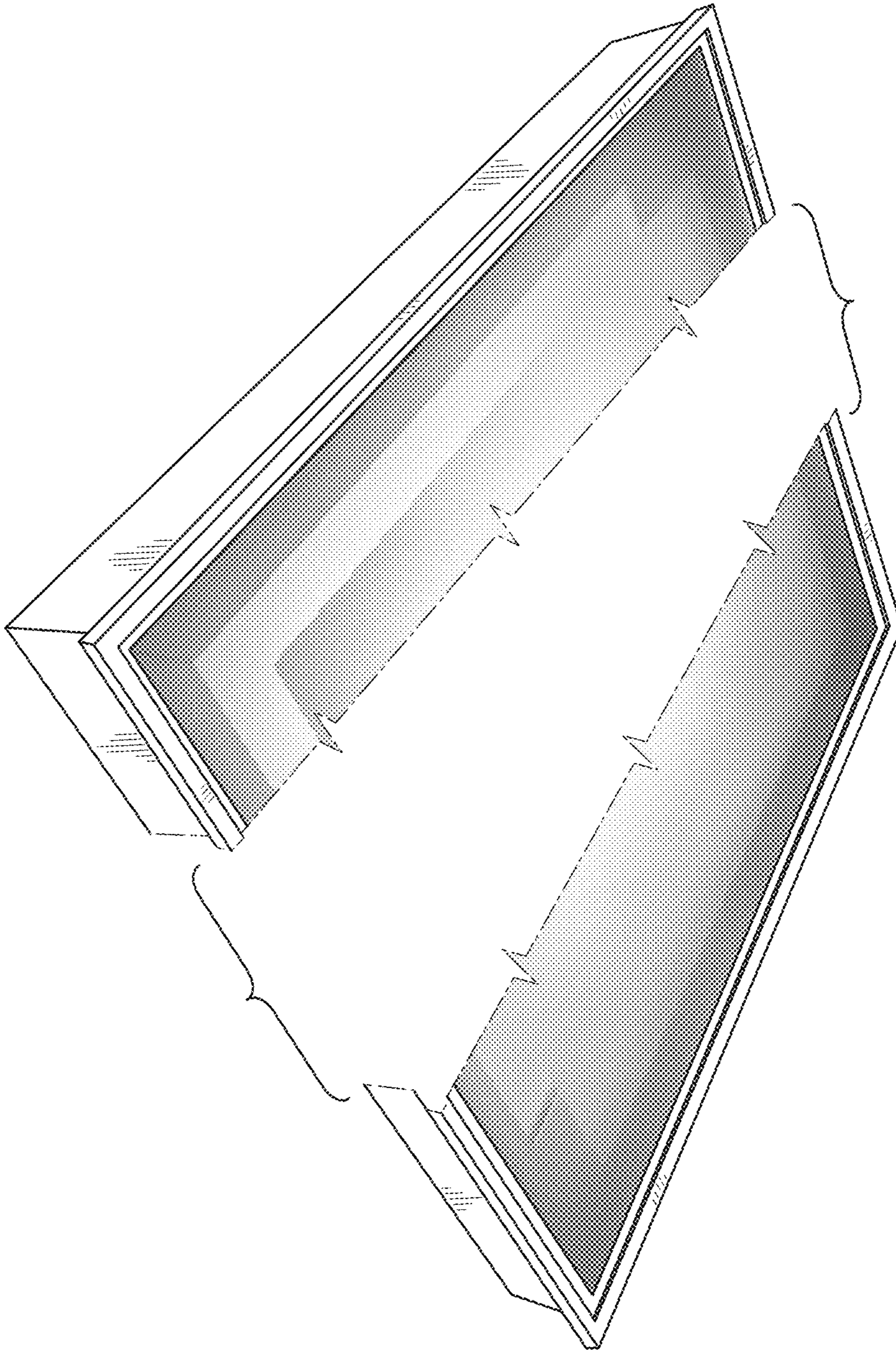


FIG. 1

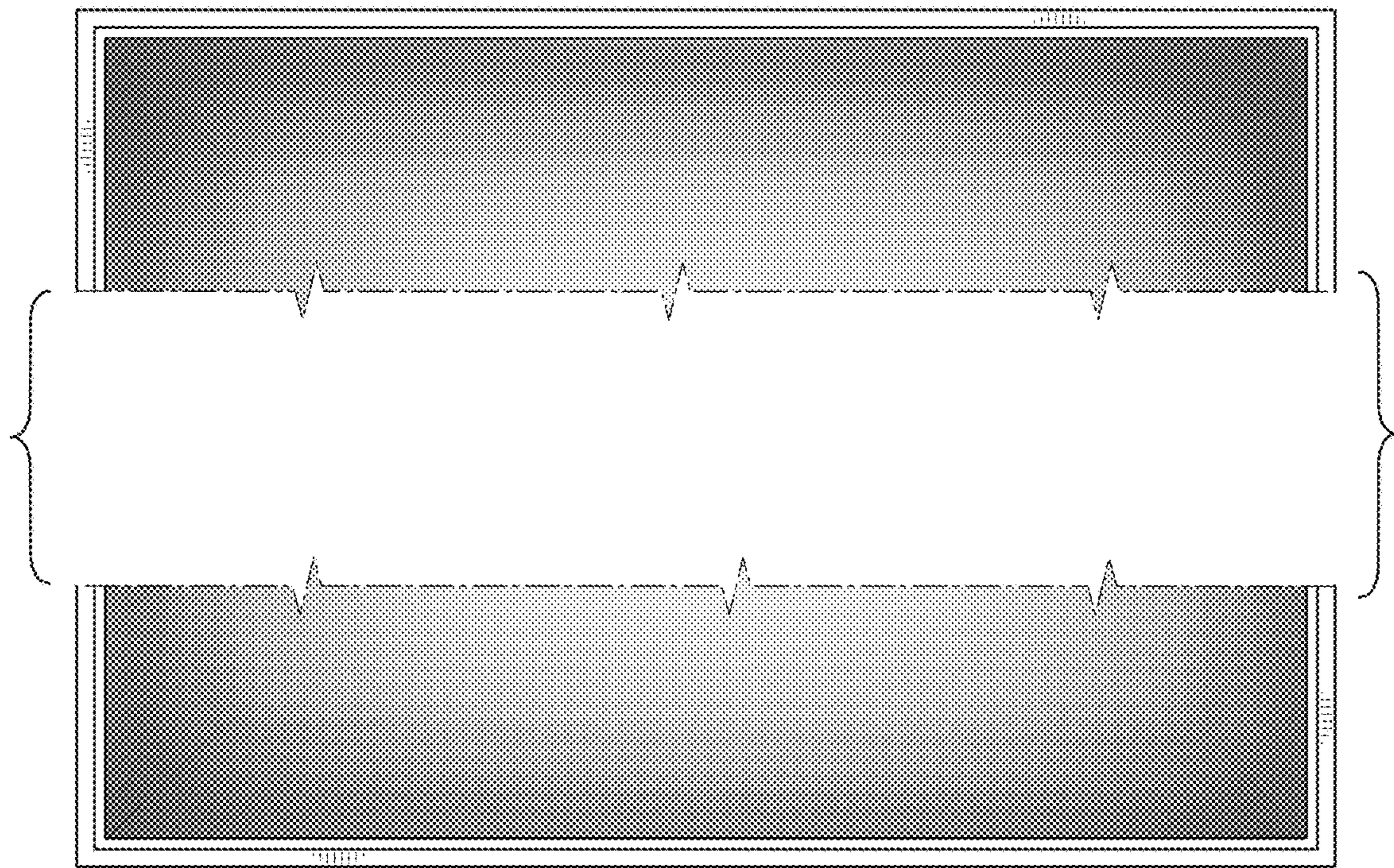


FIG. 2

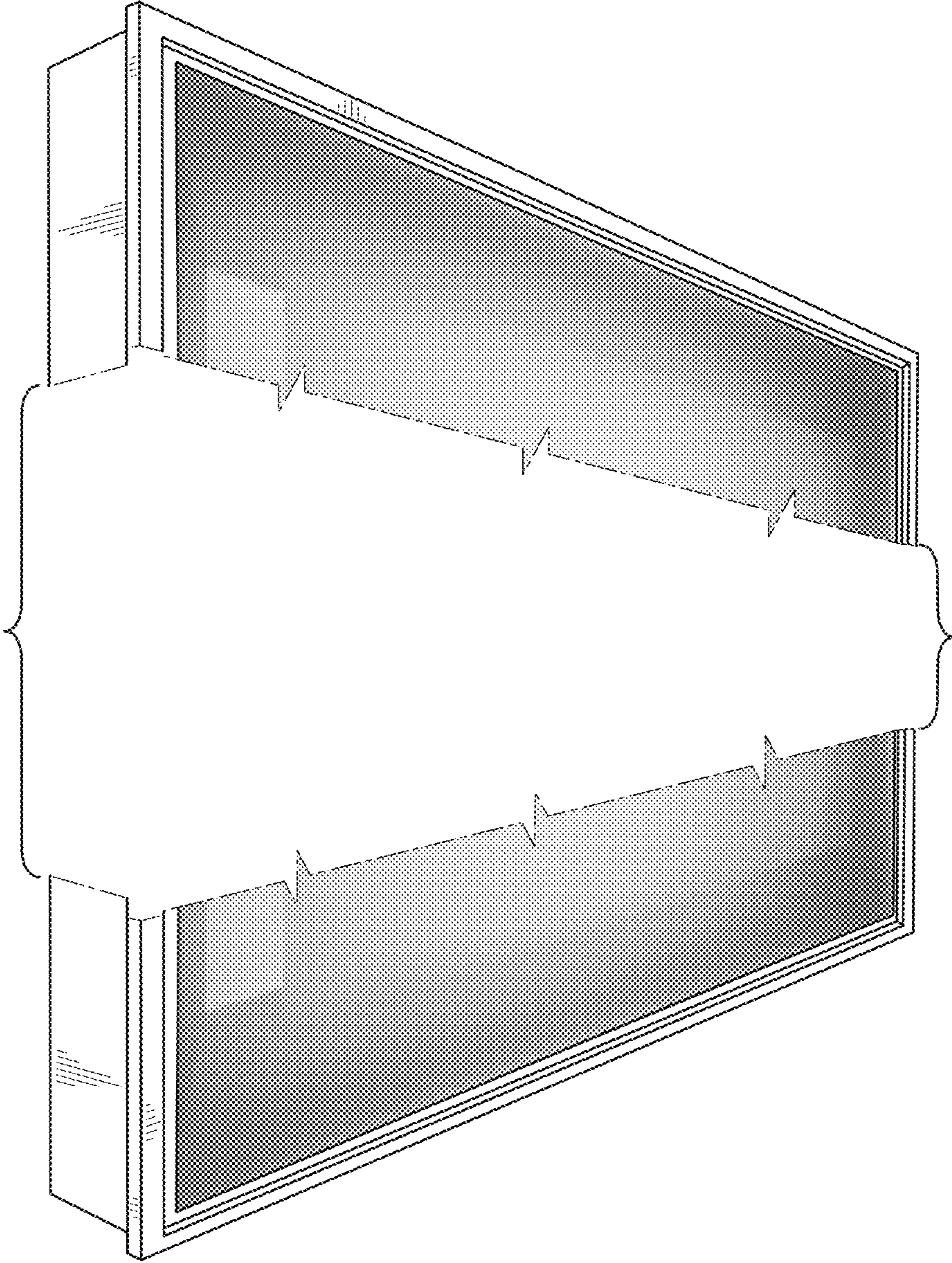


FIG. 3

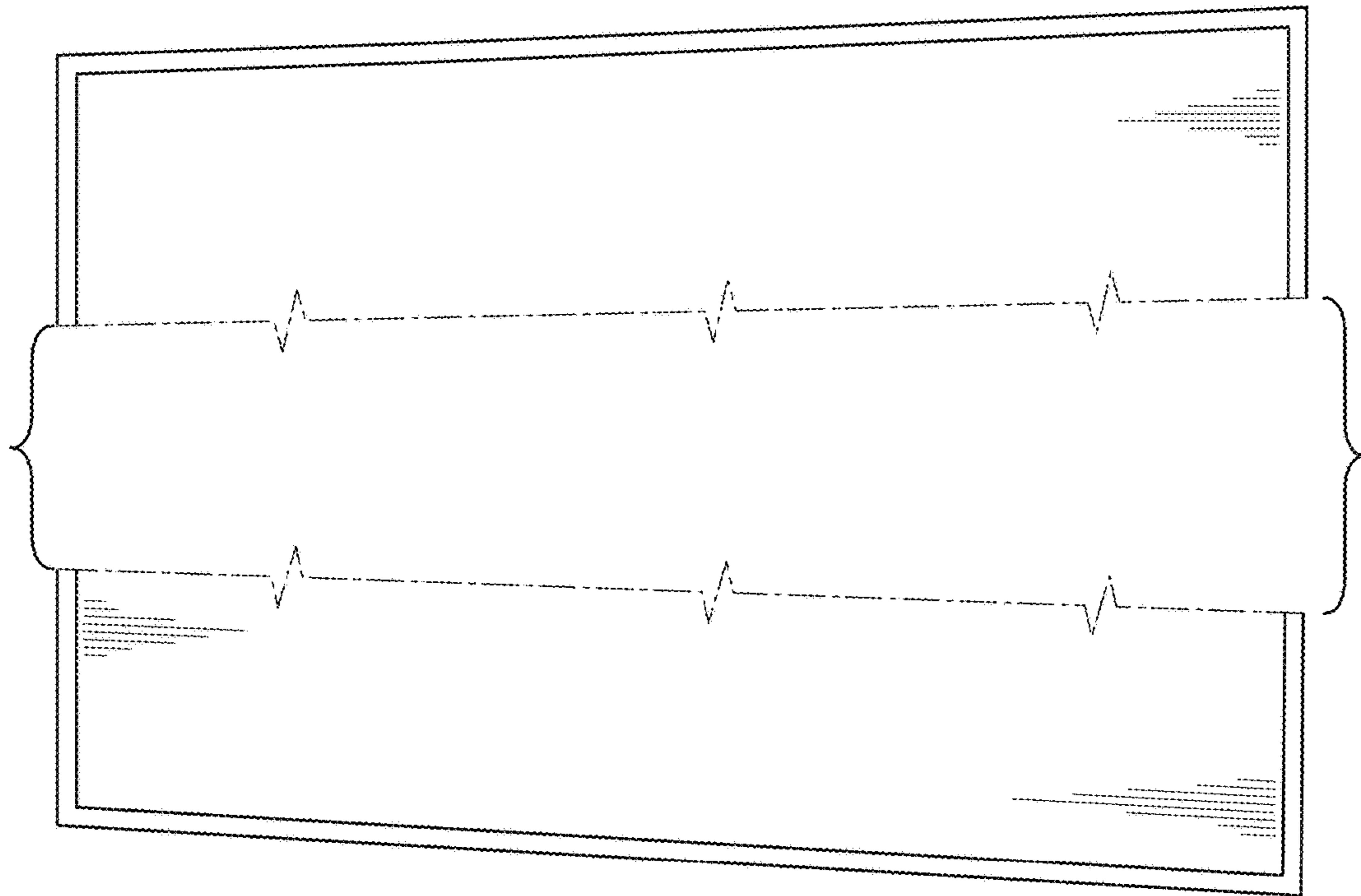


FIG. 4

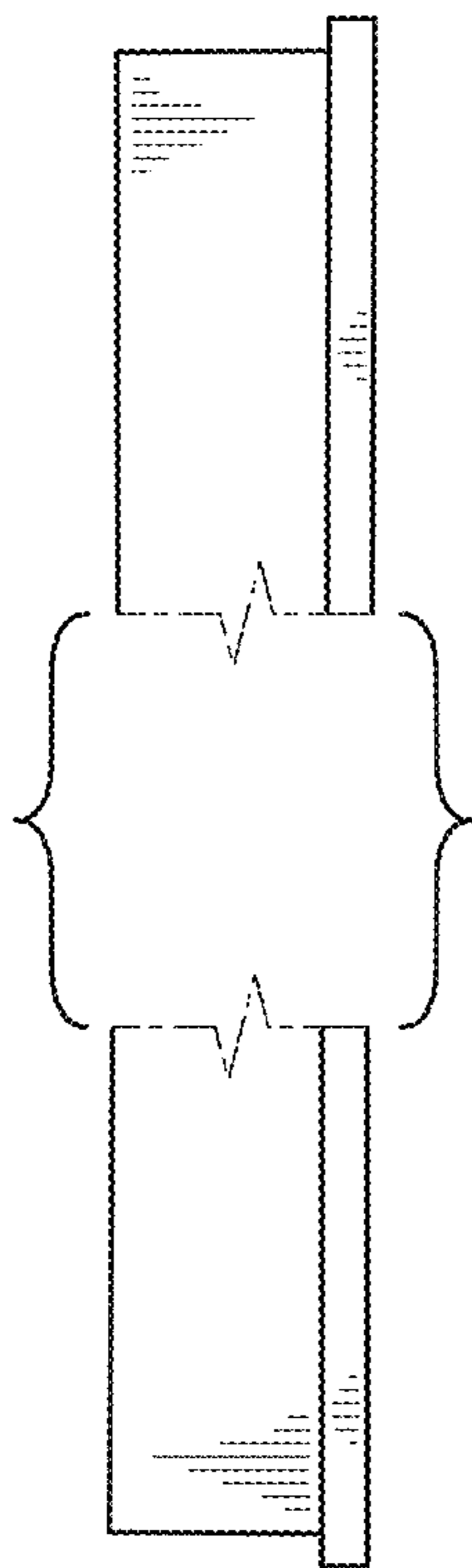


FIG. 5

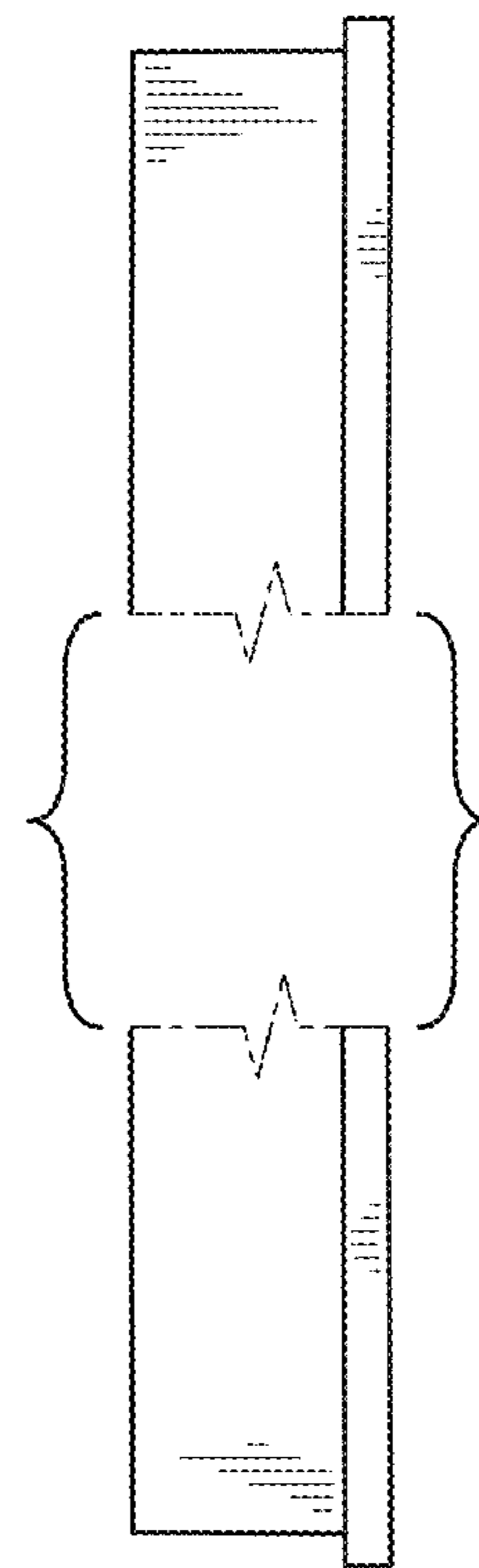


FIG. 6

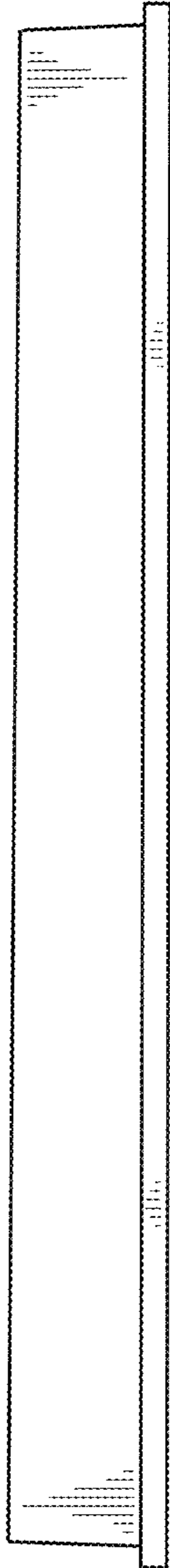


FIG. 7

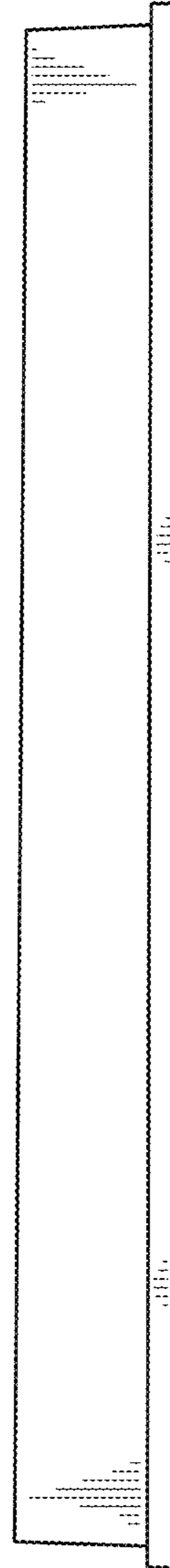


FIG. 8