



US00D790111S

(12) **United States Design Patent** (10) **Patent No.:** **US D790,111 S**
August (45) **Date of Patent:** **** Jun. 20, 2017**

(54) **LIGHTING FIXTURE**

(71) Applicant: **John August**, Mill Valley, CA (US)

(72) Inventor: **John August**, Mill Valley, CA (US)

(**) Term: **15 Years**

(21) Appl. No.: **29/550,809**

(22) Filed: **Jan. 7, 2016**

(51) **LOC (10) Cl.** **26-03**

(52) **U.S. Cl.**
USPC **D26/107**

(58) **Field of Classification Search**

USPC D26/24, 93, 3, 107

CPC F21S 6/00; F21S 6/002; F21S 6/004; F21S 6/006; F21S 8/00; F21S 10/00; F21V 21/02; F21W 2131/30; F21Y 2105/00

See application file for complete search history.

(56) **References Cited**

U.S. PATENT DOCUMENTS

D221,681 S *	8/1971	Chastain et al.	D26/104
D231,559 S *	4/1974	Darling et al.	D26/63
D239,314 S *	3/1976	Lieberman	D26/107
D295,330 S *	4/1988	Laroye	D26/104
D736,445 S *	8/2015	Jahnke	D26/93
D759,290 S *	6/2016	Hsu	D26/107
D763,497 S *	8/2016	Yang	D26/107
D764,090 S *	8/2016	Wahl	D26/65

* cited by examiner

Primary Examiner — Brian N Vinson

(74) *Attorney, Agent, or Firm* — PatentBest; Andrew McAleavey

(57) **CLAIM**

The ornamental design for a lighting fixture, as shown and described.

DESCRIPTION

FIG. 1 is a perspective view of a lighting fixture illustrating my new design;

FIG. 2 is a side perspective view of the lighting fixture of FIG. 1;

FIG. 3 is a front elevational view of the lighting fixture of FIG. 1;

FIG. 4 is a rear elevational view of the lighting fixture of FIG. 1;

FIG. 5 is a side elevational view of one side of the lighting fixture of FIG. 1;

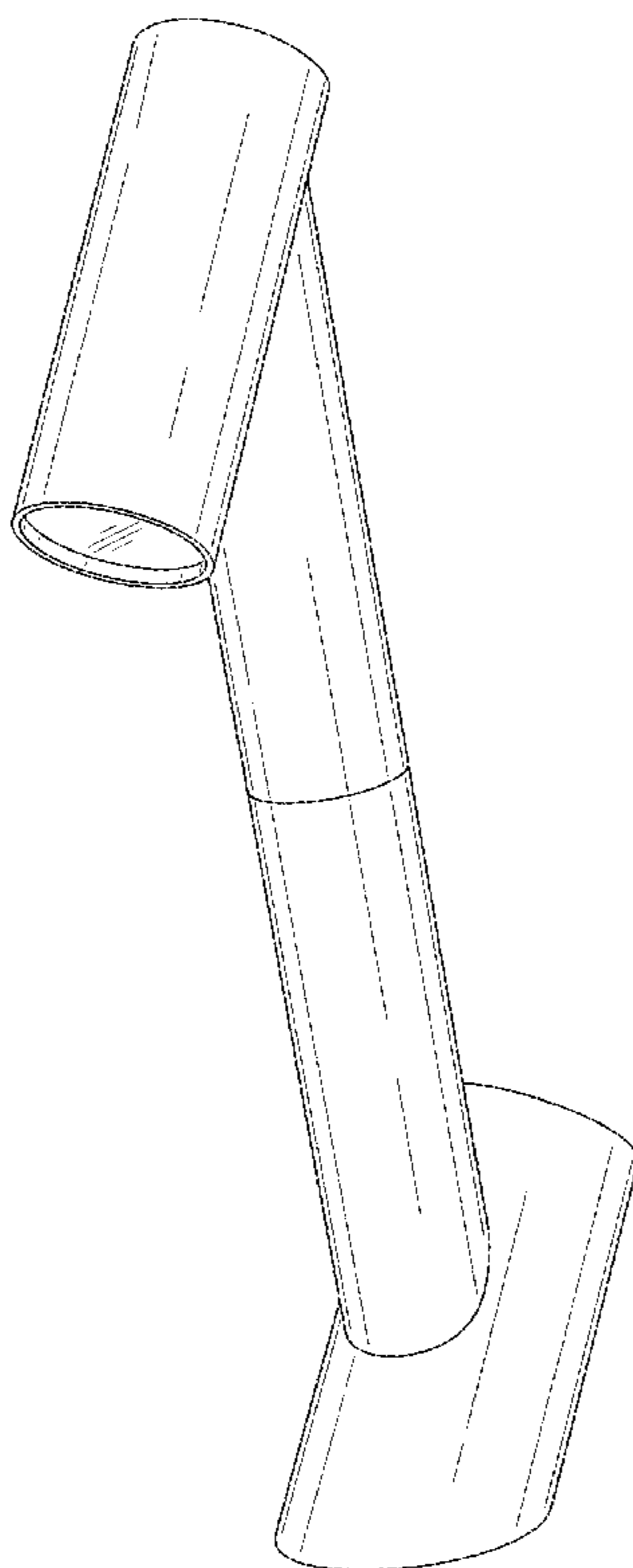
FIG. 6 is a side elevational view of the other side of the lighting fixture of FIG. 1;

FIG. 7 is a top plan view of the lighting fixture of FIG. 1; and,

FIG. 8 is a bottom plan view of the lighting fixture of FIG. 1.

The broken lines immediately adjacent the shaded areas represent the bounds of the claimed design, while all other broken lines are directed to environment and are for illustrative purposes only; the broken lines form no part of the claimed design.

1 Claim, 6 Drawing Sheets



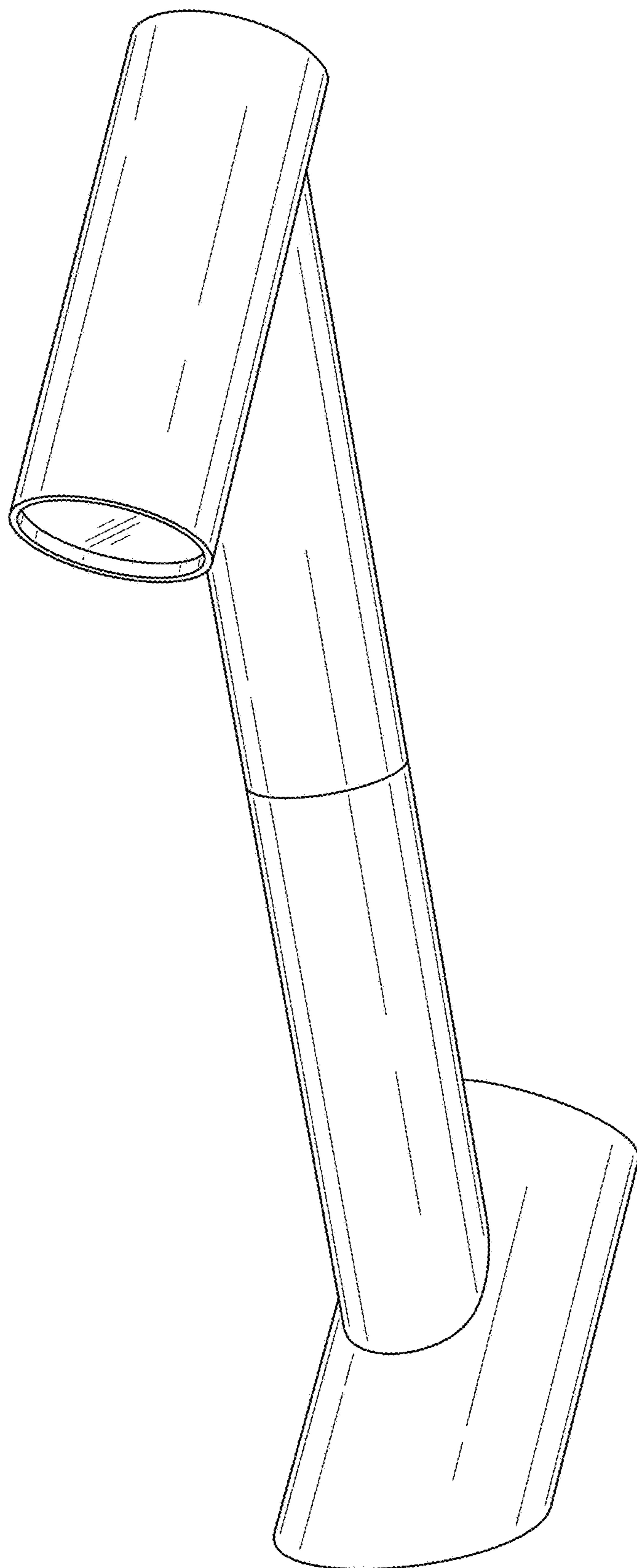


FIG. 1

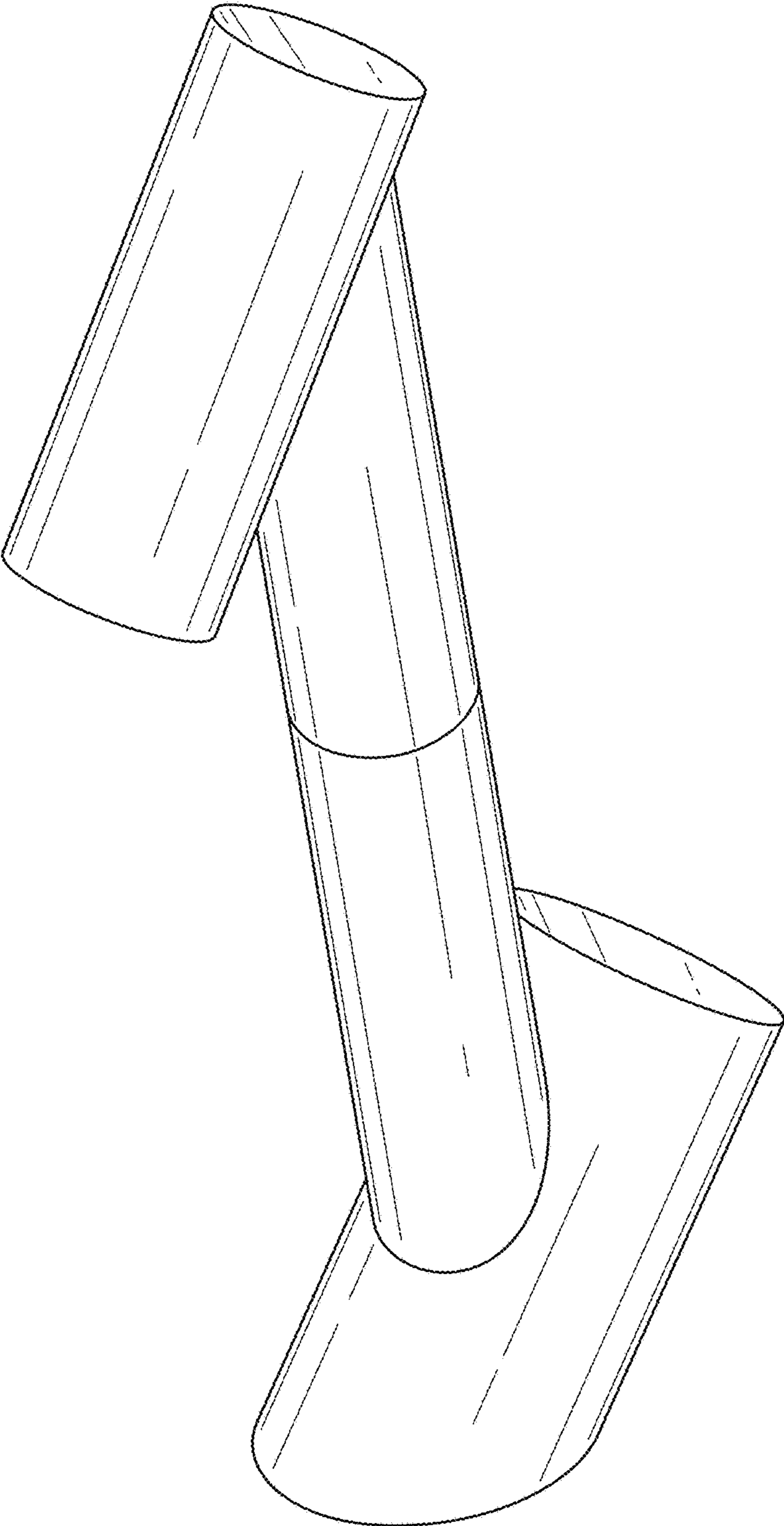


FIG. 2

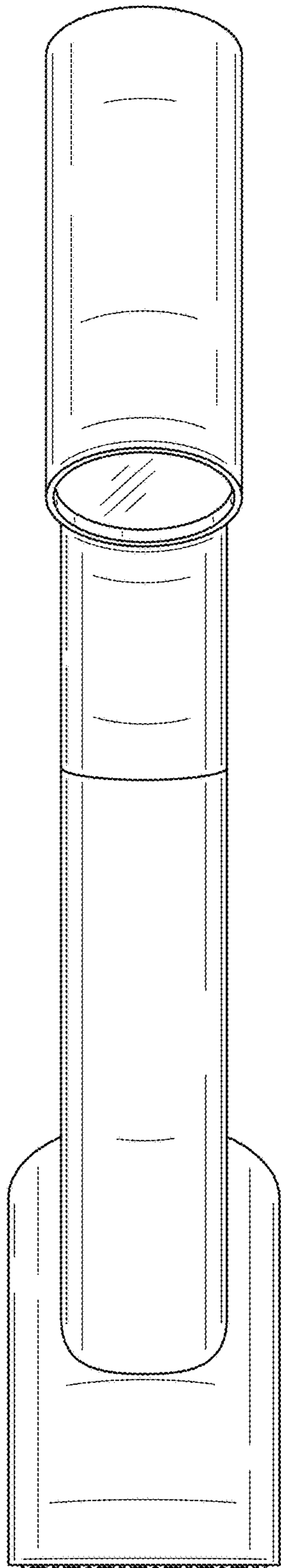


FIG. 3

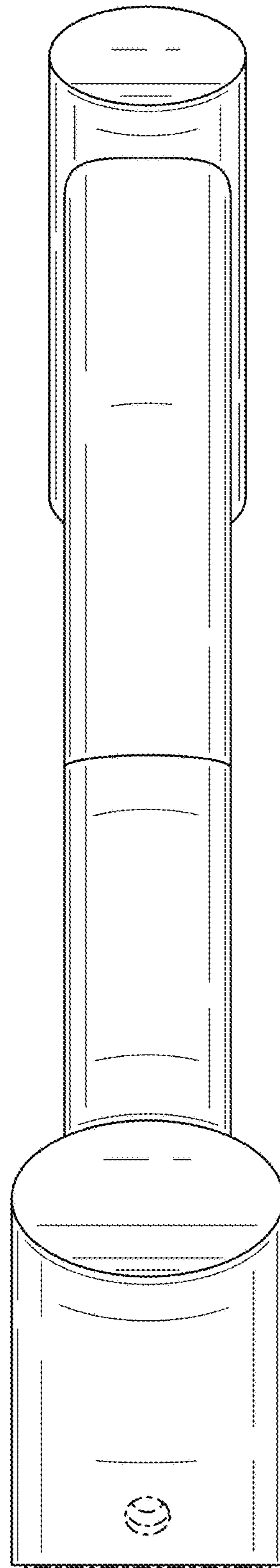


FIG. 4

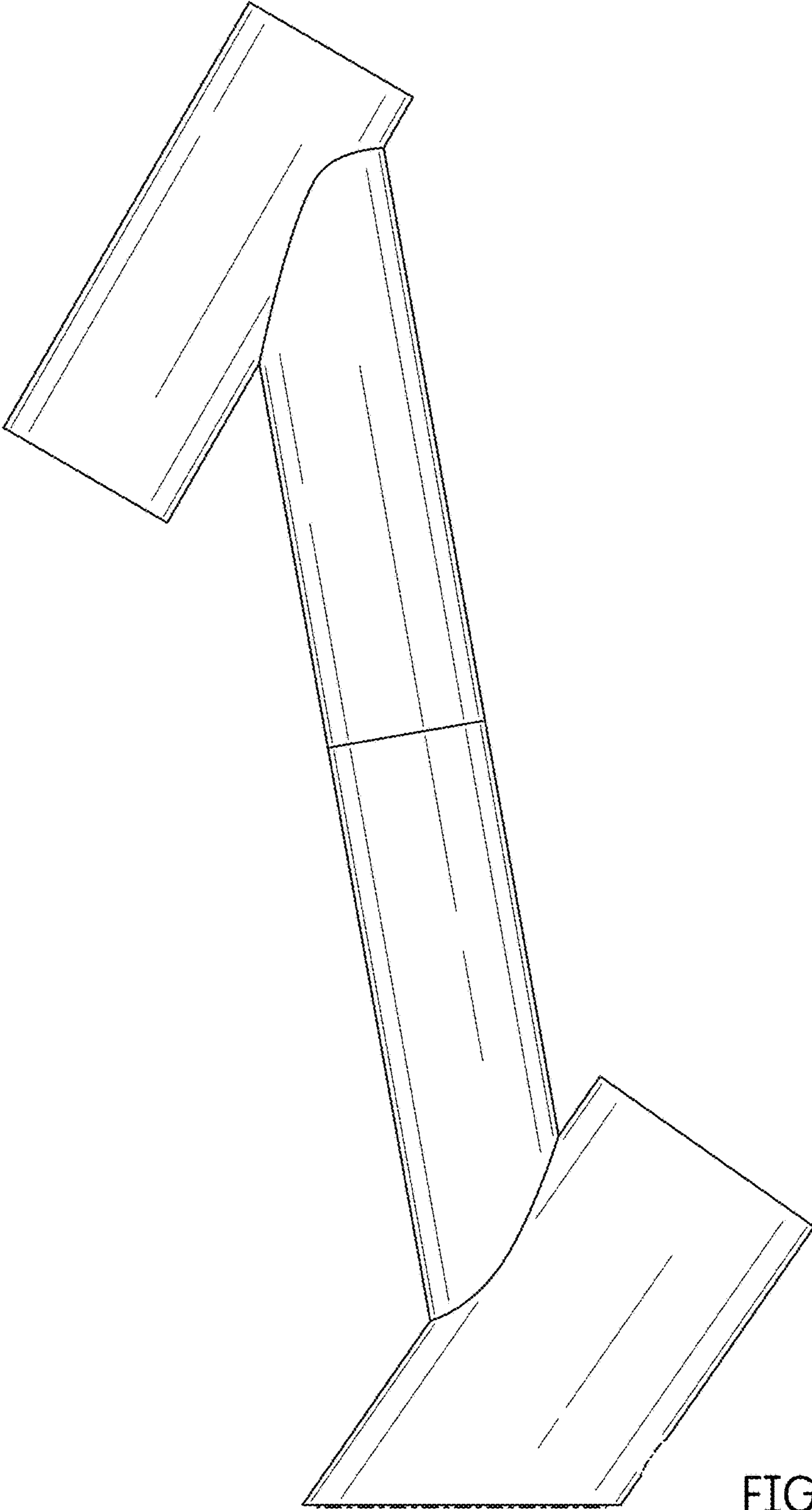


FIG. 5

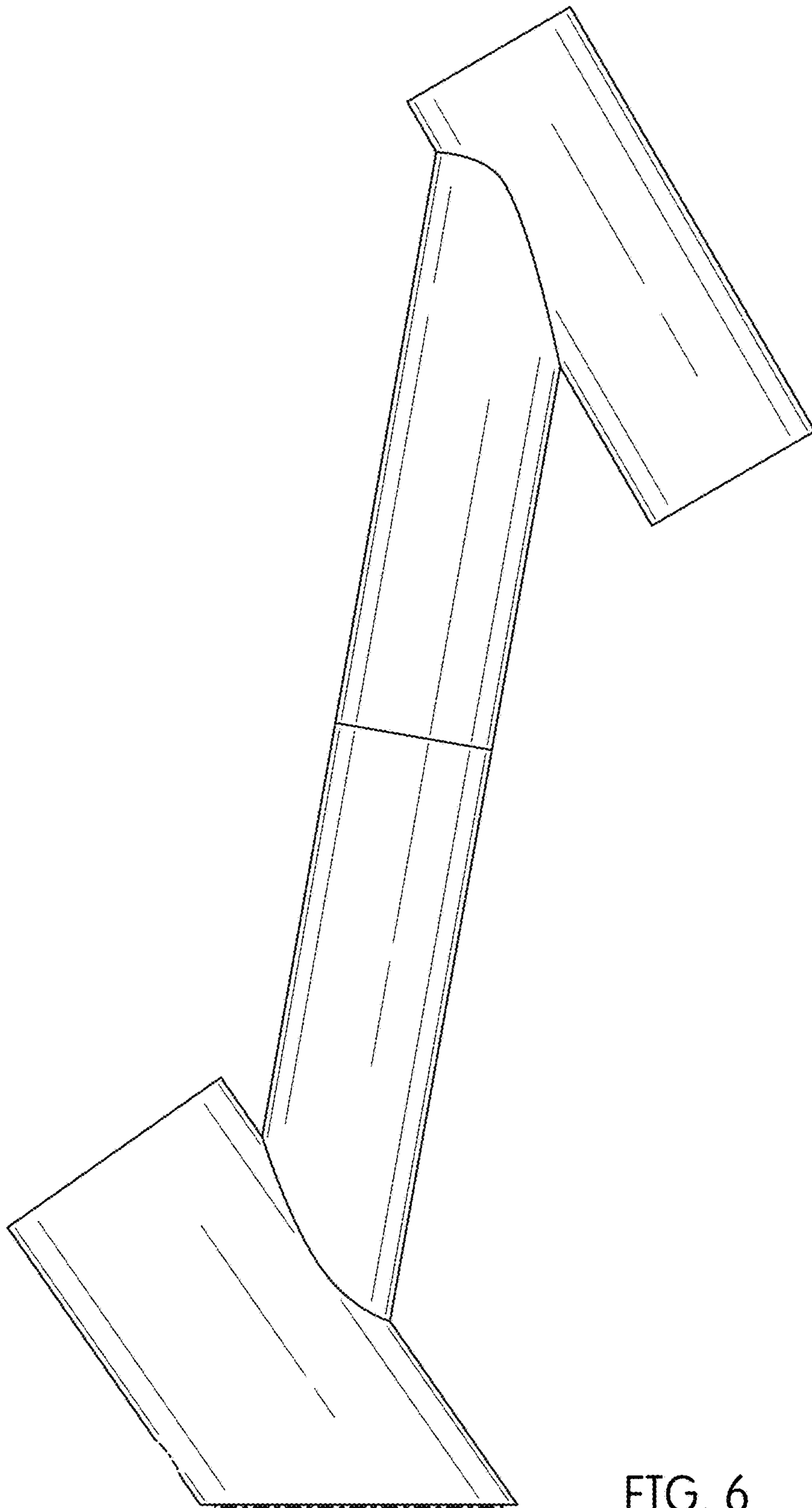


FIG. 6

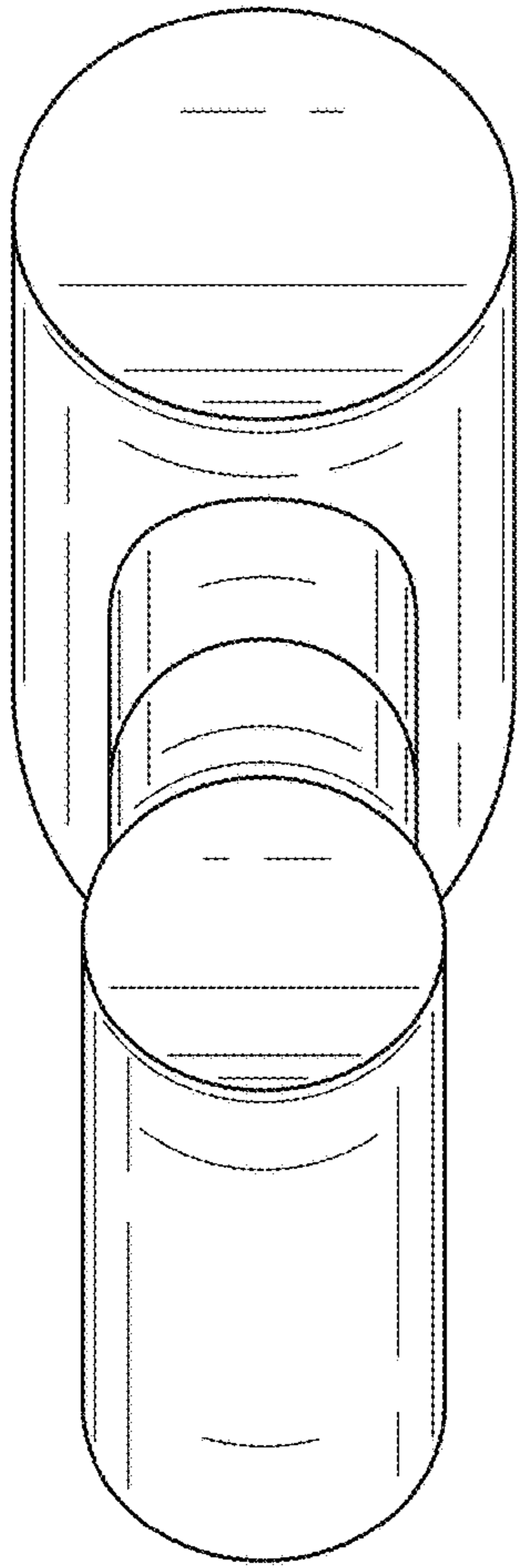


FIG. 7

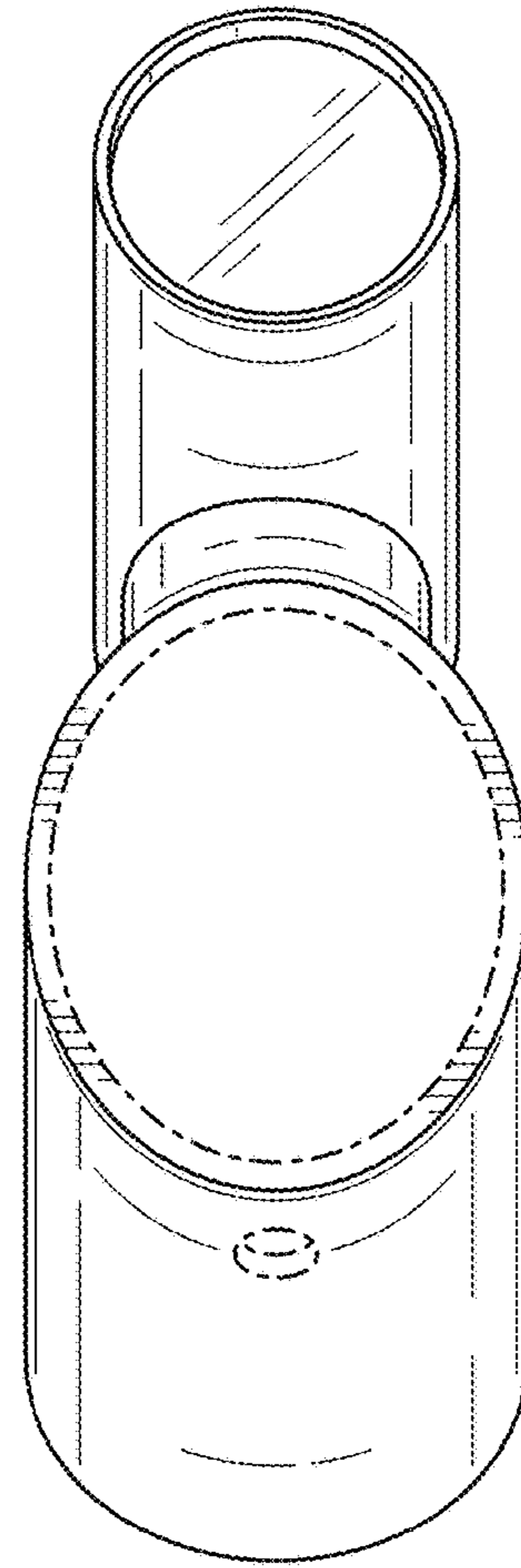


FIG. 8