



US00D790107S

(12) **United States Design Patent**  
**Wilmotte**

(10) **Patent No.:** **US D790,107 S**

(45) **Date of Patent:** **\*\* Jun. 20, 2017**

(54) **LAMP FOR OUTDOOR USE**

(71) Applicant: **Iguzzini Illuminazione S.P.A.**, Recanati (IT)

(72) Inventor: **Jean Michel Wilmotte**, Paris (FR)

(73) Assignee: **Iguzzini Illuminazione S.P.A.**, Recanati (IT)

(\*\*) Term: **15 Years**

(21) Appl. No.: **29/542,140**

(22) Filed: **Oct. 12, 2015**

(30) **Foreign Application Priority Data**

Apr. 10, 2015 (EM) ..... 002679282-0001

(51) **LOC (10) Cl.** ..... **26-05**

(52) **U.S. Cl.**  
USPC ..... **D26/92**

(58) **Field of Classification Search**

USPC ..... D26/63, 71, 92  
CPC .. F21S 8/033; F21S 8/036; F21S 8/085; F21S 8/086; F21V 21/30; F21W 2111/02  
See application file for complete search history.

(56) **References Cited**

**U.S. PATENT DOCUMENTS**

D214,584 S \* 7/1969 Routh ..... D26/63  
D225,447 S \* 12/1972 Anderson, Jr. .... D26/71  
D228,361 S \* 9/1973 Burns et al. .... D26/71  
D239,861 S \* 5/1976 Steenhoven ..... D26/71  
D556,935 S \* 12/2007 Quioque ..... D26/71  
D567,980 S \* 4/2008 Guercio ..... D26/63

D591,445 S \* 4/2009 Guercio ..... D26/71  
D617,033 S \* 6/2010 Gaskins ..... D26/71  
D676,177 S \* 2/2013 Akinrele ..... D26/71  
D717,989 S \* 11/2014 Heim ..... D26/71  
D762,905 S \* 8/2016 Zhang ..... D26/71  
D770,660 S \* 11/2016 Yang ..... D26/71

**OTHER PUBLICATIONS**

Platea-Pro from iguzzini.com, visited Dec. 20, 2016. (4 pages).\*

\* cited by examiner

*Primary Examiner* — Clare E Heflin

(74) *Attorney, Agent, or Firm* — Stetina Brunda Garred & Brucker

(57) **CLAIM**

The ornamental design for a lamp for outdoor use, as shown and described.

**DESCRIPTION**

FIG. 1 is a front perspective view of the lamp for outdoor use of the present invention showing my new design, with the dotted lines depicting portions of the lamp that form no part of the claimed design;

FIG. 2 is a front view thereof;

FIG. 3 is a right view thereof;

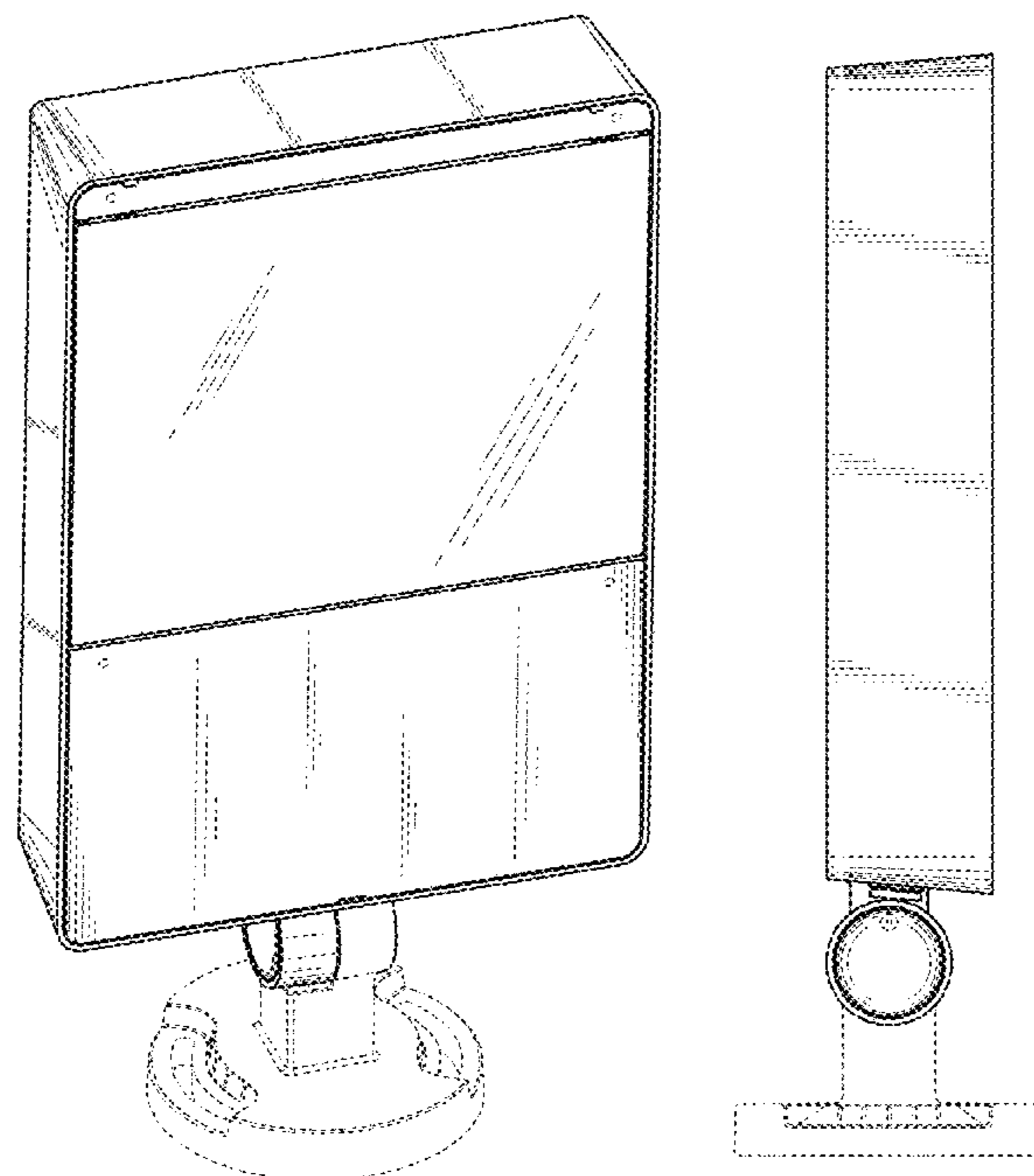
FIG. 4 is a left view thereof;

FIG. 5 is a back view thereof;

FIG. 6 is a top view thereof; and,

FIG. 7 is a bottom view thereof.

**1 Claim, 7 Drawing Sheets**



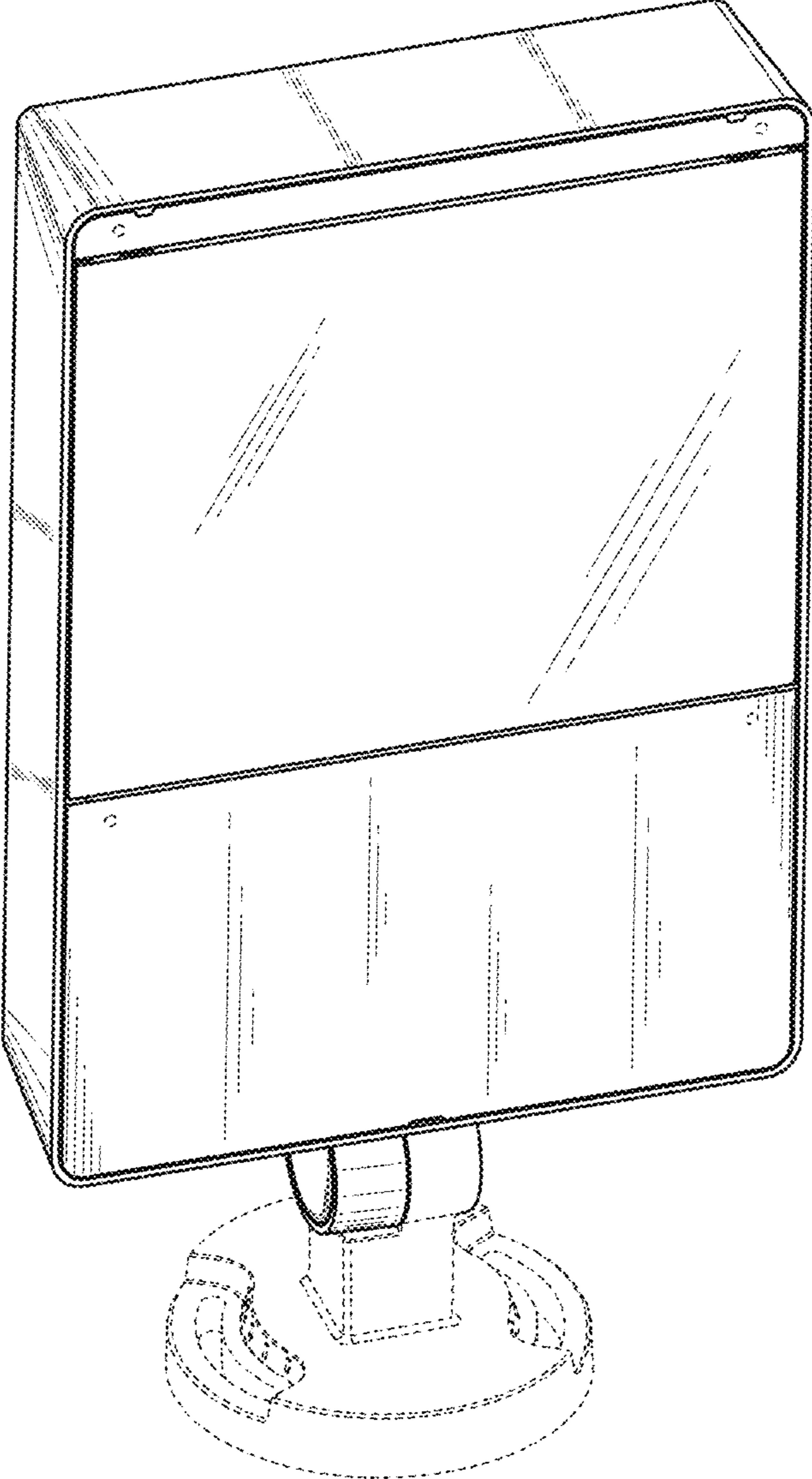


Fig. 1

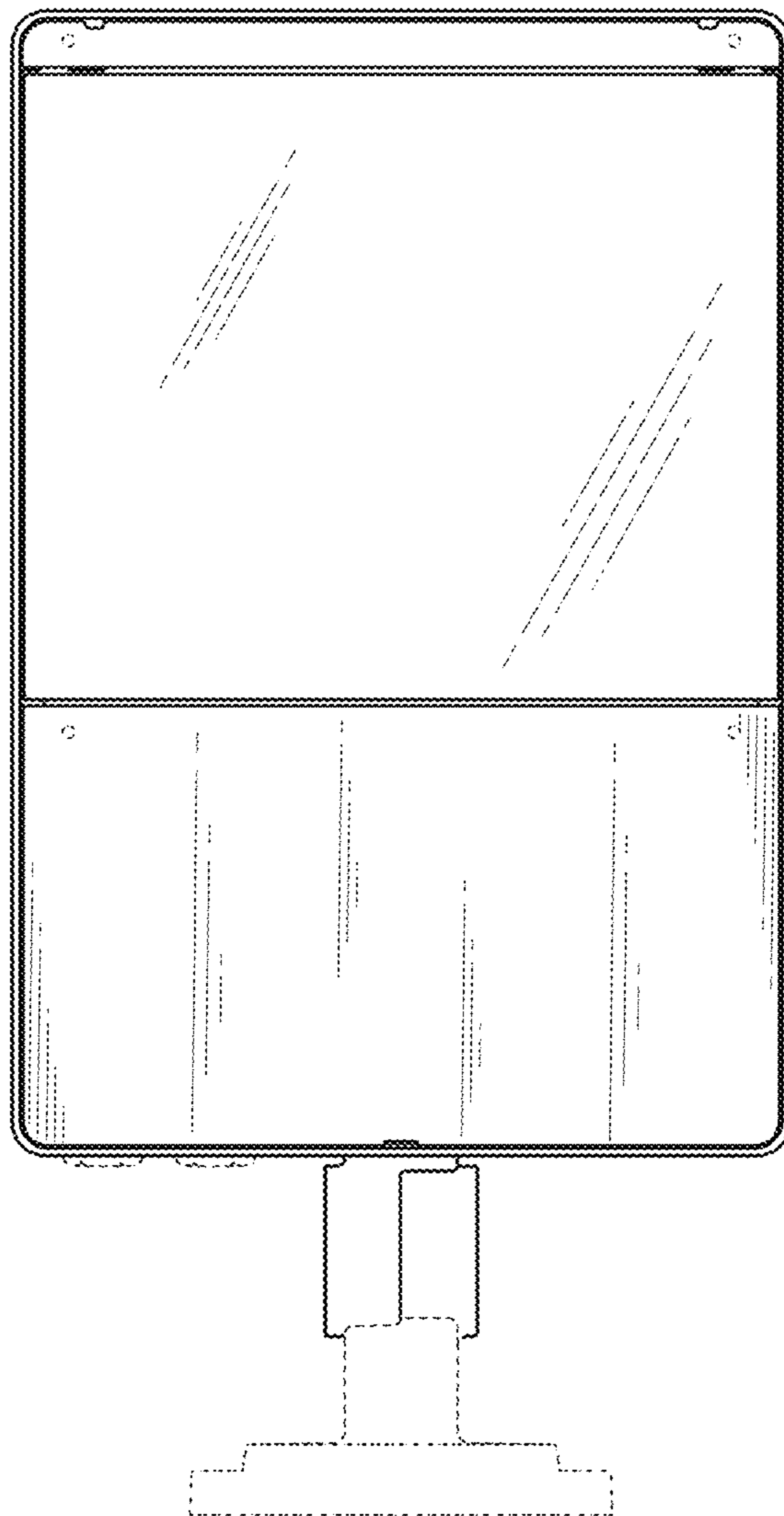


Fig. 2

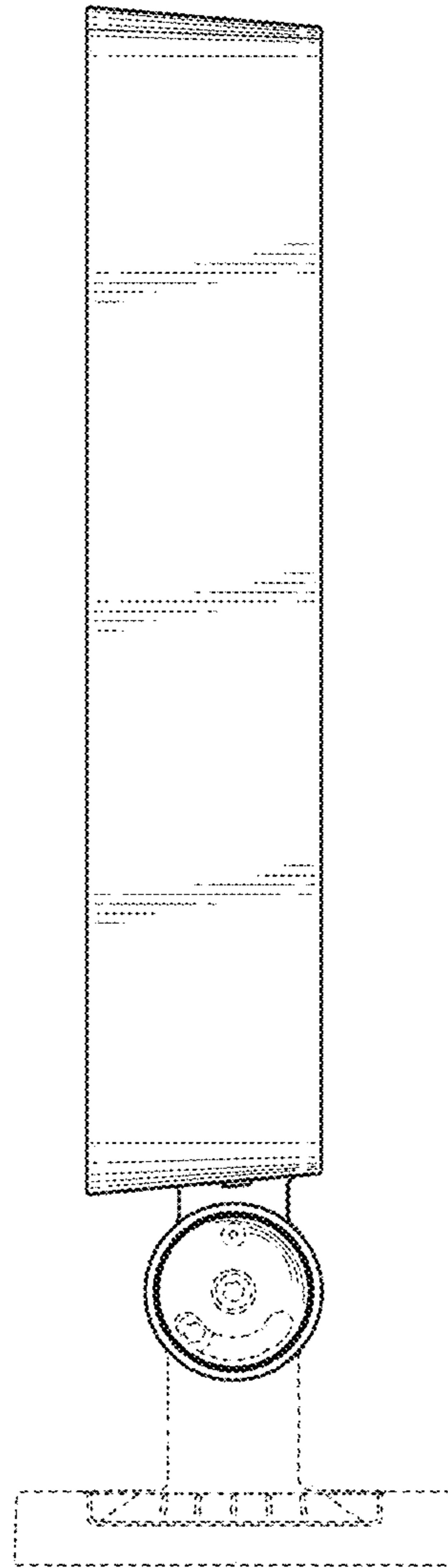


Fig. 3

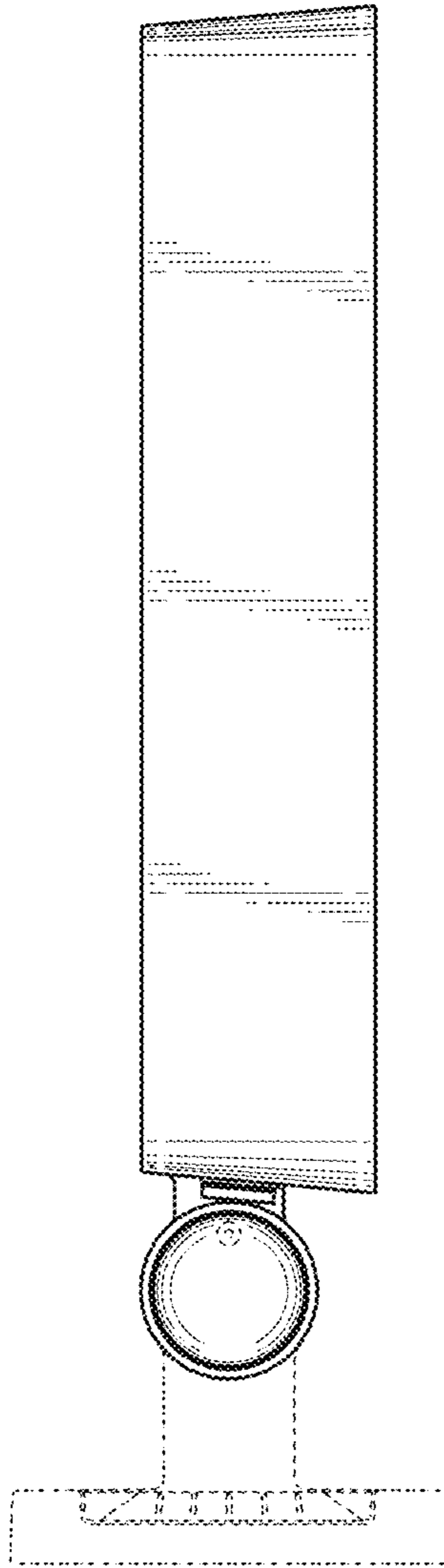


Fig. 4

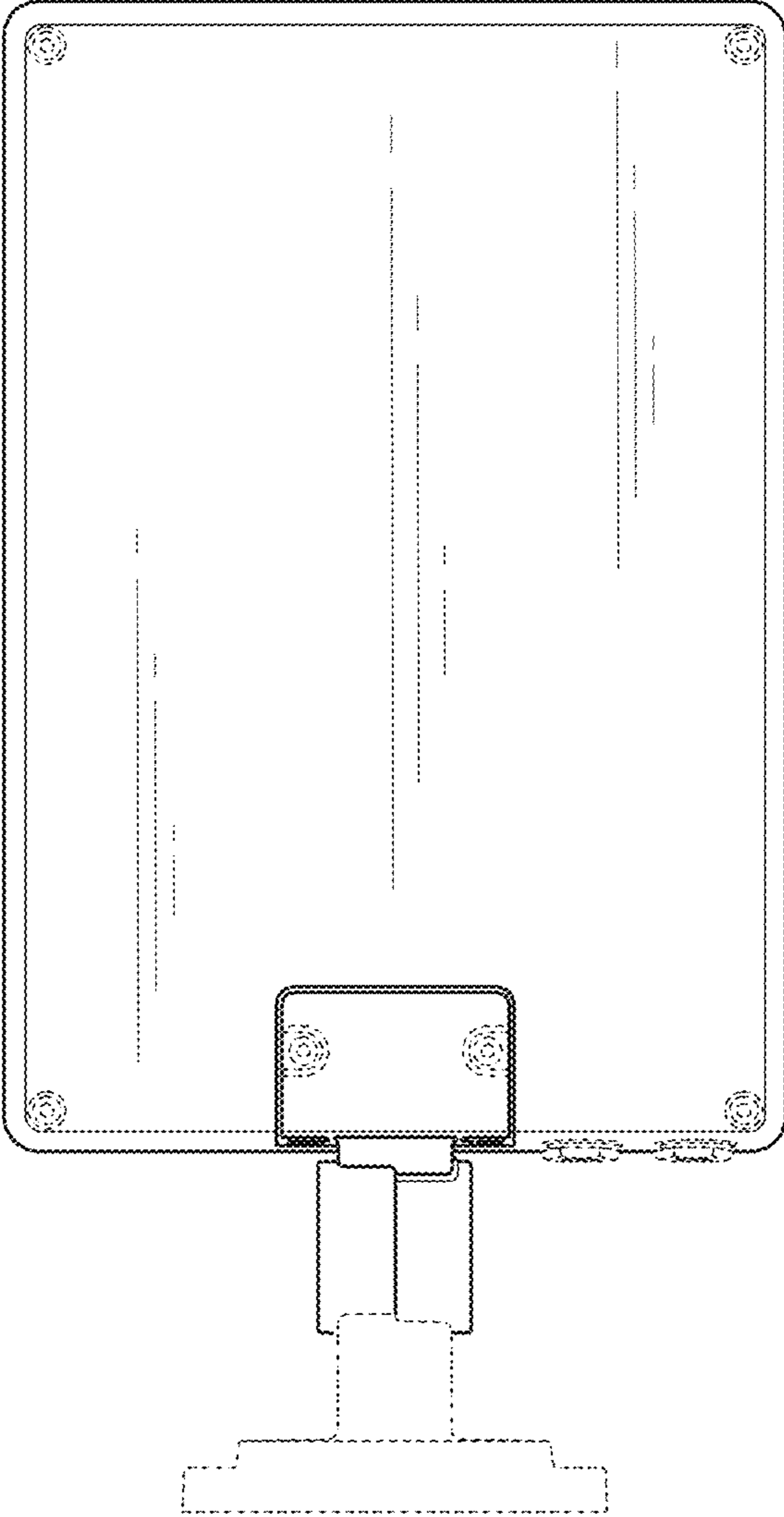


Fig. 5

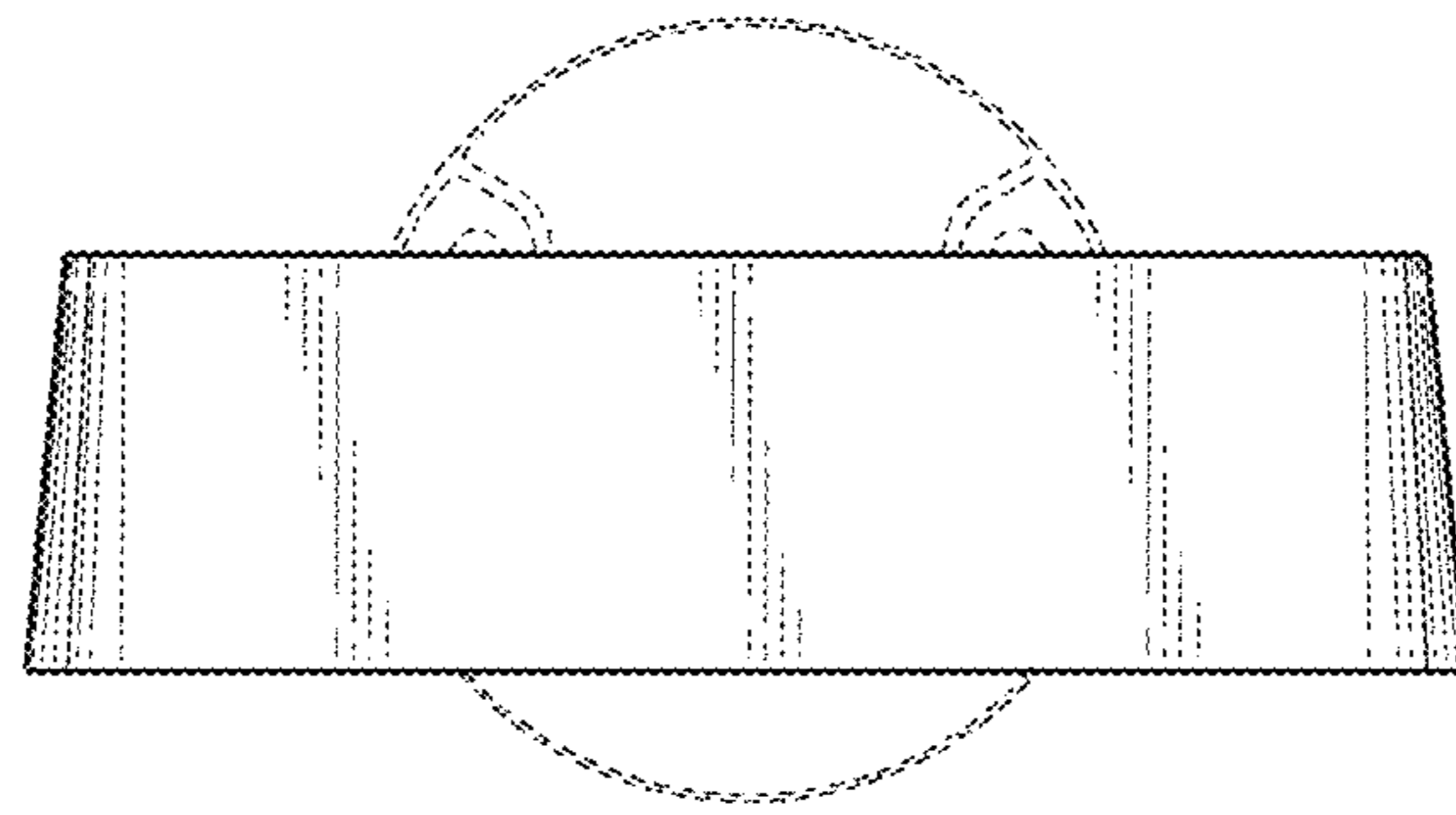


Fig. 6

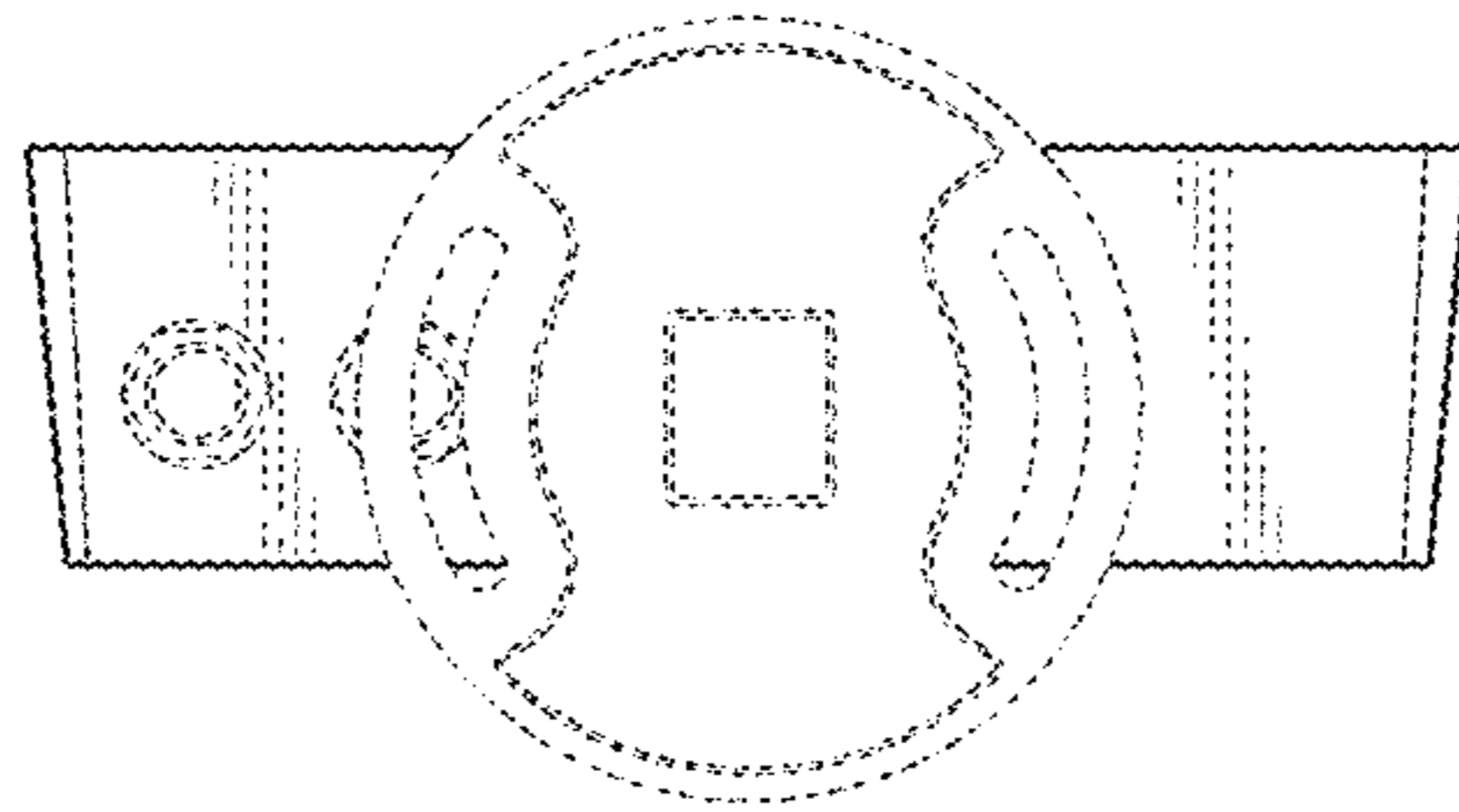


Fig. 7