



US00D790106S

(12) **United States Design Patent**
Lee et al.

(10) **Patent No.:** **US D790,106 S**
(45) **Date of Patent:** **** Jun. 20, 2017**

- (54) **LIGHTING FIXTURE**
- (71) Applicant: **Ladies & Gentlemen Studio, Inc.**,
Brooklyn, NY (US)
- (72) Inventors: **Jean Hui Chun Lee**, Brooklyn, NY
(US); **Dylan Davis**, Brooklyn, NY (US)
- (73) Assignee: **Ladies & Gentlemen Studio, Inc.**,
Brooklyn, NY (US)
- (**) Term: **15 Years**
- (21) Appl. No.: **29/573,084**
- (22) Filed: **Aug. 2, 2016**

2,063,504	A *	12/1936	Horwitt	F21V 1/00
					362/320
2,308,009	A *	1/1943	Hood et al.	F21V 7/00
					362/347
D167,268	S *	7/1952	Lordo	D26/24
D240,335	S *	6/1976	Steinhart	D26/6
D307,641	S *	5/1990	De'Armond	D26/136
D356,180	S *	3/1995	Benghozi	D26/110
5,420,773	A *	5/1995	Huang	F21S 6/002
					362/352
D432,707	S *	10/2000	Brunner	D26/118
6,450,672	B2 *	9/2002	Gismondi	F21S 6/002
					362/269
D570,030	S *	5/2008	Starck	D26/84
D641,096	S *	7/2011	Markle	D26/88
D660,504	S *	5/2012	Martin	D26/136
D715,986	S *	10/2014	Anastassiades	D26/88
D734,530	S *	7/2015	Cocksedge	D26/112
D766,491	S *	9/2016	Lee	D26/88

Related U.S. Application Data

- (62) Division of application No. 29/524,770, filed on Apr. 23, 2015, now Pat. No. Des. 766,491.
- (51) **LOC (10) Cl.** **26-03**
- (52) **U.S. Cl.**
USPC **D26/88; D26/84**
- (58) **Field of Classification Search**
USPC D26/80-91, 118, 152, 155
CPC F21S 8/03; F21S 8/033; F21S 8/036; F21S
8/04; F21S 8/043; F21S 8/046; F21S
8/06; F21S 8/061; F21S 8/063; F21S
8/065; F21S 8/068; F21V 1/04; F21V
1/06; F21V 1/12; F21V 3/02; F21V
3/023; F21V 5/06
See application file for complete search history.

References Cited

U.S. PATENT DOCUMENTS

- (56) D29,366 S * 9/1898 MacIntire D26/88
- 999,813 A * 8/1911 Losey F21S 6/002
- 1,950,130 A * 3/1934 Barlow F21S 6/005
- 362/298
- 362/300

* cited by examiner

Primary Examiner — Clare E Heflin

(74) *Attorney, Agent, or Firm* — Timothy W. Menasco,
Esq.; Harter Secrest & Emery LLP

(57) **CLAIM**

The ornamental design for a lighting fixture, as shown and described.

DESCRIPTION

FIG. 1 is a front perspective view of a lighting fixture in accordance with the present invention;
 FIG. 2 is a front view thereof;
 FIG. 3 is a right side view thereof;
 FIG. 4 is a rear view thereof;
 FIG. 5 is a left side view thereof;
 FIG. 6 is a top view thereof; and,
 FIG. 7 is a bottom view thereof.

The broken lines shown on the drawings depict portions of the lighting fixture that form no part of the claimed design.

1 Claim, 6 Drawing Sheets



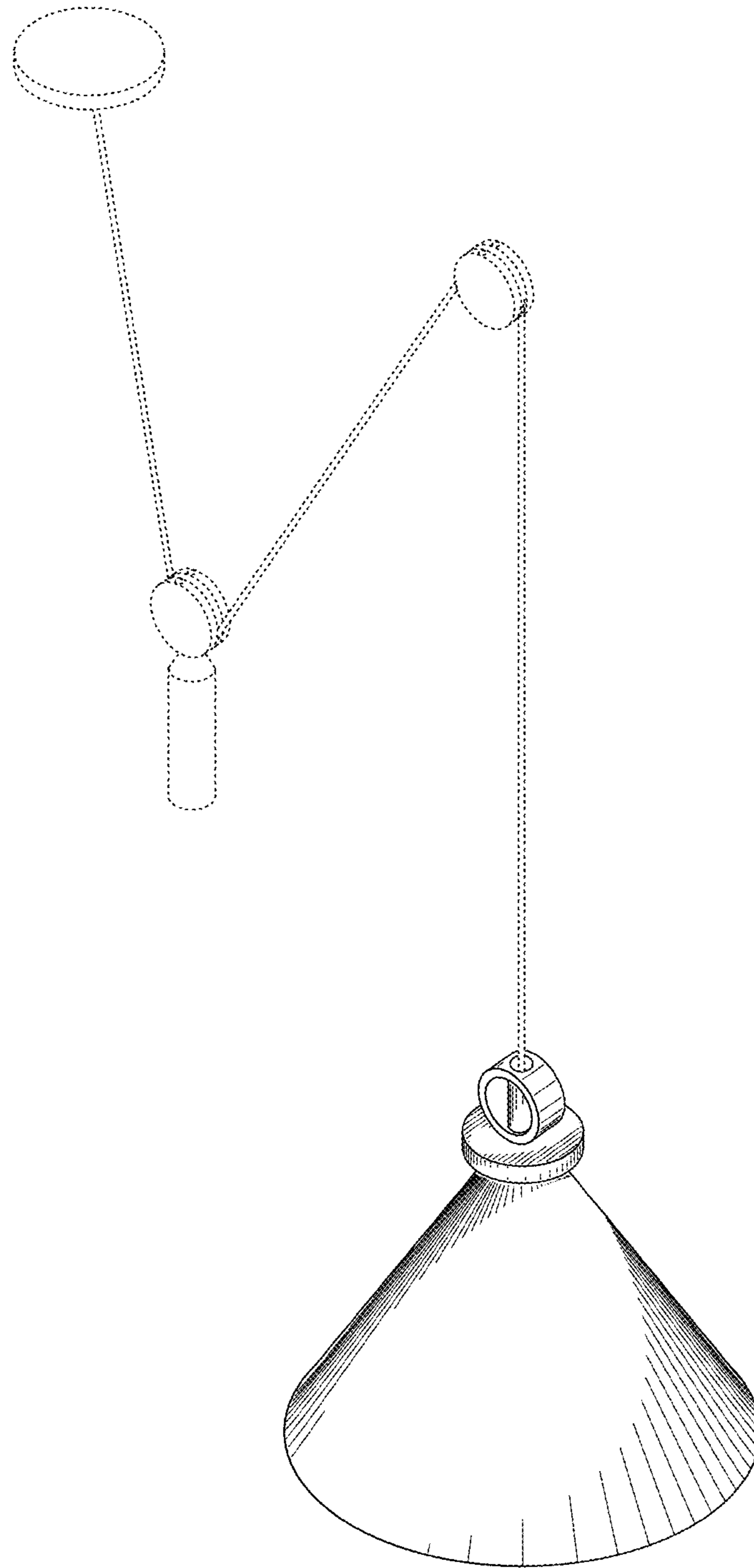


FIG. 1

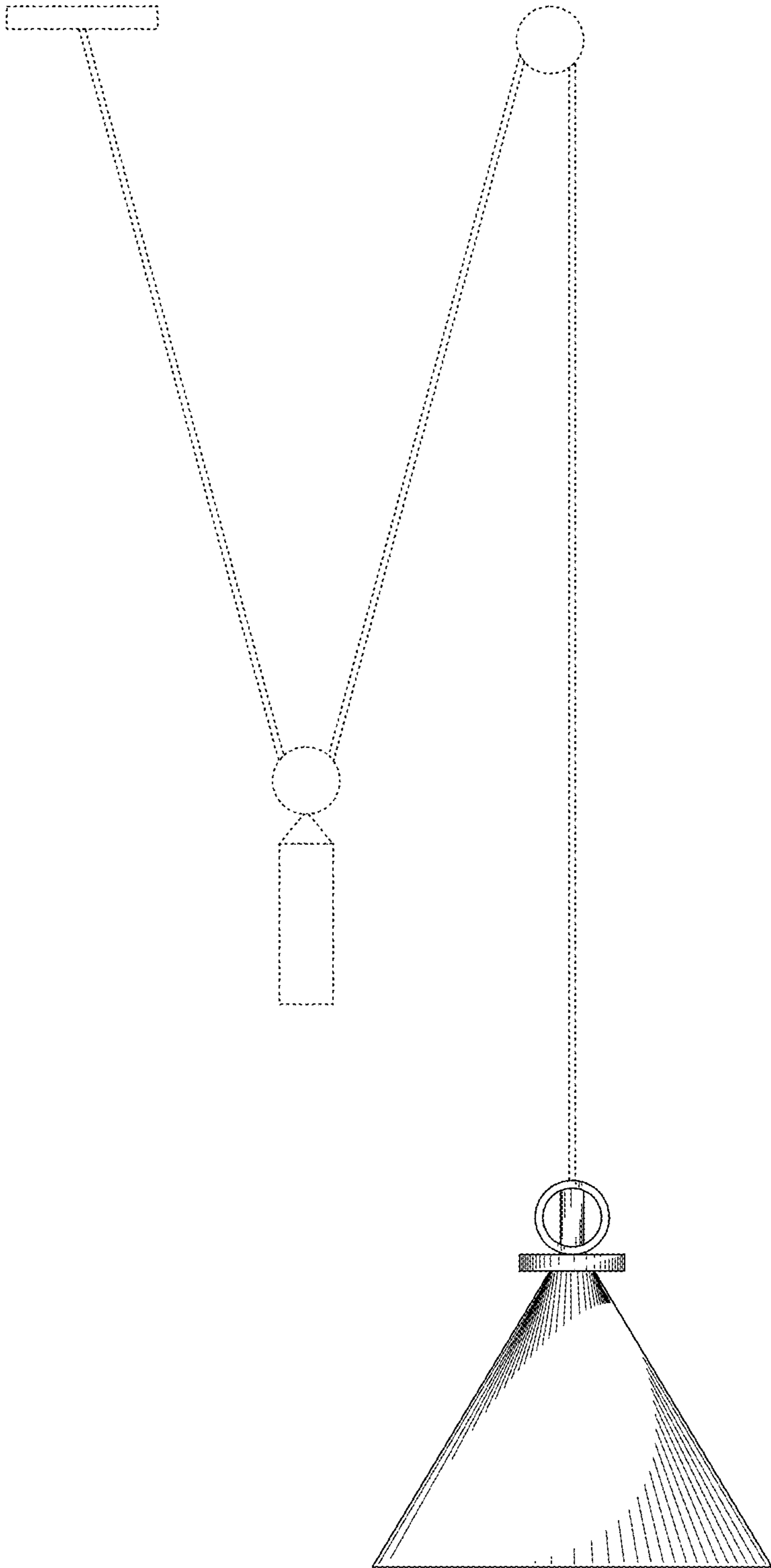


FIG. 2

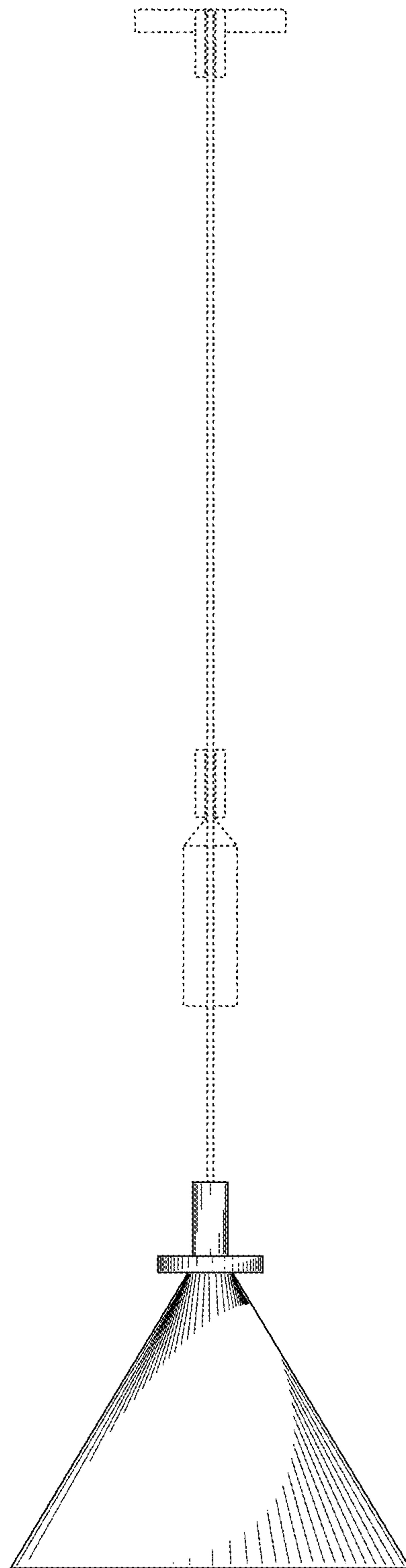


FIG. 3

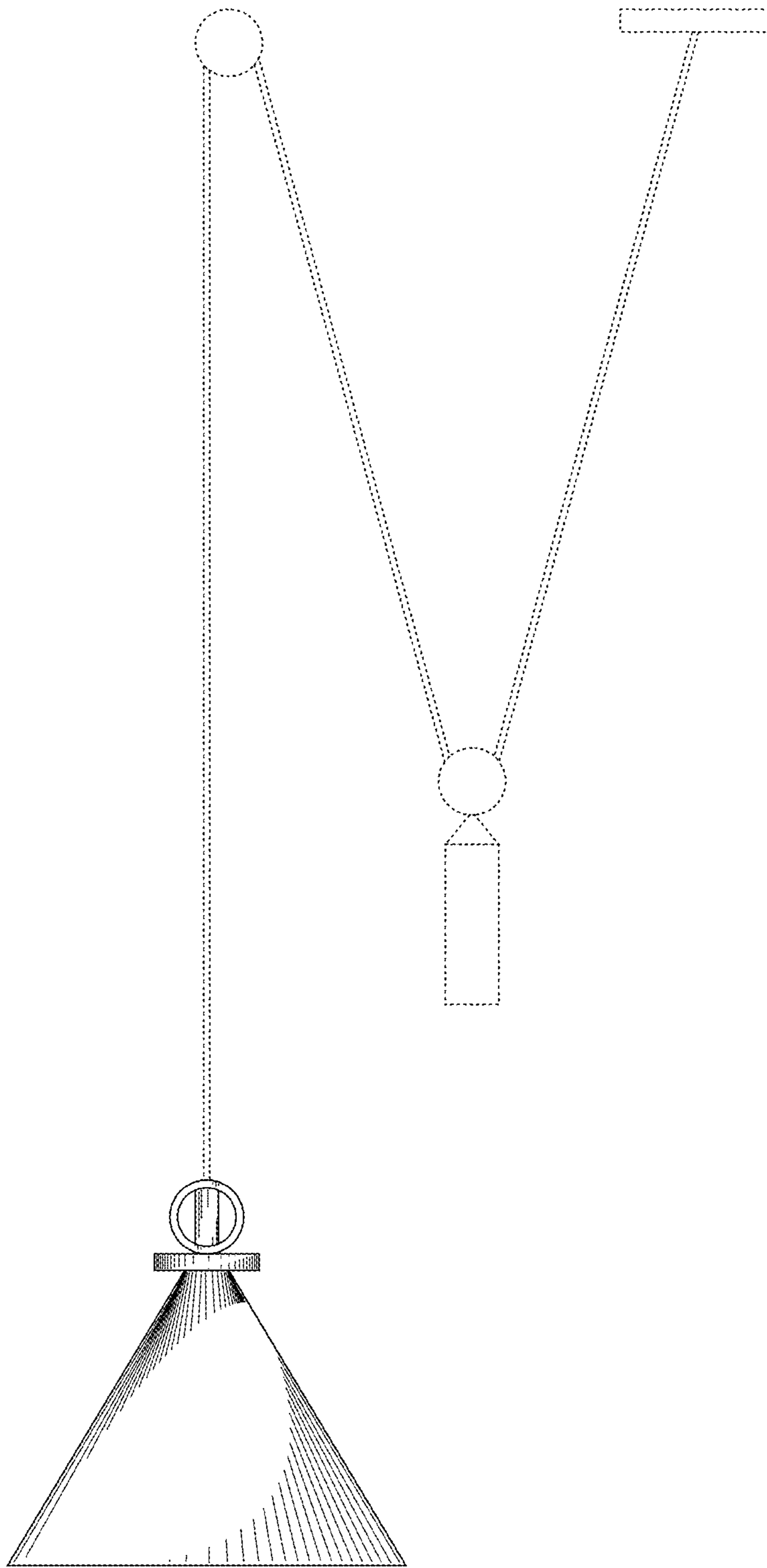


FIG. 4

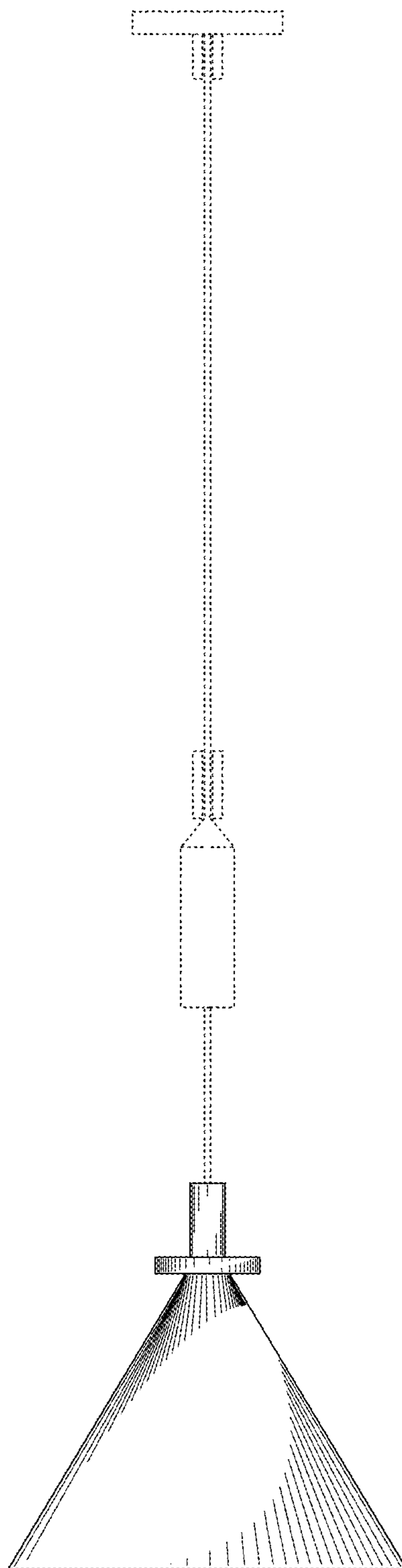


FIG. 5

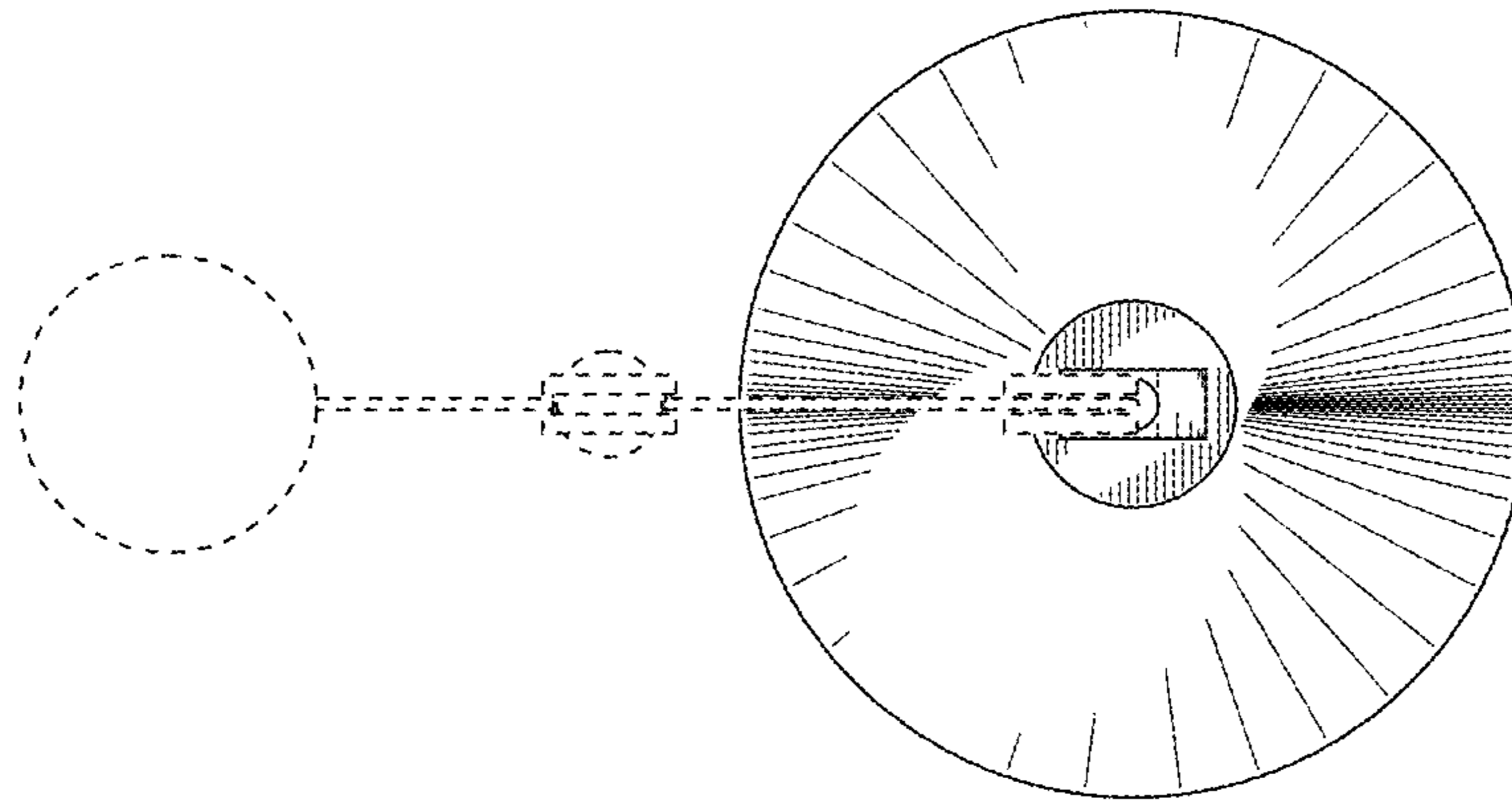


FIG. 6

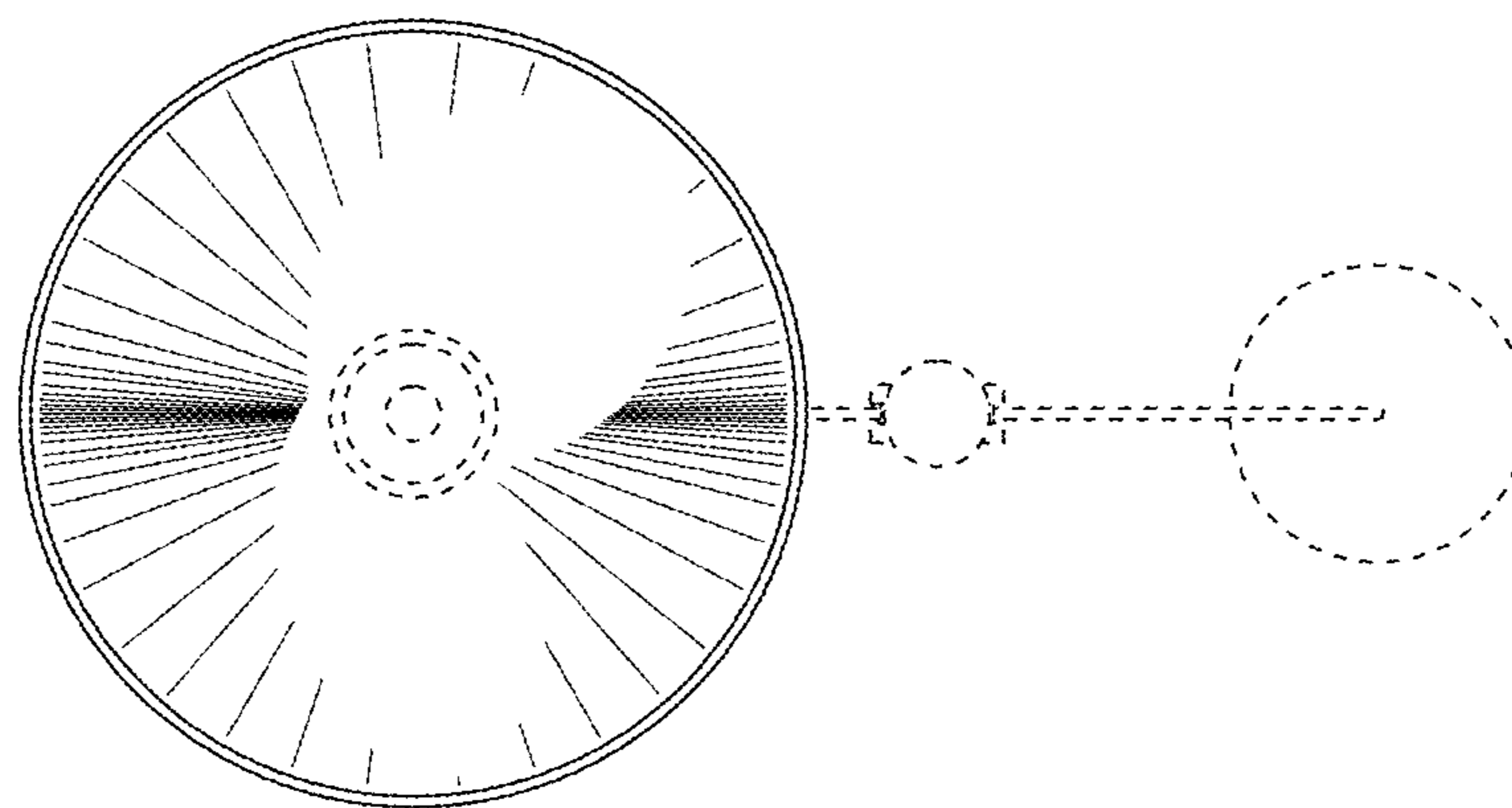


FIG. 7