



US00D790105S

(12) **United States Design Patent**
Tran et al.

(10) **Patent No.:** **US D790,105 S**
(45) **Date of Patent:** **** Jun. 20, 2017**

(54) **LUMINAIRE**

(71) Applicant: **ABL IP Holding, LLC**, Conyers, GA
(US)

(72) Inventors: **Michael Trung Tran**, Oakland, CA
(US); **Peter Y. Y. Ngai**, Alamo, CA
(US)

(73) Assignee: **ABL IP Holding, LLC**, Conyers, GA
(US)

(**) Term: **15 Years**

(21) Appl. No.: **29/544,229**

(22) Filed: **Oct. 30, 2015**

(51) **LOC (10) Cl.** **26-03**

(52) **U.S. Cl.**
USPC **D26/87**

(58) **Field of Classification Search**
USPC D26/72, 76, 80, 90, 107, 118, 120;
D10/114.4

CPC F21S 2/005; F21S 4/28; F21V 21/0832;
Y10S 362/806

See application file for complete search history.

(56) **References Cited**

U.S. PATENT DOCUMENTS

D328,361 S *	7/1992	Paproski	D26/106
D595,446 S *	6/2009	Pedersen	D26/84
D618,378 S *	6/2010	Huang	D26/93
D639,490 S *	6/2011	Huang	D26/93
D640,824 S *	6/2011	Wang	D26/93
D676,997 S *	2/2013	Tang	D26/87
D700,989 S *	3/2014	Rampolla	D26/88
D703,864 S *	4/2014	Blum	D26/118
D724,250 S	3/2015	Tran et al.		
D730,560 S	5/2015	Tran et al.		
D736,447 S *	8/2015	Rampolla	D26/107
D743,086 S *	11/2015	Blum	D26/120
D745,735 S *	12/2015	Tran	D26/80

D759,289 S *	6/2016	Newhouse	D26/107
D759,876 S *	6/2016	Blum	D26/88
D762,911 S *	8/2016	Blum	D26/88
D769,512 S *	10/2016	Edgar	D26/107
2016/0061393 A1	3/2016	Ngai		

OTHER PUBLICATIONS

Visionox prototype desk lamp shown in Figure 2 of article titled "The Future of OLED Lighting" dated Jul. 21, 2010. Found at led-professional.com, visited Feb. 18, 2016.*

* cited by examiner

Primary Examiner — Clare E Heflin

(74) *Attorney, Agent, or Firm* — Beeson Skinner Beverly, LLP

(57) **CLAIM**

The ornamental design for a luminaire, as shown and described.

DESCRIPTION

FIG. 1 is a front perspective view of a luminaire showing our new design;

FIG. 2 is a rear perspective view thereof;

FIG. 3 is a front end elevational view thereof;

FIG. 4 is a right side elevational view thereof, the left side being a mirror image;

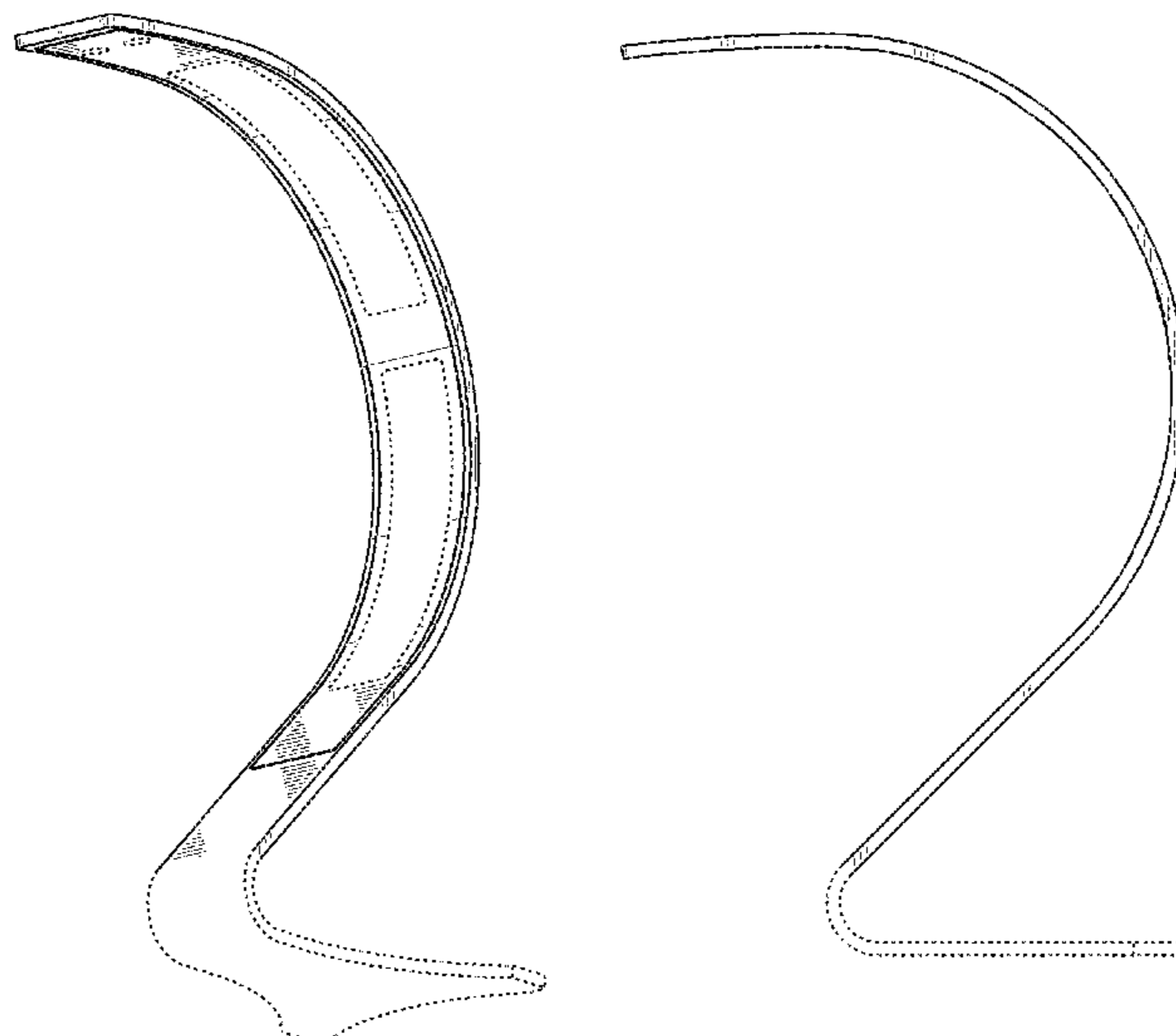
FIG. 5 is a rear end elevational view thereof;

FIG. 6 is a top plan view thereof; and,

FIG. 7 is a bottom plan view thereof.

The large broken line rectangles shown in FIGS. 1 and 3 represent organic light emitting diode (OLED) panels in the front of the luminaire; the small broken line circles at the top of the luminaire shown in FIGS. 1 and 7 represent openings for small LED lights; and the broken line structure at the bottom of the luminaire shown in FIGS. 1-7 represent a base plate for supporting the luminaire on a surface. The broken line structures form no part of our claimed design.

1 Claim, 4 Drawing Sheets



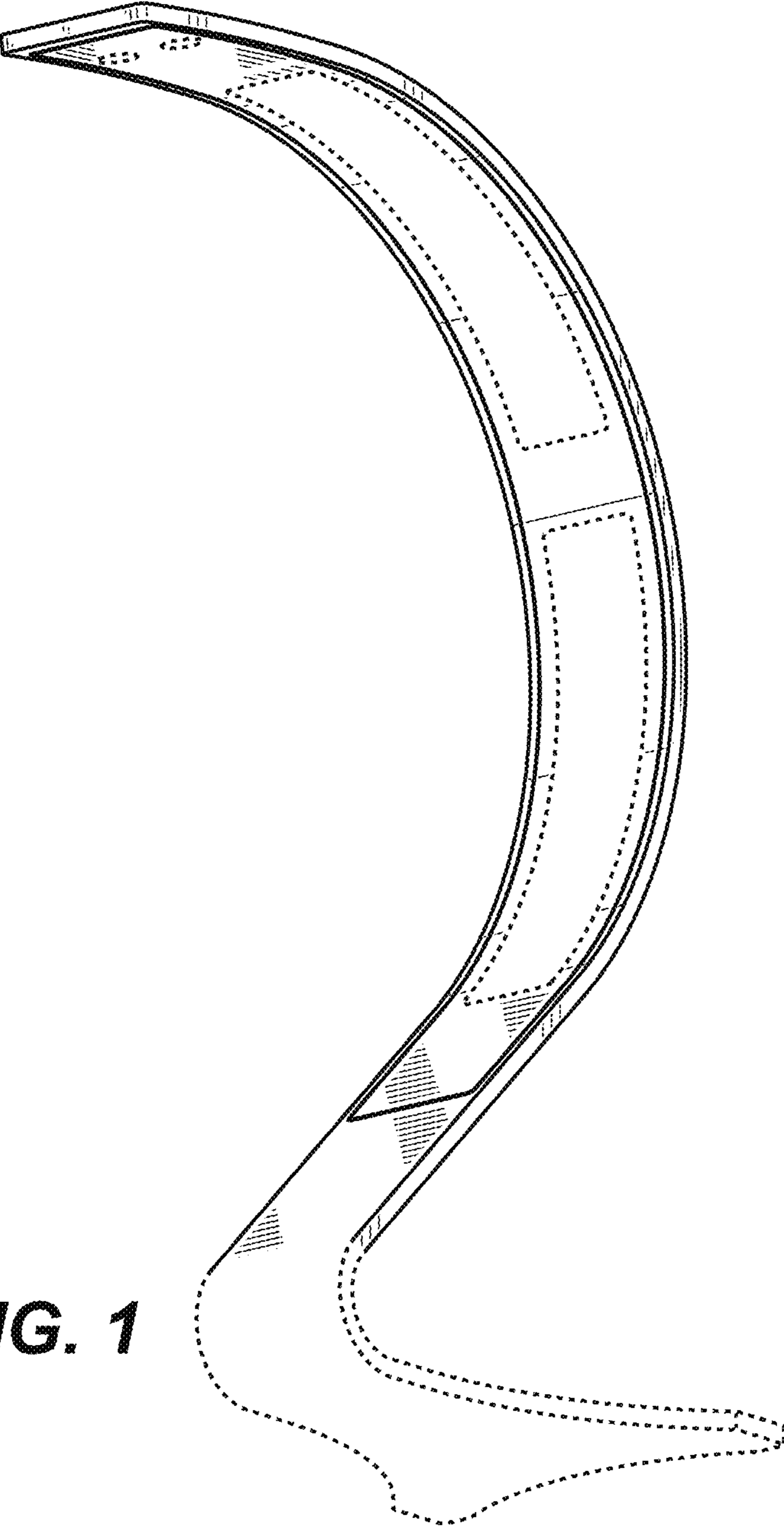


FIG. 1

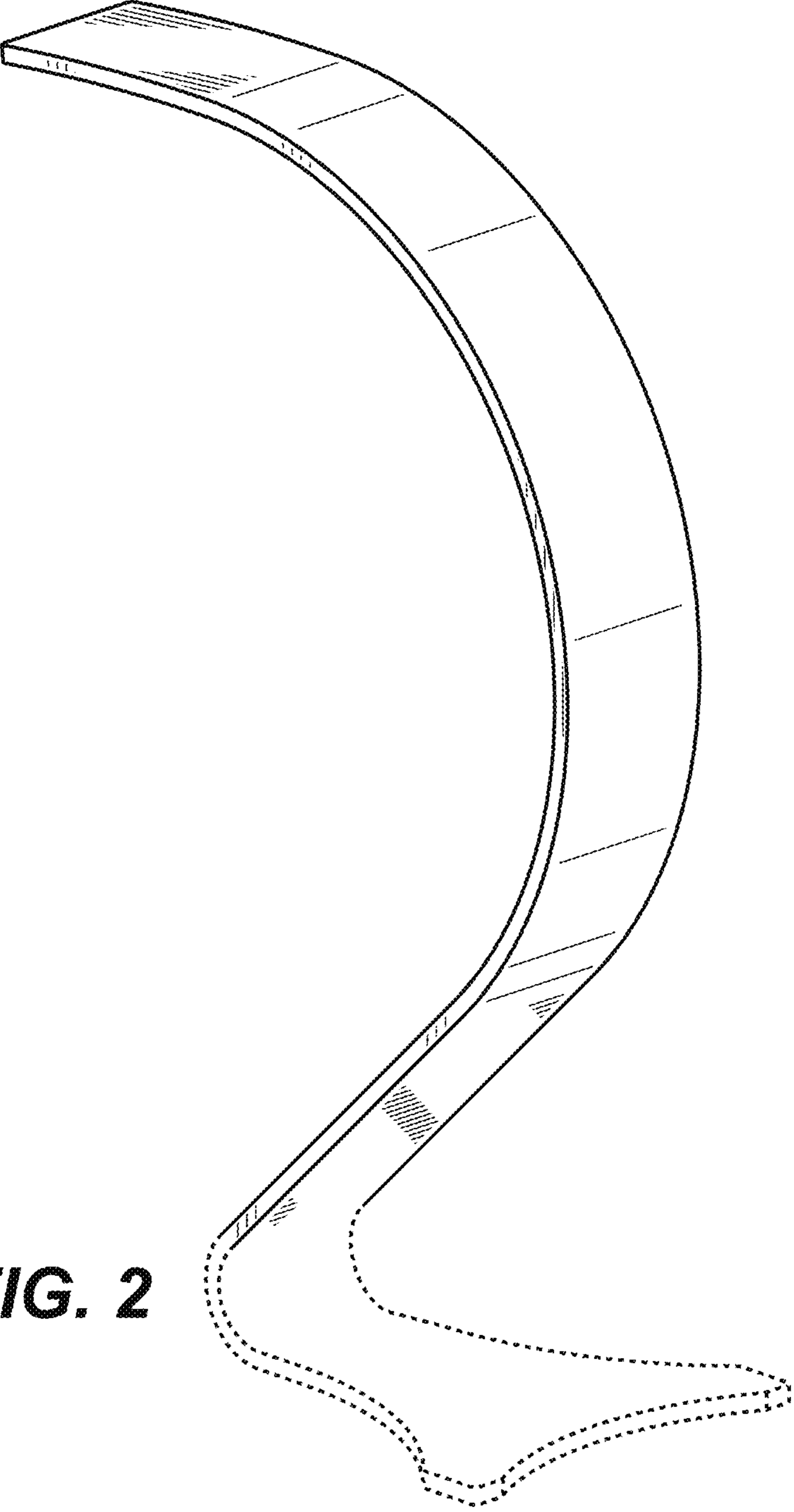


FIG. 2

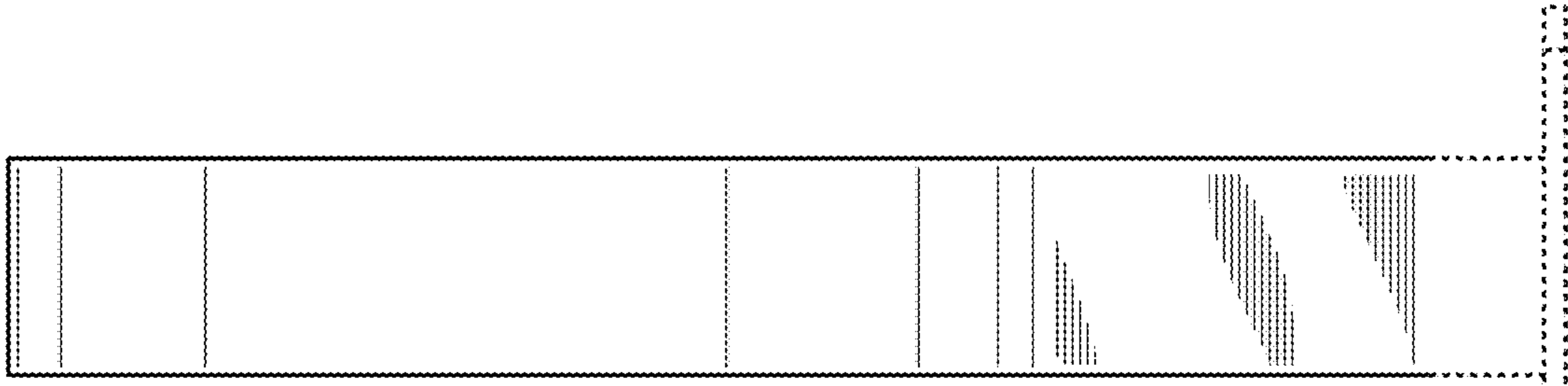


FIG. 5

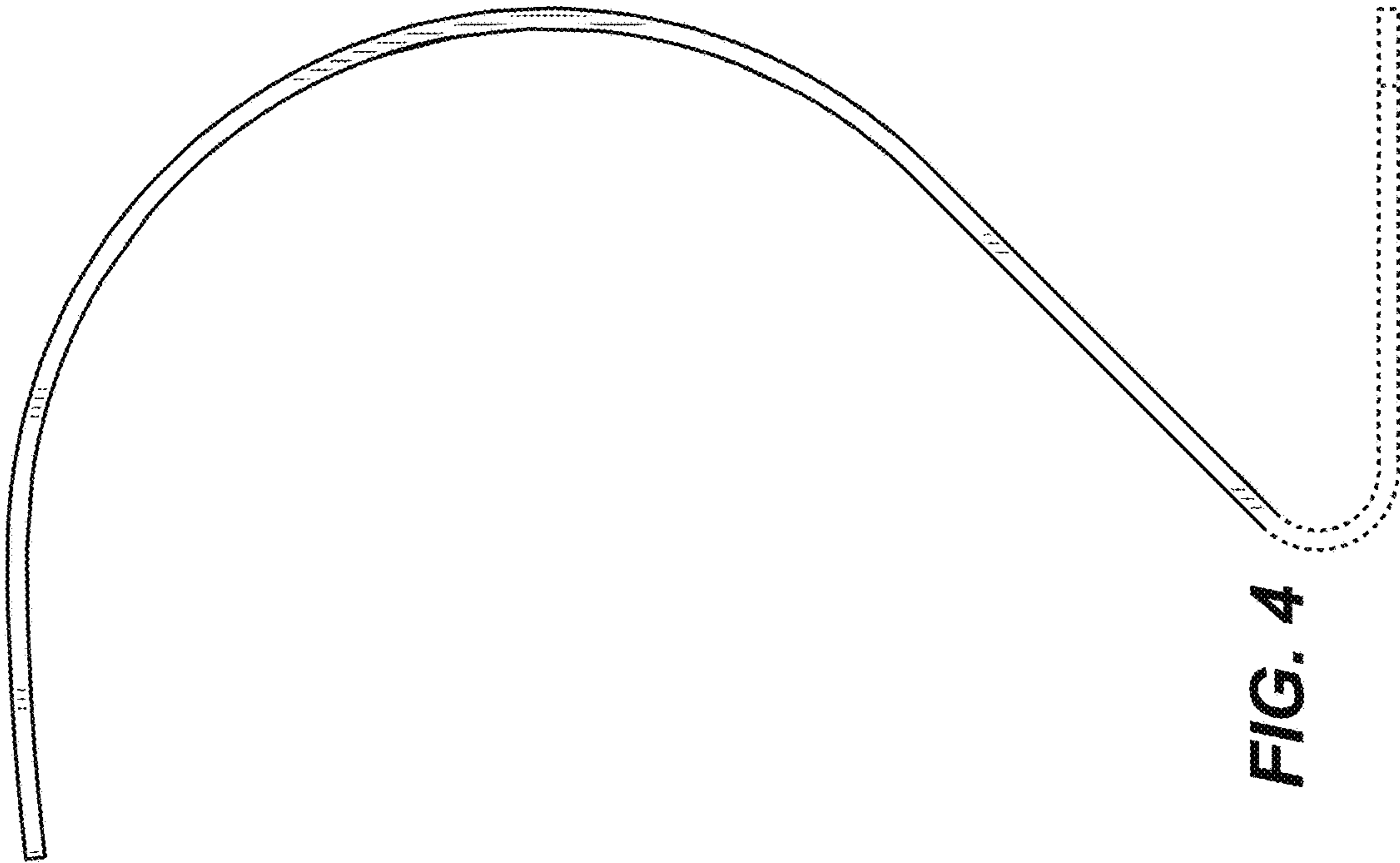


FIG. 4

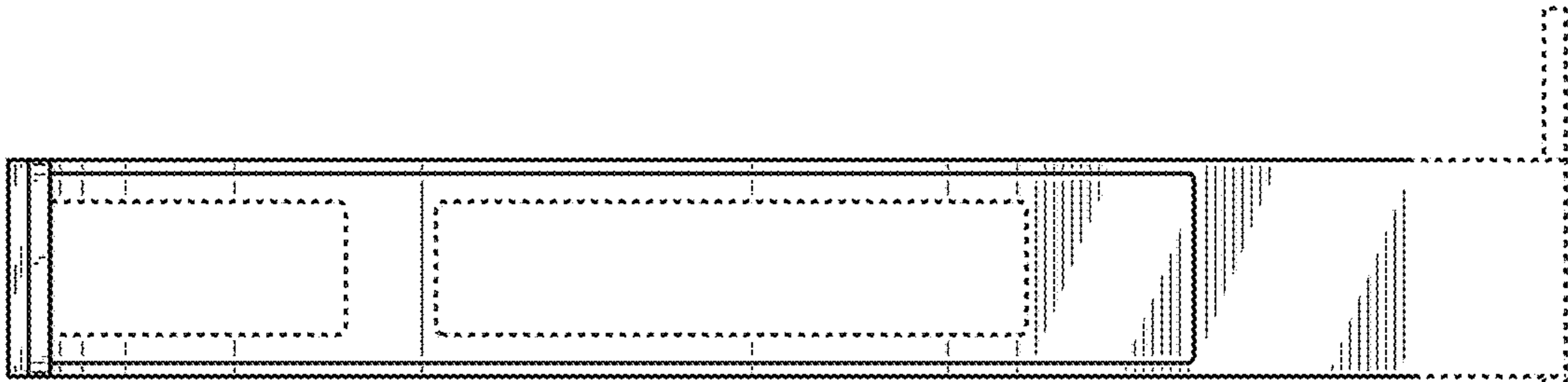


FIG. 3

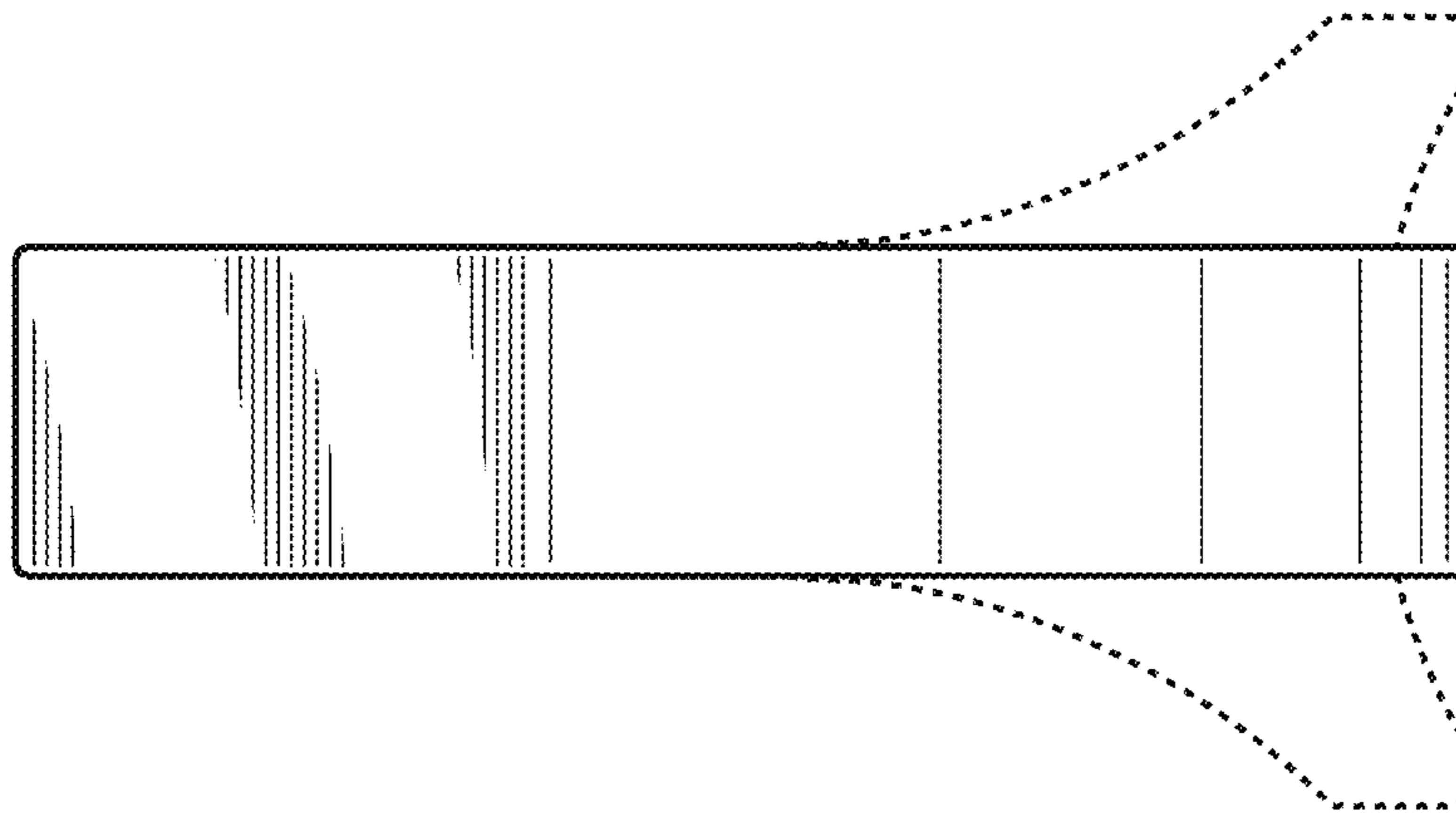


FIG. 6

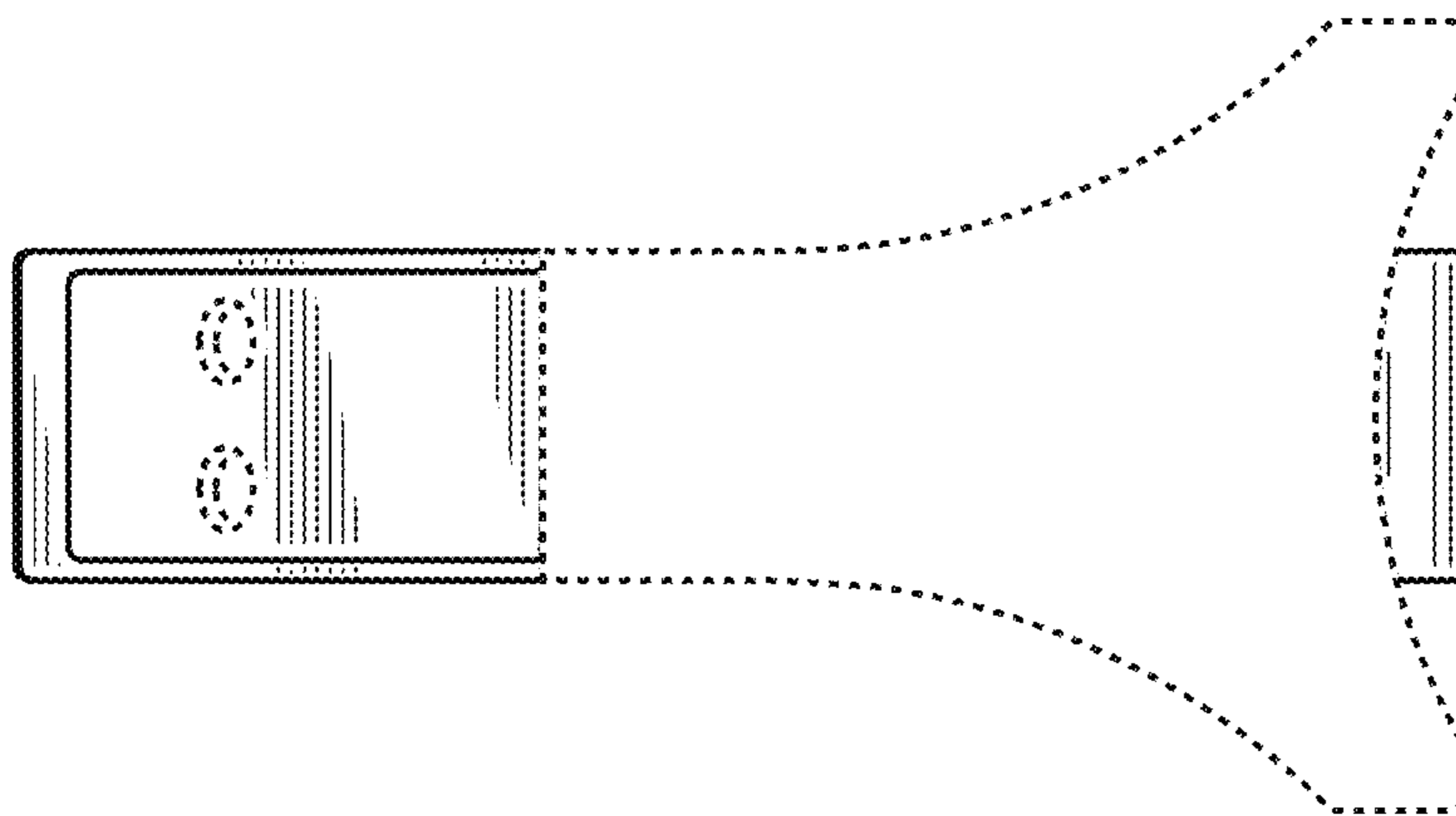


FIG. 7