



US00D790103S

(12) **United States Design Patent**
Czech et al.

(10) **Patent No.:** **US D790,103 S**
(45) **Date of Patent:** **** Jun. 20, 2017**

(54) **LIGHT FIXTURE**

(71) Applicant: **Focal Point, LLC**, Chicago, IL (US)

(72) Inventors: **Ken Czech**, Naperville, IL (US);
Michael David SanFacon, Naperville,
IL (US); **Krutin S. Desai**, Chicago, IL
(US)

(73) Assignee: **Focal Point, LLC**, Chicago, IL (US)

(**) Term: **15 Years**

(21) Appl. No.: **29/540,825**

(22) Filed: **Sep. 28, 2015**

(51) **LOC (10) Cl.** **26-99**

(52) **U.S. Cl.**
USPC **D26/76**

(58) **Field of Classification Search**
USPC D26/71, 72, 75, 76, 78, 79, 80, 81, 82,
D26/83, 85, 86, 88, 90, 113, 118, 119,
D26/120, 121, 122, 138
CPC F21S 2/00; F21S 4/00; F21S 4/003; F21S
4/005; F21S 4/006; F21S 4/007; F21S
4/008; F21S 6/00; F21S 8/00; F21S
8/024; F21S 8/026; F21S 8/031; F21S
8/033; F21S 8/035-8/037; F21S 8/04;
F21S 8/043; F21S 8/063

See application file for complete search history.

(56) **References Cited**

U.S. PATENT DOCUMENTS

D437,446 S *	2/2001	Reo	D26/91
D452,995 S *	1/2002	Barry	D6/300
D491,687 S *	6/2004	Thornton, Jr.	D26/76
D493,244 S *	7/2004	Engel	D26/76
D592,347 S *	5/2009	Trott	D26/118
D592,348 S *	5/2009	Trott	D26/118
D597,241 S *	7/2009	Fabbri	D26/74
D613,074 S *	4/2010	Dathe	D6/300

D632,008 S *	2/2011	Kim	D26/120
D645,193 S *	9/2011	Chung	D26/75
D650,509 S *	12/2011	Wegger	D26/90
D654,703 S *	2/2012	LeMay	D6/300
D660,498 S *	5/2012	Chung	D26/75
D664,700 S *	7/2012	Ferguson	D26/76
D679,437 S *	4/2013	Watt	D26/74
D731,189 S *	6/2015	Kim	D6/300
D737,500 S *	8/2015	Santoro	D26/120
D738,032 S *	9/2015	Maxik	D26/118
D747,109 S *	1/2016	Shay-Puetzer	D6/300

(Continued)

OTHER PUBLICATIONS

Finelite, Inc., "E1-Indirect Configuration," Elements of Design E1 LED Indirect Brochure, Dec. 21, 2015, p. 2, published 2014.

(Continued)

Primary Examiner — George D Kirschbaum

Assistant Examiner — Natasha Vujcic

(74) *Attorney, Agent, or Firm* — Banner & Witcoff, Ltd.

(57) **CLAIM**

The ornamental design for a light fixture, as shown and described.

DESCRIPTION

FIG. 1 is a first perspective view of a light fixture showing our new design;

FIG. 2 is a second perspective view thereof;

FIG. 3 is a top view thereof; and,

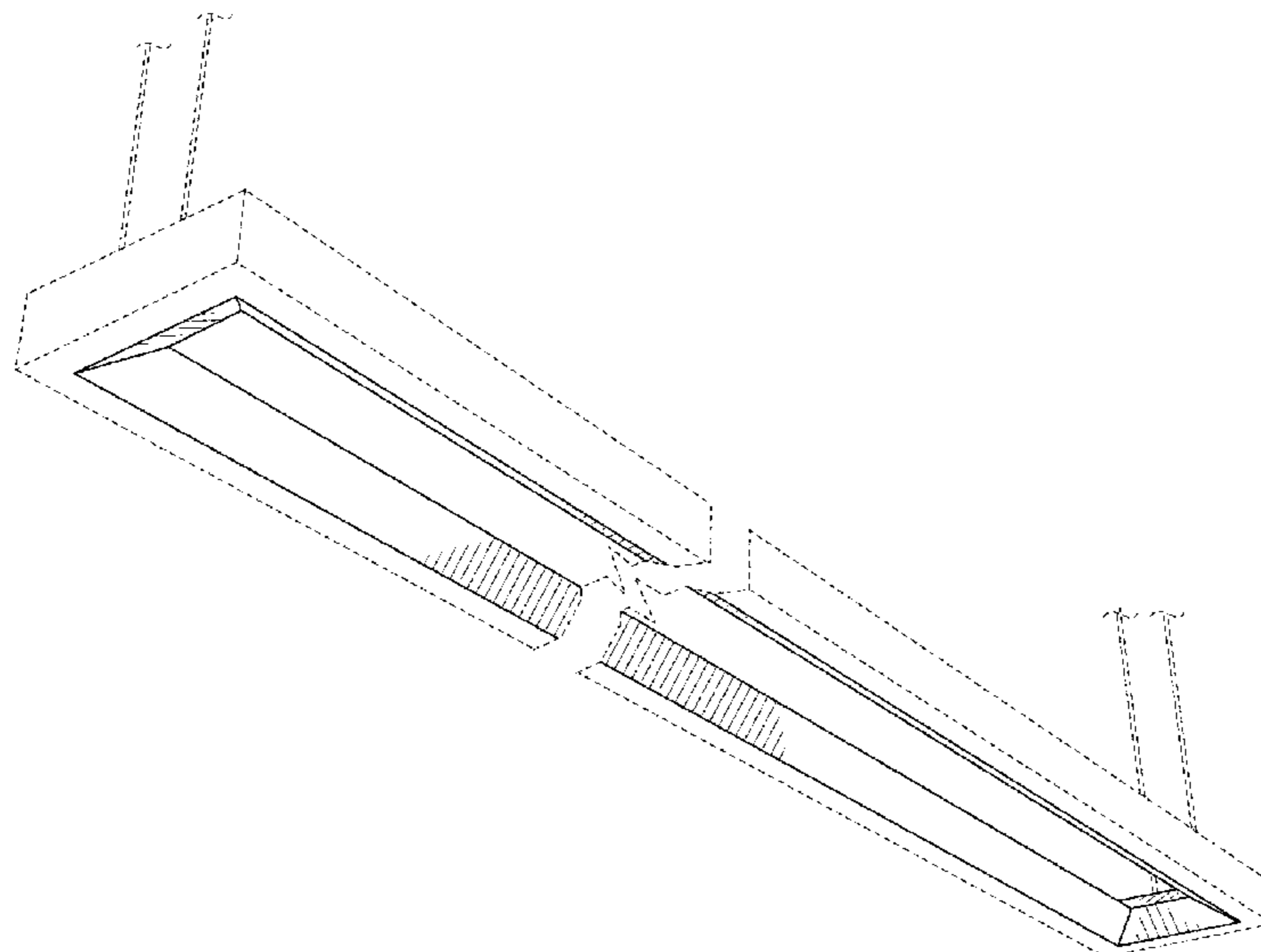
FIG. 4 is a bottom view thereof.

The break lines indicate that the appearance of any portion of the light fixture between the break lines forms no part of the claimed design.

The even-length broken lines immediately adjacent to the shaded area represent unclaimed boundaries of the design.

The broken lines in the drawings illustrate environment of the light fixture which forms no part of the claimed design.

1 Claim, 4 Drawing Sheets



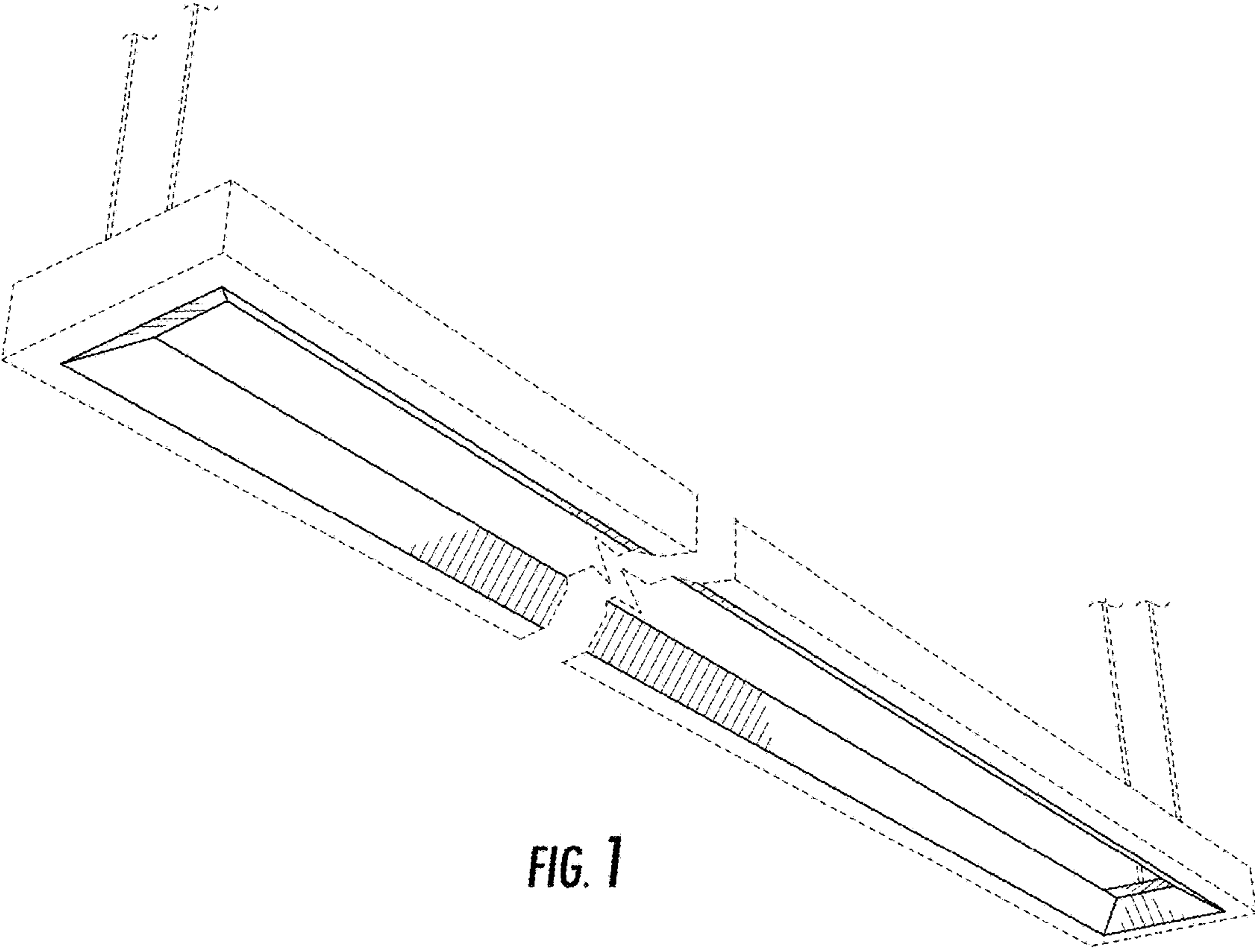


FIG. 1

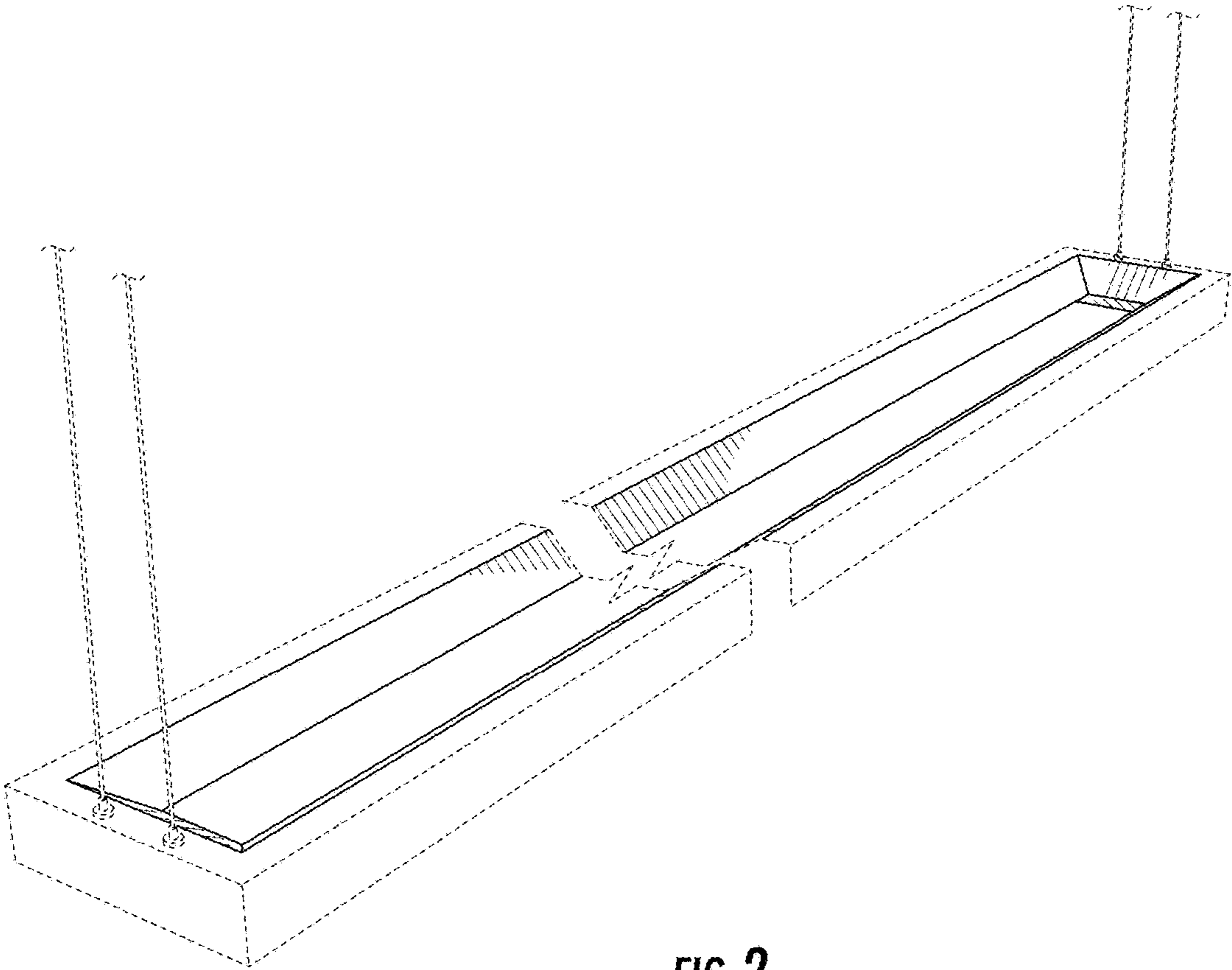


FIG. 2

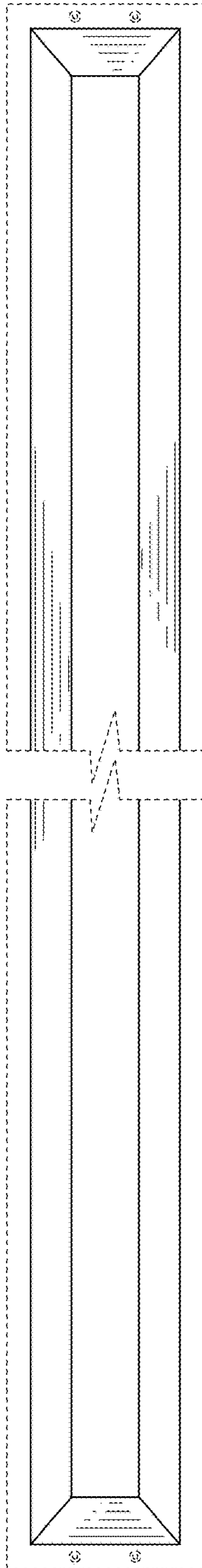


FIG. 3

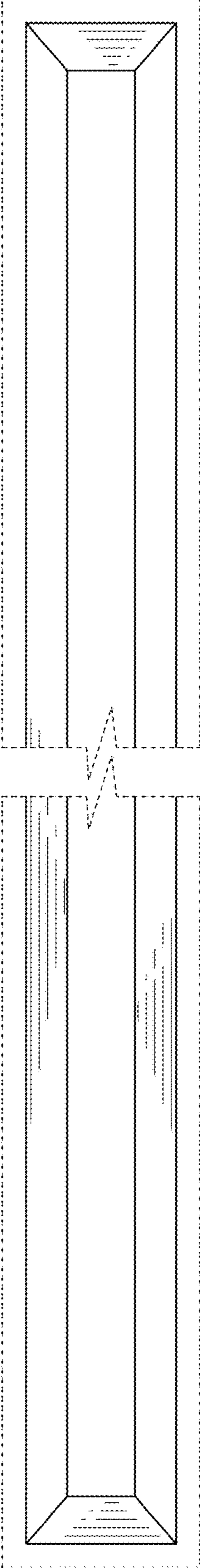


FIG. 4