



US00D790102S

(12) **United States Design Patent**
Guzzini

(10) **Patent No.:** **US D790,102 S**

(45) **Date of Patent:** **** Jun. 20, 2017**

(54) **LUMINAIRES**

(71) Applicant: **Iguzzini Illuminazione S.P.A.**, Recanati (IT)

(72) Inventor: **Adolfo Guzzini**, Recanati (IT)

(73) Assignee: **Iguzzini Illuminazione S.P.A.**, Recanati (IT)

(**) Term: **15 Years**

(21) Appl. No.: **29/531,009**

(22) Filed: **Jun. 22, 2015**

(30) **Foreign Application Priority Data**

Dec. 23, 2014 (EP) 002604660-0014

(51) **LOC (10) Cl.** **26-05**

(52) **U.S. Cl.**
USPC **D26/74**

(58) **Field of Classification Search**

USPC D26/74, 72, 75, 76, 77, 78, 85, 88, 89,
D26/118, 138, 141; 362/364, 365, 373,
362/145, 146, 147, 148, 150, 153, 153.1,
362/294, 296.01, 296.07, 296.08

CPC F21V 29/2262; F21V 7/06; F21V 21/044;
F21V 21/047; F21V 29/2212; F21V
29/2225; F21V 29/2256; F21V 29/225;
F21V 29/2268; F21Y 2111/002; F21S
8/02; F21S 8/026

See application file for complete search history.

(56) **References Cited**

U.S. PATENT DOCUMENTS

D591,894 S * 5/2009 Flank D26/74
D656,263 S * 3/2012 Ogawa D26/74

D667,155 S * 9/2012 Rashidi D26/74
D672,899 S * 12/2012 Van De Ven D26/74
D677,417 S * 3/2013 Rashidi D26/74
D679,044 S * 3/2013 Jeswani D26/74
D684,287 S * 6/2013 Rashidi D26/74
D687,587 S * 8/2013 Rashidi D26/74
D687,588 S * 8/2013 Rashidi D26/74
D690,866 S * 10/2013 Rashidi D26/74
D695,941 S * 12/2013 Rashidi D26/74
D726,949 S * 4/2015 Redfern D26/74

FOREIGN PATENT DOCUMENTS

EM 001817792-005 8/2011

* cited by examiner

Primary Examiner — Angela J Lee

(74) *Attorney, Agent, or Firm* — Stetina Brunda Garred & Brucker

(57) **CLAIM**

The ornamental design for luminaire, as shown and described.

DESCRIPTION

FIG. 1 is a front perspective view of the luminaire of the present invention showing my new design, with the dotted lines depicting solely environmental structure and forming no part of the claimed design;

FIG. 2 is a front view thereof;

FIG. 3 is a right view thereof;

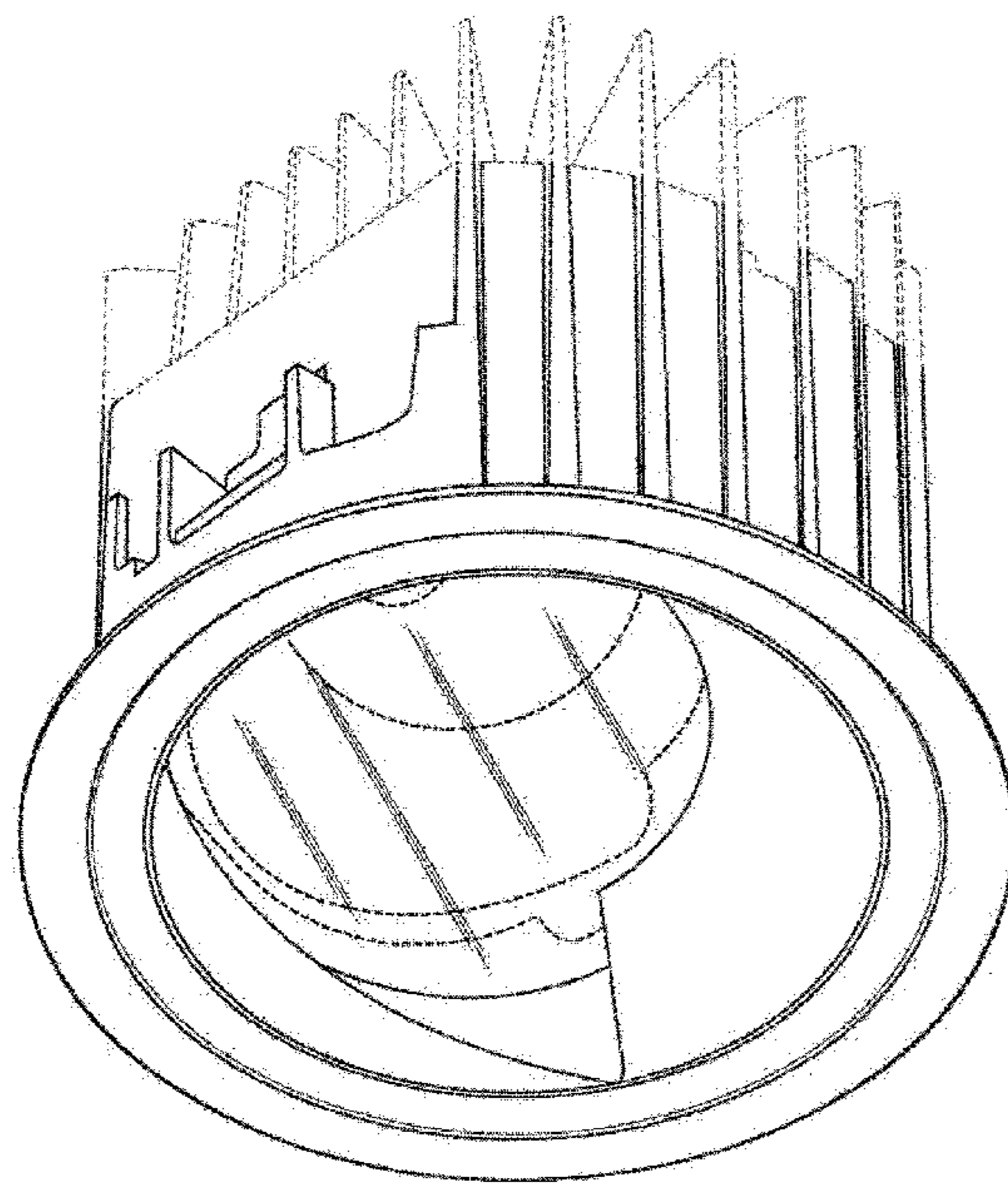
FIG. 4 is a left view thereof;

FIG. 5 is a back view thereof;

FIG. 6 is a top view thereof; and,

FIG. 7 is a bottom view thereof.

1 Claim, 7 Drawing Sheets



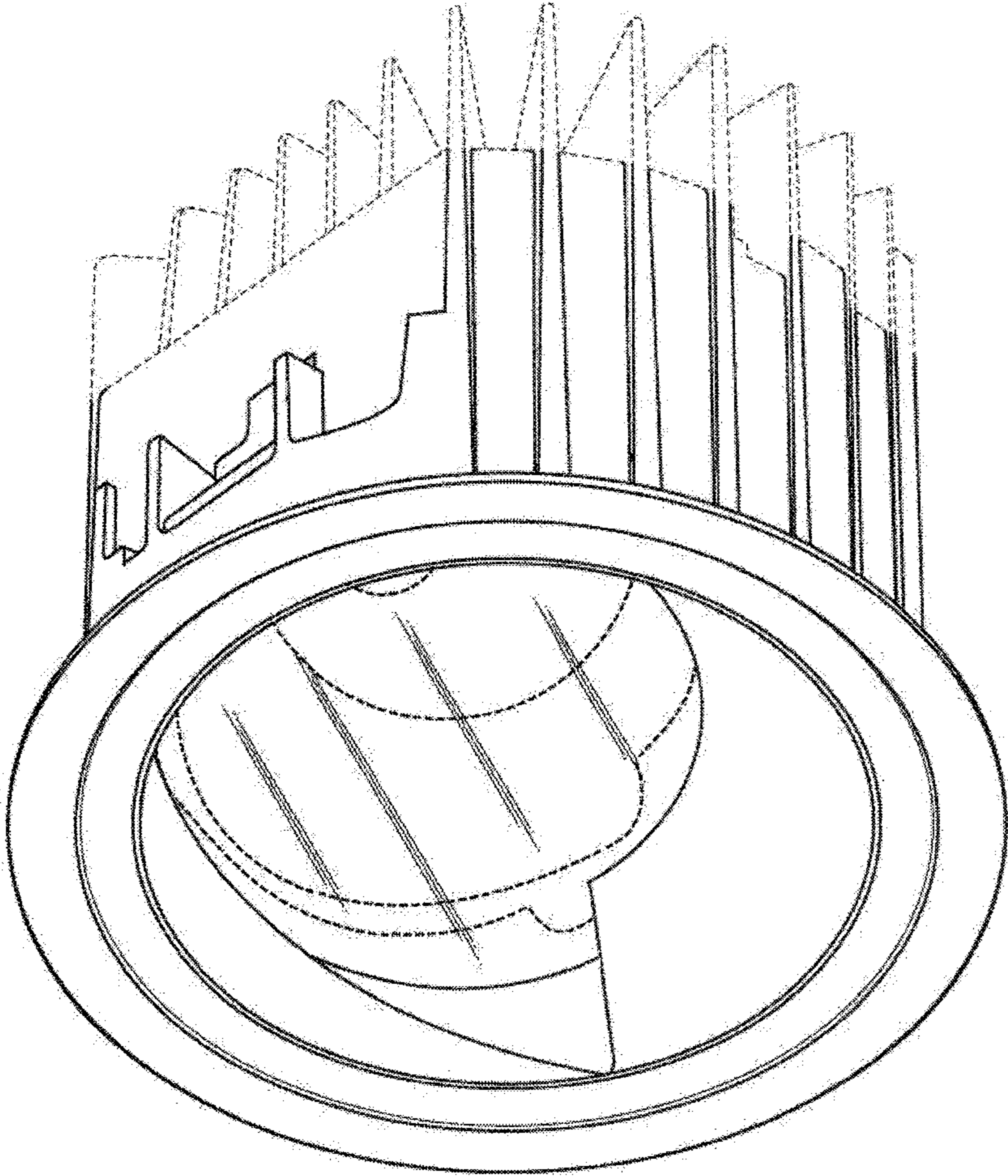


Fig. 1

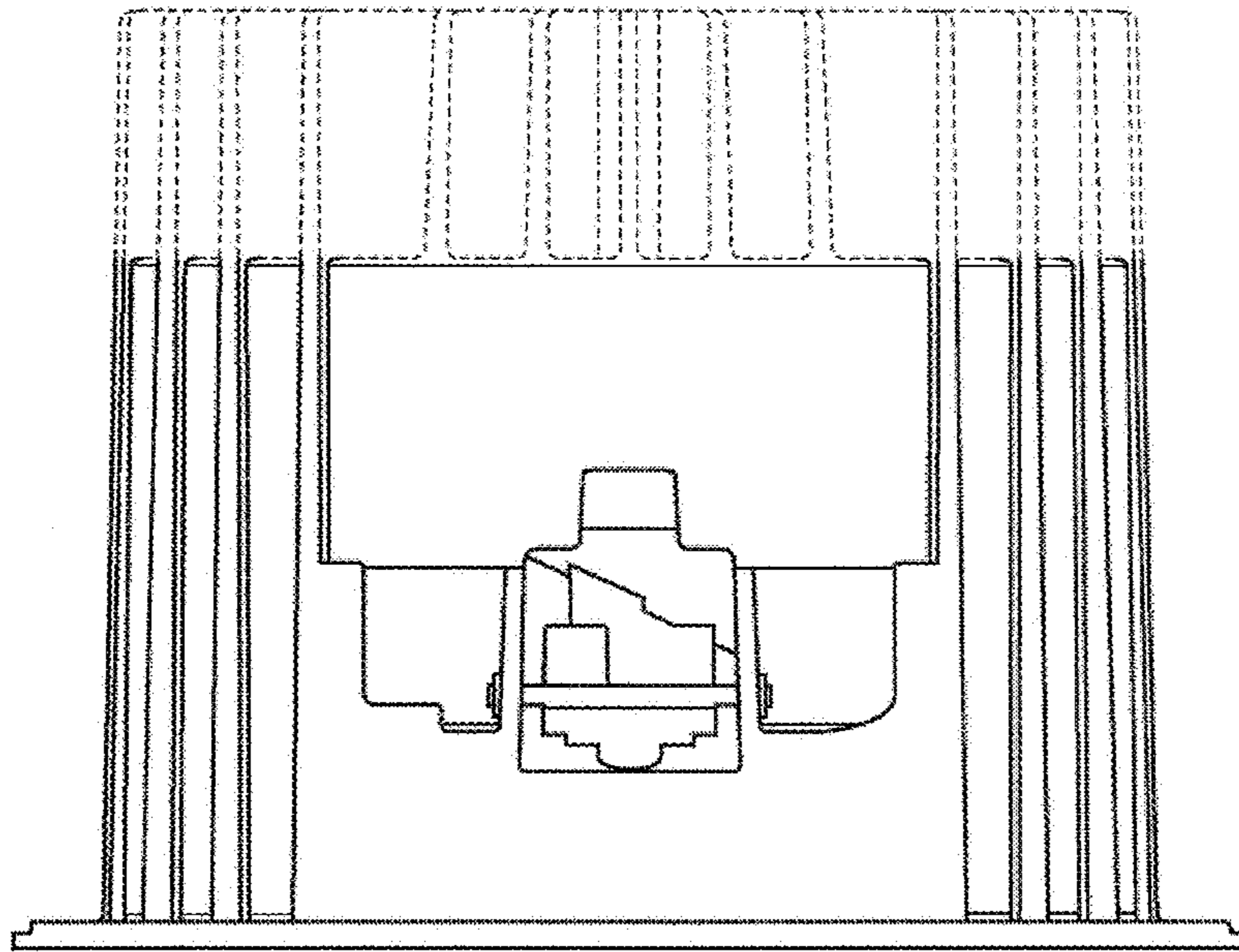


Fig. 2

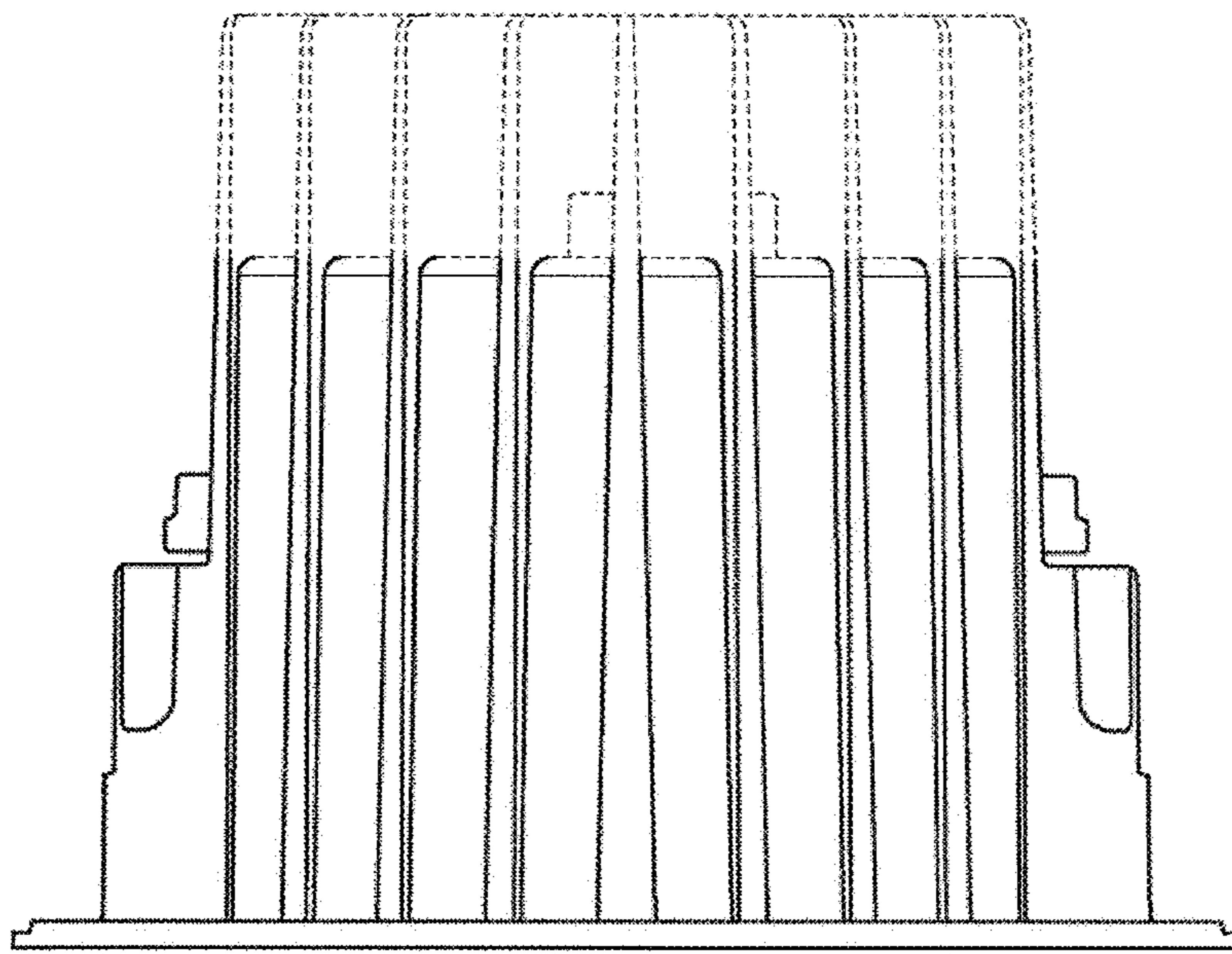


Fig. 3

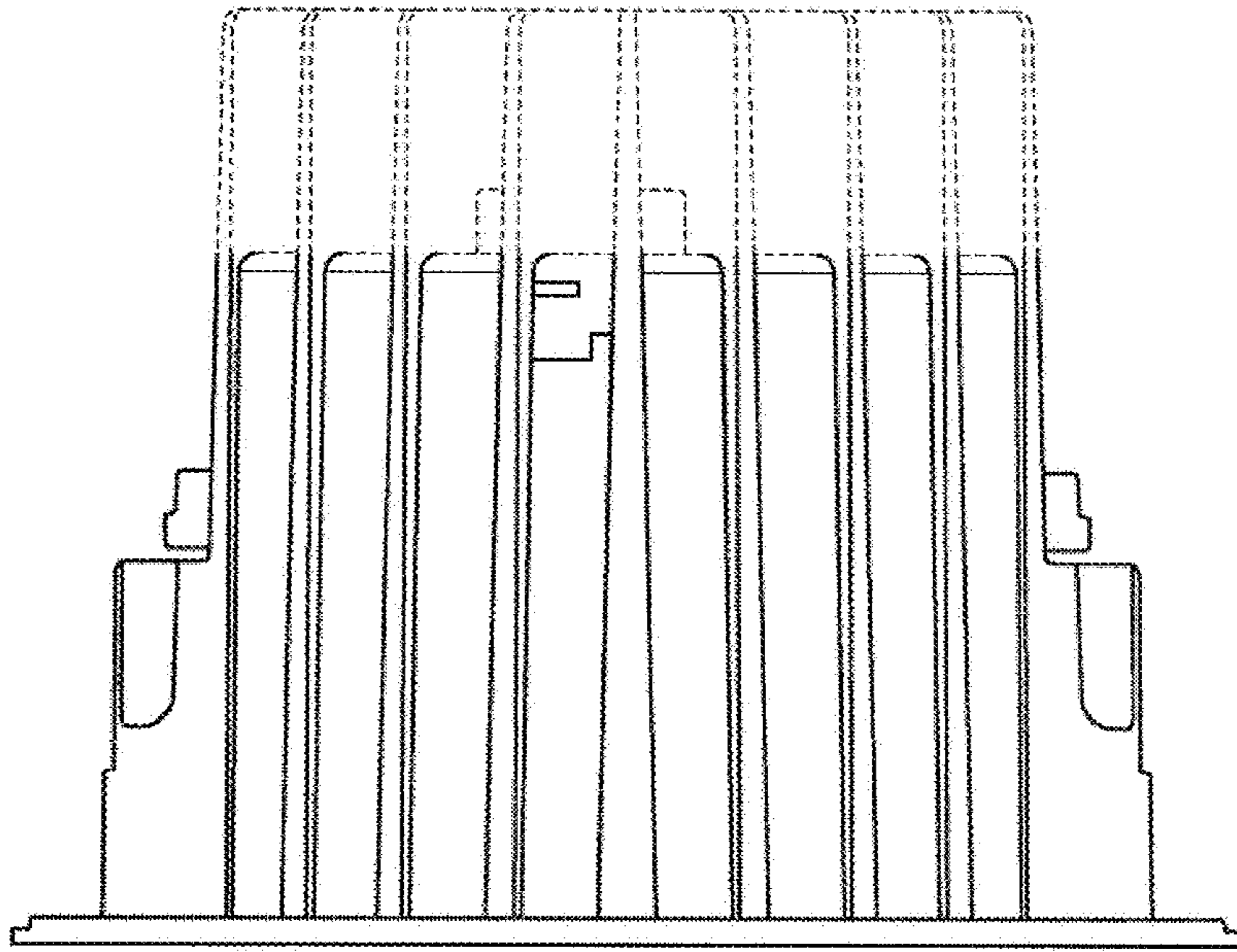


Fig. 4

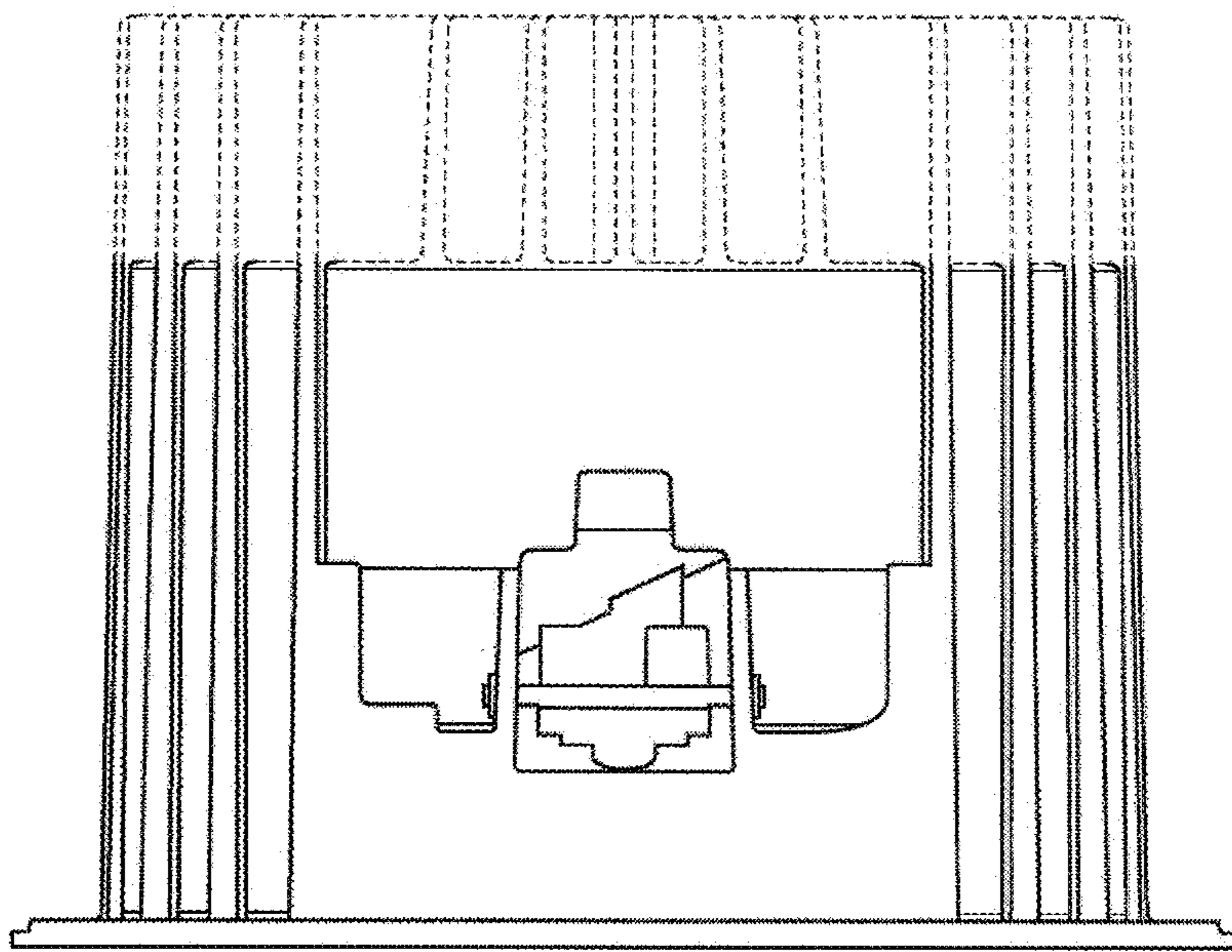


Fig. 5

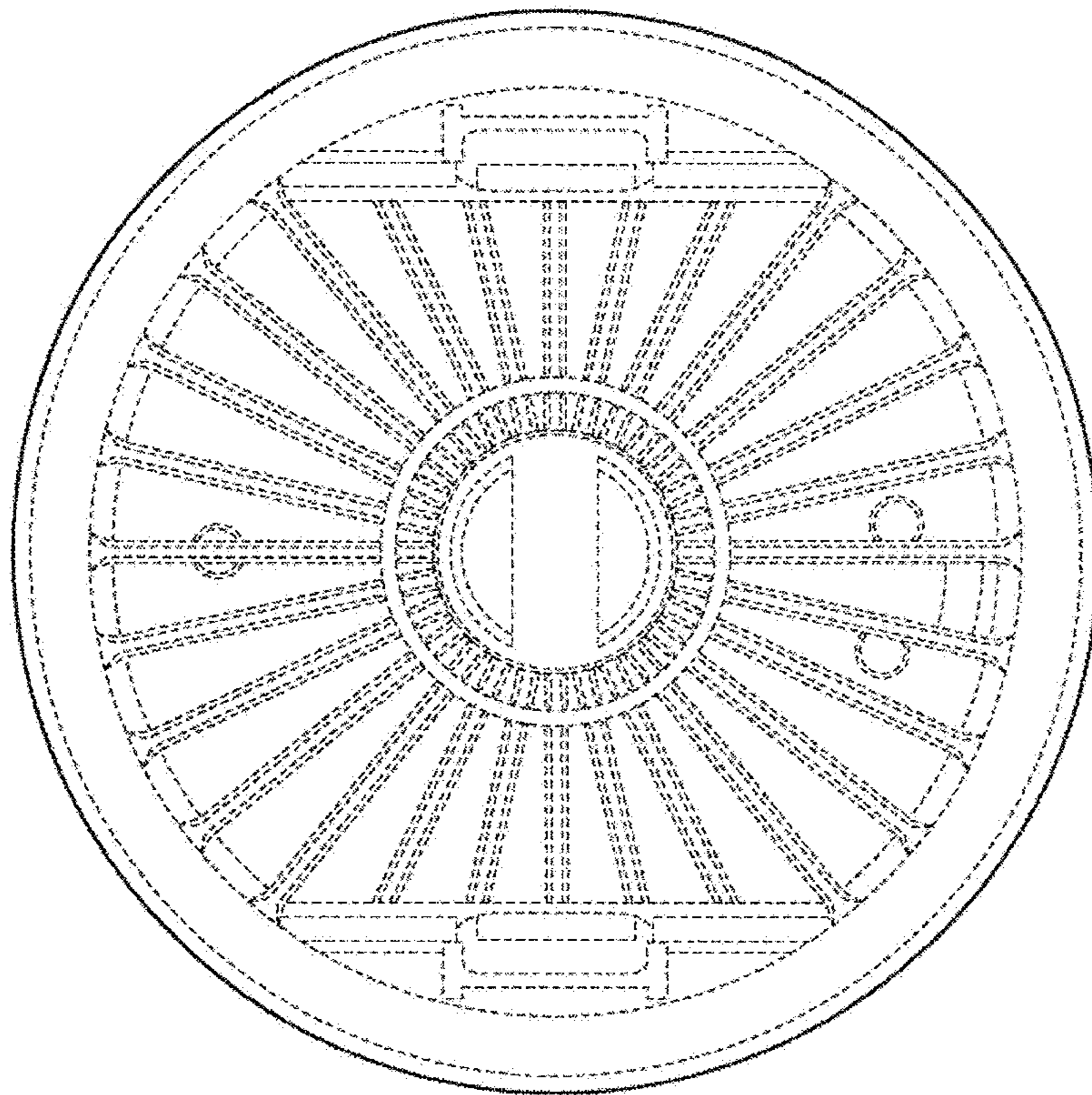


Fig. 6

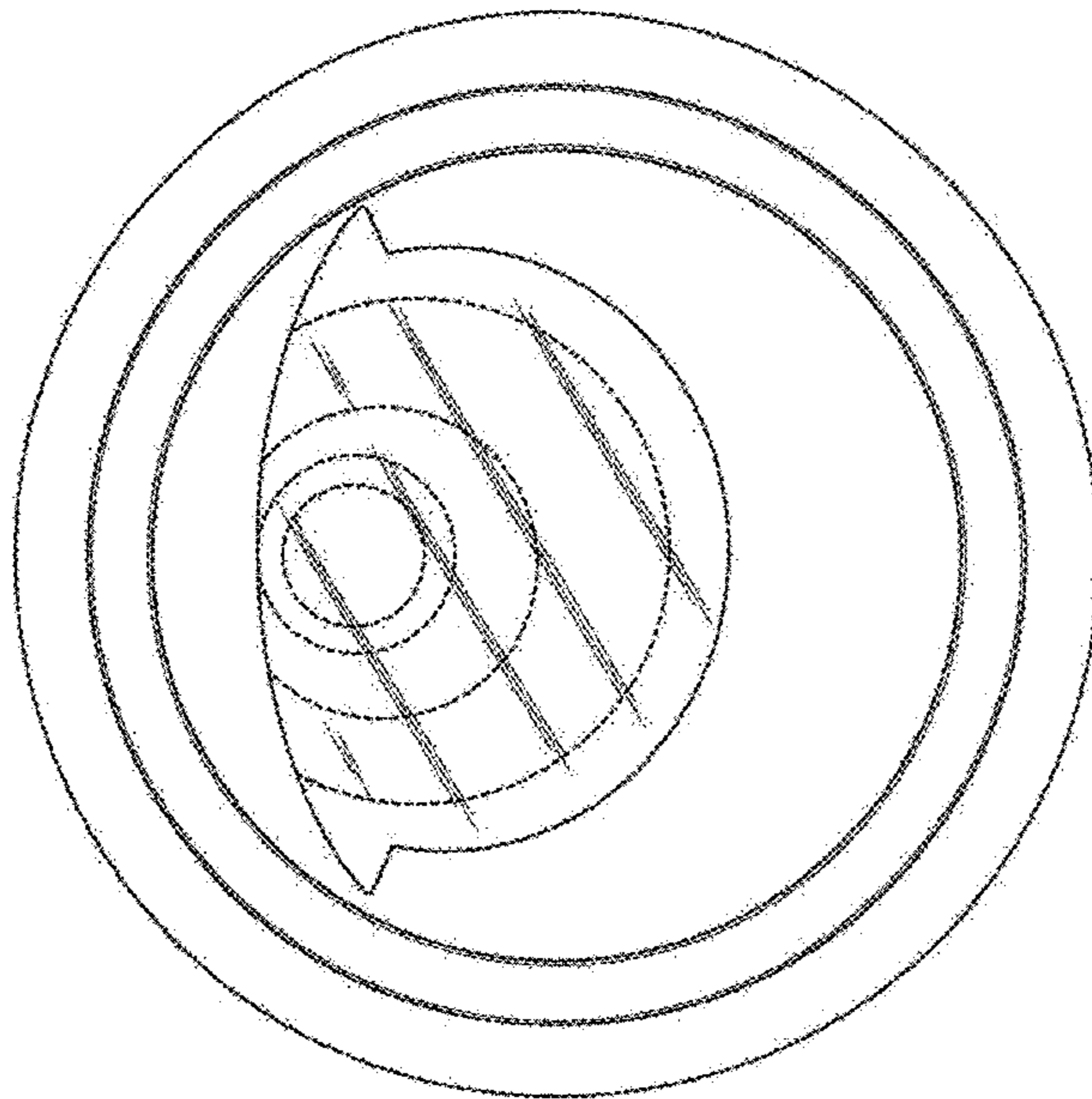


Fig. 7