



US00D790099S

(12) **United States Design Patent** (10) **Patent No.:** **US D790,099 S**
Pius (45) **Date of Patent:** **** Jun. 20, 2017**

- (54) **PANORAMIC FLASHLIGHT**
- (71) Applicant: **Lawrence Jay Pius**, Port Saint Lucie, FL (US)
- (72) Inventor: **Lawrence Jay Pius**, Port Saint Lucie, FL (US)
- (**) Term: **14 Years**
- (21) Appl. No.: **29/508,482**
- (22) Filed: **Nov. 6, 2014**
- (51) **LOC (10) Cl.** **26-02**
- (52) **U.S. Cl.**
USPC **D26/46**
- (58) **Field of Classification Search**
USPC D26/37, 38, 46, 49, 40, 41, 51; 362/157, 362/158, 183, 184, 194-196, 200-208
CPC F21V 33/00; F21V 14/025; F21V 21/406; F21Y 2101/02; F21L 17/00; F21L 13/08; F21L 2001/00; F21L 14/02
See application file for complete search history.

- D687,583 S * 8/2013 von Waldthausen D26/46
- D691,310 S * 10/2013 Zhou D26/37
- D711,028 S * 8/2014 Pritchett D26/37
- D715,473 S * 10/2014 Killion D26/46
- D731,687 S * 6/2015 Haws D26/46
- D753,333 S * 4/2016 Hamasaki D26/120
- 2005/0052862 A1 * 3/2005 Bruwer F21L 4/027 362/157

FOREIGN PATENT DOCUMENTS

WO 2013192325 12/2013

* cited by examiner

Primary Examiner — Ian Simmons
Assistant Examiner — Carissa C Fitts

(57) **CLAIM**

The ornamental design for a panoramic flashlight, as shown and described.

DESCRIPTION

FIG. 1 is a perspective view of a panoramic flashlight with three illuminating panels in accordance with the present invention;

FIG. 2 is a top plan view of the panoramic flashlight of FIG. 1;

FIG. 3 is a bottom plan view of the panoramic flashlight of FIG. 1;

FIG. 4 is an elevational right-side view of the panoramic flashlight of FIG. 1;

FIG. 5 is elevational left-side view of the panoramic flashlight of FIG. 1;

FIG. 6 is an elevational front view of the panoramic flashlight of FIG. 1; and,

FIG. 7 an elevational rear view of the panoramic flashlight of FIG. 1.

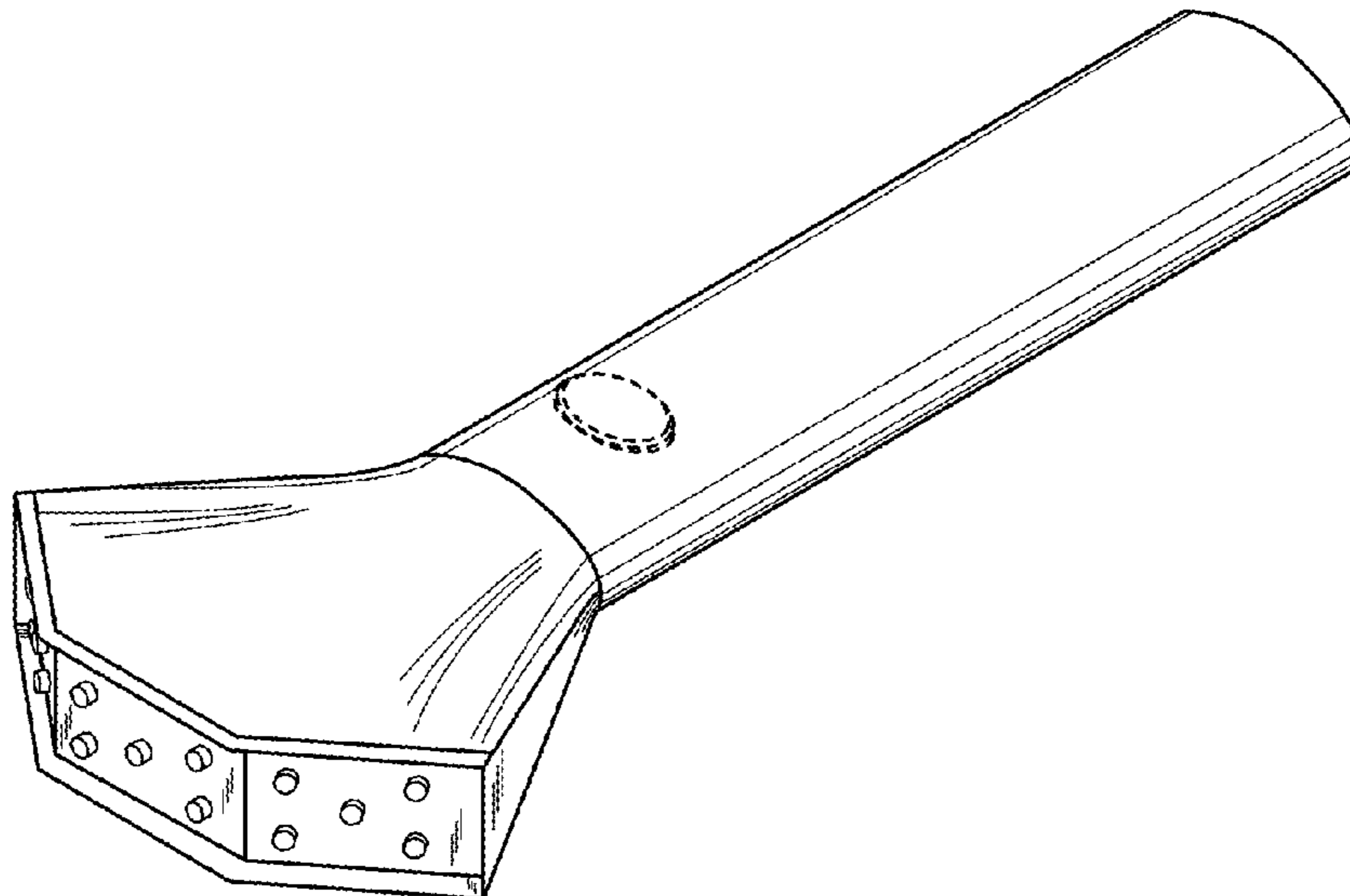
The broken lines show portions of the article not claimed and form no part of the claimed design.

1 Claim, 4 Drawing Sheets

(56) **References Cited**

U.S. PATENT DOCUMENTS

- D104,212 S * 4/1937 Gage D26/28
- D231,011 S * 3/1974 Vic et al. D26/46
- D450,871 S * 11/2001 Dair D26/49
- D453,580 S * 2/2002 Lynch D26/46
- 6,357,893 B1 3/2002 Belliveau
- D480,826 S * 10/2003 Englert D26/49
- D507,370 S * 7/2005 Marshall D26/37
- D516,234 S * 2/2006 Holsinger D26/37
- 7,172,313 B2 2/2007 Abel et al.
- D606,689 S * 12/2009 Bent D26/48
- 7,766,508 B2 8/2010 Villard et al.
- D636,509 S * 4/2011 Killion D26/46
- 7,936,119 B2 5/2011 Cheng
- D646,007 S * 9/2011 Tompkin D26/46
- D670,015 S * 10/2012 Wu D26/49
- D670,844 S * 11/2012 von Waldthausen D26/46



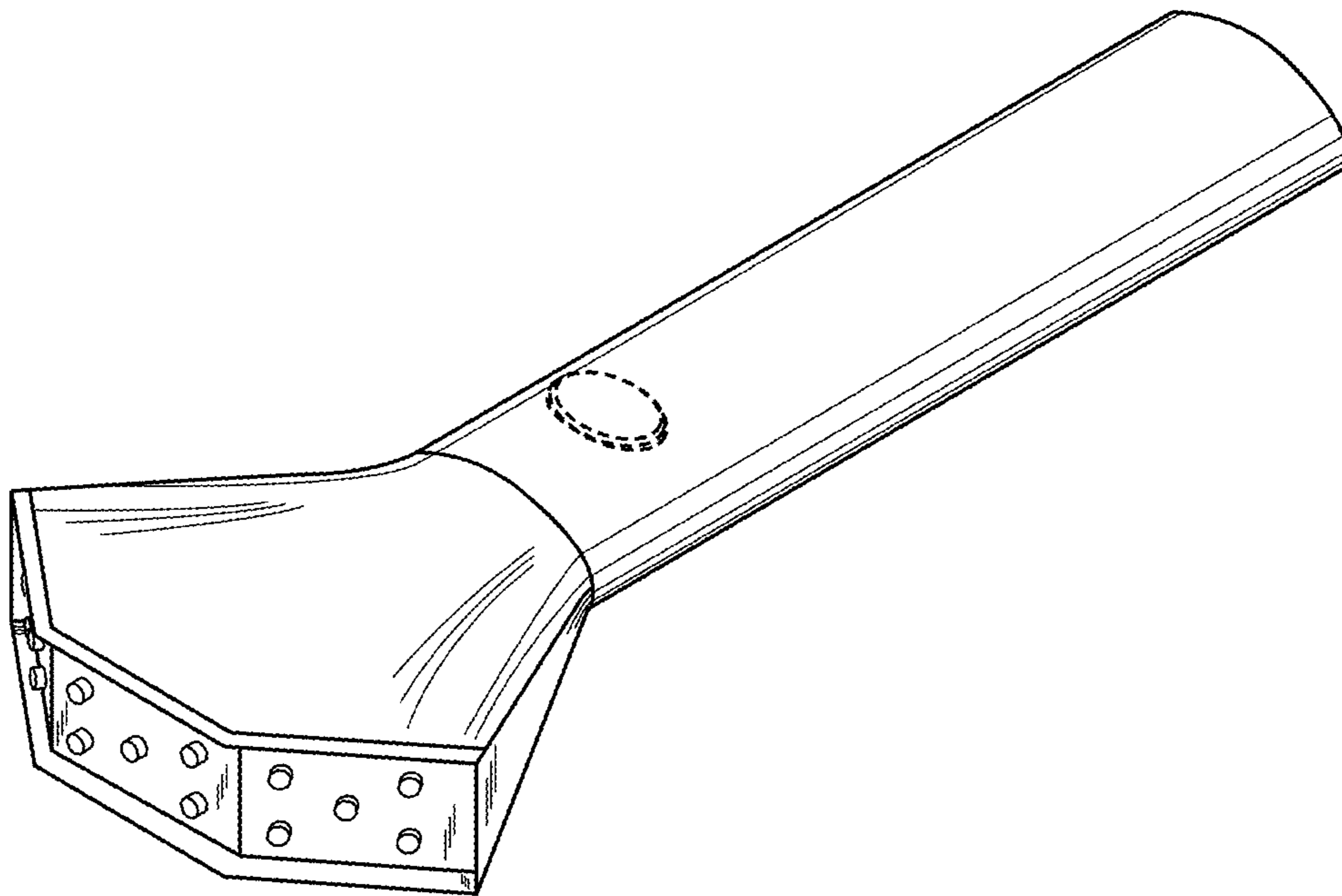


FIG. 1

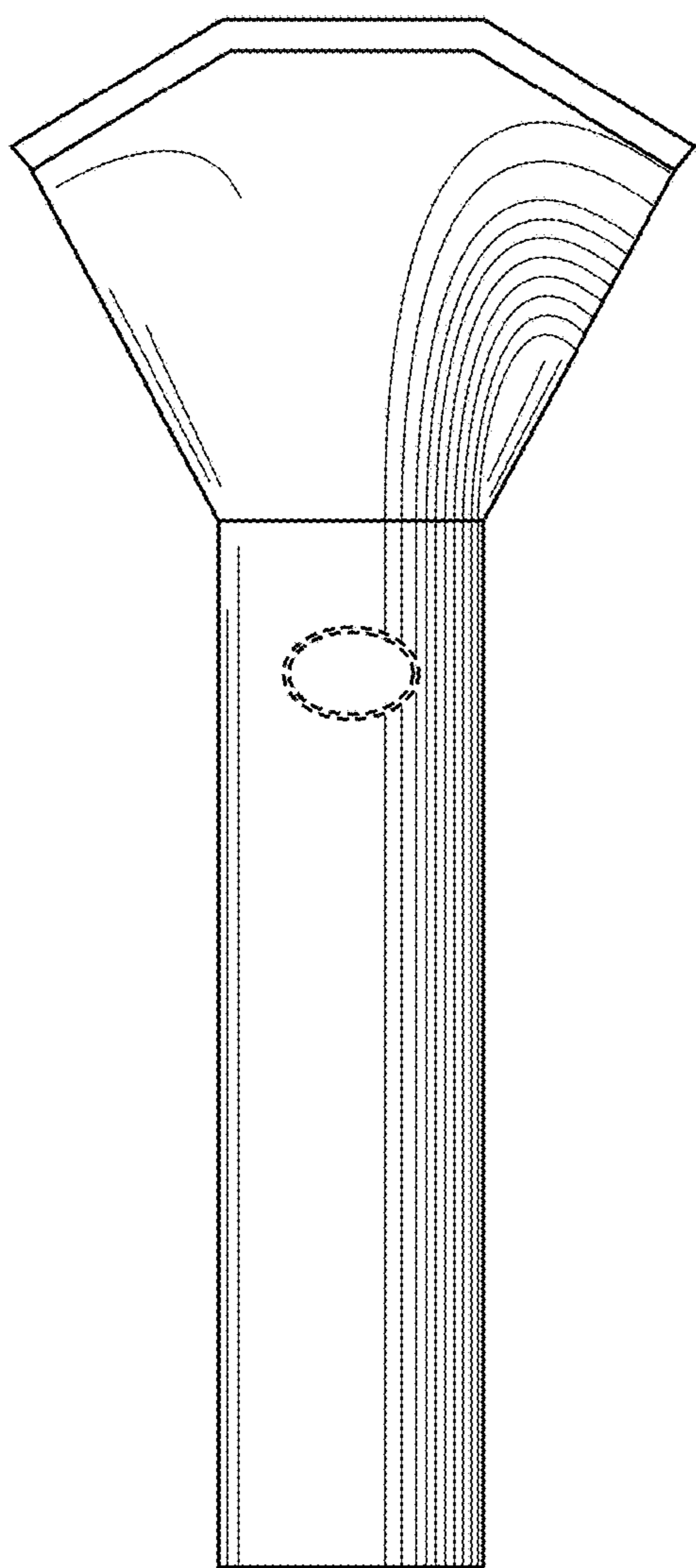


FIG. 2

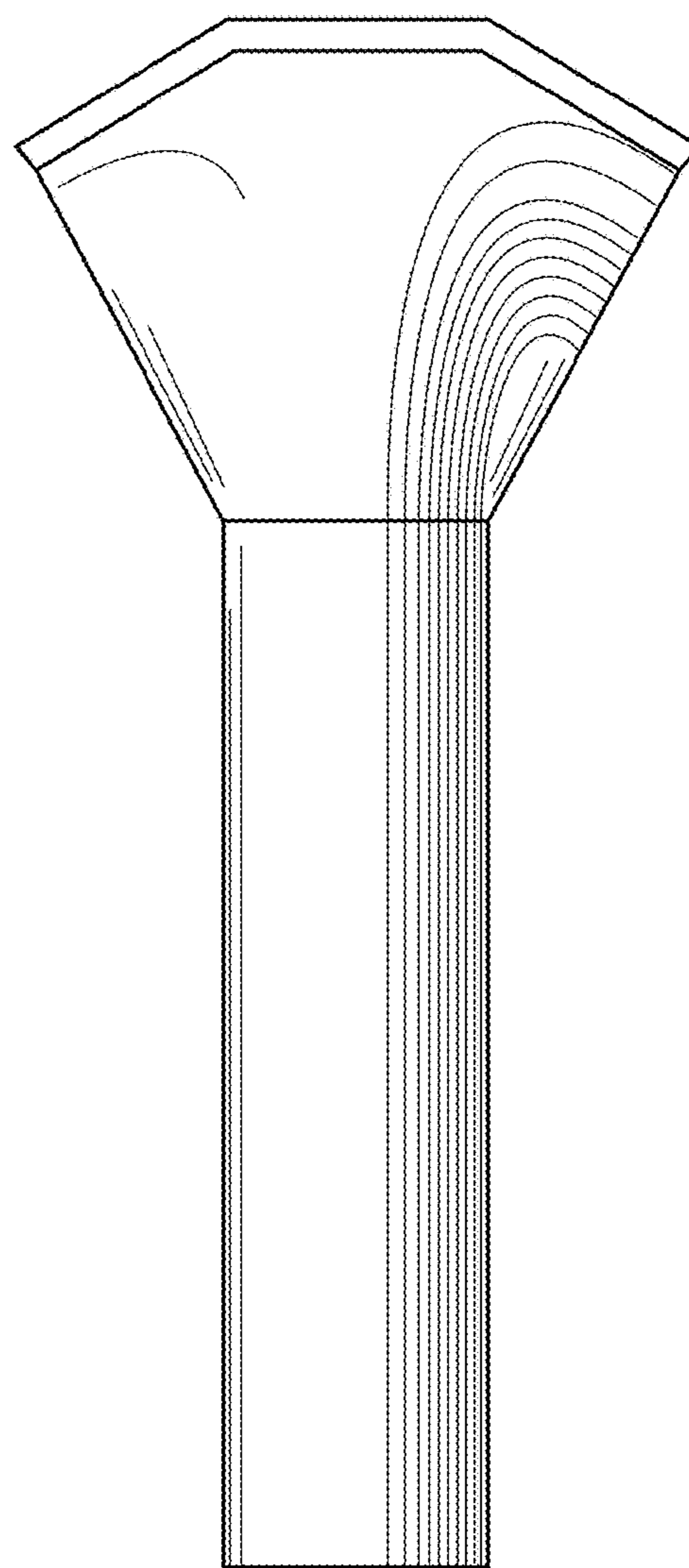


FIG. 3

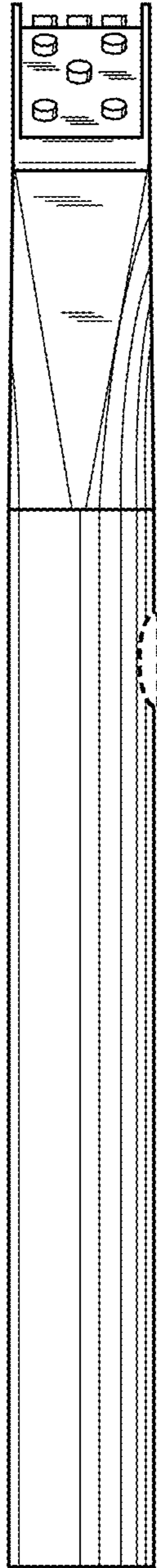


FIG. 4

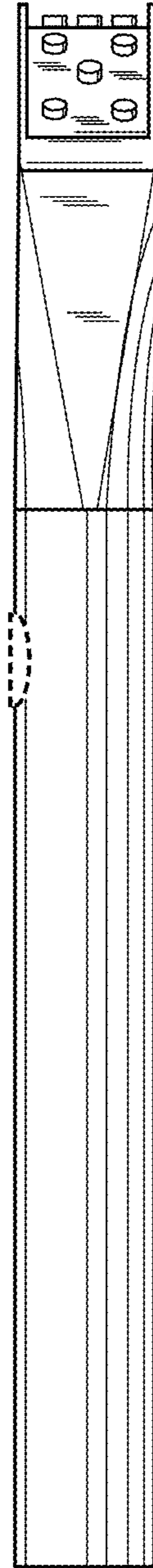


FIG. 5

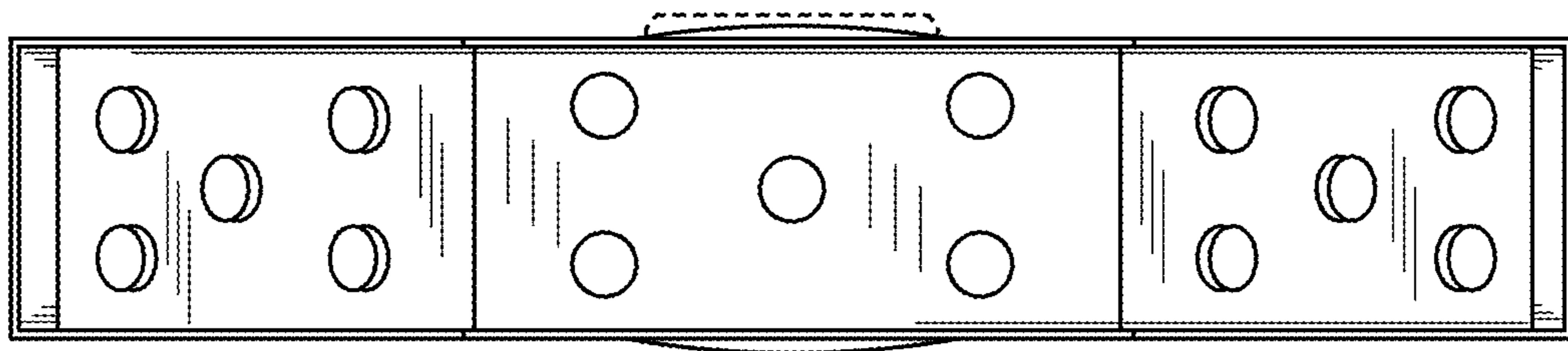


FIG. 6

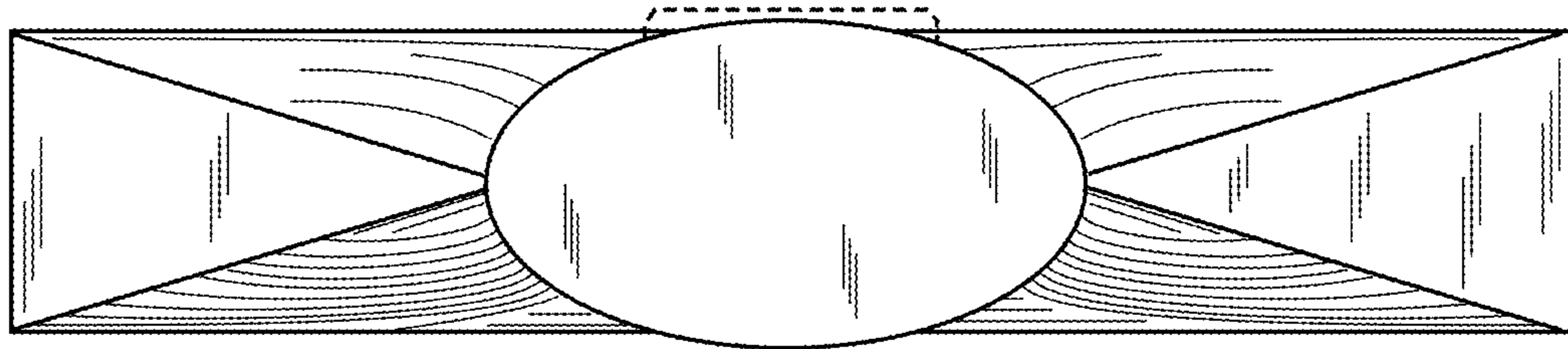


FIG. 7