



US00D790098S

(12) **United States Design Patent** (10) **Patent No.:** **US D790,098 S**
Esarey et al. (45) **Date of Patent:** **** Jun. 20, 2017**

(54) **ELECTRIC LANTERN**

(71) Applicant: **Industrial Revolution, Inc.**, Tukwila, WA (US)

(72) Inventors: **Graeme Esarey**, Seattle, WA (US);
Jami Odell, Des Moines, WA (US)

(73) Assignee: **Industrial Revolution, Inc.**, Tukwila, WA (US)

(**) Term: **14 Years**

(21) Appl. No.: **29/483,919**

(22) Filed: **Mar. 4, 2014**

(51) **LOC (10) Cl.** **26-02**

(52) **U.S. Cl.**
USPC **D26/40**

(58) **Field of Classification Search**

USPC D26/37, 38, 39, 40, 41, 42, 46, 49, 50;
362/157, 158, 183, 184, 194–196, 253,
362/170–174

CPC F21V 33/00; F21V 14/025; F21V 21/406;
F21Y 2101/02; F21L 17/00; F21L 13/08

See application file for complete search history.

(56) **References Cited**

U.S. PATENT DOCUMENTS

D524,968 S	*	7/2006	Poon	D26/40
D564,112 S	*	3/2008	Jen	D26/40
D581,568 S	*	11/2008	Bertken	D26/40
D583,492 S	*	12/2008	Jen	D26/40
D646,412 S	*	10/2011	Taiga	D26/41
D650,105 S	*	12/2011	Crawford et al.	D26/41
D693,499 S	*	11/2013	Bennett et al.	D26/37
D694,445 S	*	11/2013	Shiu	D26/40
D707,378 S	*	6/2014	Shiu	D26/41
D722,716 S	*	2/2015	Pamani	D26/41

OTHER PUBLICATIONS

LED Lanterns, website screenshot, Feb. 7, 2013, <www.industrialrev.com/led-lanterns>.

Clarus LED Lantern, website screenshot, Feb. 16, 2013, <www.industrialrev.com/clarus.html>.

Lumora LED Lantern, website screenshot, Feb. 4, 2013, <www.industrialrev.com/lumora.html>.

Arka USB Charger + Lantern + Flashlight, website screenshot, Feb. 4, 2013, <www.industrialrev.com/arka-led-lantern.html>.

* cited by examiner

Primary Examiner — Ian Simmons

Assistant Examiner — Carissa C Fitts

(74) *Attorney, Agent, or Firm* — DWC Law Firm, P.S.;
David Chen

(57) **CLAIM**

The ornamental design for an electric lantern, as shown and described.

DESCRIPTION

FIG. 1 is a perspective view of an electric lantern of the claimed invention, having a translucent globe, as indicated by diagonal shading.

FIG. 2 is a front side elevation view of the electric lantern of FIG. 1.

FIG. 3 is a back side elevation view of the electric lantern of FIG. 1.

FIG. 4 is a left side elevation view of the electric lantern of FIG. 1.

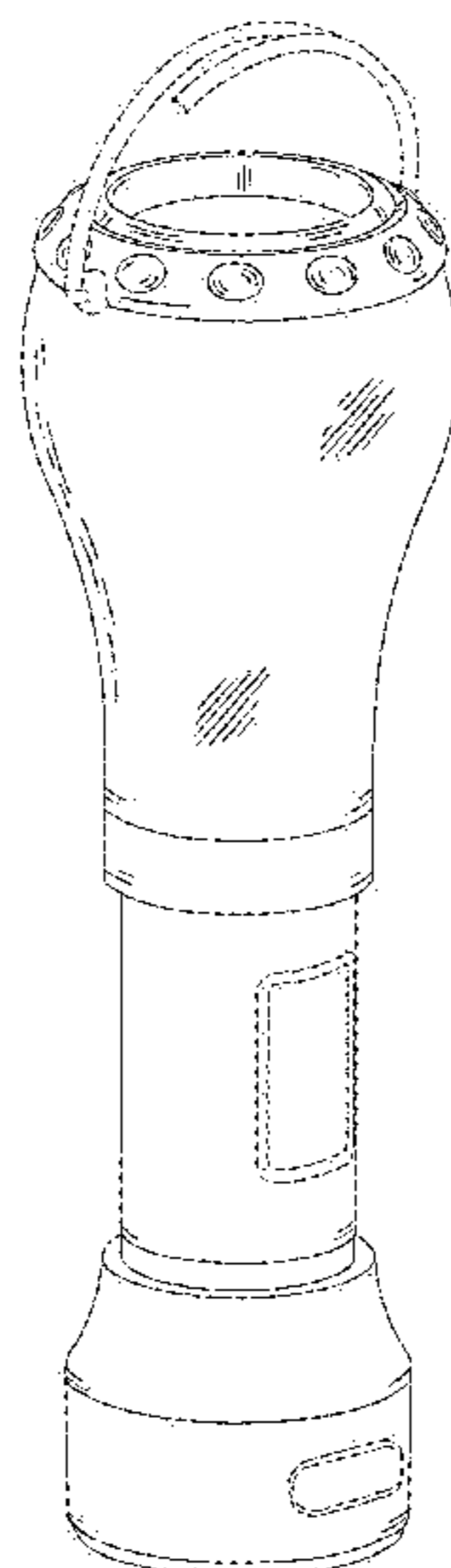
FIG. 5 is a right side elevation view of the electric lantern of FIG. 1.

FIG. 6 is a top plan view of the electric lantern of FIG. 1; and,

FIG. 7 is a bottom plan view of the electric lantern of FIG. 1.

The broken lines shown in the drawings represent unclaimed portions of the article and form no part of the claim.

1 Claim, 6 Drawing Sheets



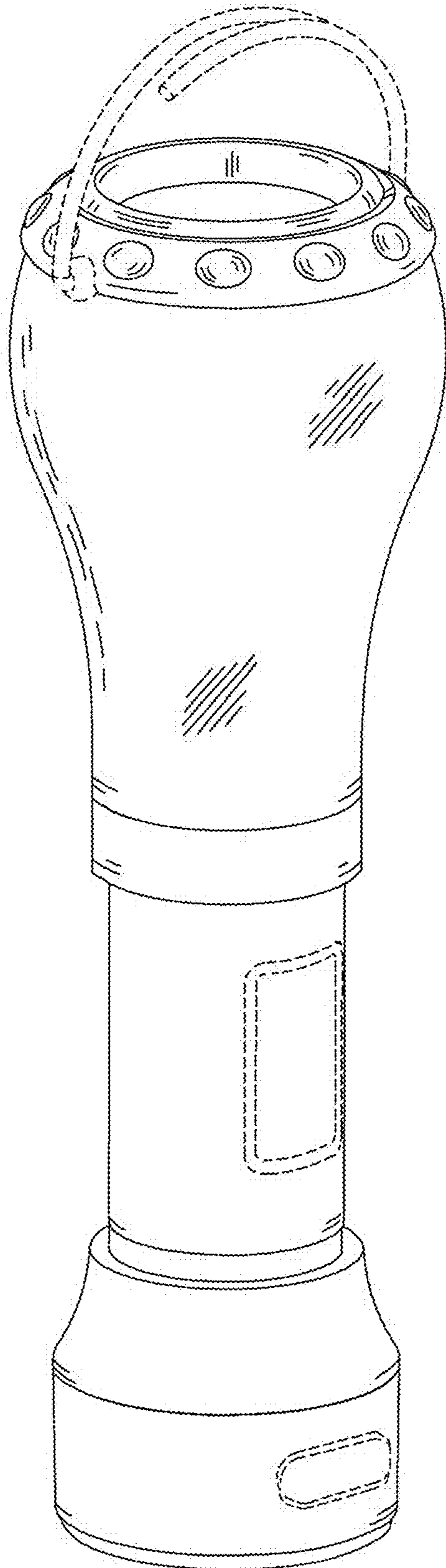


FIG. 1

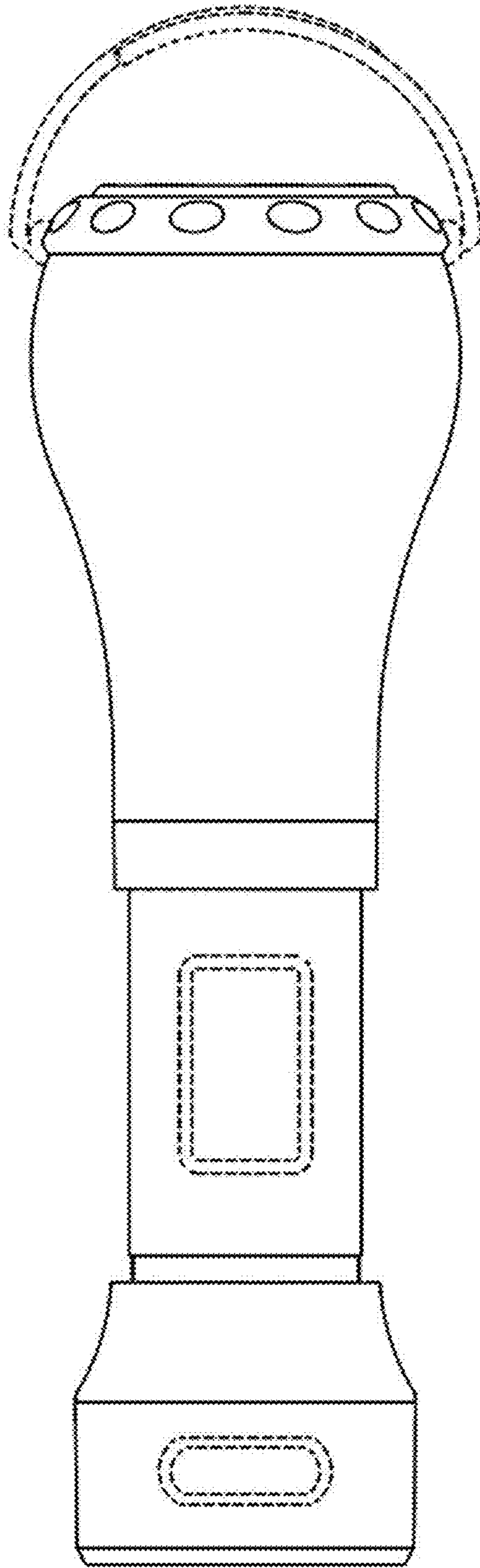


FIG. 2

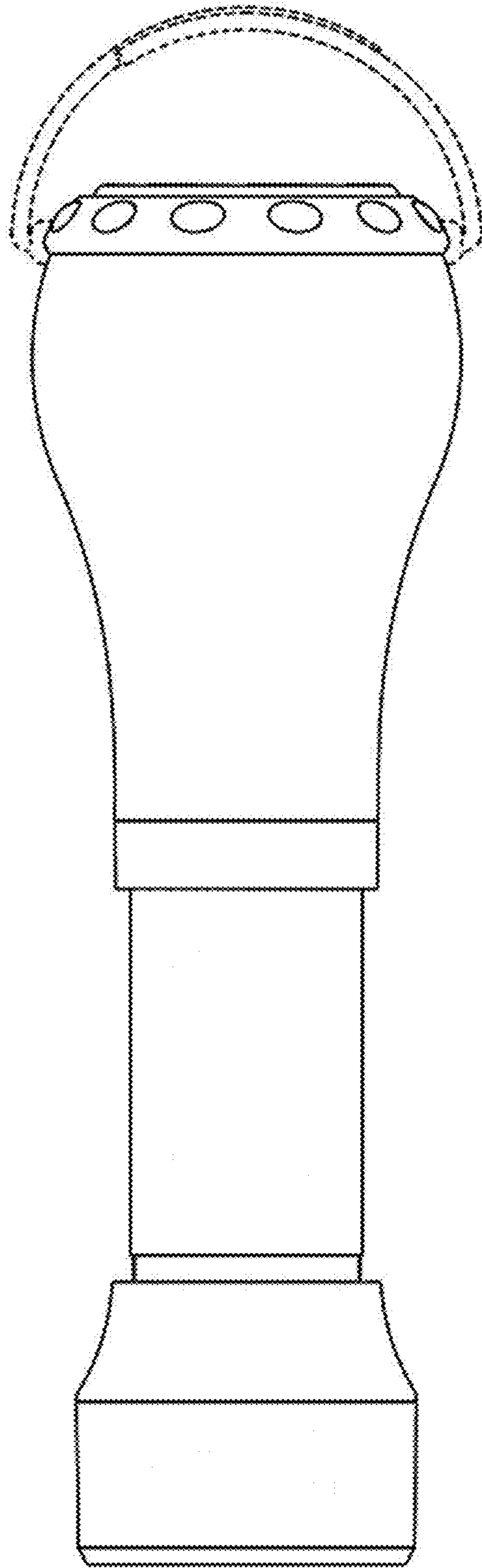


FIG. 3

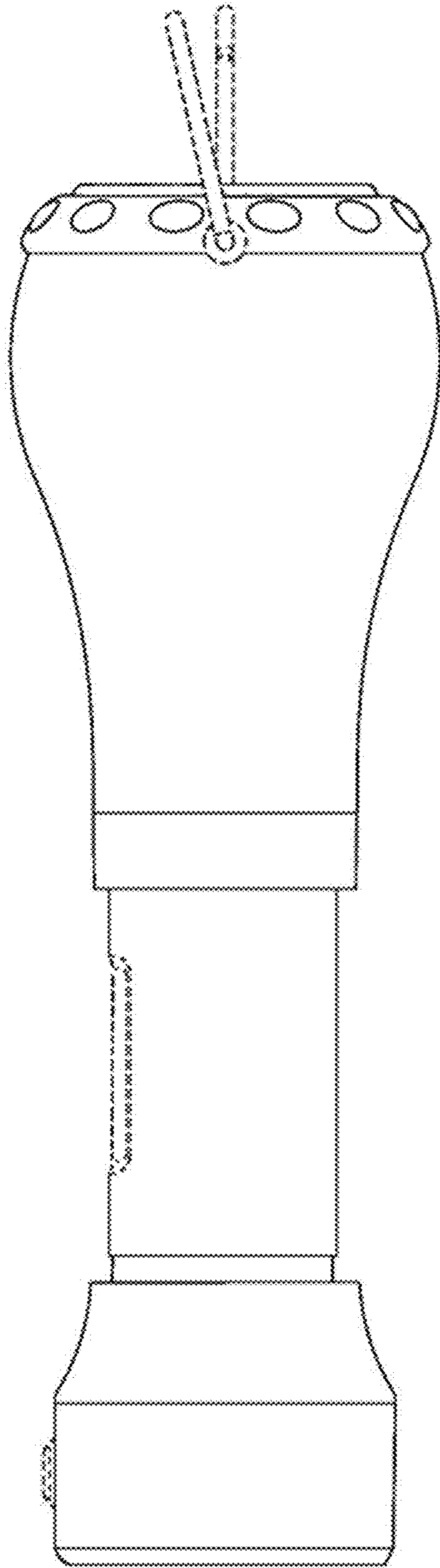


FIG. 4

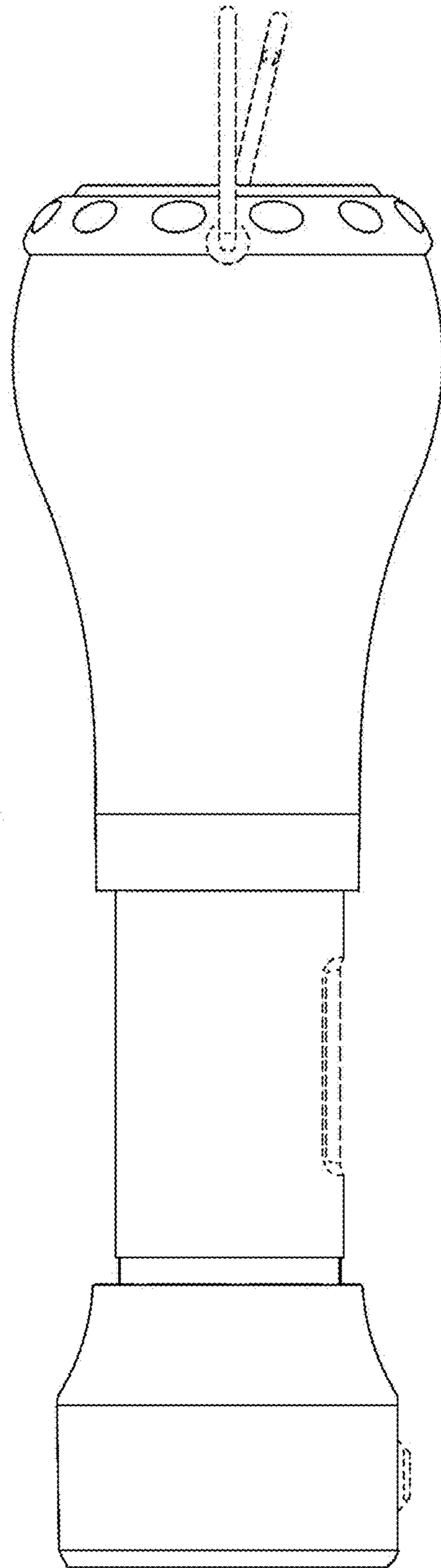


FIG. 5

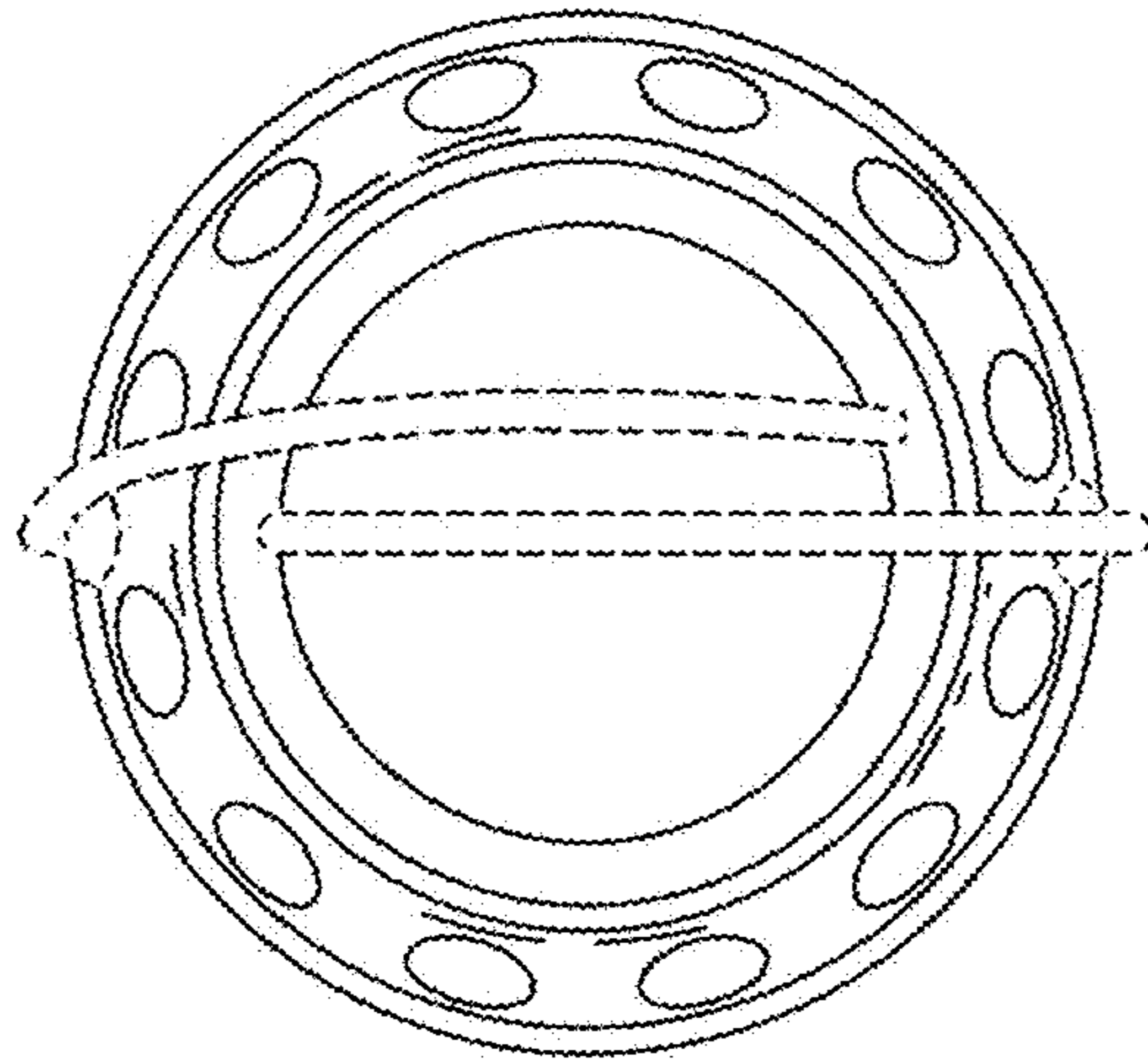


FIG. 6

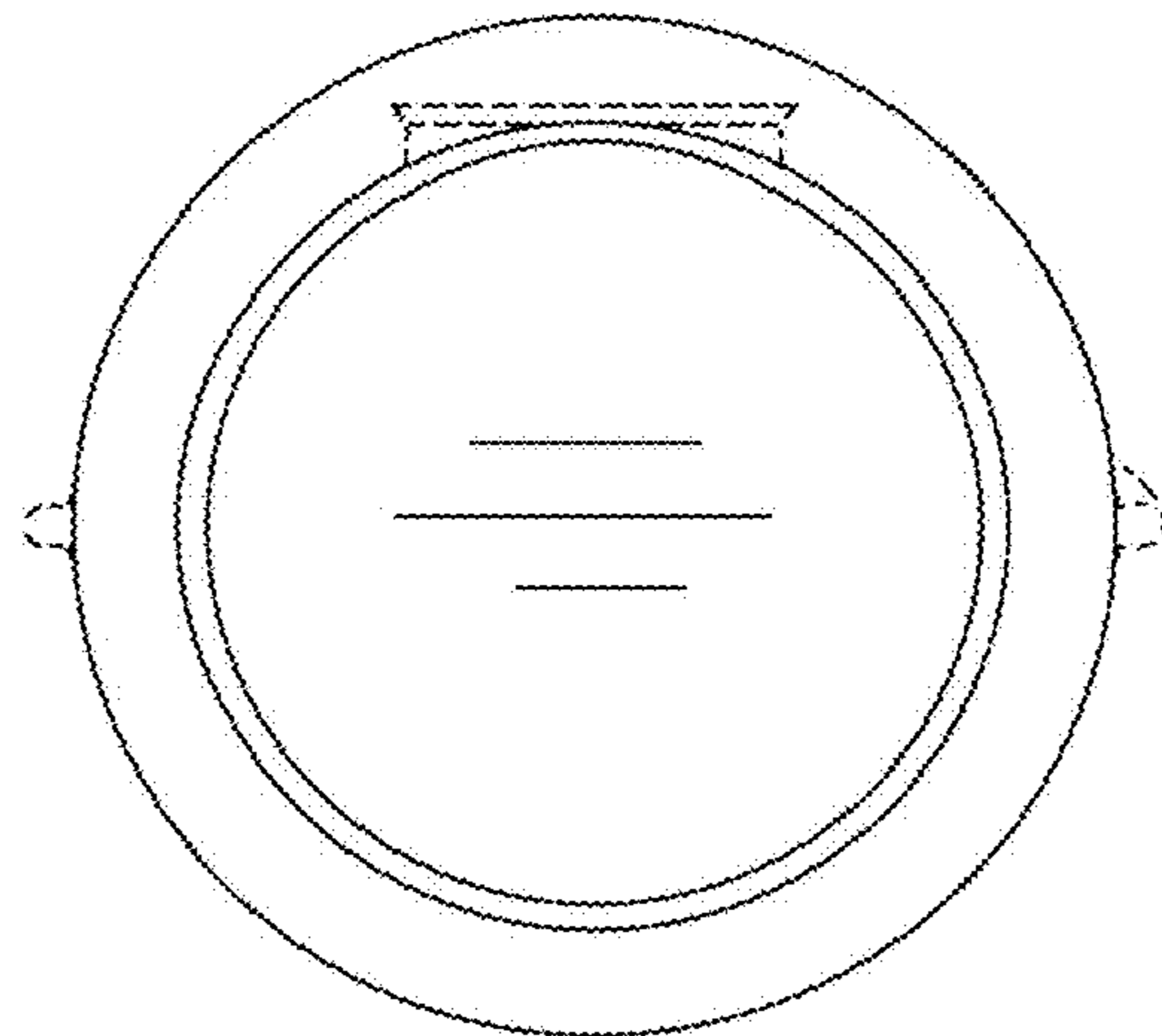


FIG. 7