



US00D790097S

(12) **United States Design Patent** (10) **Patent No.:** **US D790,097 S**
Port (45) **Date of Patent:** **** Jun. 20, 2017**

- (54) **WEARABLE LIGHTING DEVICE**
- (71) Applicant: **SureFire, LLC**, Fountain Valley, CA (US)
- (72) Inventor: **Douglas J. Port**, Huntington Beach, CA (US)
- (73) Assignee: **SureFire, LLC**, Fountain Valley, CA (US)
- (**) Term: **14 Years**
- (21) Appl. No.: **29/514,592**
- (22) Filed: **Jan. 14, 2015**
- (51) **LOC (10) Cl.** **26-02**
- (52) **U.S. Cl.**
USPC **D26/39**
- (58) **Field of Classification Search**
USPC D26/39, 37, 38, 46, 51; 362/103, 105, 362/106, 108, 187, 158, 183, 184, 362/194-196, 200-208, 253
CPC F21L 2003/00; F21L 4/00; F21L 4/005; F21L 4/02; F21L 4/025; F21L 4/027; F21L 4/04; F21L 4/08; F21L 2005/00; F21L 7/00; F21L 11/00; F21L 13/00; F21L 13/04; F21L 13/08; F21L 14/02; F21L 17/00; F21L 19/00; F21L 25/00
See application file for complete search history.

- D568,508 S * 5/2008 Howe D26/38
- D569,022 S * 5/2008 Lin D26/46
- D593,693 S * 6/2009 Adamany D26/37
- D598,593 S * 8/2009 Kingston D26/37
- D601,733 S * 10/2009 Nagano D26/37
- D611,629 S * 3/2010 Sharrah D26/39
- D676,991 S * 2/2013 Araujo D26/39
- D676,992 S * 2/2013 Trude D26/39
- D680,672 S * 4/2013 Sharrah D26/37
- D709,228 S * 7/2014 Petzl D26/39

* cited by examiner

Primary Examiner — Ian Simmons
Assistant Examiner — Carissa C Fitts
(74) *Attorney, Agent, or Firm* — Haynes and Boone, LLP

(57) **CLAIM**

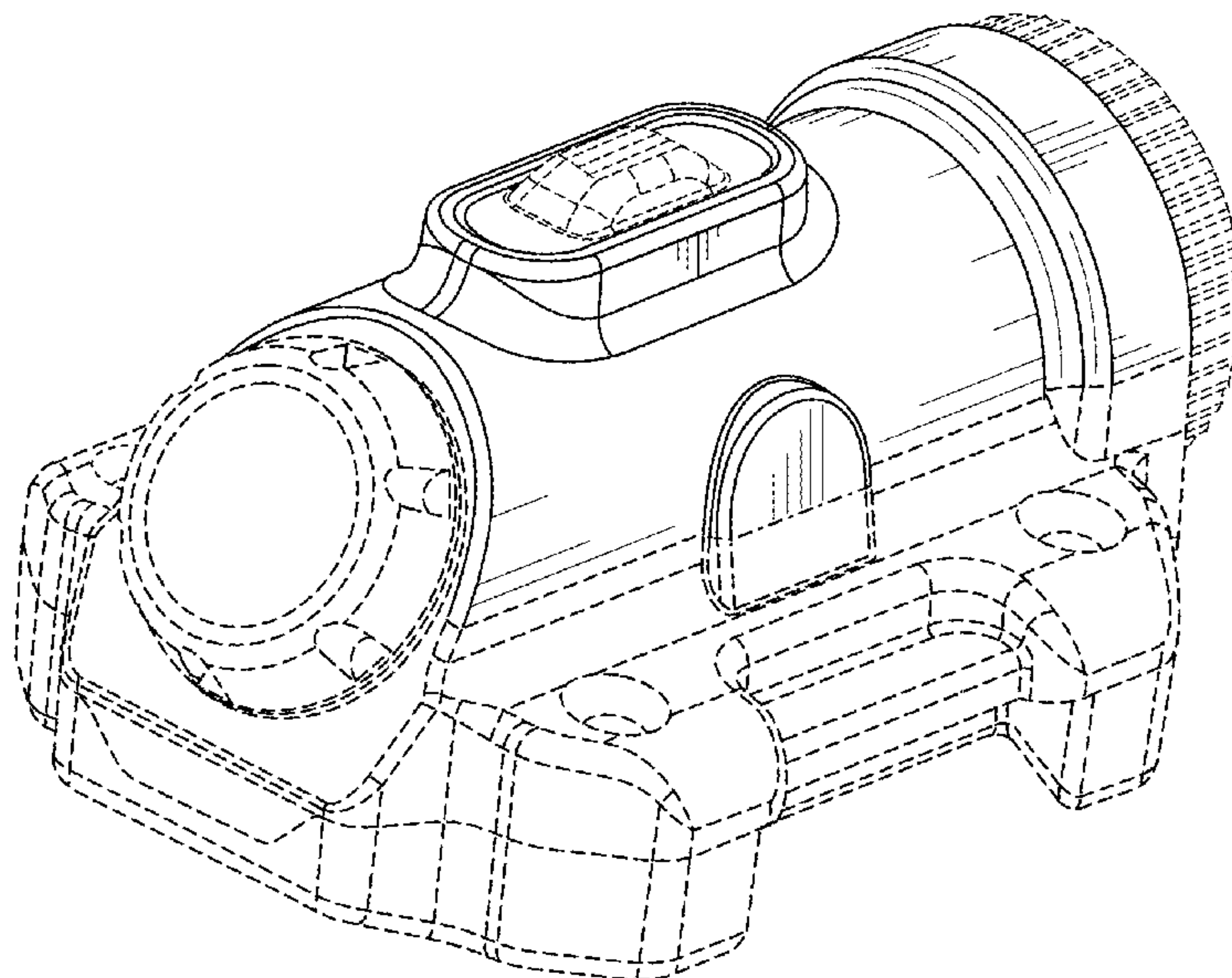
The ornamental design for a wearable lighting device, as shown and described.

DESCRIPTION

FIG. 1 is a front perspective view of a wearable lighting device showing the new design; FIG. 2 is a rear perspective view thereof; FIG. 3 is a left side elevational view thereof; FIG. 4 is a right side elevational view thereof; FIG. 5 is a top plan view thereof; FIG. 6 is a bottom plan view thereof; FIG. 7 is a front side elevational view thereof; and FIG. 8 is a rear side elevational view thereof. FIG. 9 is a front perspective view of the wearable lighting device with an example wrist strap attached thereto; and, FIG. 10 is a rear perspective view thereof. The dashed broken line showing represents portions of the article not claimed and forms no part of the claimed design. The dot-dash broken line showing defines the bounds of the claimed design and forms no part thereof.

1 Claim, 10 Drawing Sheets

- (56) **References Cited**
U.S. PATENT DOCUMENTS
D447,587 S * 9/2001 Poon D26/39
D472,335 S * 3/2003 Chan D26/38
D510,402 S * 10/2005 Owens D22/108
D518,210 S * 3/2006 Nagano D26/39
D545,470 S * 6/2007 Devany D26/46
D560,009 S * 1/2008 Spartano D26/39



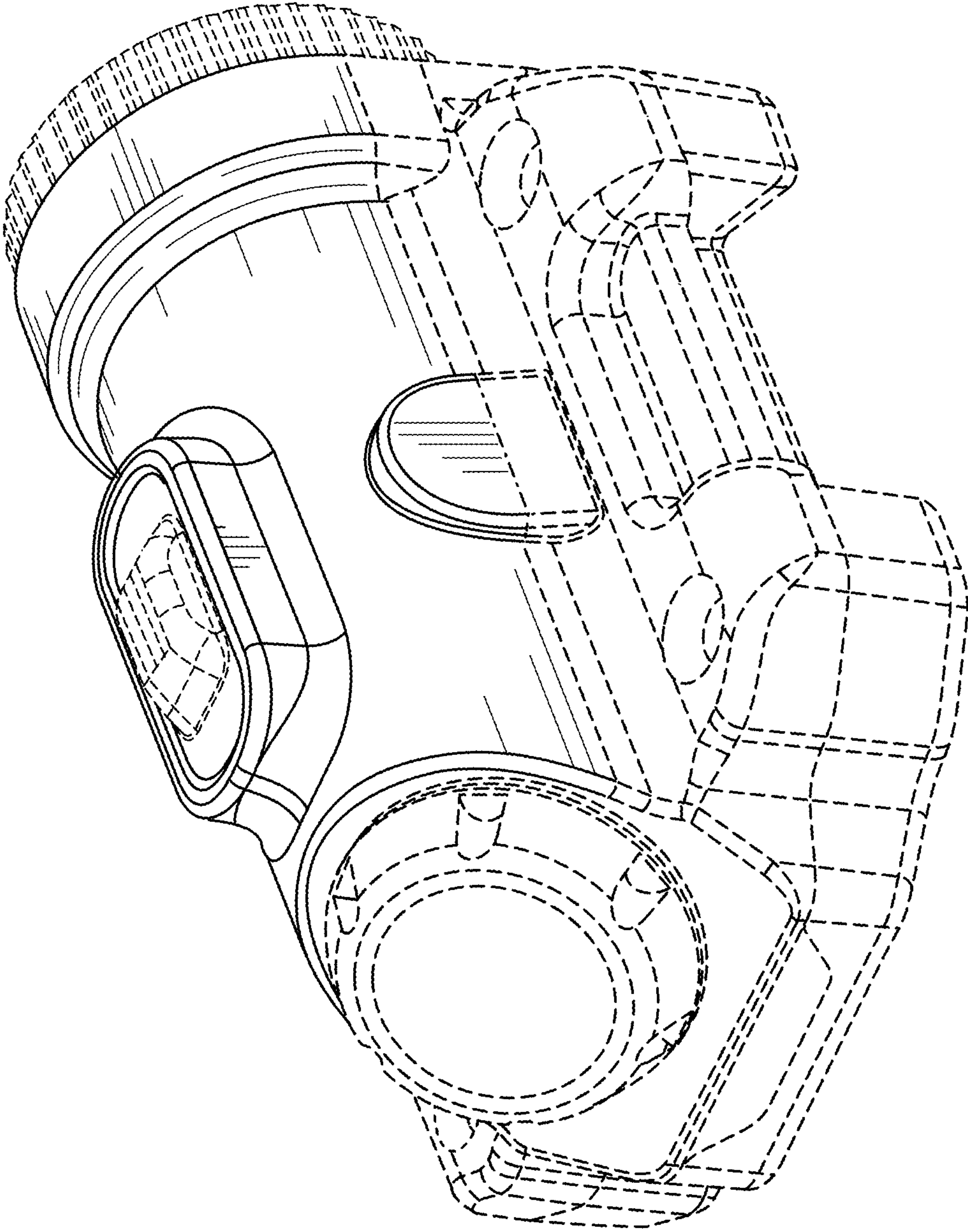


FIG. 1

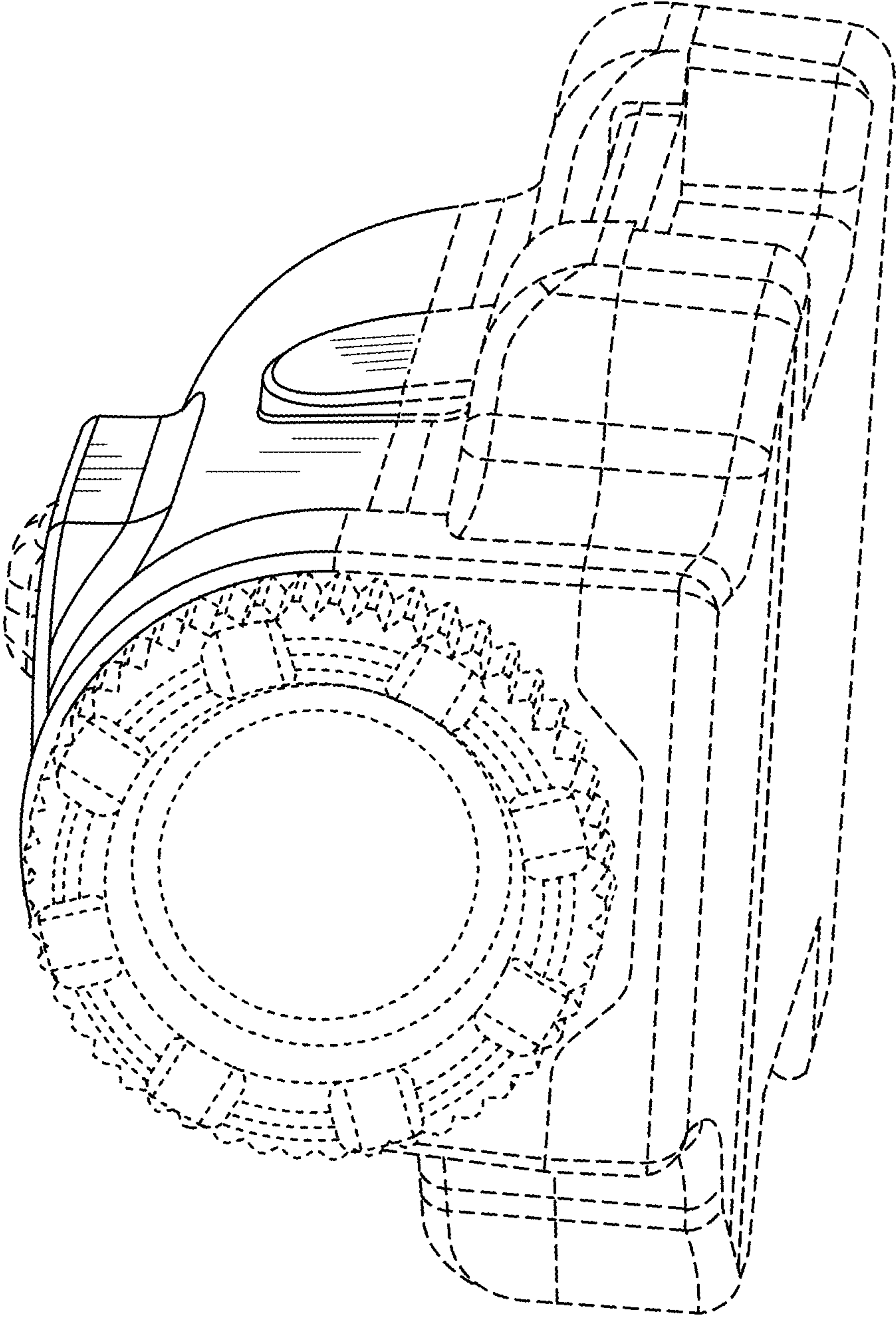


FIG. 2

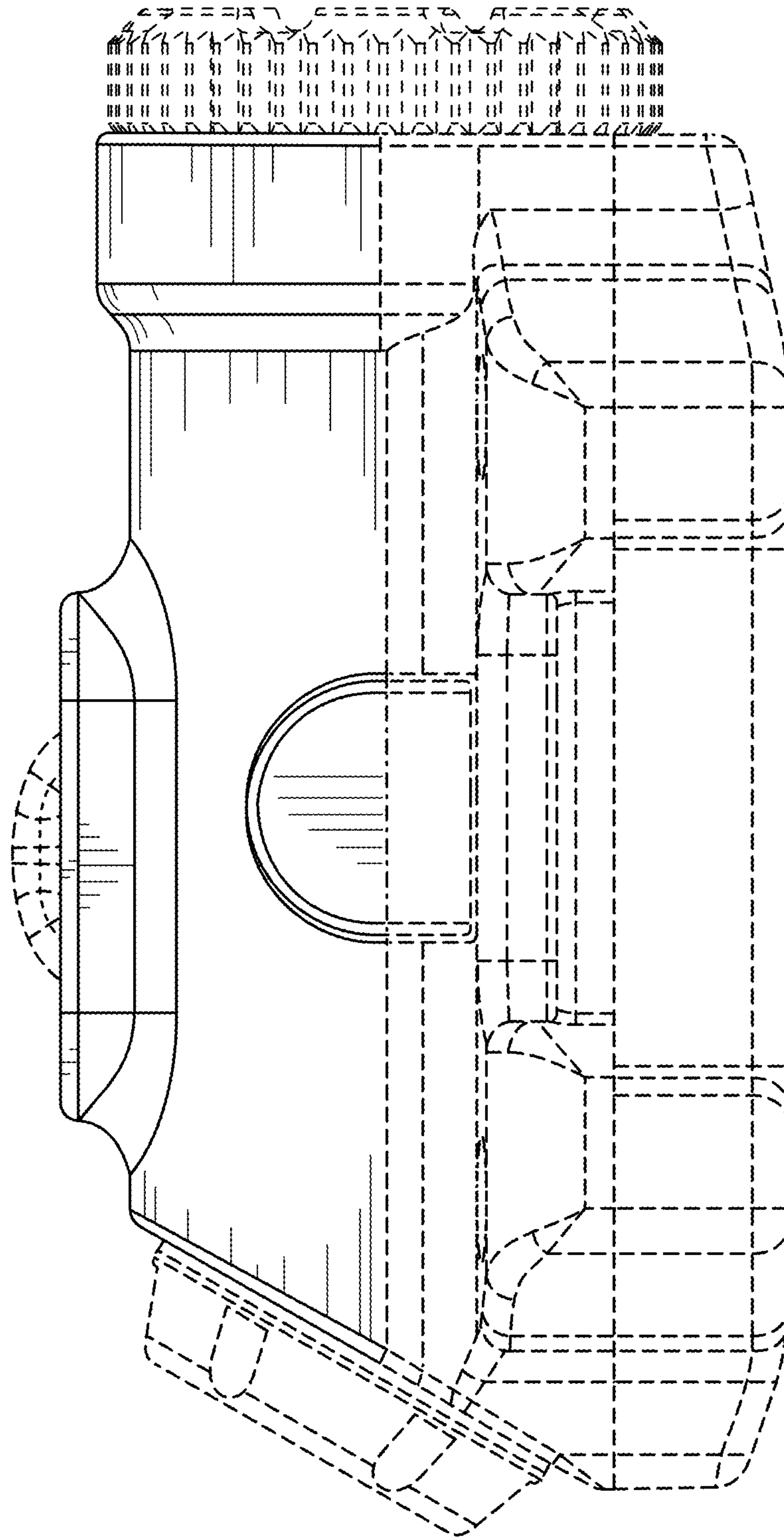


FIG. 3

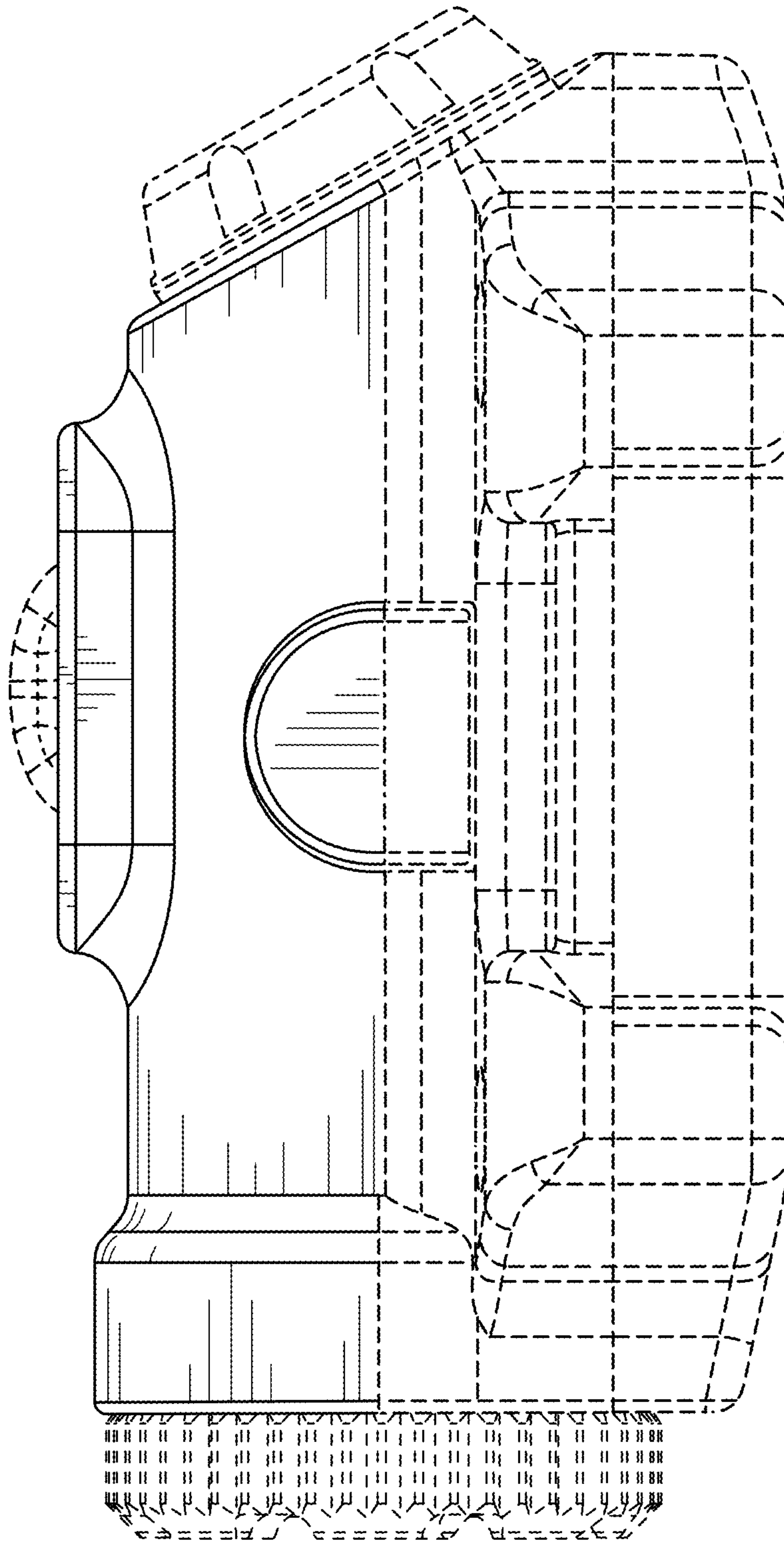


FIG. 4

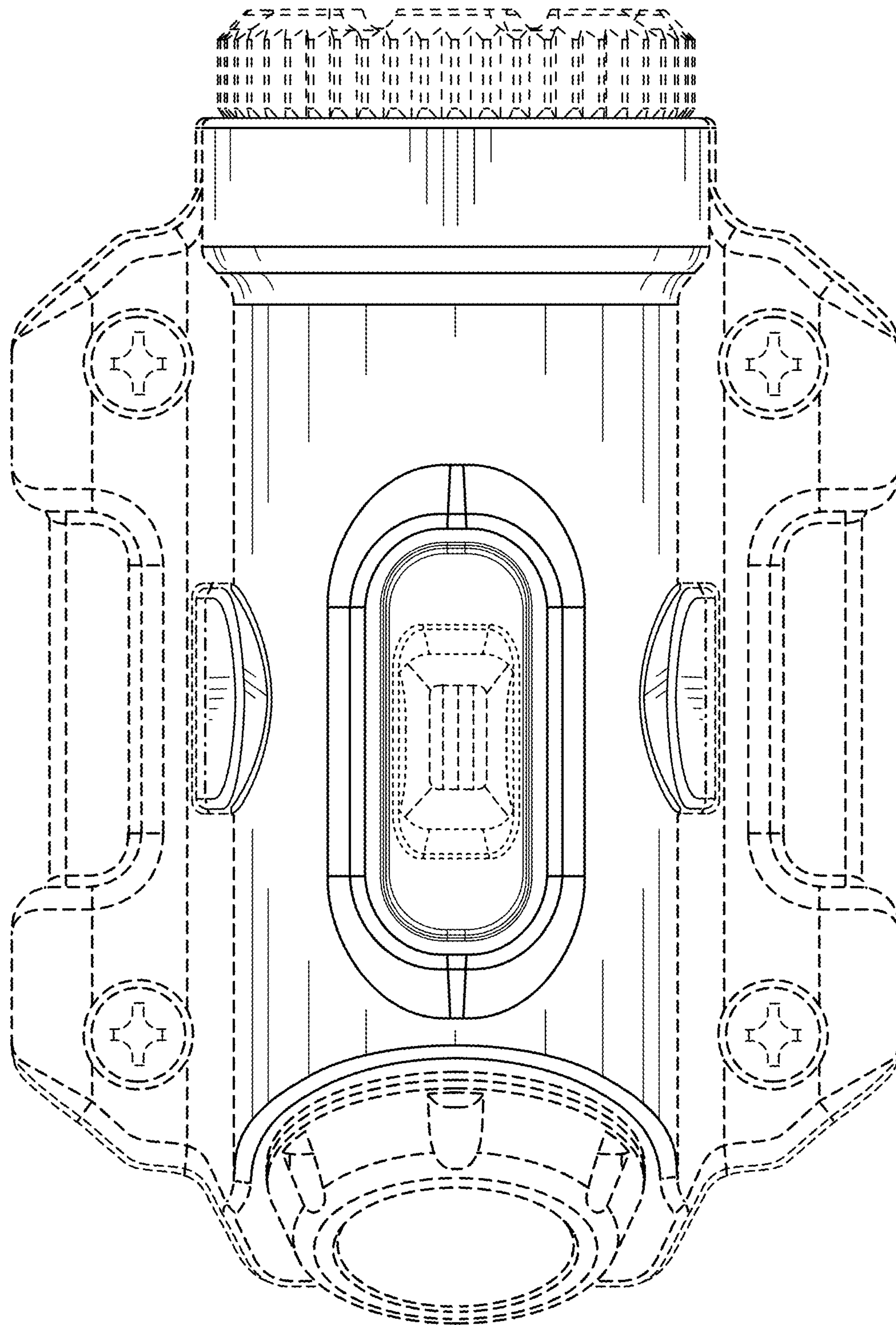


FIG. 5

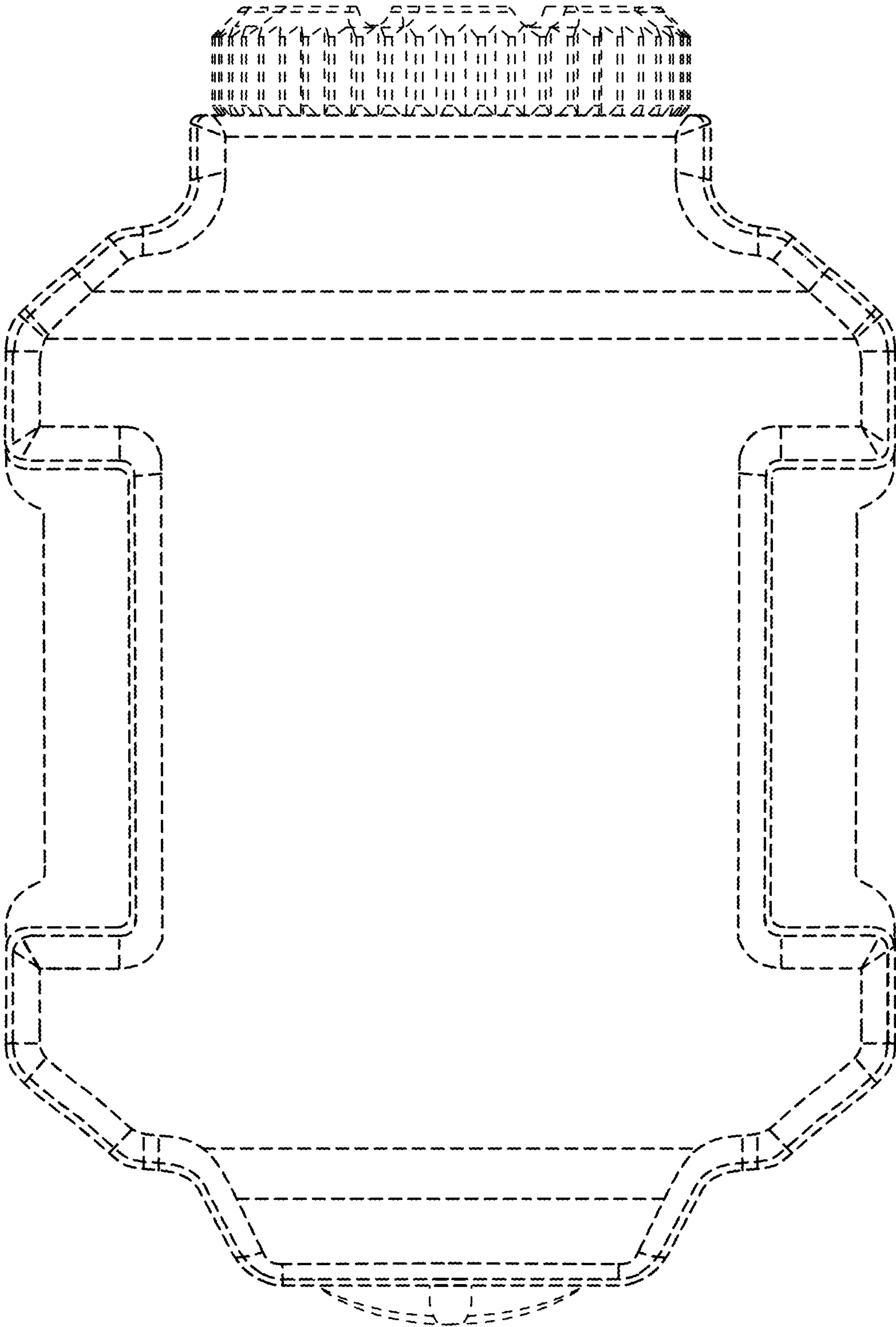


FIG. 6

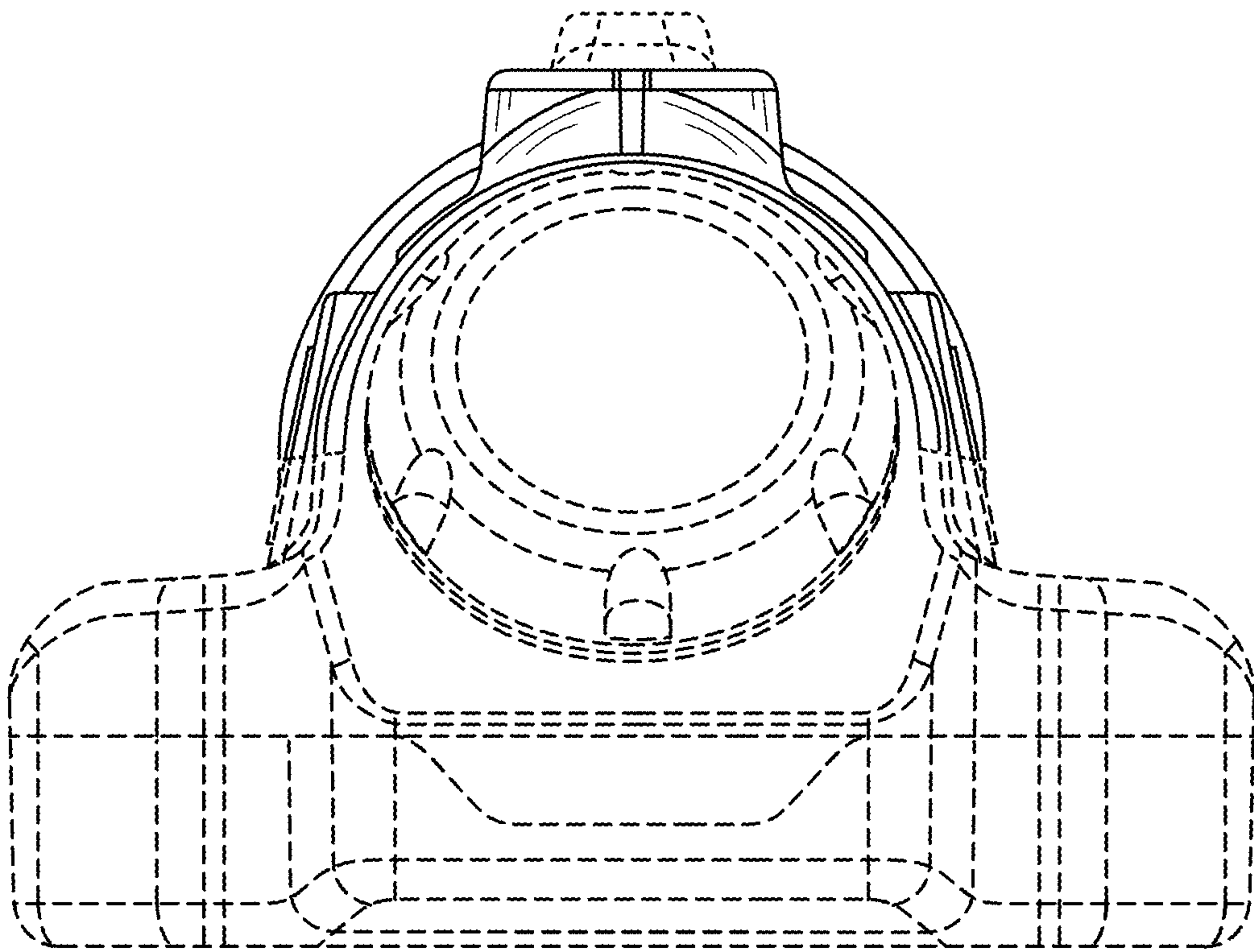


FIG. 7

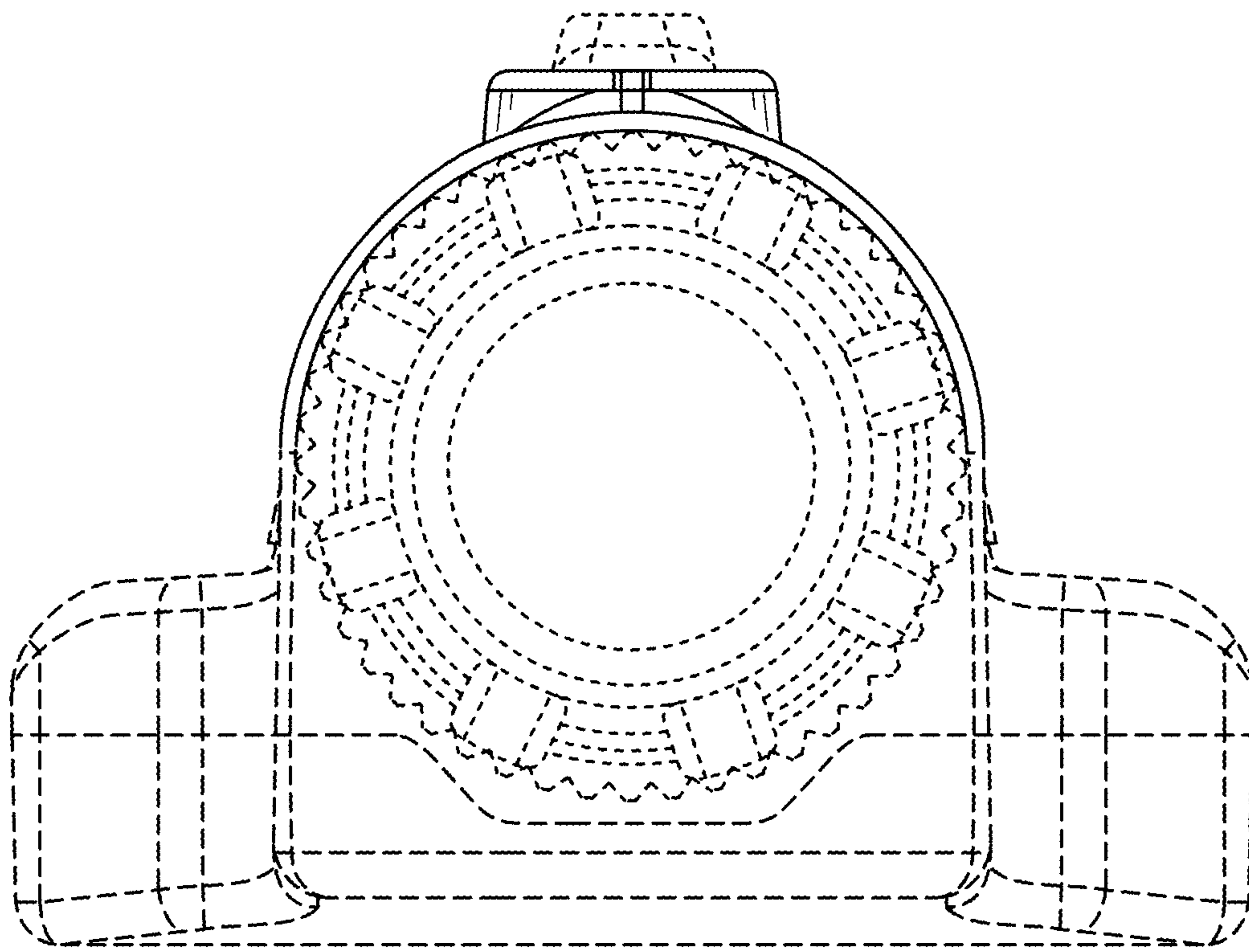


FIG. 8

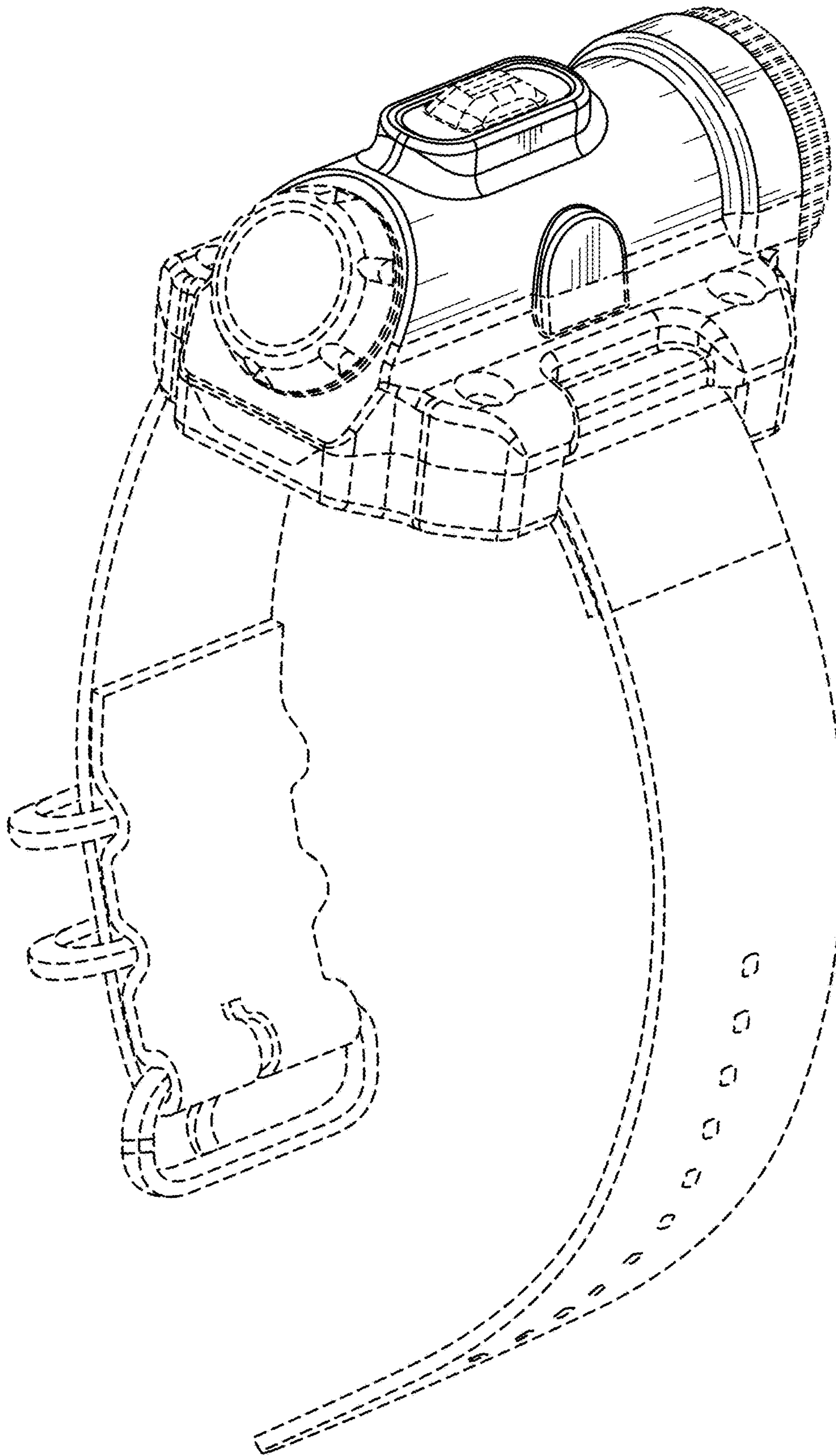


FIG. 9

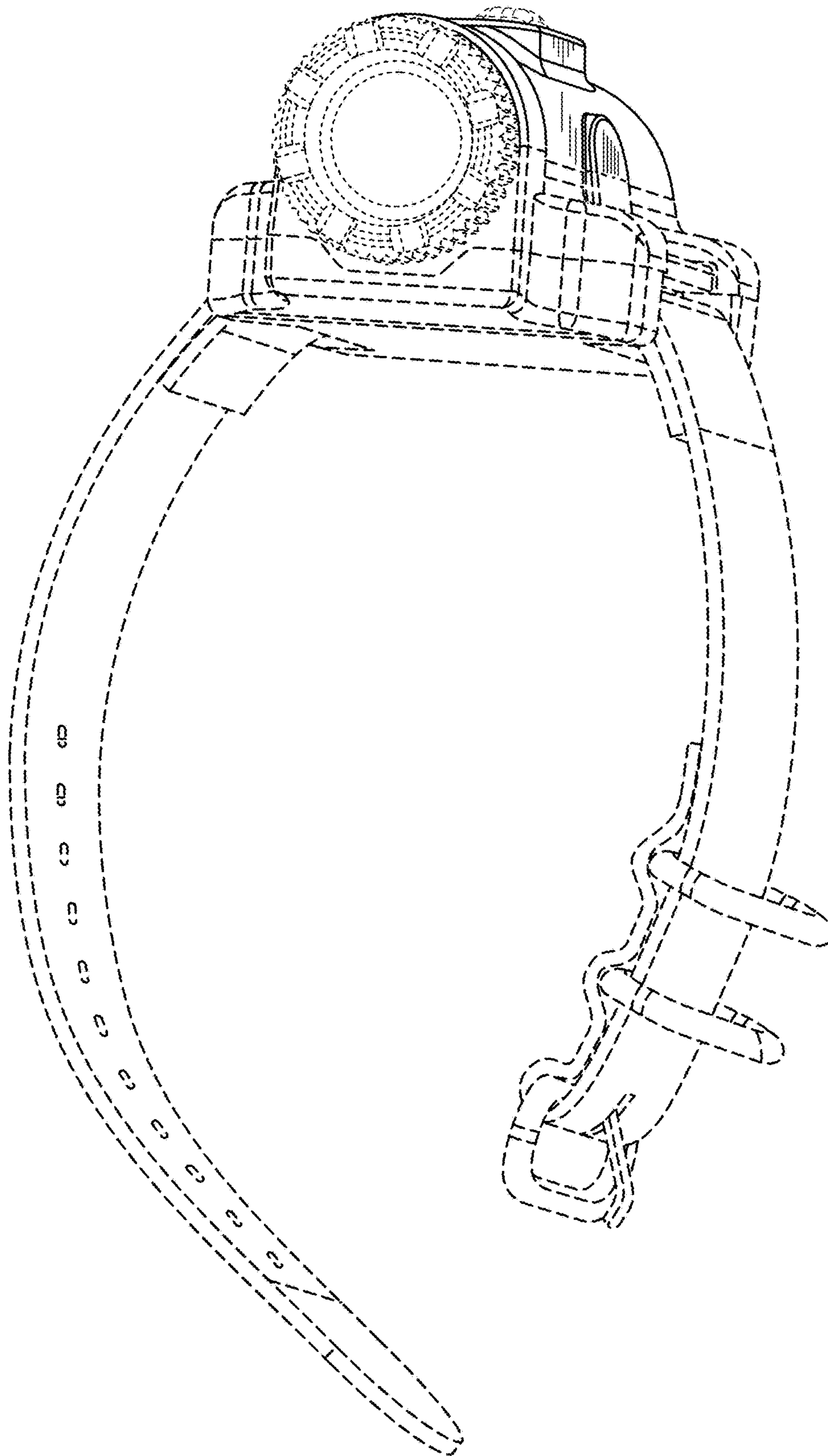


FIG. 10