



US00D790094S

(12) **United States Design Patent** (10) **Patent No.:** **US D790,094 S**
Ko (45) **Date of Patent:** **** Jun. 20, 2017**

(54) **UNDERWATER LIGHTING LAMP**
(71) Applicants: **In Hong Ko**, Seoul (KR); **VISION X ASIA CO., LTD.**, Hwaseong-si (KR)
(72) Inventor: **In Hong Ko**, Seoul (KR)
(73) Assignees: **In Hong Ko**, Seoul (KR); **VISION X ASIA CO., LTD.**, Gyeonggi-Do (KR)

D544,117 S * 6/2007 Coushaine D26/37
D561,372 S * 2/2008 Yan D26/72
D561,924 S * 2/2008 Yiu D26/72
D562,492 S * 2/2008 Chen D26/85
D599,921 S * 9/2009 Rivardo D26/24
D747,516 S * 1/2016 Yang D26/28
D748,831 S * 2/2016 Fan D26/28
D763,491 S * 8/2016 Tsai D26/28
D773,700 S * 12/2016 Aoki D26/28
D780,350 S * 2/2017 Dennis D26/28
2006/0250789 A1 * 11/2006 Coushaine F21S 9/02
362/157

(**) Term: **15 Years**

(21) Appl. No.: **29/567,941**

(22) Filed: **Jun. 14, 2016**

(30) **Foreign Application Priority Data**

Feb. 17, 2016 (KR) 30-2016-0007143

(51) **LOC (10) Cl.** **26-07**

(52) **U.S. Cl.**
USPC **D26/28**

(58) **Field of Classification Search**
USPC D26/28-36; 362/459-468, 475-478,
362/485-487

CPC F21S 48/00; F21S 48/10; F21S 48/115;
F21S 48/225; F21S 48/1233; F21S
48/1266; F21S 48/1388; F21S 48/2268;
F21V 21/04

See application file for complete search history.

(56) **References Cited**

U.S. PATENT DOCUMENTS

D484,270 S * 12/2003 Yiu D26/89
D535,039 S * 1/2007 Sorokin D26/24

* cited by examiner

Primary Examiner — Angela J Lee

(74) *Attorney, Agent, or Firm* — Cantor Colburn LLP

(57) **CLAIM**

The ornamental design for an underwater lighting lamp, as shown and described.

DESCRIPTION

FIG. 1 is a top side perspective view of an underwater lighting lamp showing my new design;
FIG. 2 is a bottom side perspective view thereof;
FIG. 3 is a front elevational view thereof;
FIG. 4 is a rear elevational view thereof;
FIG. 5 is a left side elevational view thereof;
FIG. 6 is a right side elevational view thereof;
FIG. 7 is a top plan view thereof; and,
FIG. 8 is a bottom plan view thereof.

1 Claim, 5 Drawing Sheets

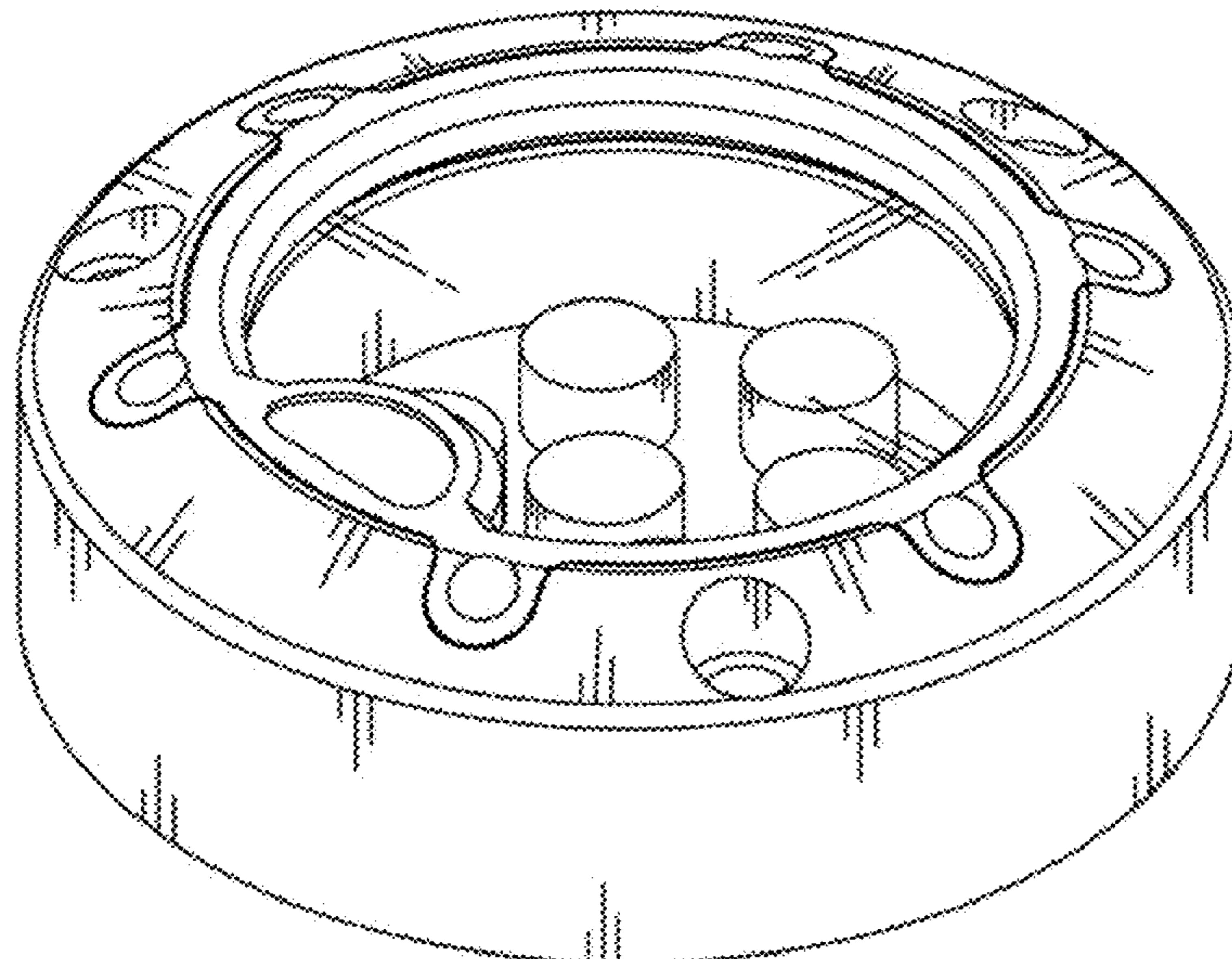


FIG. 1

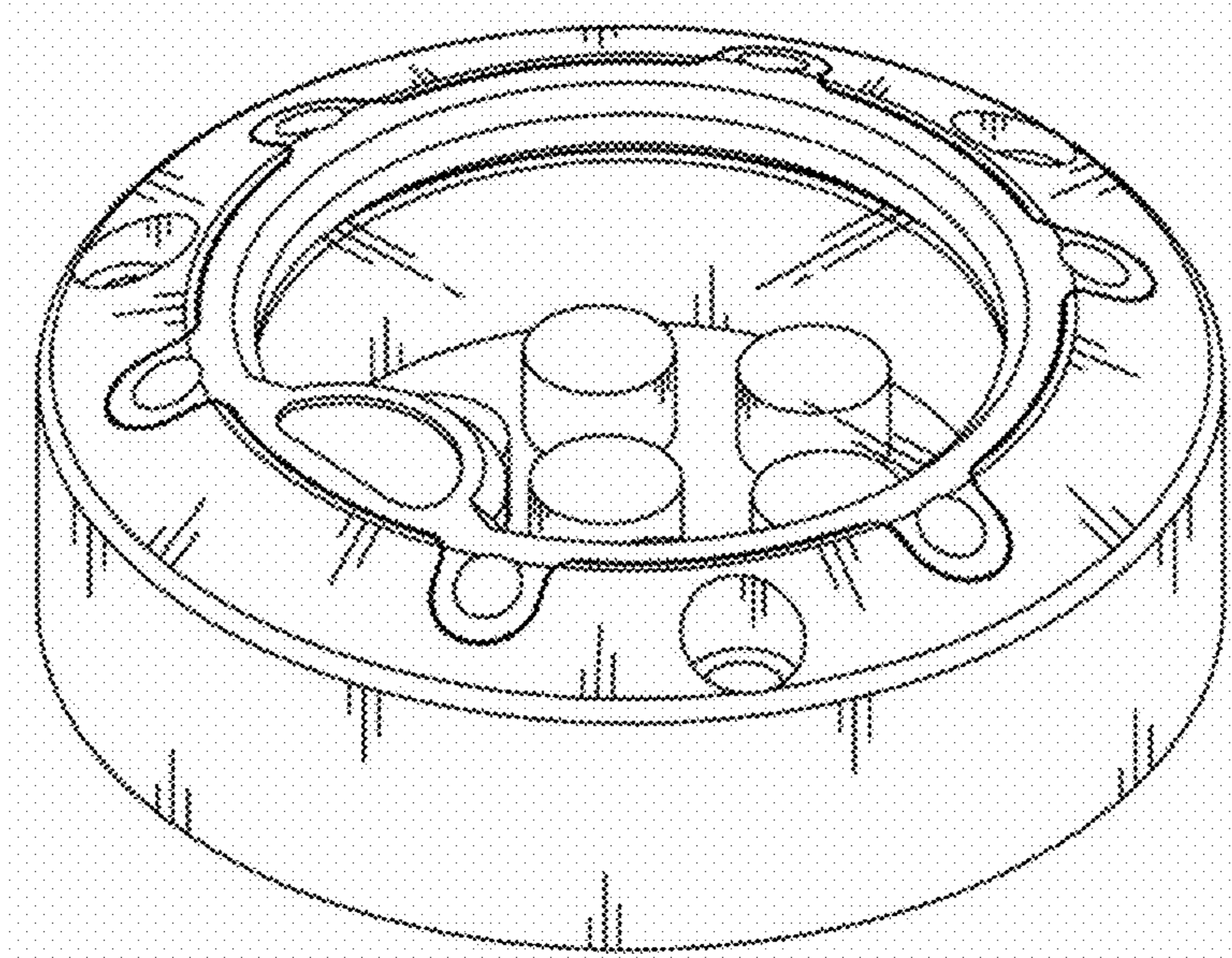


FIG. 2

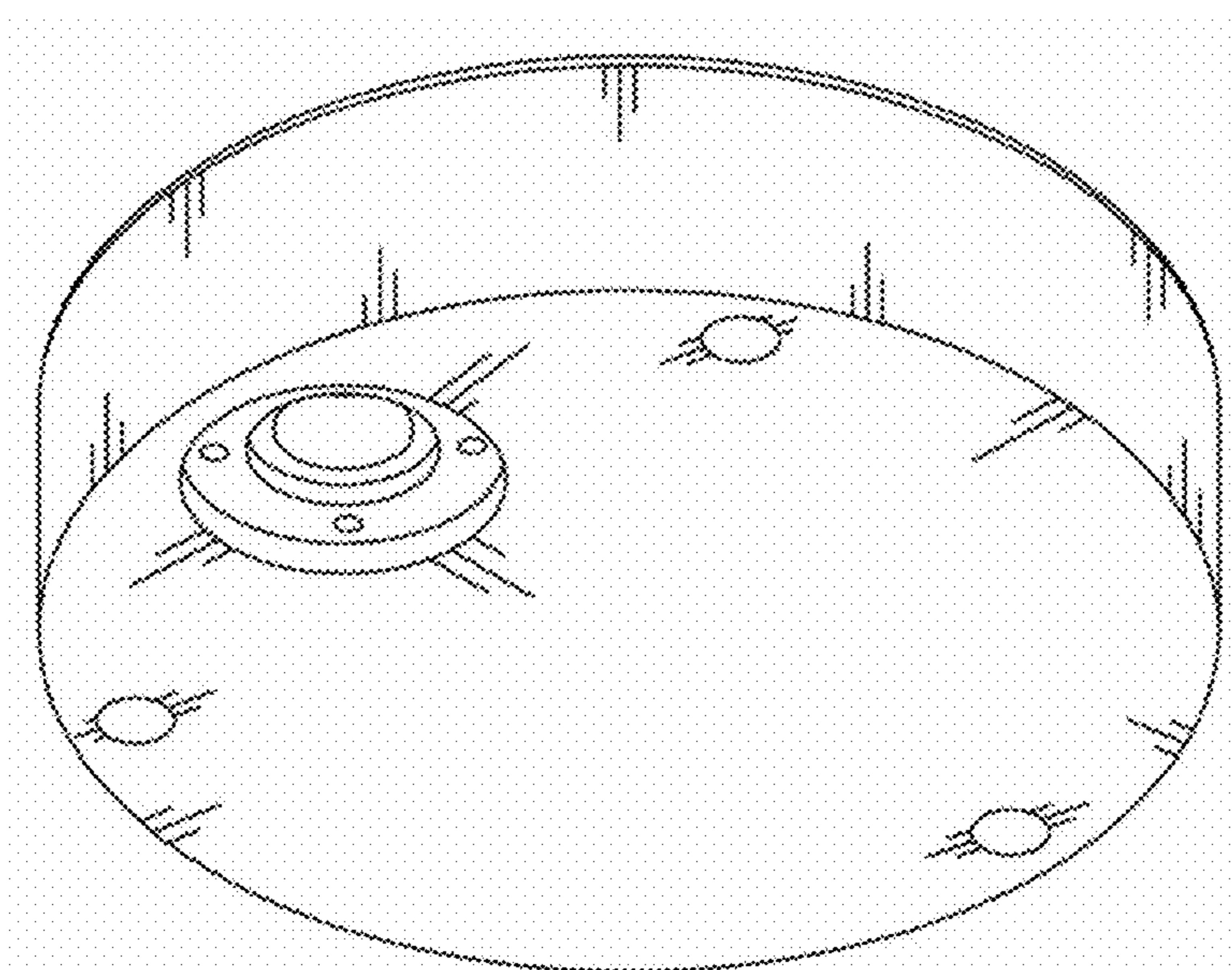


FIG. 3

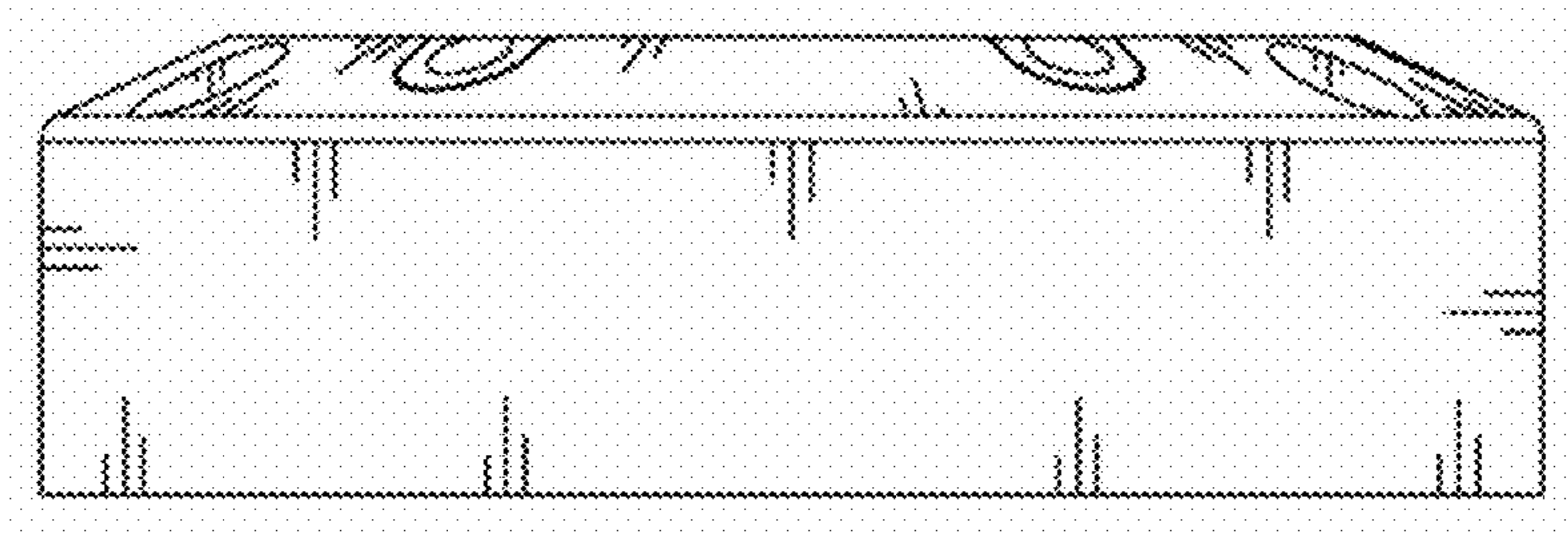


FIG. 4

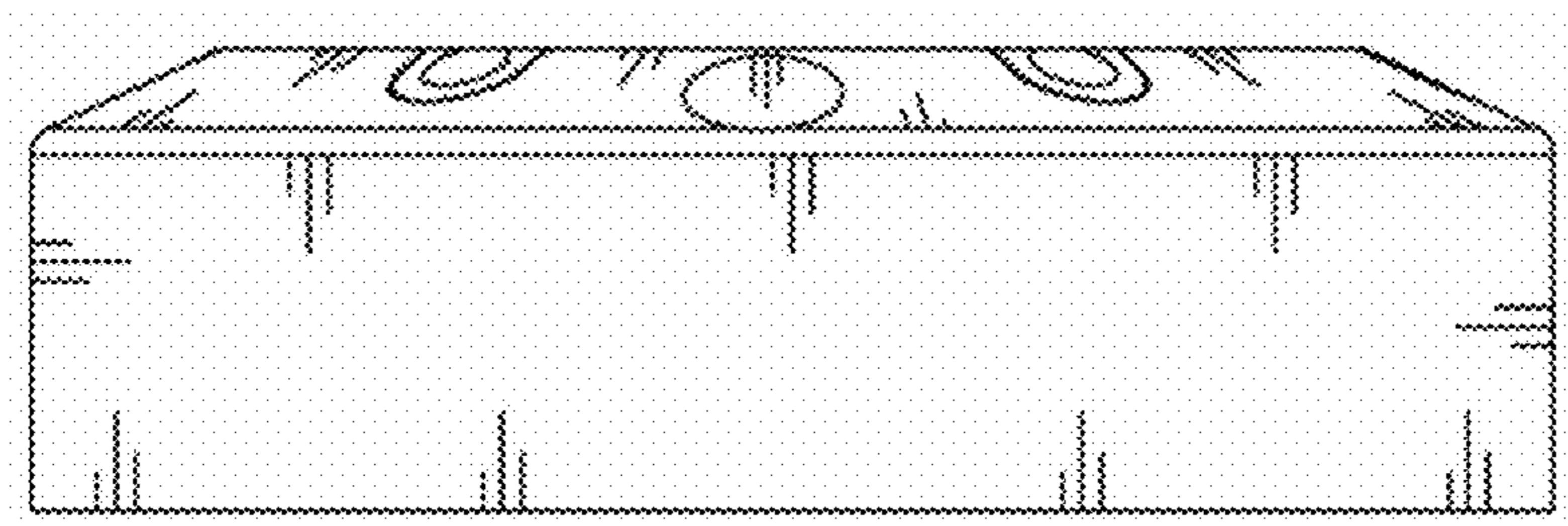


FIG. 5

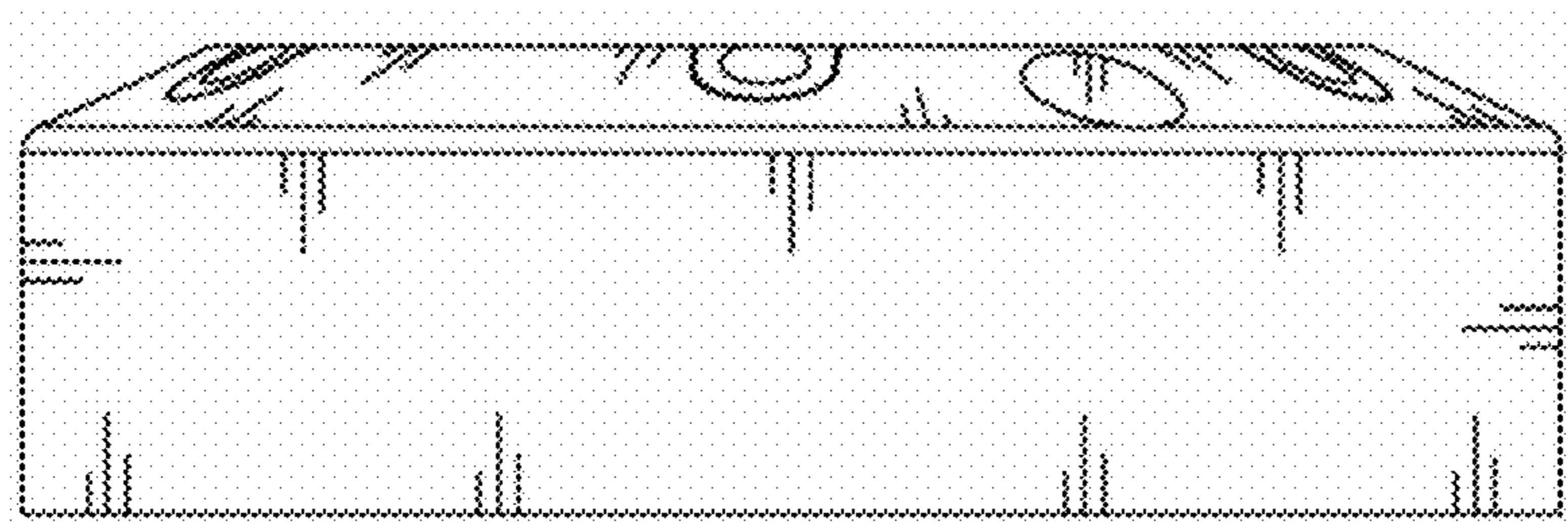


FIG. 6

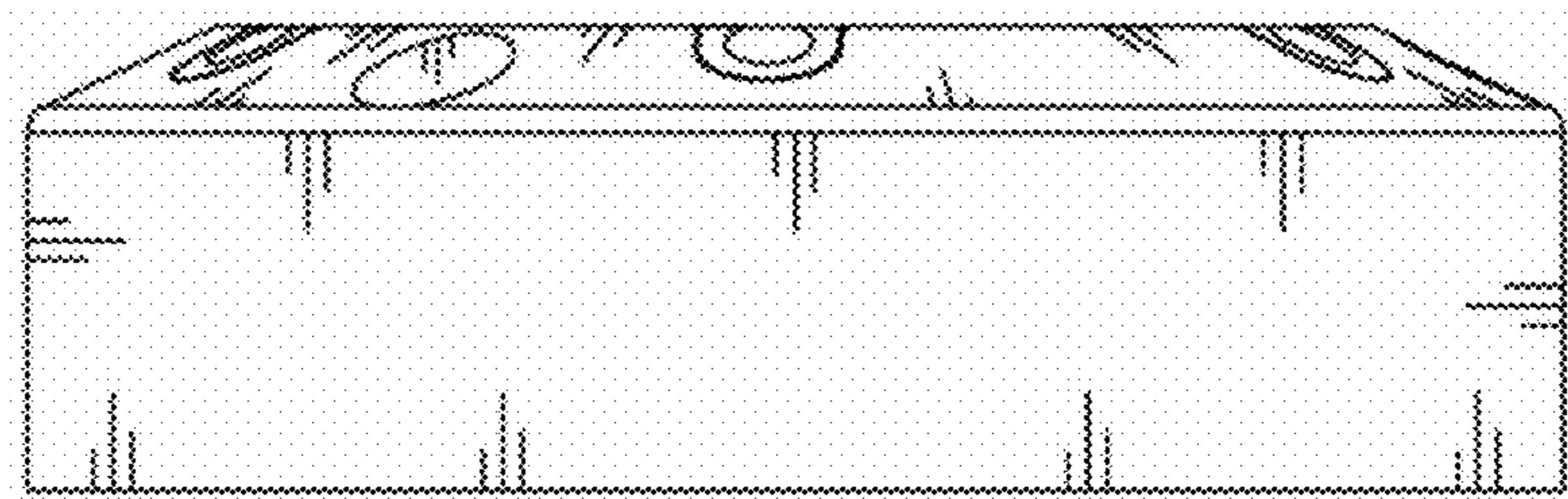


FIG. 7

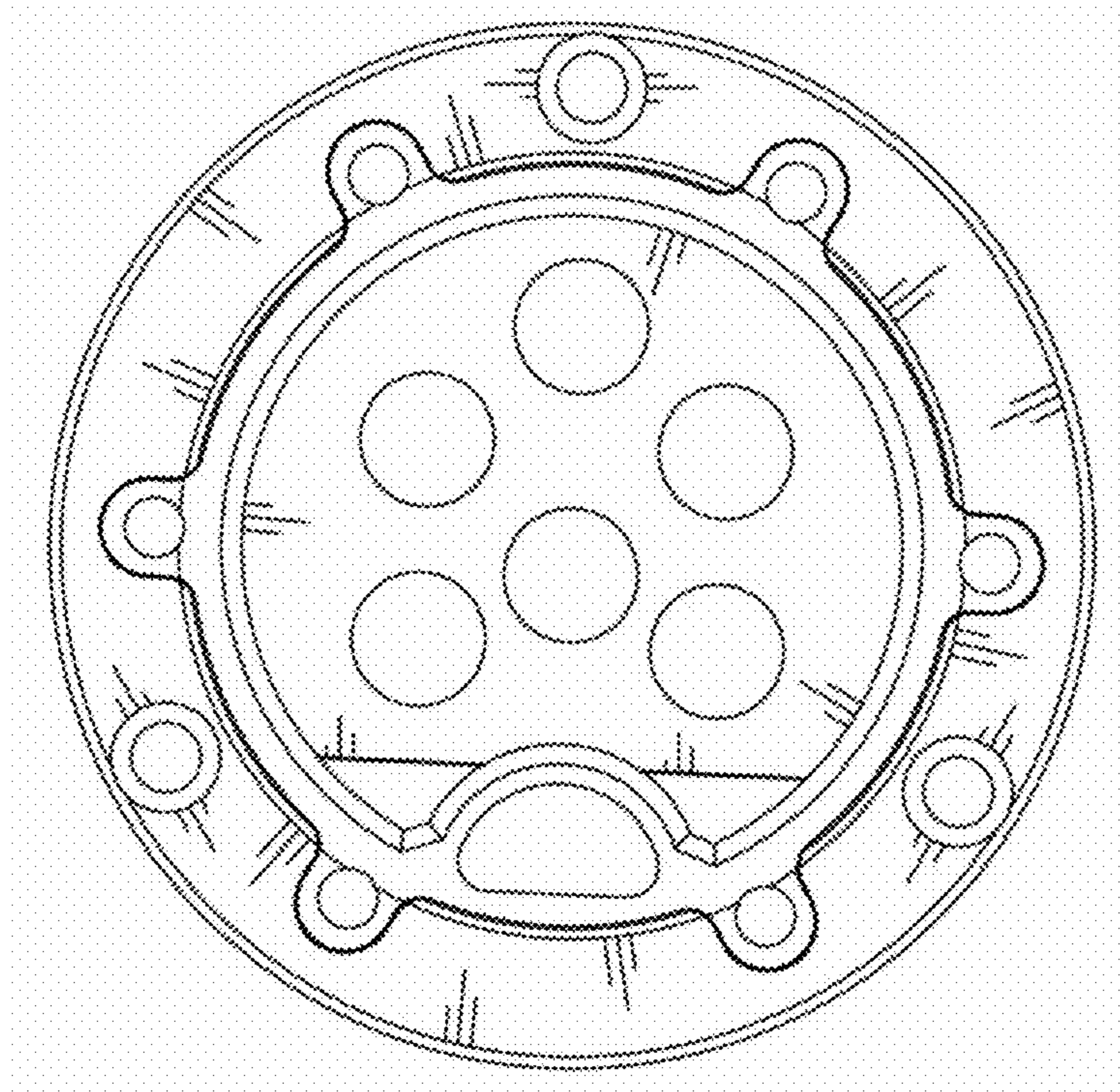


FIG. 8

