



US00D790091S

(12) **United States Design Patent** (10) **Patent No.:** **US D790,091 S**  
**Howard et al.** (45) **Date of Patent:** **\*\* Jun. 20, 2017**

(54) **LED NIGHT-LIGHT**

- (71) Applicant: **Mary Elle Fashions, Inc.**, St. Louis, MO (US)
- (72) Inventors: **Kenneth A. Howard**, Creve Coeur, MO (US); **James J. Riley**, St. Louis, MO (US); **Matthew S. Smith**, St. Charles, MO (US); **Gavin Perry**, St. Louis, MO (US)
- (73) Assignee: **Mary Elle Fashions, Inc.**, St. Louis, MO (US)
- (\*\*) Term: **15 Years**
- (21) Appl. No.: **29/554,061**
- (22) Filed: **Feb. 8, 2016**

**Related U.S. Application Data**

- (62) Division of application No. 29/441,006, filed on Dec. 29, 2012, now Pat. No. Des. 751,228.
- (51) **LOC (10) Cl.** ..... **26-05**
- (52) **U.S. Cl.**  
USPC ..... **D26/26**
- (58) **Field of Classification Search**  
USPC .... D26/9-16, 24, 26, 51, 61, 72, 76, 80, 81, D26/85, 86, 88, 90, 113, 118, 119, 120, D26/122, 128, 129, 138, 143, 144; 362/3, 4, 8, 145, 147, 150, 249.01, 249.5, 362/296.01, 296.05, 308, 317, 326, 327, 362/330, 331, 334, 335, 341, 347, 362, 362/364-366, 368, 370-373, 640-644  
CPC ... B60Q 1/04; B60Q 1/26; F21L 19/00; F21V 7/00; F21V 7/22; F21V 21/02; F21V 21/04; F21V 21/83; F21V 29/004; F21V 29/83; F21V 29/2212; F21Y 2101/02; F21S 8/026; F21S 8/04; F21S 8/035; F21S 2/005; A61L 9/127; A61L 2209/131  
See application file for complete search history.

(56) **References Cited**

**U.S. PATENT DOCUMENTS**

- D113,227 S 2/1939 Jette  
2,905,779 A 9/1959 Schmier  
(Continued)

**OTHER PUBLICATIONS**

Night Light, NationalArtCraft.com, published on Mar. 23, 2006, online. Visited Nov. 9, 2016. Internet URL:<<"https://web.archive.org/web/20060323012614/http://www.nationalartcraft.com/subcategory.asp?gid=1&cid=19&scid=10">.\*

*Primary Examiner* — Cynthia Ramirez  
*Assistant Examiner* — Llorellys Martinez-Rivera  
(74) *Attorney, Agent, or Firm* — Senniger Powers LLP

(57) **CLAIM**

The ornamental design for an LED night-light, as shown and described.

**DESCRIPTION**

FIG. 1 is a perspective view of an LED night-light showing our new design;  
FIG. 2 is another perspective view of the LED night-light of FIG. 1;  
FIG. 3 is a front view of the LED night-light of FIG. 1;  
FIG. 4 is a right side view of the LED night-light of FIG. 1;  
FIG. 5 is a top plan view of the LED night-light of FIG. 1;  
FIG. 6 is a rear view of the LED night-light of FIG. 1;  
FIG. 7 is a bottom plan view of the LED night-light of FIG. 1; and,  
FIG. 8 is a left side view of the LED night-light of FIG. 1. The lens shown in broken lines in FIG. 2 represents environmental subject matter only and forms no part of the claimed design. The other broken lines in the drawings illustrate portions of the LED night-light that form no part of the claimed design.

**1 Claim, 8 Drawing Sheets**

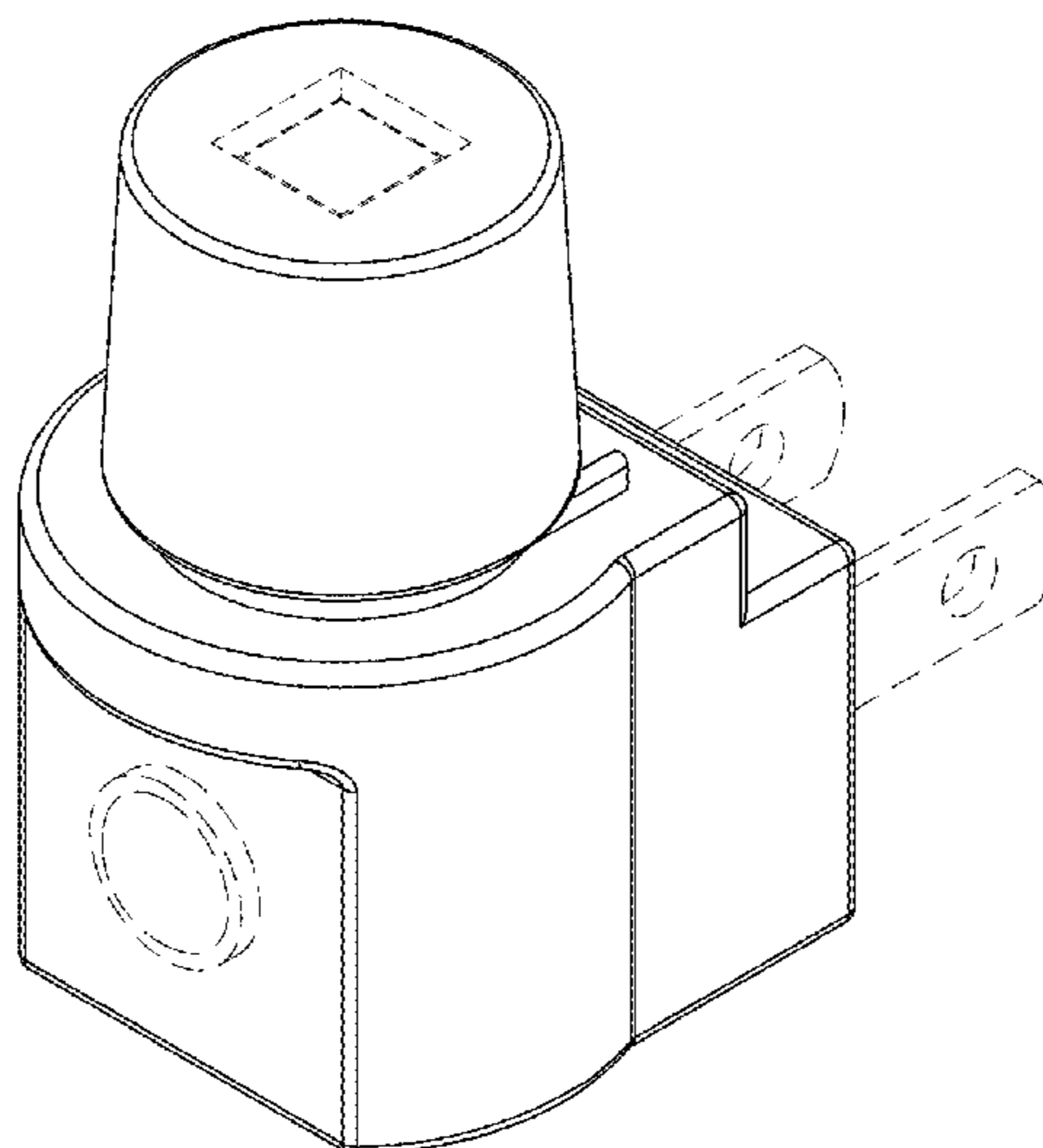




FIG. 1

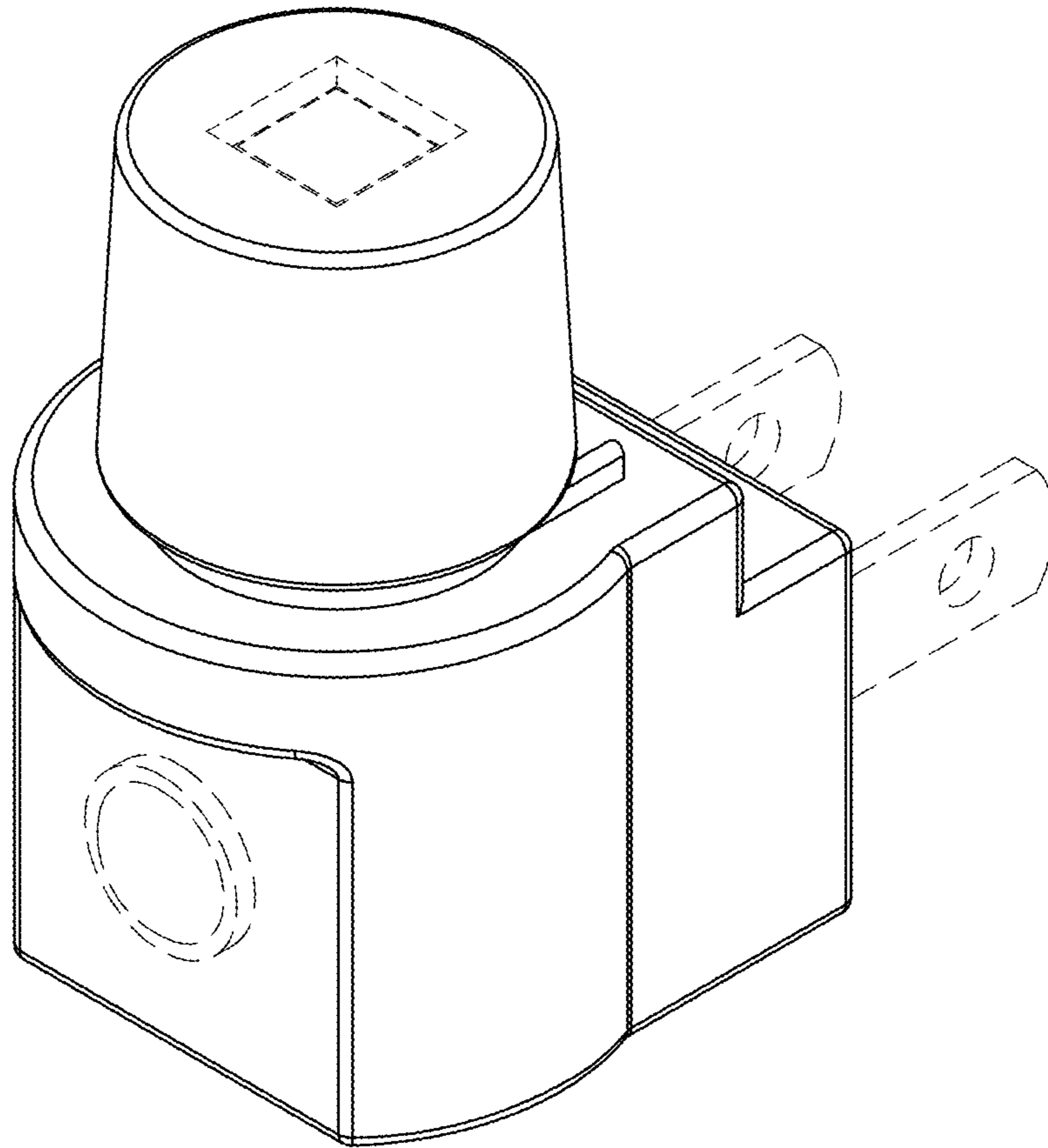


FIG. 2

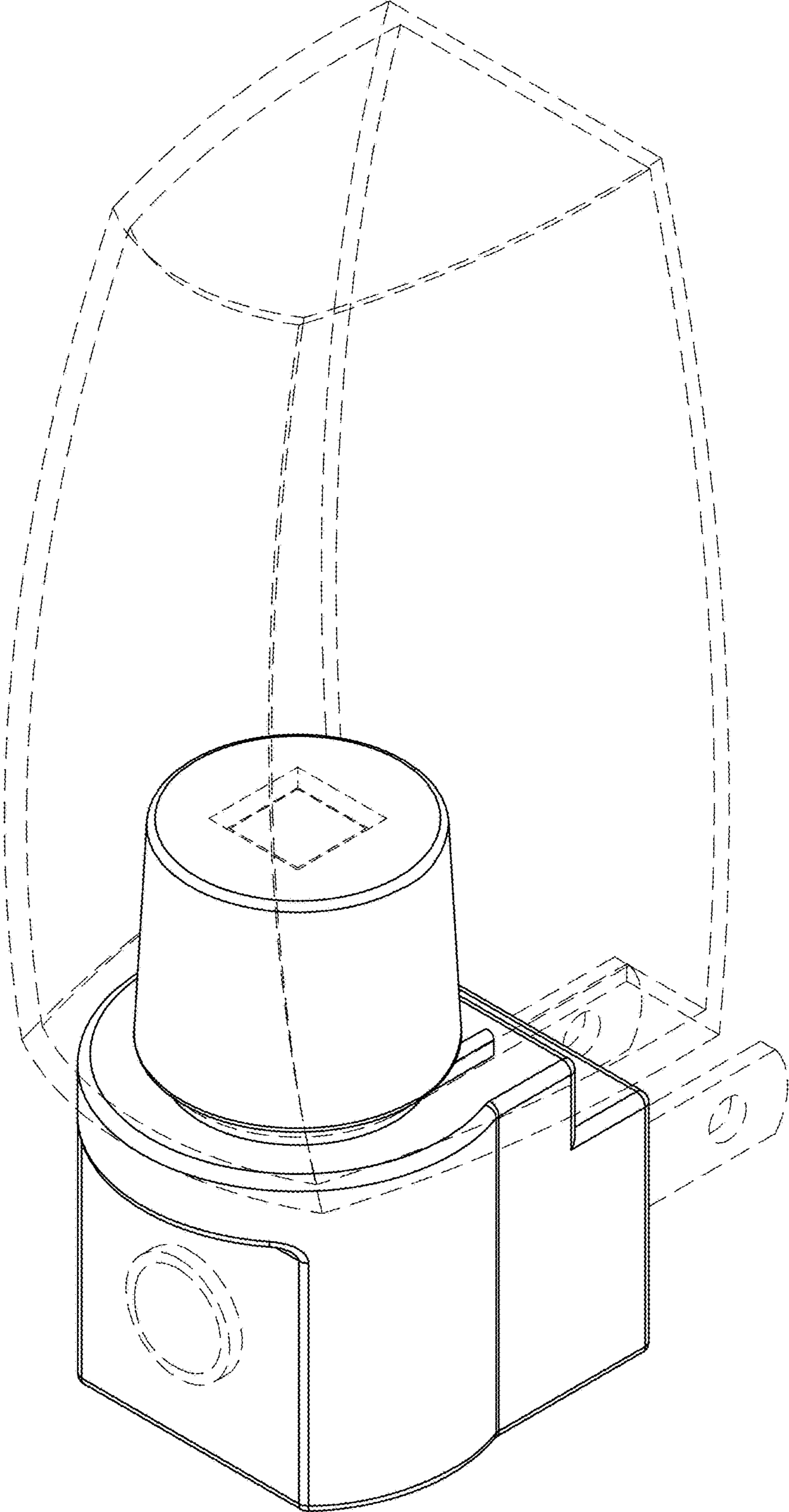


FIG. 3

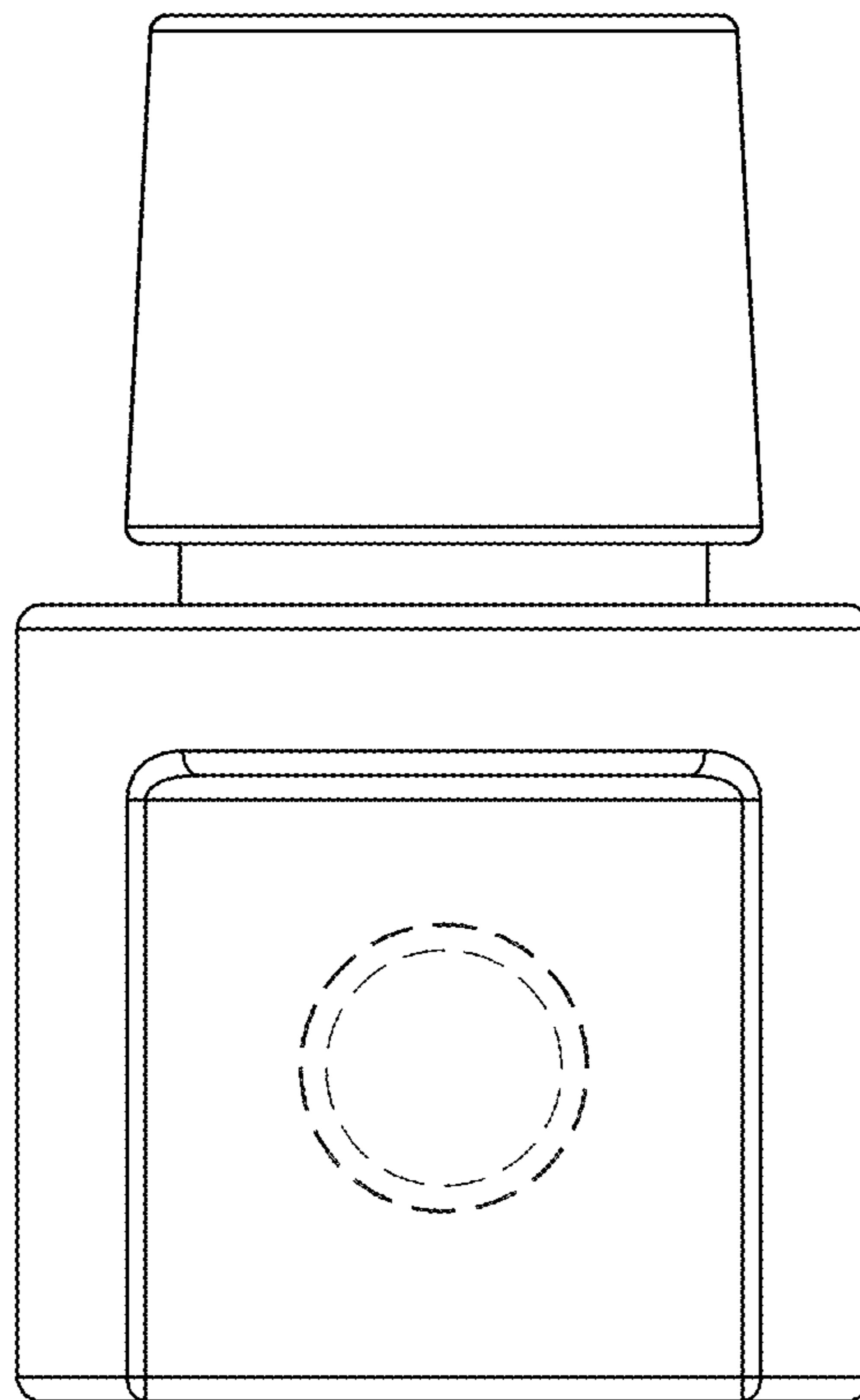


FIG. 4

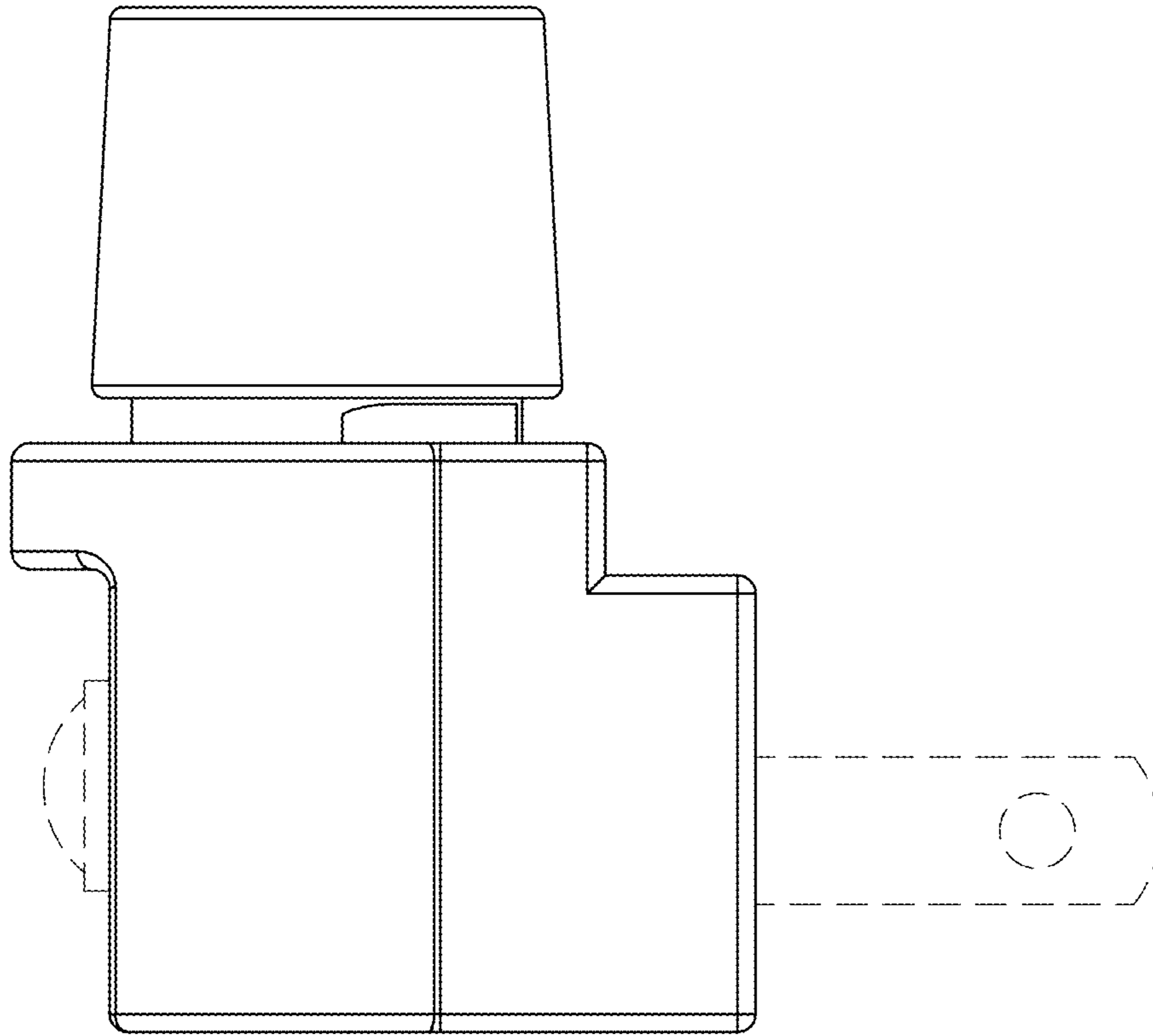


FIG. 5

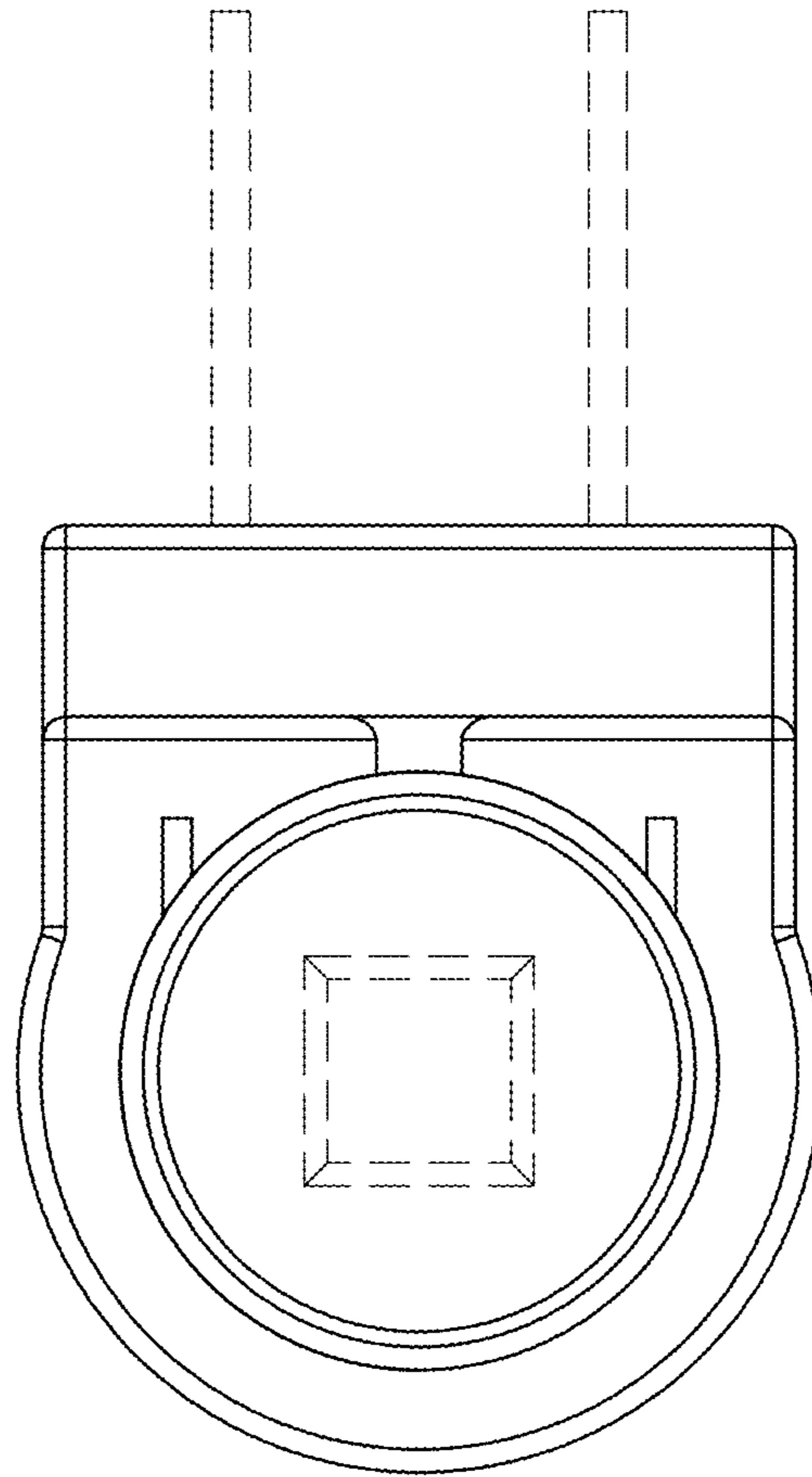


FIG. 6

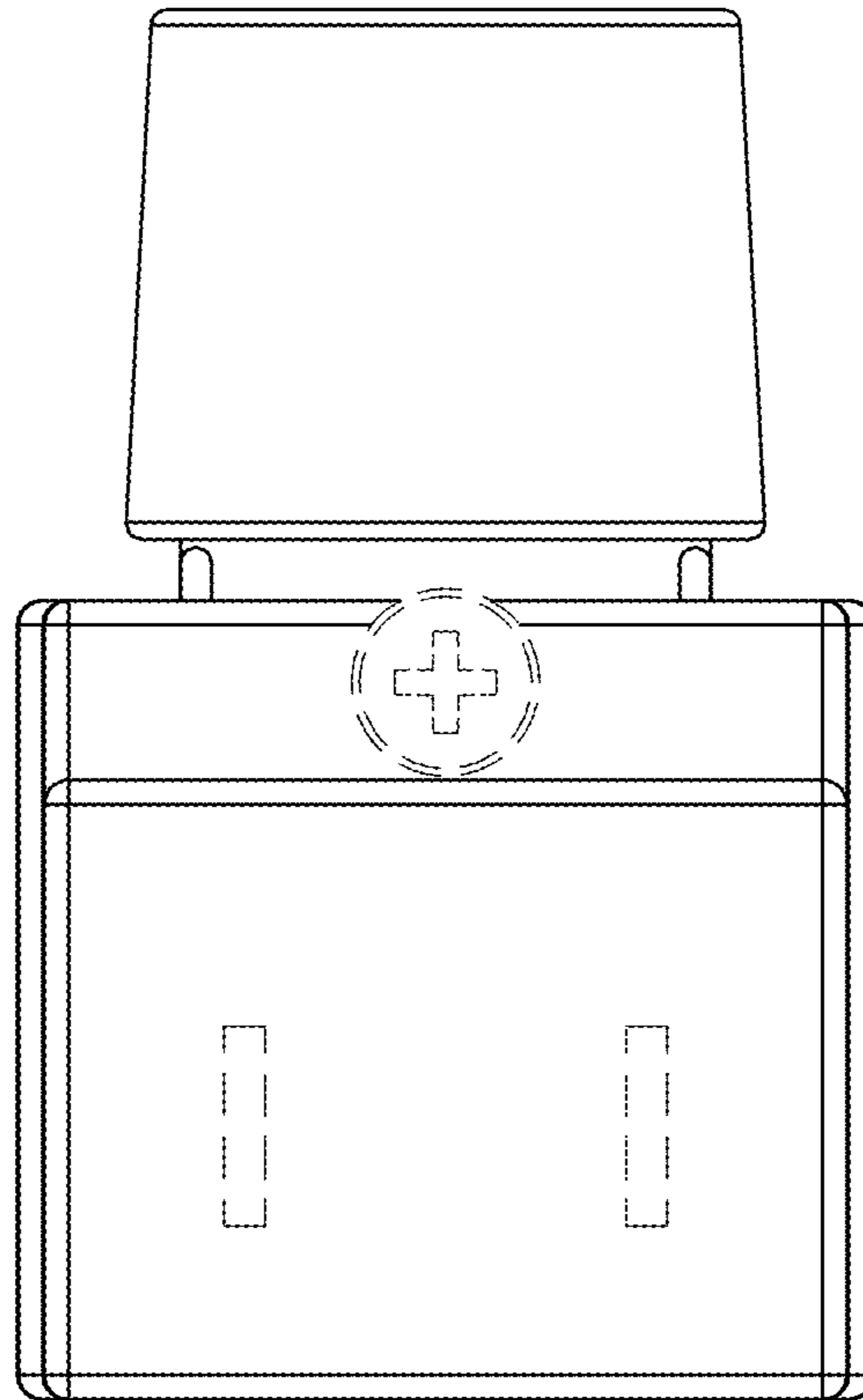




FIG. 7

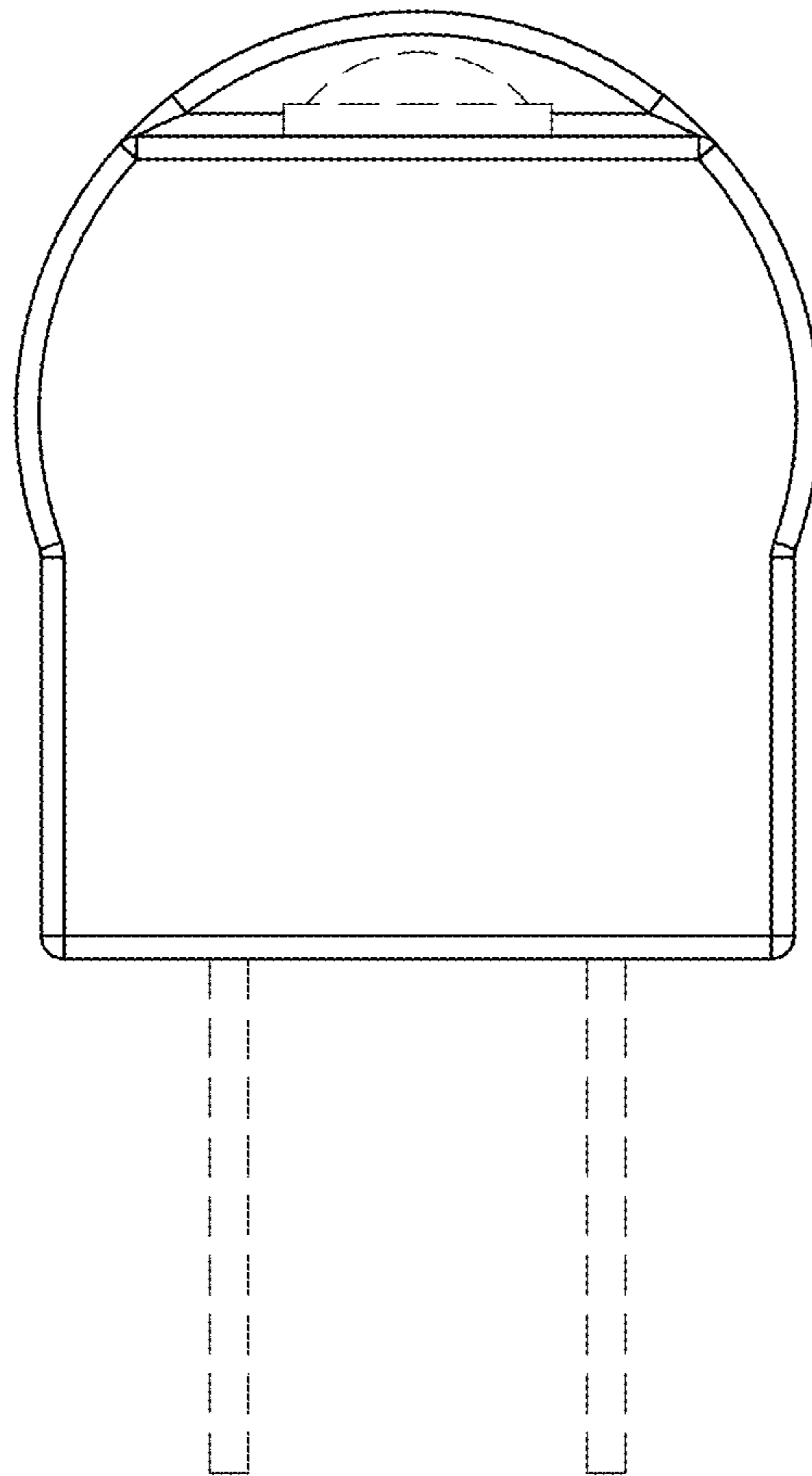


FIG. 8

