



US00D790090S

(12) **United States Design Patent** (10) **Patent No.:** **US D790,090 S**  
**Howard et al.** (45) **Date of Patent:** **\*\* Jun. 20, 2017**

(54) **LED NIGHT-LIGHT**

- (71) Applicant: **Mary Elle Fashions, Inc.**, St. Louis, MO (US)
- (72) Inventors: **Kenneth A. Howard**, Creve Coeur, MO (US); **James J. Riley**, St. Louis, MO (US); **Matthew S. Smith**, St. Charles, MO (US); **Gavin Perry**, St. Louis, MO (US)
- (73) Assignee: **Mary Elle Fashions, Inc.**, St. Louis, MO (US)
- (\*\*) Term: **15 Years**
- (21) Appl. No.: **29/554,060**
- (22) Filed: **Feb. 8, 2016**

**Related U.S. Application Data**

- (62) Division of application No. 29/441,006, filed on Dec. 29, 2012, now Pat. No. Des. 751,228.
- (51) **LOC (10) Cl.** ..... **26-05**
- (52) **U.S. Cl.**  
USPC ..... **D26/26**
- (58) **Field of Classification Search**  
USPC .... D26/9-16, 24, 51, 61, 72, 76, 80, 81, 85, D26/86, 88, 90, 113, 118, 119, 120, 122, D26/128, 129, 138, 143, 144; 362/3, 4, 362/8, 145, 147, 150, 249.01, 249.5, 362/296.01, 296.05, 308, 317, 326, 327, 362/330, 331, 334, 335, 341, 347, 362, 362/364-366, 368, 370-373, 640-644  
CPC ... B60Q 1/04; B60Q 1/26; F21L 19/00; F21V 7/00; F21V 7/22; F21V 21/02; F21V 21/04; F21V 21/83; F21V 29/004; F21V 29/83; F21V 29/2212; F21Y 2101/02; F21S 8/026; F21S 8/04; F21S 8/035; F21S 2/005; A61L 9/127; A61L 2209/131  
See application file for complete search history.

(56) **References Cited**

U.S. PATENT DOCUMENTS

- D113,227 S 2/1939 Jette  
2,905,779 A 9/1959 Schmier  
(Continued)

OTHER PUBLICATIONS

Night Light, NationalArtCraft.com, published on Mar. 23, 2006, online, Visited Nov. 9, 2016. Internet URL: <<"https://web.archive.org/web/20060323012614/http://www.nationalartcraft.com/subcategory.asp?gid=1&cid=19&scid=10">>.

*Primary Examiner* — Cynthia Ramirez  
*Assistant Examiner* — Llorellys Martinez-Rivera  
(74) *Attorney, Agent, or Firm* — Senniger Powers LLP

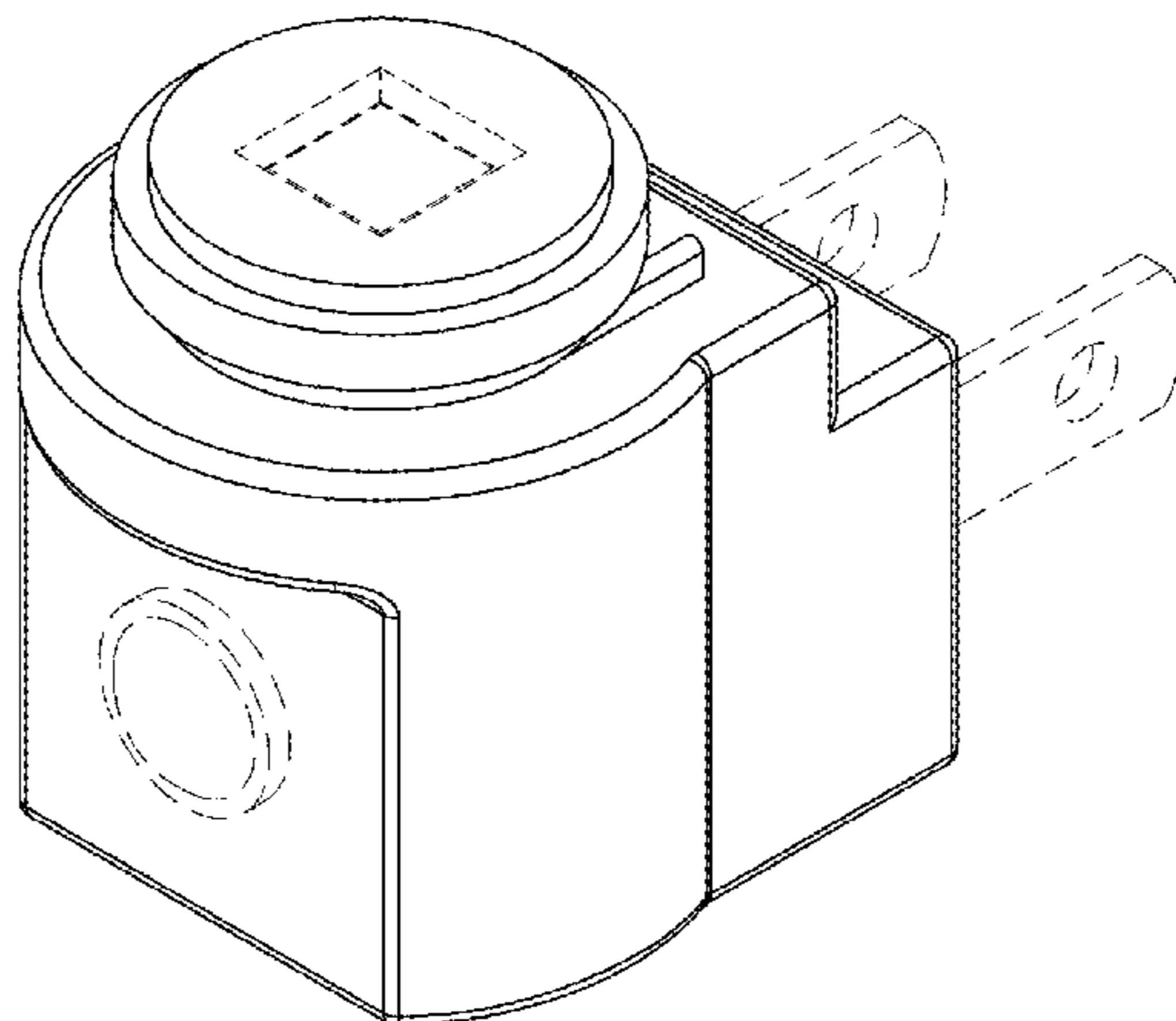
(57) **CLAIM**

The ornamental design for an LED night-light, as shown and described.

**DESCRIPTION**

FIG. 1 is a perspective view of an LED night-light showing our new design;  
FIG. 2 is another perspective view of the LED night-light of FIG. 1;  
FIG. 3 is a front view of the LED night-light of FIG. 1;  
FIG. 4 is a right side view of the LED night-light of FIG. 1;  
FIG. 5 is a top plan view of the LED night-light of FIG. 1;  
FIG. 6 is a rear view of the LED night-light of FIG. 1;  
FIG. 7 is a bottom plan view of the LED night-light of FIG. 1; and,  
FIG. 8 is a left side view of the LED night-light of FIG. 1. The lens shown in broken lines in FIG. 2 represents environmental subject matter only and forms no part of the claimed design. The other broken lines in the drawings illustrate portions of the LED night-light that form no part of the claimed design.

**1 Claim, 8 Drawing Sheets**



**US D790,090 S**

(56)

**References Cited**

U.S. PATENT DOCUMENTS

3,780,260 A	12/1973	Elsner		8,147,116 B1 *	4/2012	Hsiao .....	F21S 8/035
3,968,355 A	7/1976	Smallegan					362/326
4,228,389 A	10/1980	Vennard		8,215,820 B2 *	7/2012	Howard .....	F21S 8/035
4,343,032 A	8/1982	Schwartz					362/641
D288,967 S	3/1987	Naft		8,241,343 B2	8/2012	Douglass et al.	
D291,125 S	7/1987	Fenne		8,303,158 B2 *	11/2012	Chien .....	G09F 9/33
4,714,984 A	12/1987	Spector					362/249.02
5,263,577 A	11/1993	Paratte et al.		8,342,732 B2	1/2013	Chien	
5,339,231 A	8/1994	Parsolano et al.		8,371,740 B2	2/2013	Pestl et al.	
5,352,122 A	10/1994	Speyer et al.		D678,561 S *	3/2013	Rugendyke .....	D26/26
5,594,333 A	1/1997	Whipple, III		8,425,105 B2 *	4/2013	Yang .....	F21S 8/035
5,622,424 A *	4/1997	Brady .....	A47G 1/0622				362/641
			362/644	8,569,973 B2	10/2013	Trovo'	
5,670,776 A	9/1997	Rothbaum		D706,972 S	6/2014	Howard et al.	
5,683,254 A	11/1997	Lin		D740,971 S *	10/2015	Howard .....	D26/2
5,711,674 A *	1/1998	Chu .....	F21S 8/035	D751,228 S	3/2016	Howard et al.	
			439/11	D751,229 S	3/2016	Howard et al.	
D393,084 S	3/1998	Hergert		D751,230 S *	3/2016	Howard .....	F21S 8/035
5,727,953 A *	3/1998	Pasholk .....	F21S 8/035				D26/26
			439/21	2002/0168881 A1 *	11/2002	Hwang .....	F21S 8/035
D393,912 S	4/1998	Yuen					439/11
D397,814 S	9/1998	Pun		2003/0189022 A1 *	10/2003	Fellows .....	A61L 9/127
D404,673 S	1/1999	Gordon et al.					215/43
5,920,469 A	7/1999	Harvey		2004/0246704 A1	12/2004	Burdick	
5,954,519 A *	9/1999	Hsiao .....	F21S 8/035	2006/0002153 A1 *	1/2006	Currie .....	F21S 8/035
			439/21				362/641
6,010,228 A	1/2000	Blackman et al.		2006/0007709 A1	1/2006	Yuen	
6,093,028 A	7/2000	Yang		2006/0124844 A1	6/2006	Shahbazi et al.	
D430,945 S	9/2000	Ham		2006/0221617 A1	10/2006	Chien	
D431,660 S	10/2000	Yuen		2006/0237439 A1	10/2006	Norwood et al.	
6,375,337 B1 *	4/2002	Hwang .....	F21S 8/035	2007/0076440 A1	4/2007	Chien	
			362/101	2007/0217211 A1	9/2007	Hewson et al.	
D460,573 S	7/2002	Gee, II		2007/0253222 A1	11/2007	Driska et al.	
6,431,719 B1	8/2002	Lau et al.		2008/0074873 A1 *	3/2008	Lin .....	F21S 8/035
6,464,368 B1 *	10/2002	Chen .....	F21S 8/035				362/235
			313/110	2008/0137378 A1	6/2008	Lai	
D471,654 S	3/2003	Schenck		2008/0205102 A1	8/2008	Makino et al.	
6,663,248 B2	12/2003	Hsieh		2008/0304289 A1	12/2008	Chien	
D500,152 S	12/2004	Stekelenburg		2009/0296391 A1	12/2009	Adams	
6,843,656 B2	1/2005	Hwang et al.		2010/0008082 A1	1/2010	Brass et al.	
6,926,426 B2	8/2005	Currie et al.		2010/0290254 A1	11/2010	Howard et al.	
6,955,441 B1	10/2005	Chen		2011/0110118 A1	5/2011	Hsiao	
D523,972 S	6/2006	Chan		2012/0126713 A1	5/2012	Horino	
D524,456 S	7/2006	Yuen		2012/0127759 A1 *	5/2012	Chien .....	F21S 8/035
D524,457 S	7/2006	Chan					362/641
D524,458 S	7/2006	Chan		2012/0257418 A1 *	10/2012	Fields .....	F21S 8/035
7,114,821 B2	10/2006	Currie et al.					362/641
D536,806 S	2/2007	Yuen		2012/0275194 A1	11/2012	Howard et al.	
7,511,628 B2	3/2009	Salvestrini		2013/0044518 A1 *	2/2013	Yang .....	F21S 8/035
7,547,121 B1 *	6/2009	Rashidi .....	F21S 8/02				362/641
			362/147	2013/0057136 A1	3/2013	Ye	
7,568,829 B2	8/2009	Chien		2013/0057163 A1	3/2013	Sutardja et al.	
D601,281 S *	9/2009	Howard .....	D26/26	2013/0163243 A1	6/2013	Reed	
7,632,004 B2	12/2009	Chien		2013/0176738 A1 *	7/2013	Tinaphong .....	F21S 8/035
D612,522 S *	3/2010	Howard .....	D26/26				362/253
D642,707 S	8/2011	Kang et al.		2014/0185325 A1 *	7/2014	Howard .....	F21S 8/035
7,997,785 B2	8/2011	Chien					362/641
8,002,456 B2	8/2011	Chien		2015/0314028 A1 *	11/2015	Hsiao .....	A61L 9/127
8,133,059 B1 *	3/2012	Hsiao .....	F21S 8/035				362/96
			362/287	2016/0195257 A1 *	7/2016	Hsiao .....	F21S 8/035
8,147,097 B1 *	4/2012	Hsiao .....	F21S 8/035				362/92
			362/288	2016/0250371 A1 *	9/2016	Tsurumi .....	A61L 9/127

\* cited by examiner

FIG. 1

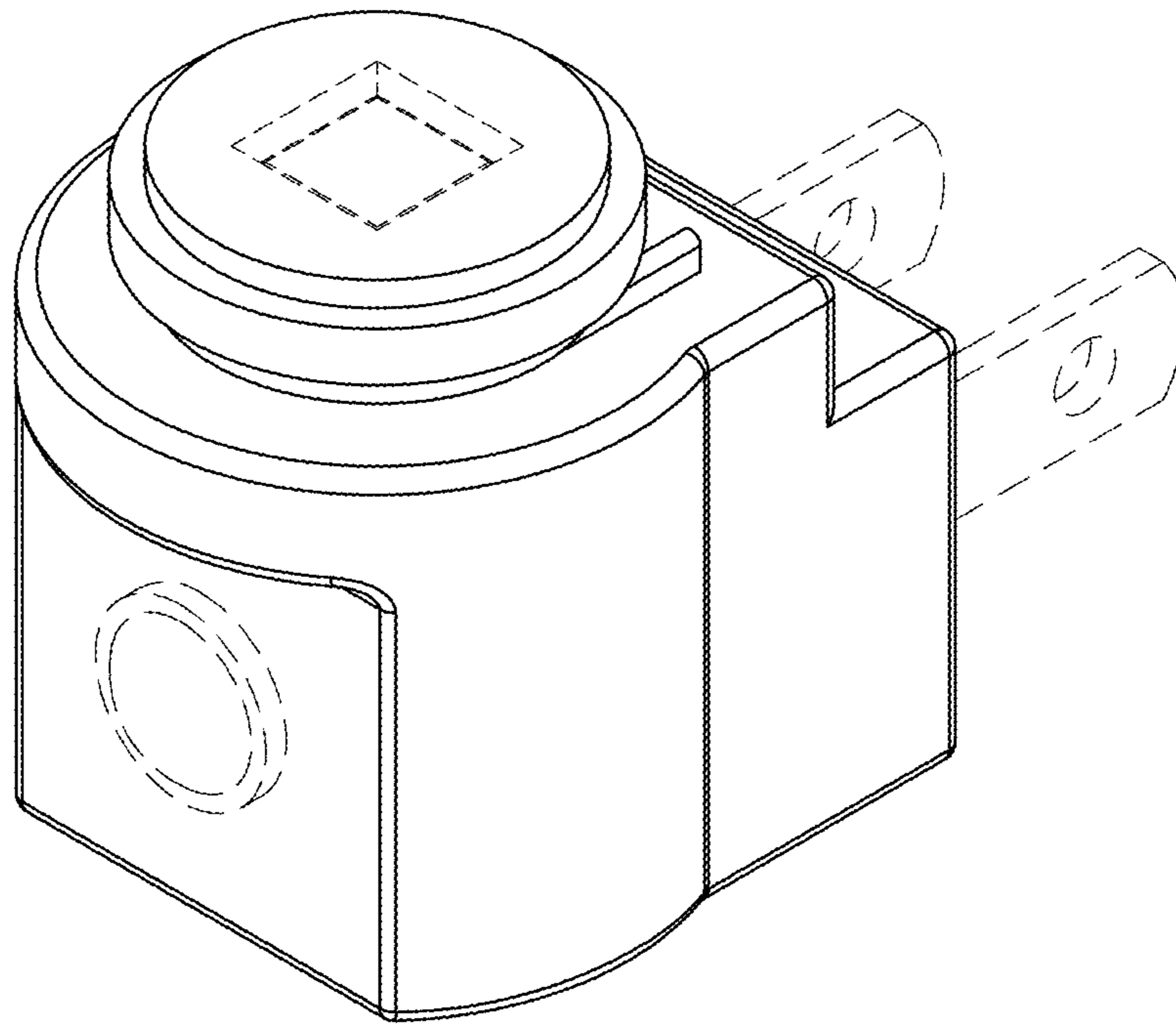


FIG. 2

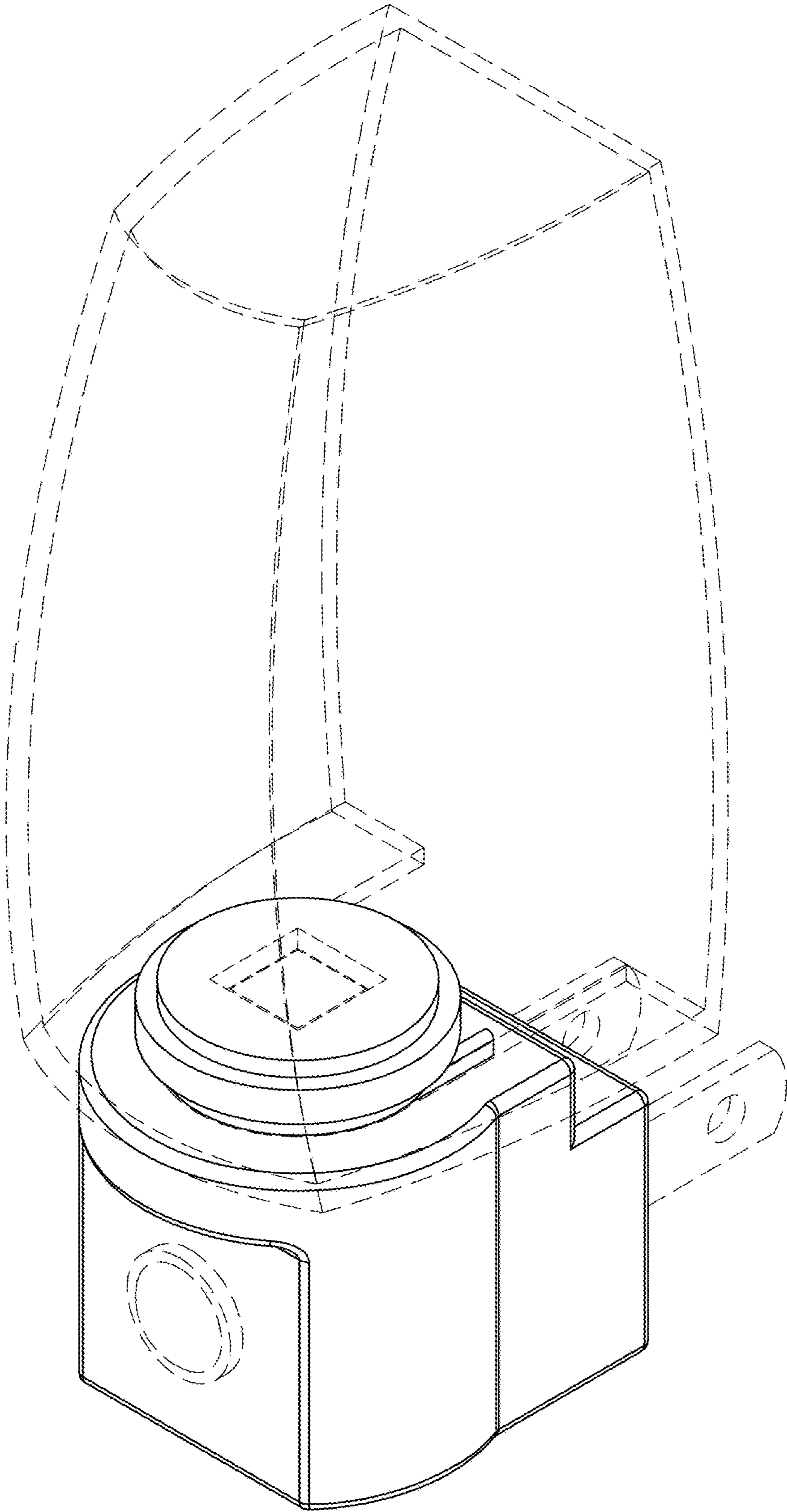


FIG. 3

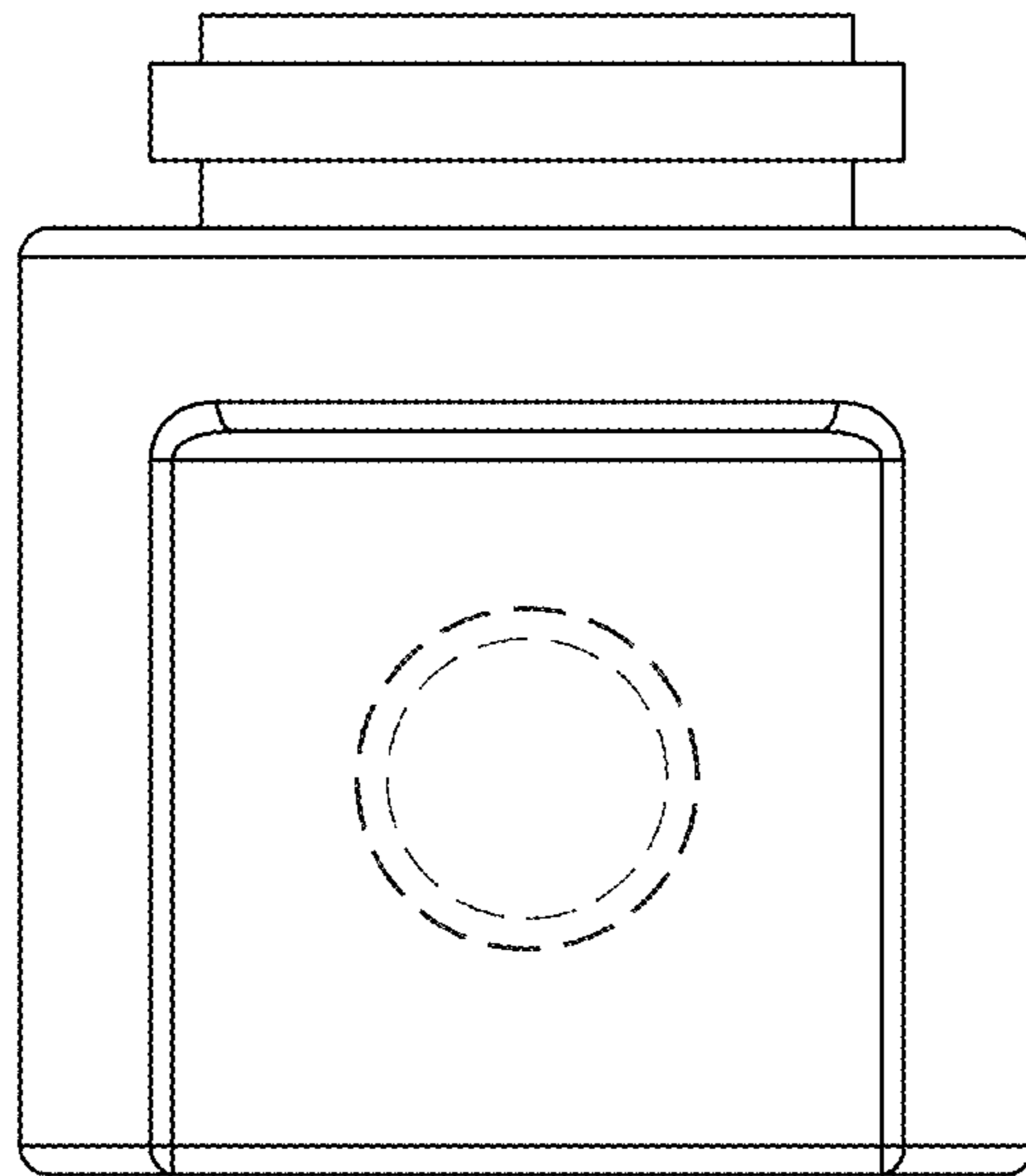


FIG. 4

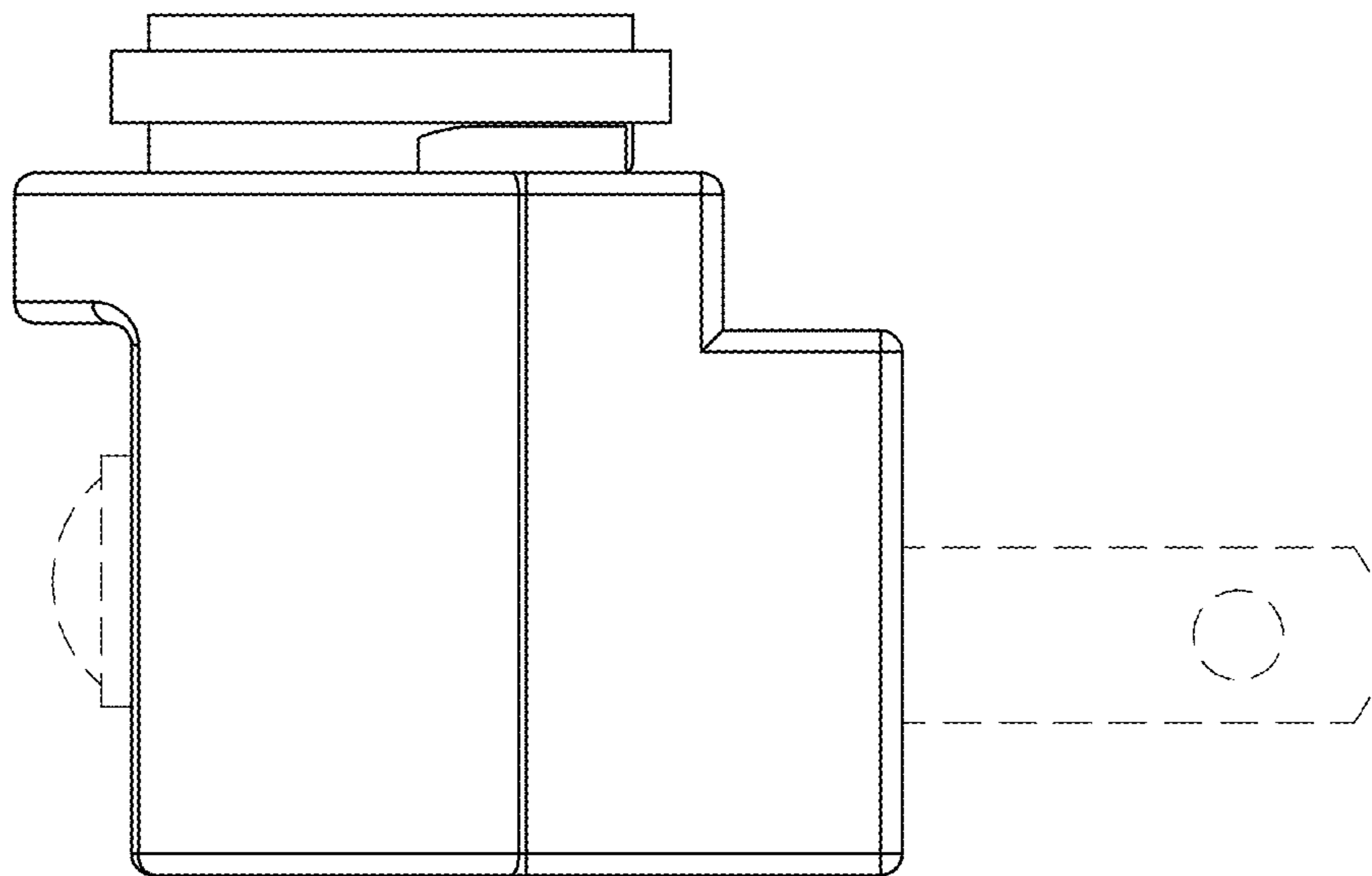


FIG. 5

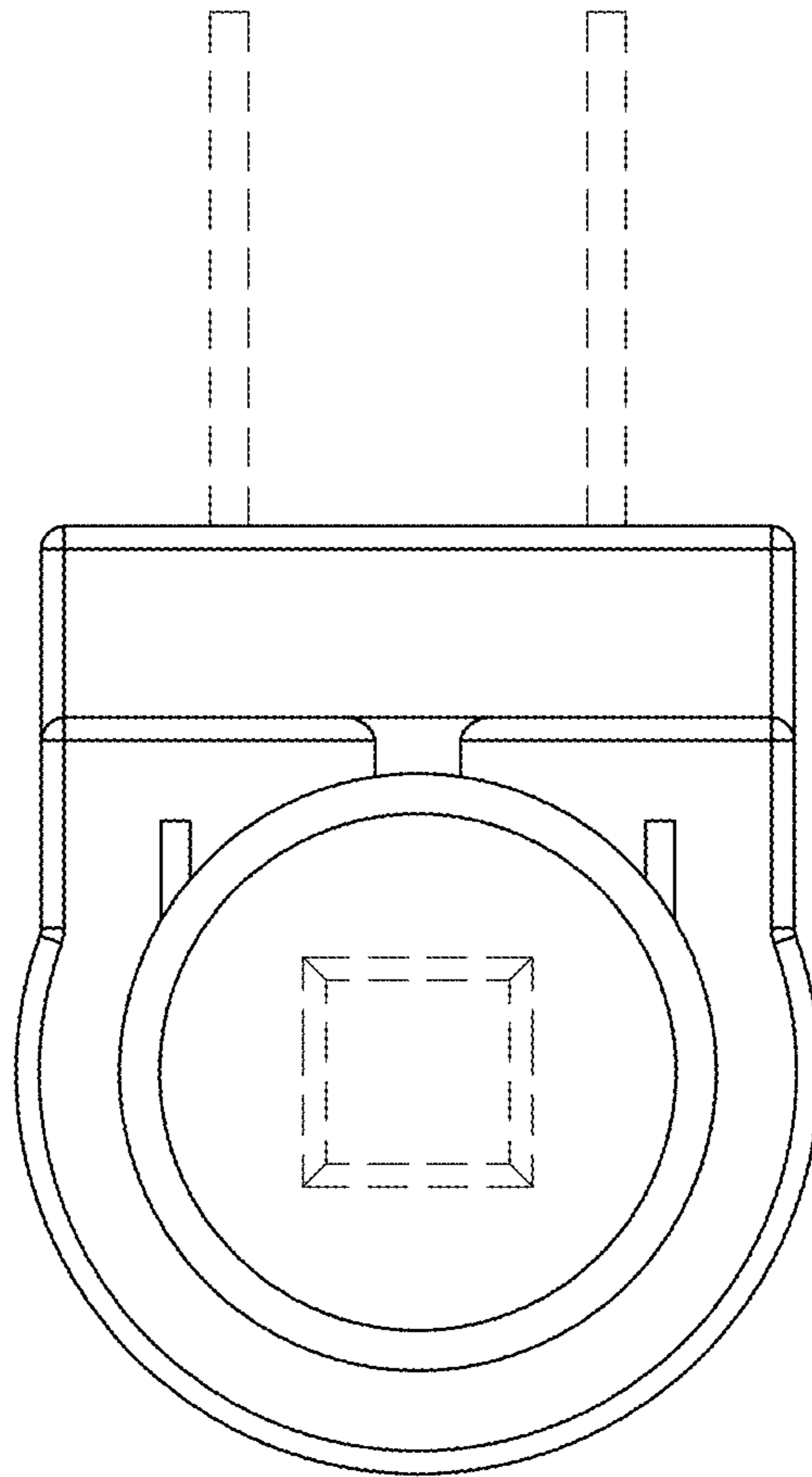


FIG. 6

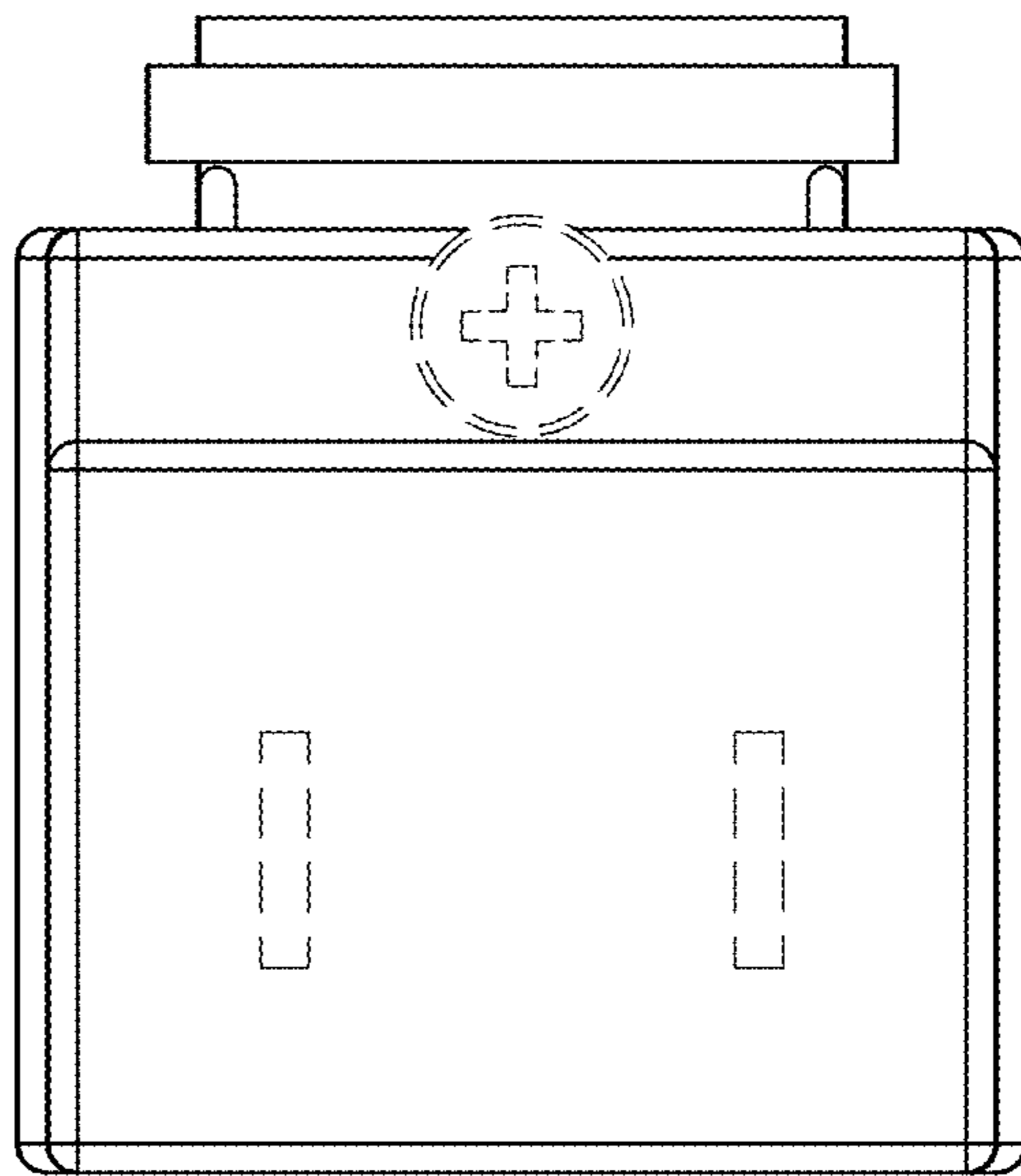




FIG. 7

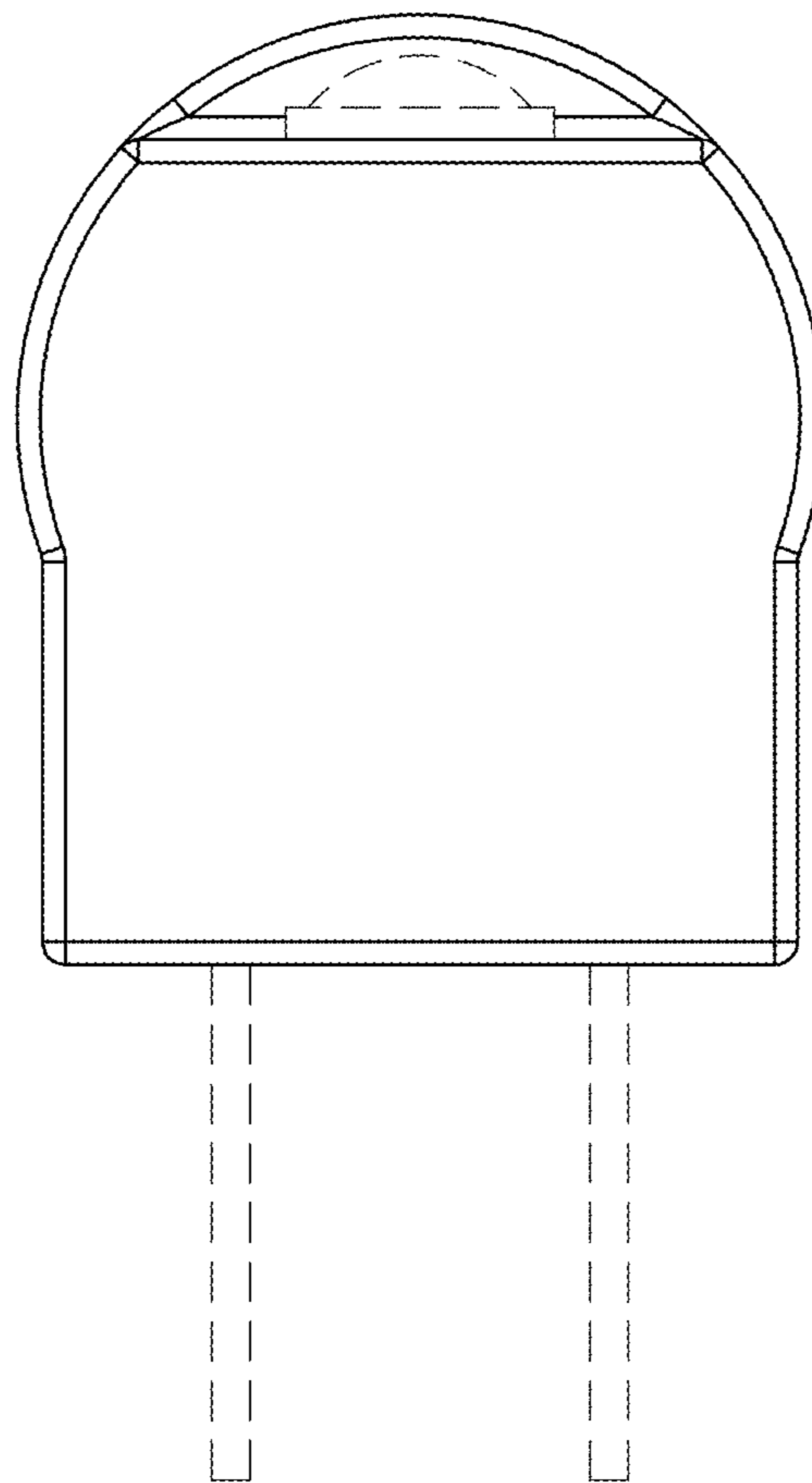


FIG. 8

