



US00D790088S

(12) **United States Design Patent**
Yeffet

(10) **Patent No.:** **US D790,088 S**

(45) **Date of Patent:** **** Jun. 20, 2017**

(54) **CANDLE JAR**

(71) Applicant: **Maria Bosoni**, Paris (FR)

(72) Inventor: **Dan Yeffet**, Paris (FR)

(73) Assignee: **Maria Bosoni**, Paris (FR)

(**) Term: **15 Years**

(21) Appl. No.: **29/538,278**

(22) Filed: **Sep. 2, 2015**

(51) **LOC (10) Cl.** **26-01**

(52) **U.S. Cl.**
USPC **D26/22; D9/504**

(58) **Field of Classification Search**
USPC D26/9, 22; D24/121, 216, 224;
D27/102, 105, 136, 172, 186; D32/53,
D32/53.1, 54; D9/500-505
CPC . F21V 35/00; F21V 21/06; F23D 3/16; F23D
2203/105
See application file for complete search history.

(56) **References Cited**

U.S. PATENT DOCUMENTS

D91,437 S *	1/1934	Neilson	D9/444
D314,912 S *	2/1991	Rey Pascual	D9/500
D335,795 S *	5/1993	Conti	D7/359
D358,531 S *	5/1995	Cousins	D7/612
D378,571 S *	3/1997	Bastow	D9/417
D421,129 S *	2/2000	Haynes	D24/224
D475,571 S *	6/2003	Hopkins	D7/359
D494,474 S *	8/2004	Pace	D27/190
D546,128 S *	7/2007	Carlson	D7/554.2
D573,794 S *	7/2008	Izen	D3/302
D711,250 S *	8/2014	Henriksson	D9/504
D730,185 S *	5/2015	Blanco	D9/439
D738,111 S *	9/2015	Otto	D3/302
D751,392 S *	3/2016	Wu	D7/392.1
D756,790 S *	5/2016	Henriksson	D9/504

D766,720 S *	9/2016	Ware	D9/447
D768,511 S *	10/2016	Kovacovich	D27/183
D777,034 S *	1/2017	Sill	D9/454

* cited by examiner

Primary Examiner — Ian Simmons

Assistant Examiner — Keith Frank

(74) *Attorney, Agent, or Firm* — Donald J. Ranft; Collen IP

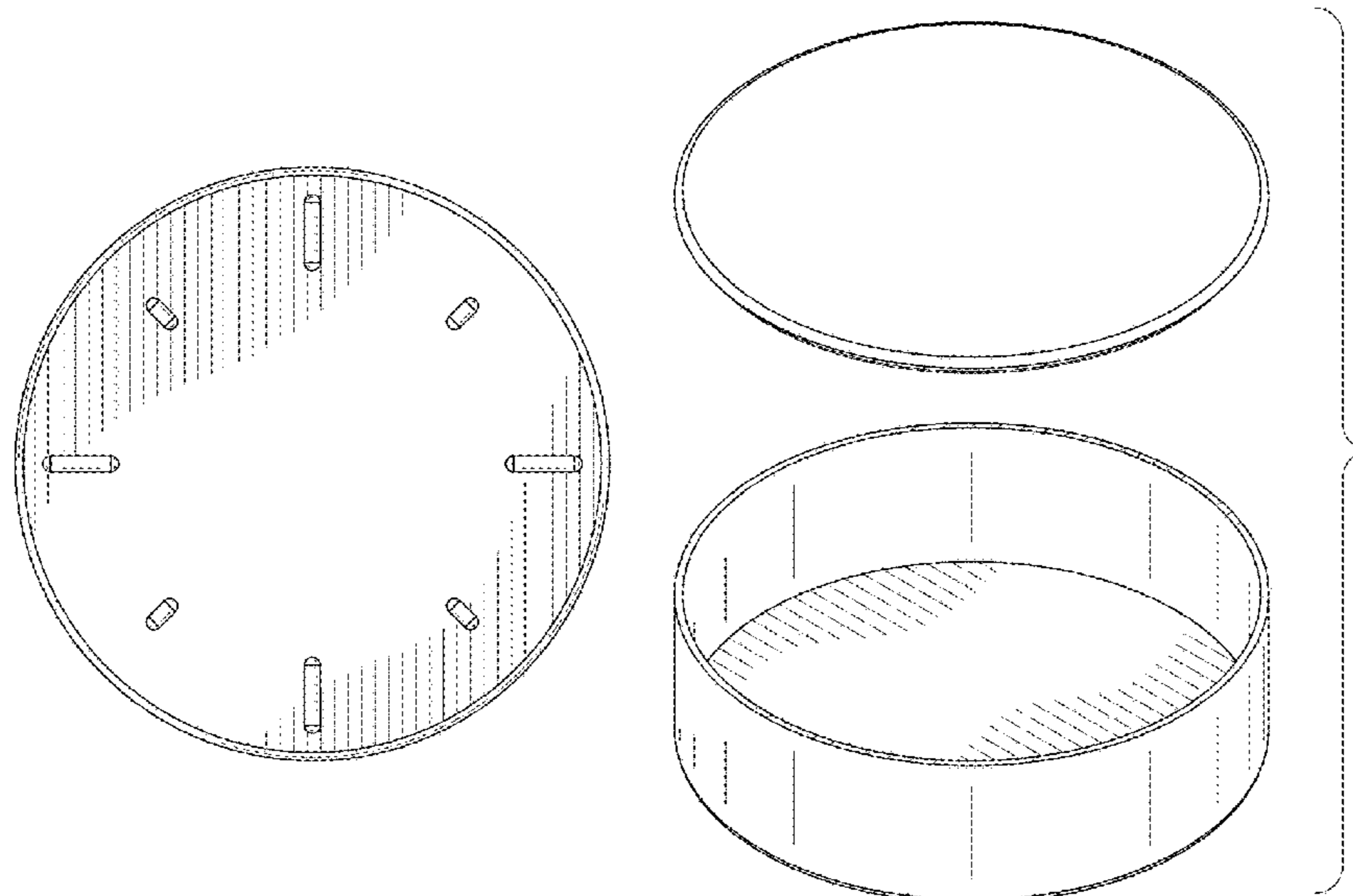
(57) **CLAIM**

I claim the ornamental design for a candle jar, as shown and described.

DESCRIPTION

FIG. 1 is a top perspective view of the 'base' part of a candle jar showing my new design;
 FIG. 2 is a bottom perspective view of the 'base' part thereof;
 FIG. 3 is a top view of the 'base' part thereof;
 FIG. 4 is a bottom view of the 'base' part thereof;
 FIG. 5 is a left front view of the 'base' part thereof;
 FIG. 6 is right rear view of the 'base' part thereof;
 FIG. 7 is a top perspective view of the lid and base separated thereof;
 FIG. 8 is a bottom perspective view of the lid and base separated thereof;
 FIG. 9 is a top view of the lid and base separated thereof;
 FIG. 10 is a bottom view of the lid and base separated thereof;
 FIG. 11 is a left front view of the lid and base separated thereof;
 FIG. 12 is a right rear view of the lid and base separated thereof;
 FIG. 13 is an assembled perspective view thereof;
 FIG. 14 is an assembled left front view thereof; and,
 FIG. 15 is an assembled right rear view thereof.

1 Claim, 9 Drawing Sheets



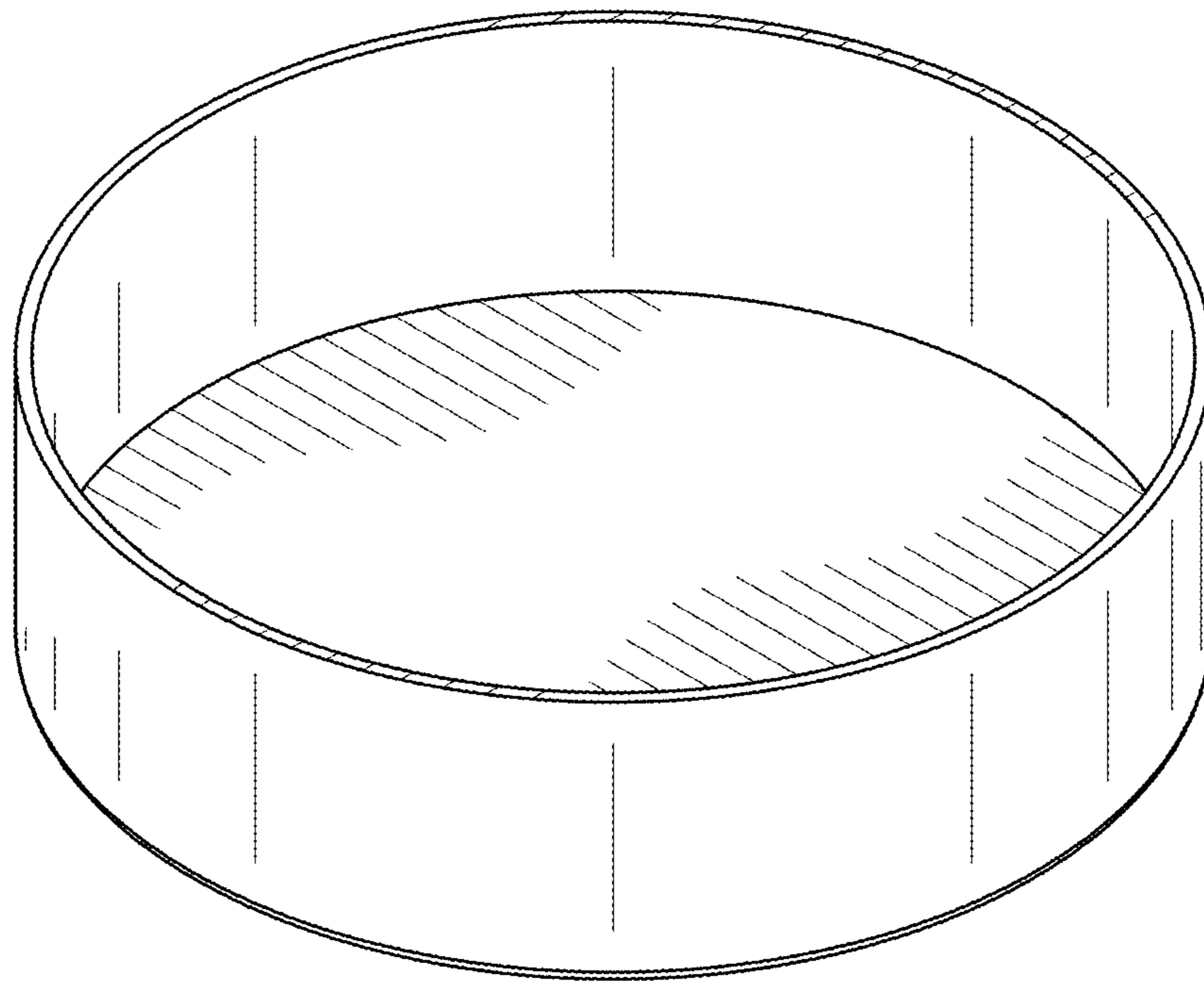


FIG. 1

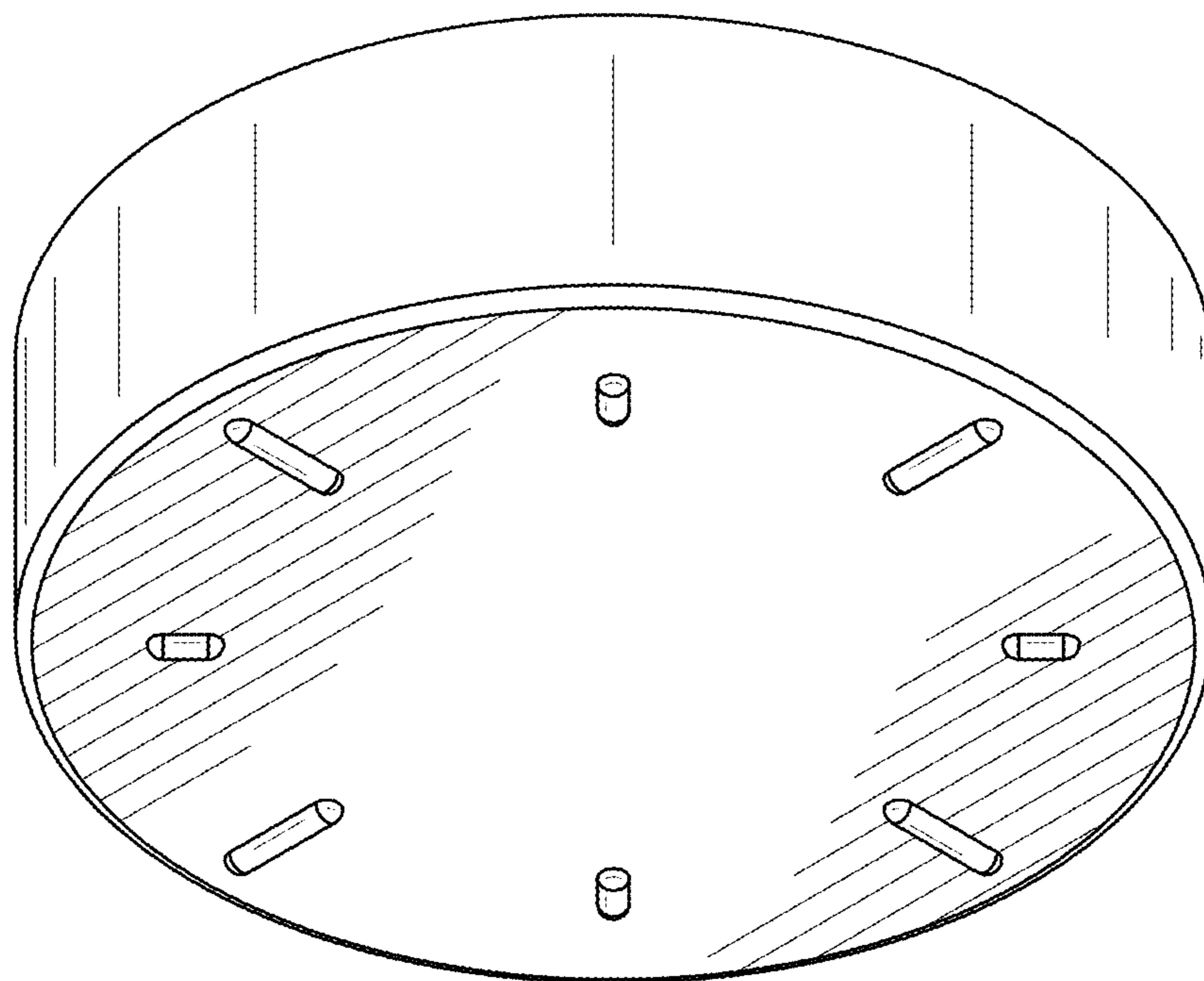


FIG. 2

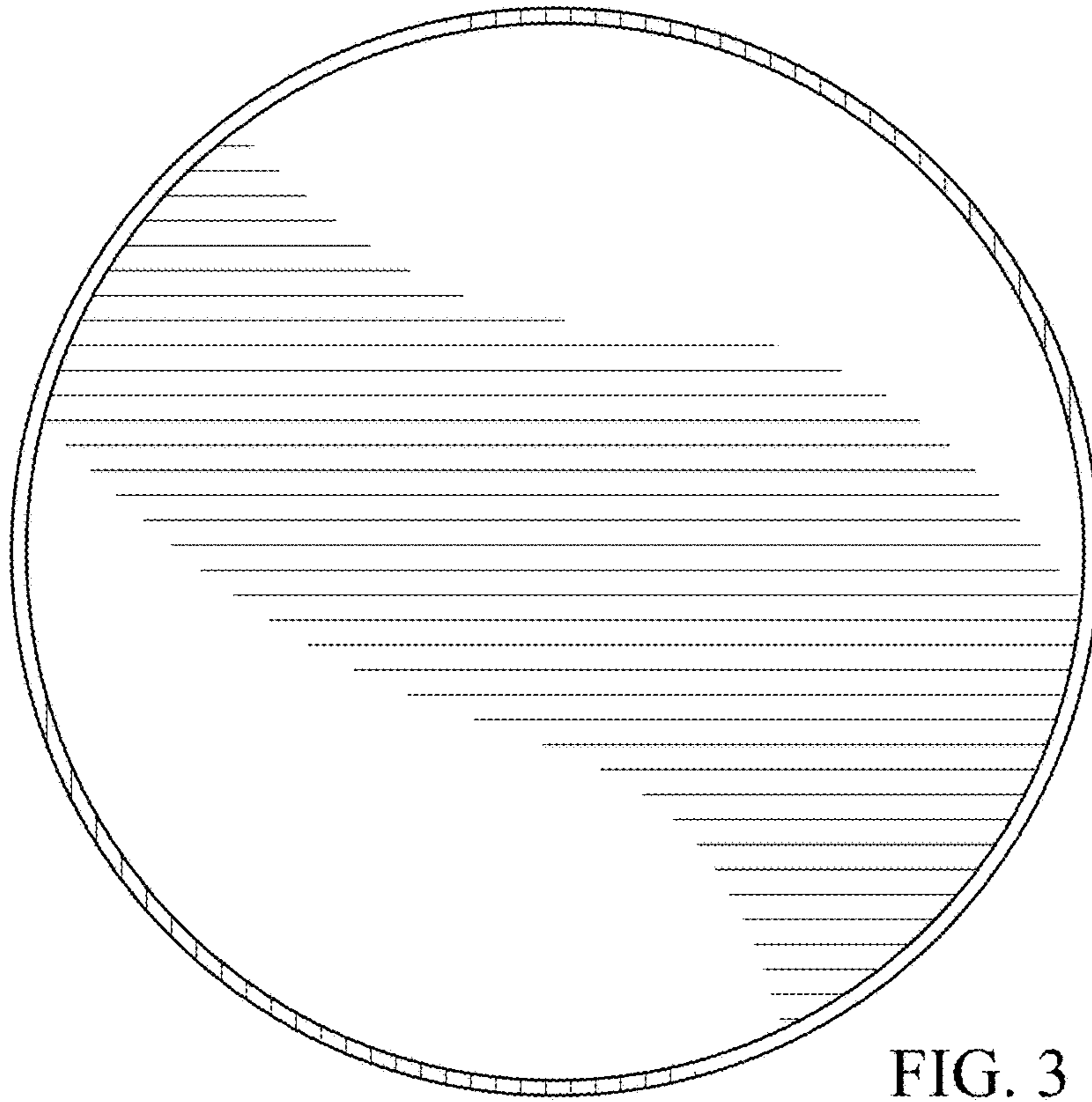


FIG. 3

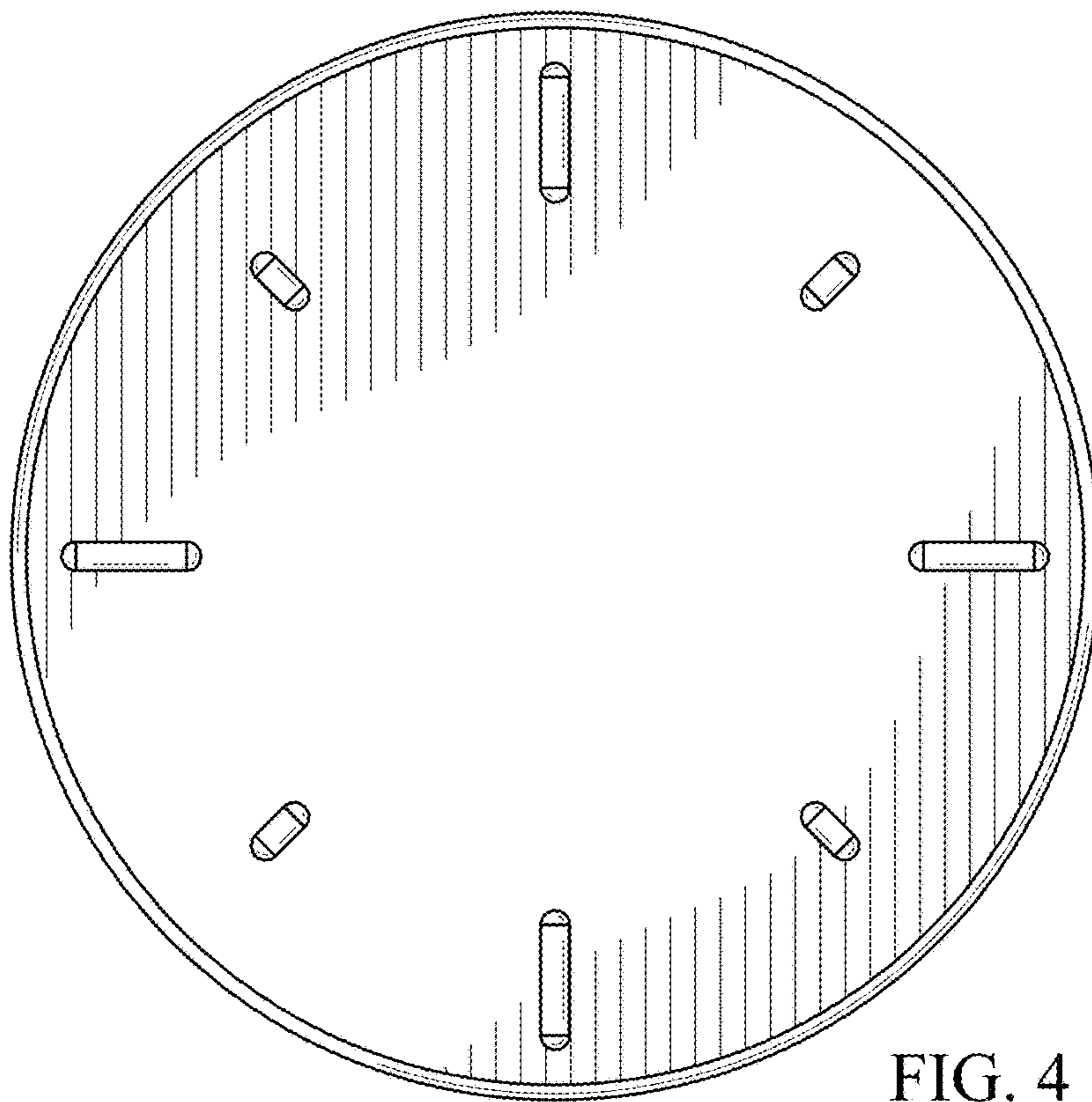


FIG. 4

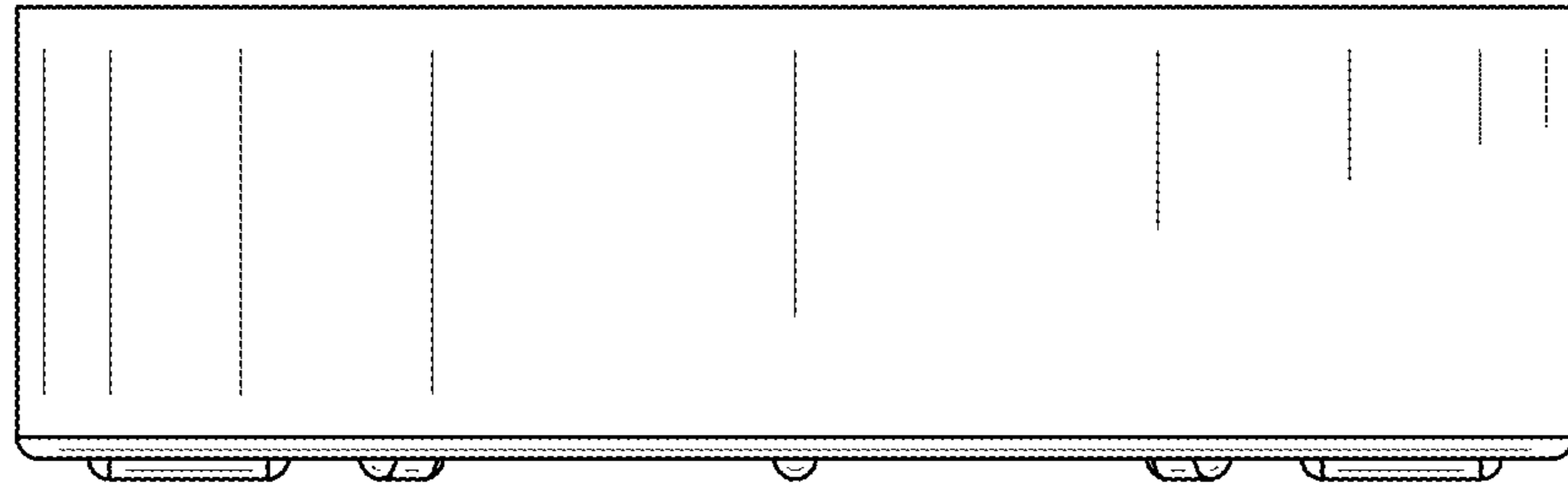


FIG. 5

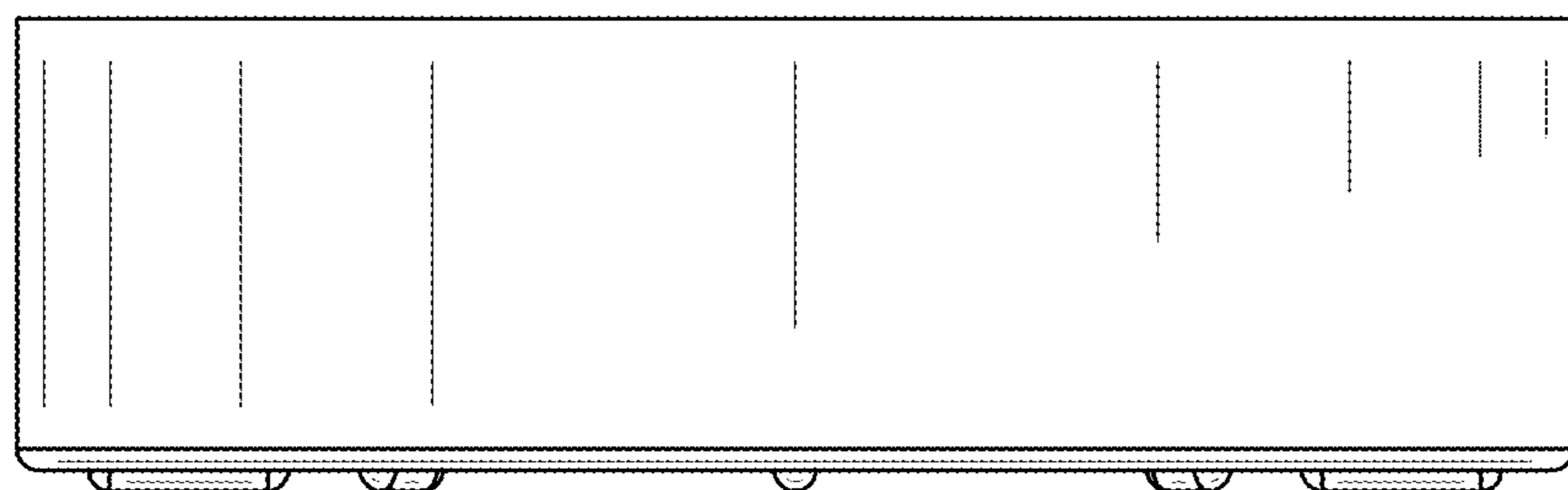


FIG. 6

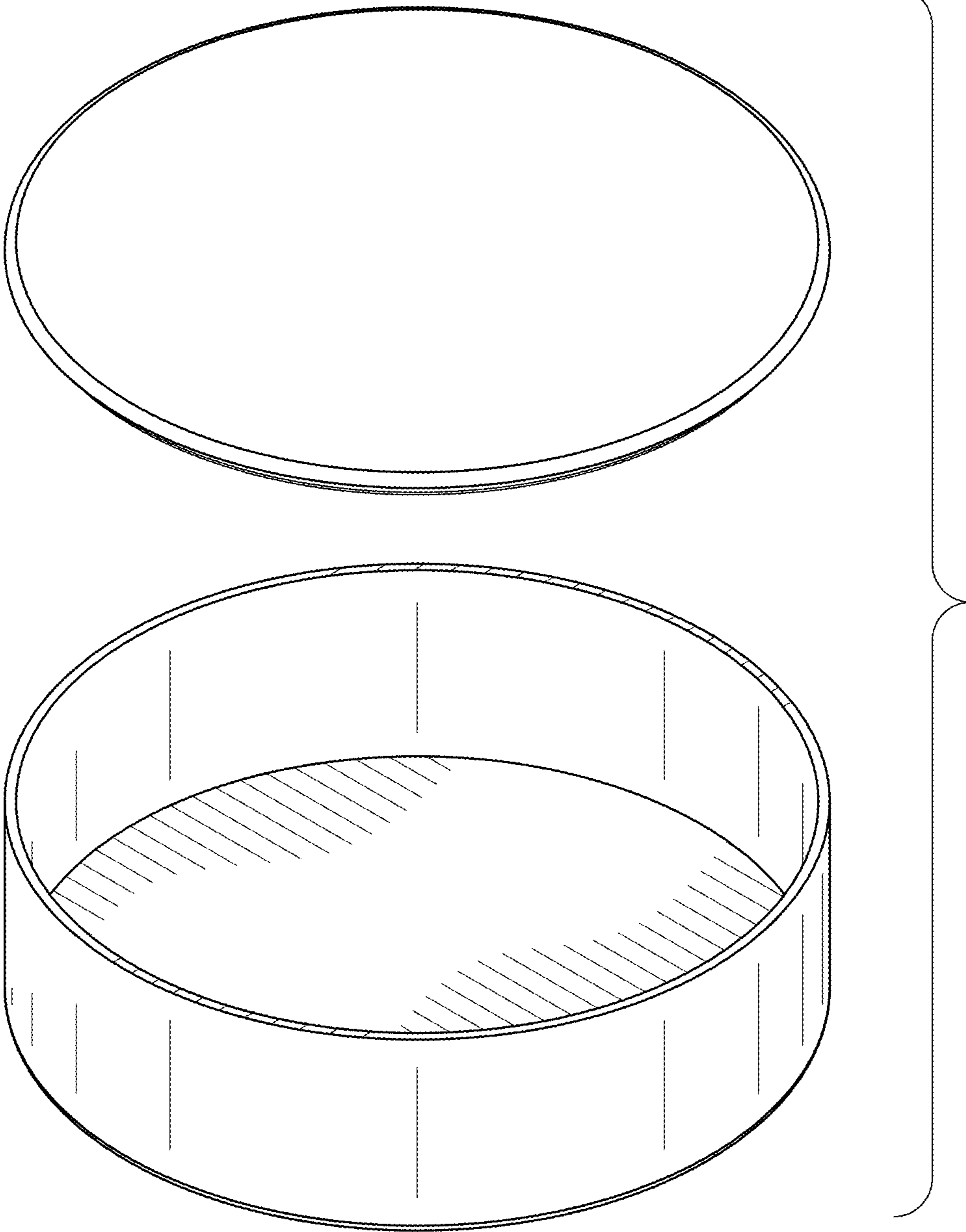


FIG. 7

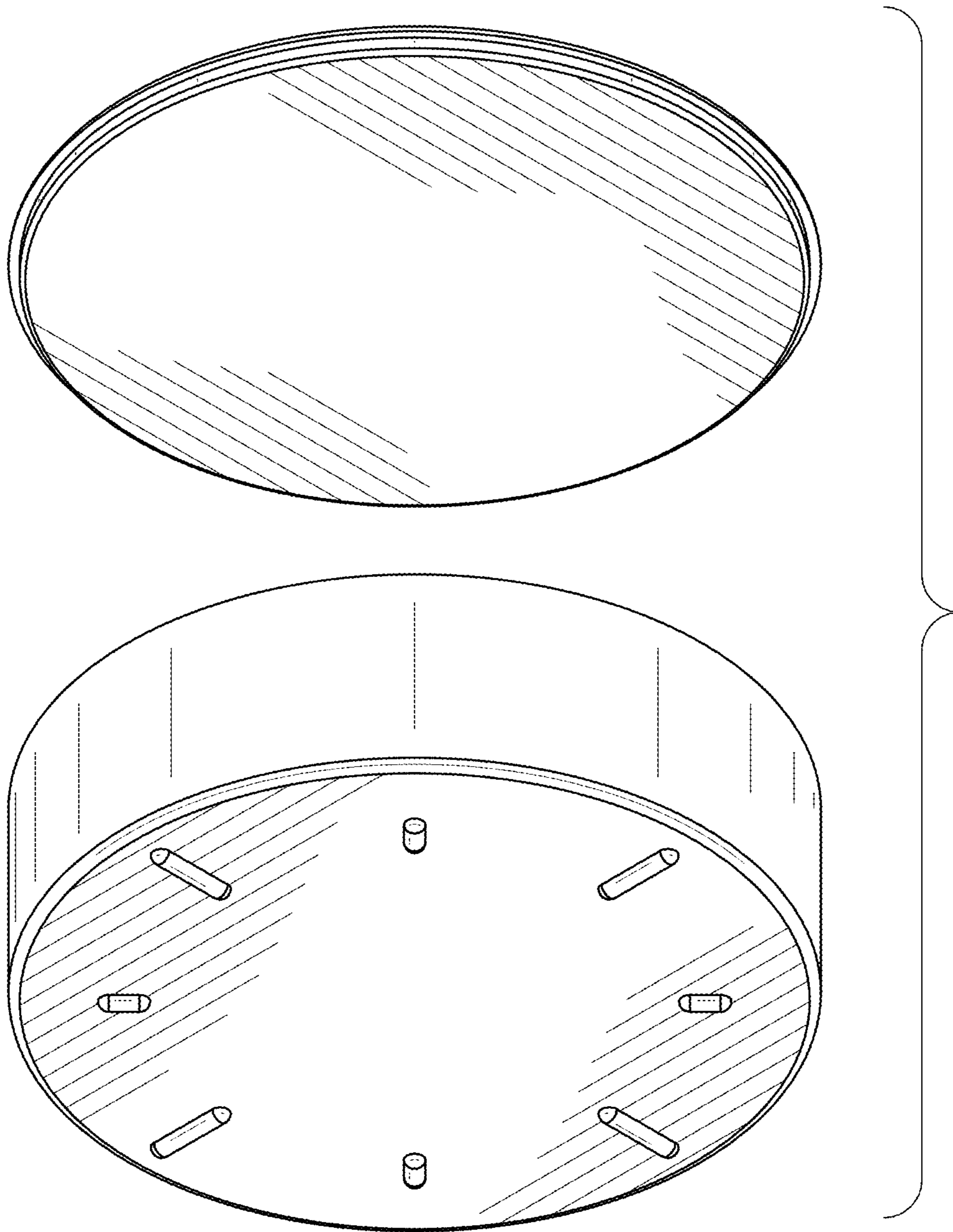


FIG. 8

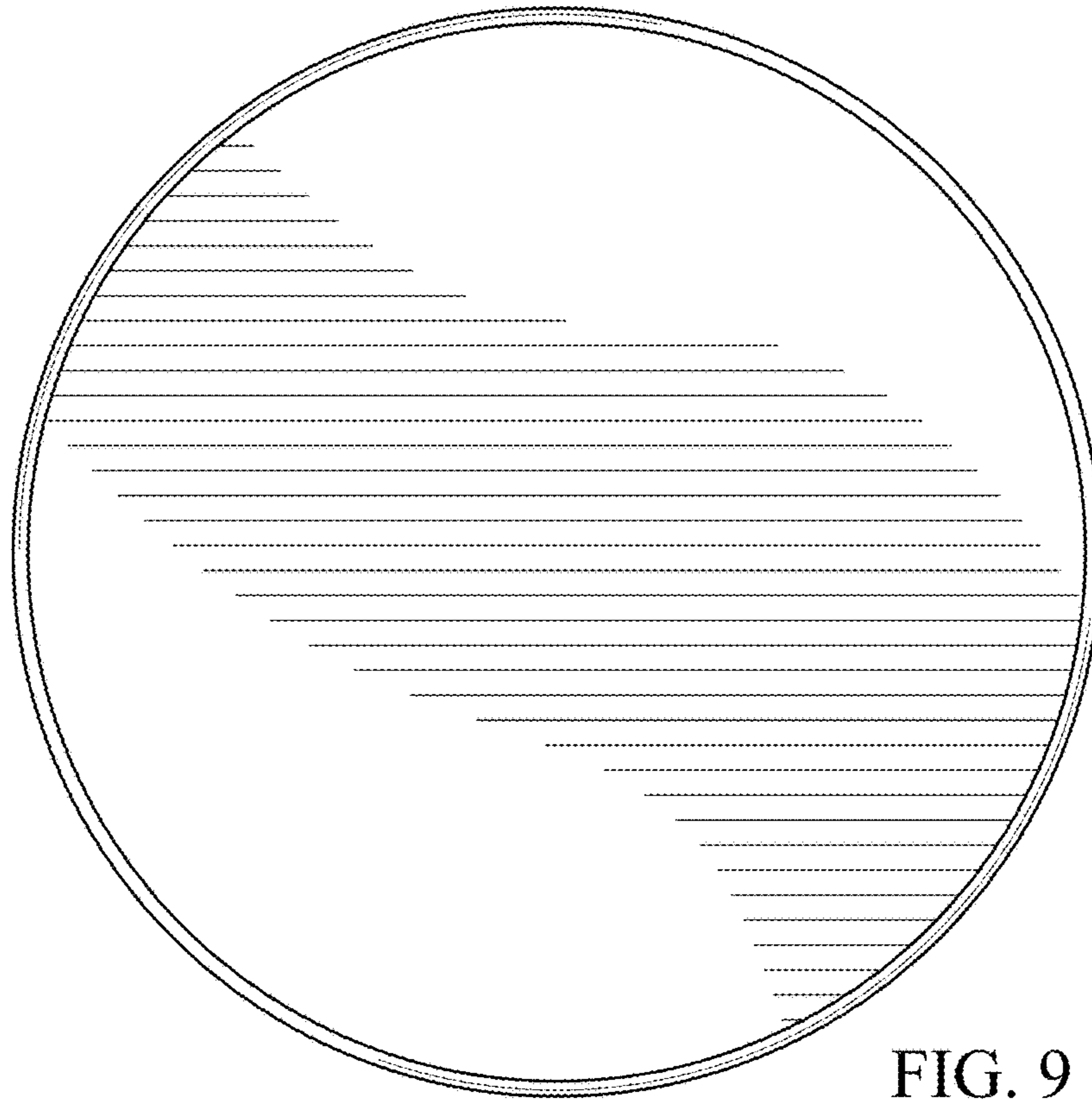


FIG. 9

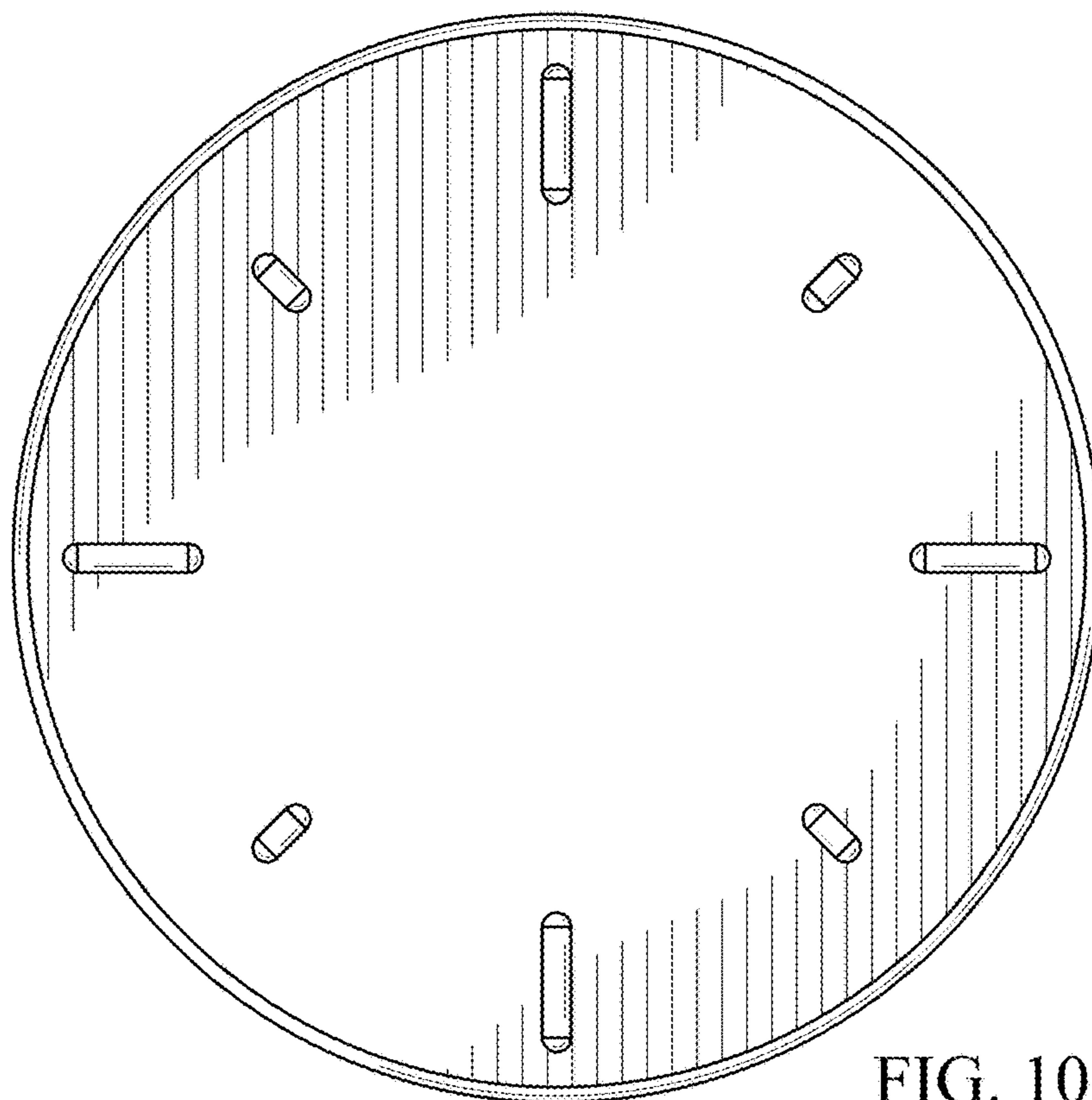


FIG. 10

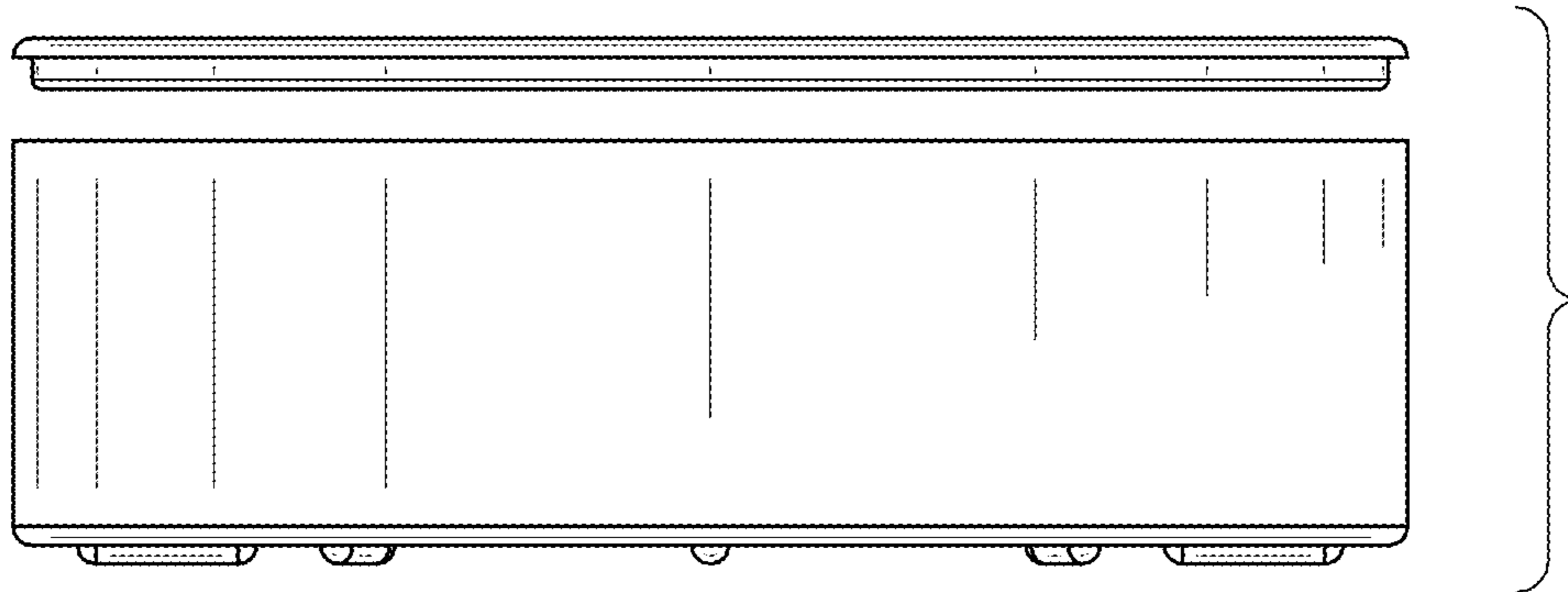


FIG. 11

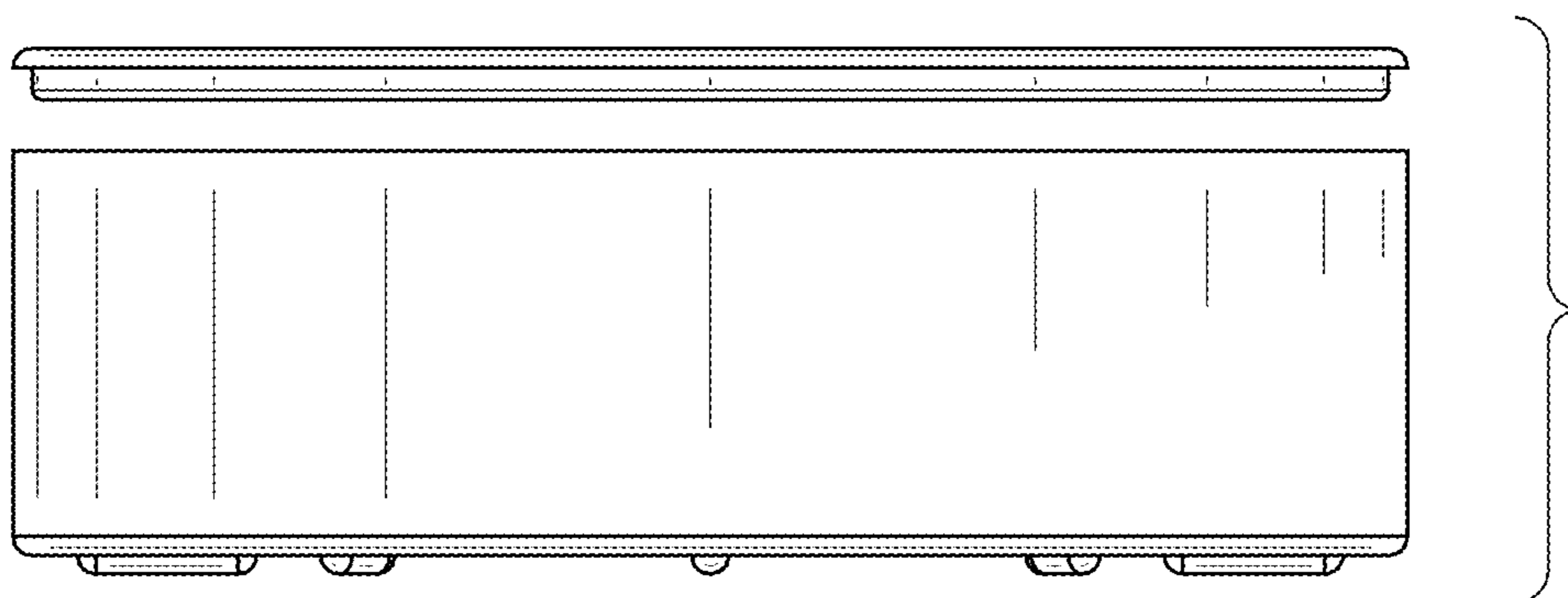


FIG. 12

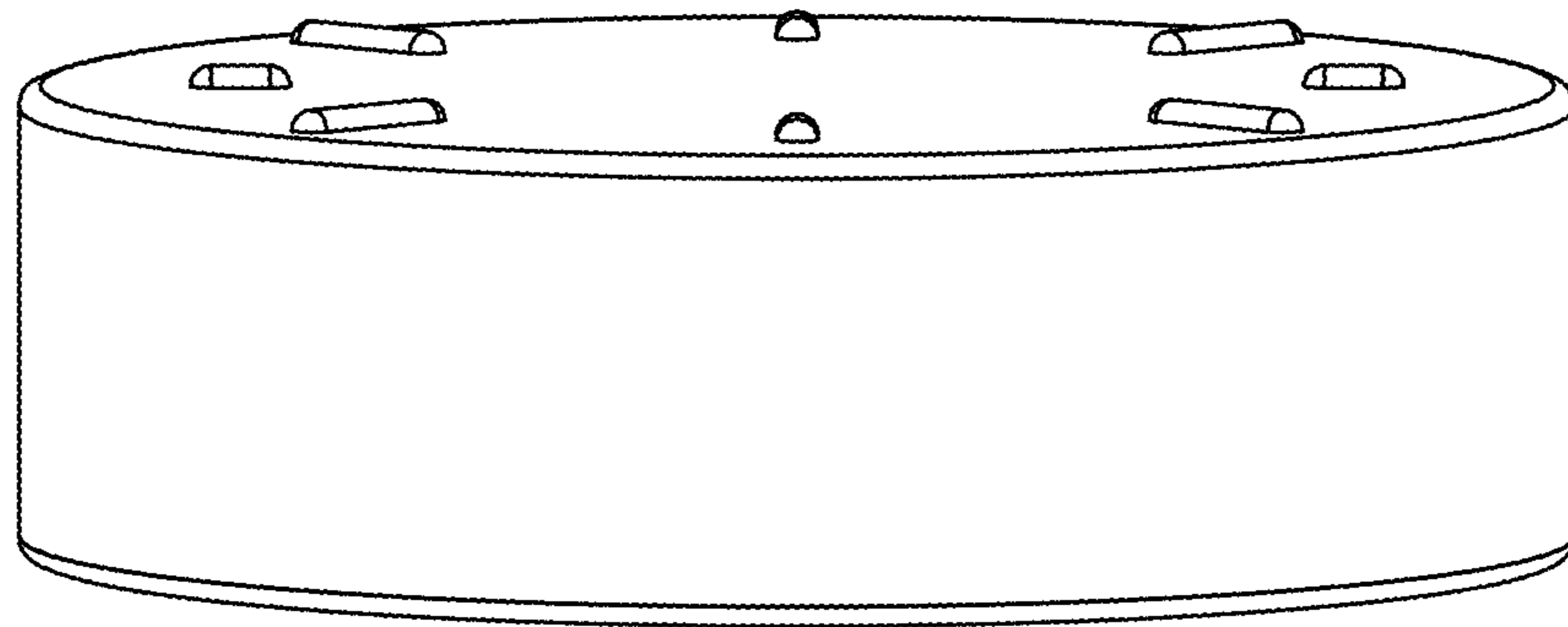


FIG. 13

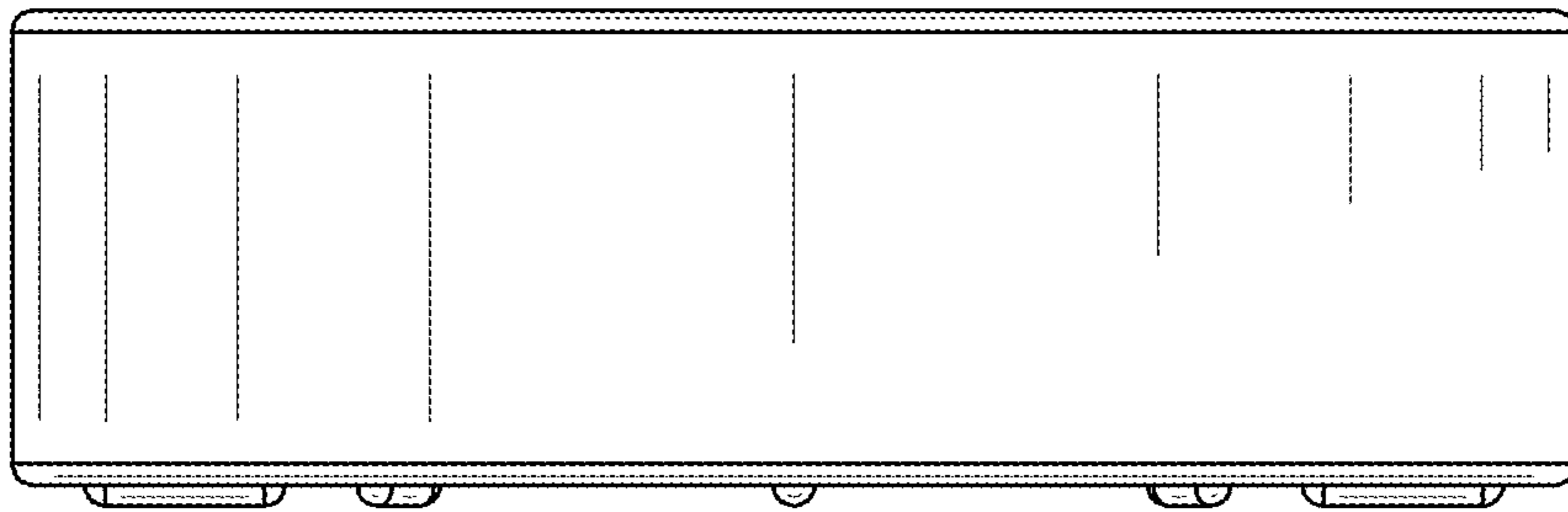


FIG. 14

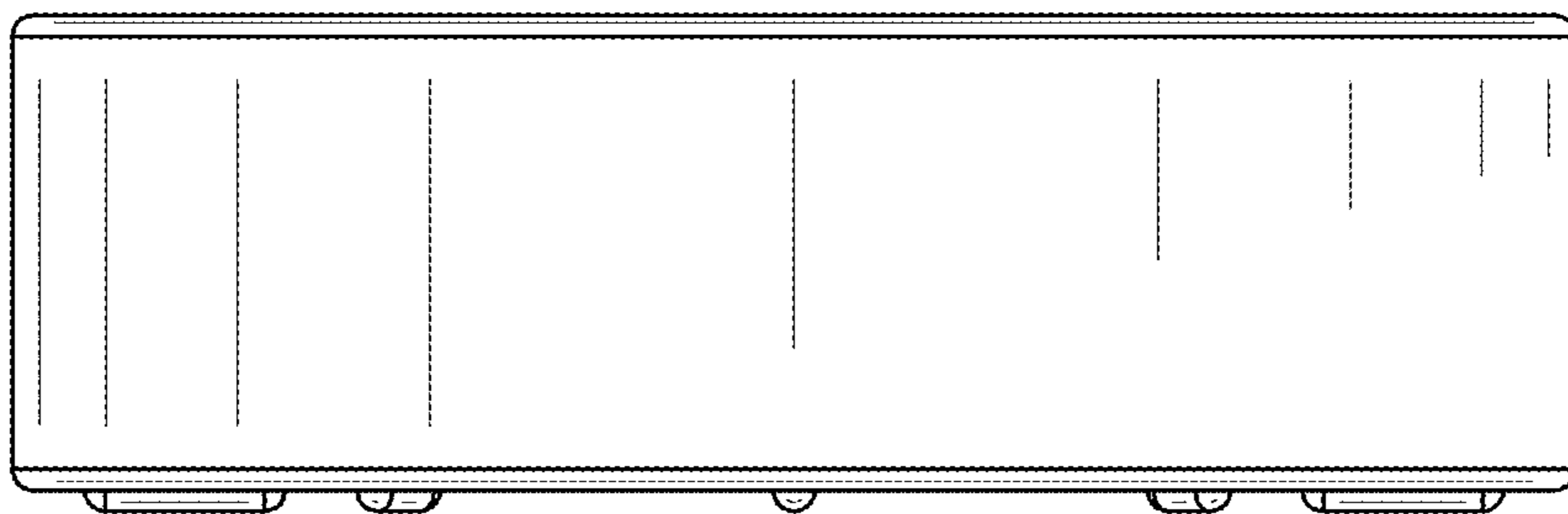


FIG. 15