



US00D790084S

(12) **United States Design Patent** (10) **Patent No.:** **US D790,084 S**
Battle (45) **Date of Patent:** **** Jun. 20, 2017**

(54) **REMOVEABLE FLOORING INSTALLATION GAP SPACER**

D743,241 S * 11/2015 Nieves, Sr. D8/354
D781,683 S * 3/2017 Yi D8/354
2017/0089058 A1* 3/2017 Roth E04B 1/185

(71) Applicant: **Adrian K. Battle**, San Diego, CA (US)

* cited by examiner

(72) Inventor: **Adrian K. Battle**, San Diego, CA (US)

Primary Examiner — Michael A Pratt

(**) Term: **14 Years**

(74) *Attorney, Agent, or Firm* — Richard D. Clarke

(21) Appl. No.: **29/500,554**

(57) **CLAIM**

(22) Filed: **Aug. 26, 2014**

I claim the ornamental design for a removable flooring installation gap spacer, as shown and described.

(51) **LOC (10) Cl.** **25-99**

DESCRIPTION

(52) **U.S. Cl.**

USPC **D25/199**

(58) **Field of Classification Search**

USPC D8/14, 16, 40, 354; D25/136, 199;
D22/108

CPC . A47H 1/10; E04G 5/06; A47G 29/00; A47G
29/08; A47B 97/00; H02G 3/123

See application file for complete search history.

(56) **References Cited**

U.S. PATENT DOCUMENTS

3,735,497 A * 5/1973 Boettcher E04F 21/0092
33/526

4,765,116 A * 8/1988 Shank E04G 21/1841
33/518

5,579,551 A * 12/1996 Tommaney A47G 9/1009
128/845

D437,945 S * 2/2001 Mast D25/199

6,508,010 B2 * 1/2003 Hanson E04F 21/0092
33/526

6,769,191 B1 * 8/2004 Zusman E04F 21/0092
33/526

6,973,735 B1 * 12/2005 Billiot E04F 21/0092
33/526

D622,748 S * 8/2010 Huschka D16/101

7,818,923 B2 * 10/2010 Alvarez E04F 21/0092
33/526

FIG. 1 is a side elevation view of the removable flooring installation gap spacer, shown in place, between and making contact with, a flooring plank and a wall drywall panel;

FIG. 2 is a front, top and side elevation view of the removable flooring installation gap spacer;

FIG. 3 is a front, bottom and side elevation view of the removable flooring installation gap spacer;

FIG. 4 is a side elevation view of the removable flooring installation gap spacer;

FIG. 5 is an opposite side elevation view of the removable flooring installation gap spacer, wherein FIG. 5 is a mirror image of FIG. 4;

FIG. 6 is a rear view of the removable flooring installation gap spacer;

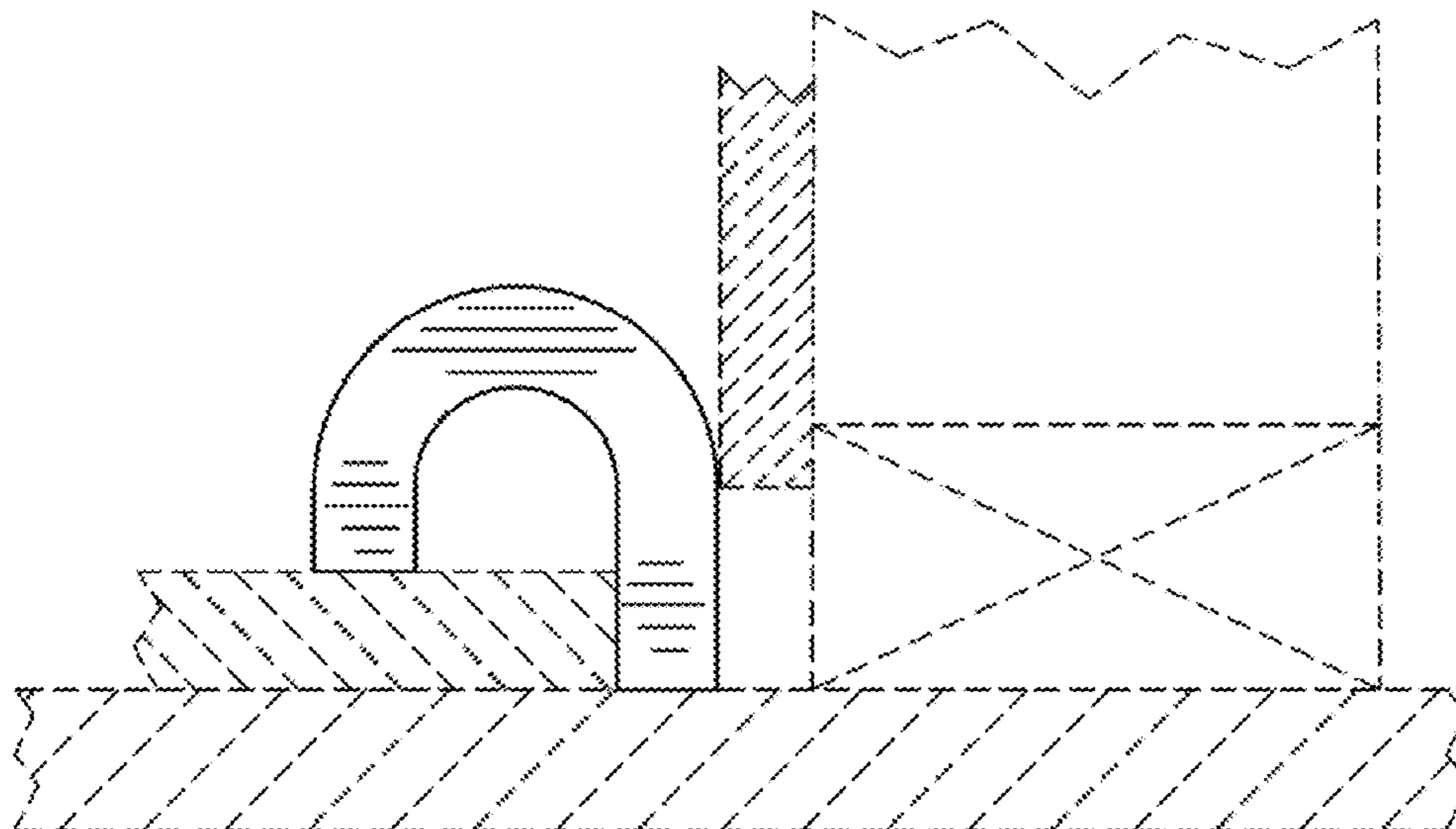
FIG. 7 is a front view of the removable flooring installation gap spacer;

FIG. 8 is a top plan view of the removable flooring installation gap spacer; and,

FIG. 9 is a bottom plan view of the removable flooring installation gap spacer.

The broken line showing of environment in FIG. 1 is included for the purpose of illustration only and forms no part of the claimed design.

1 Claim, 2 Drawing Sheets



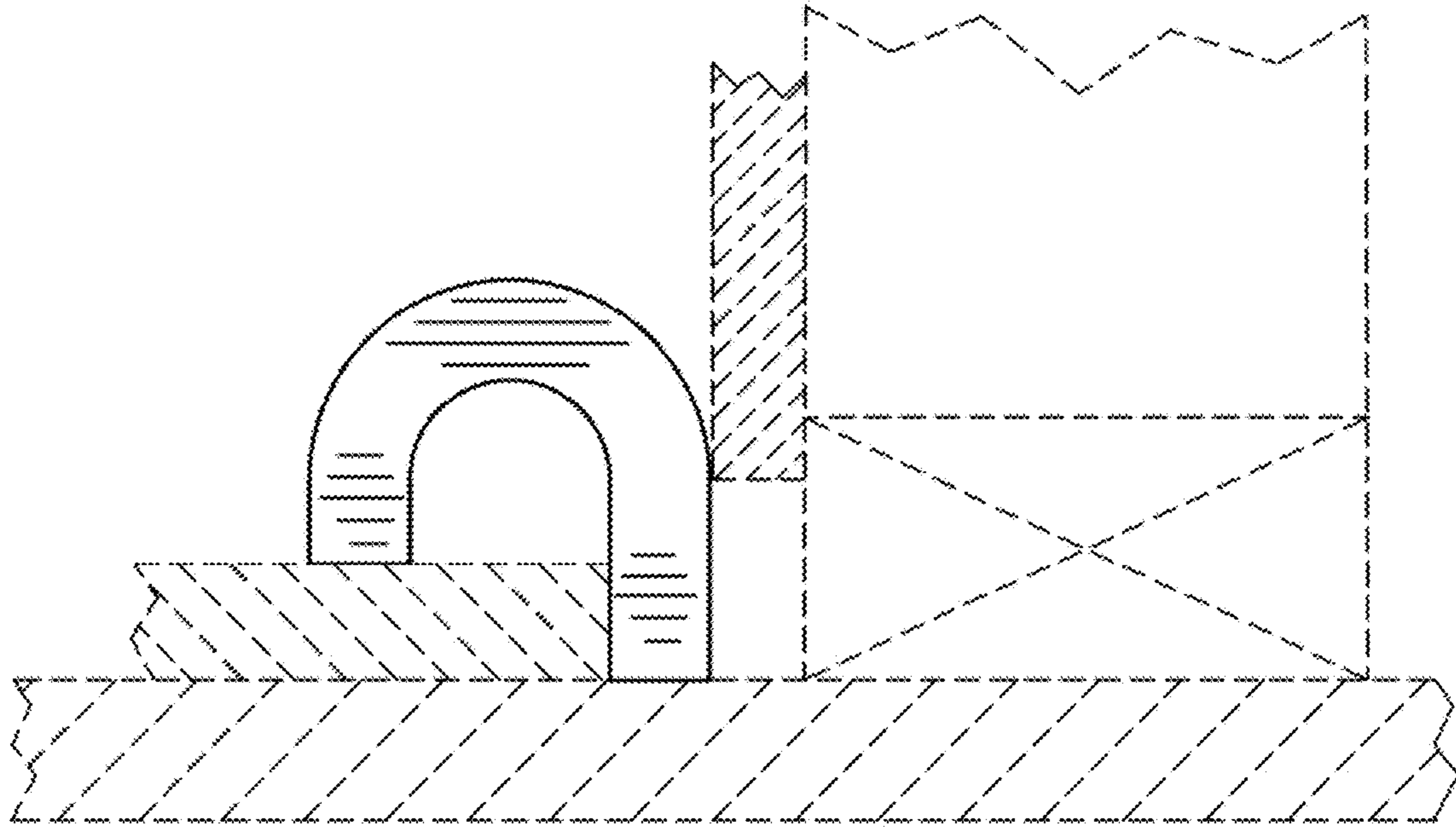


FIG. 1

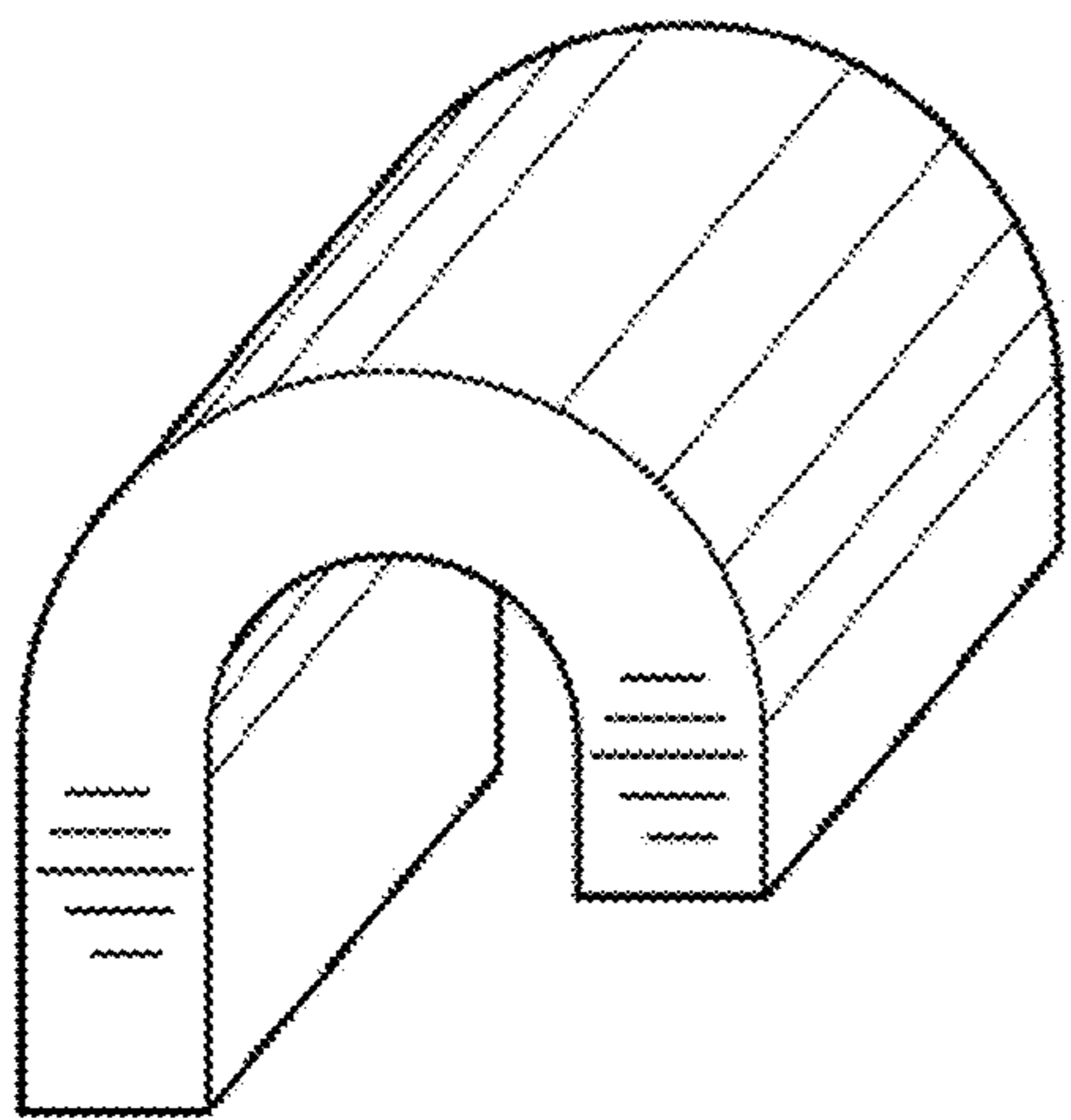


FIG. 2

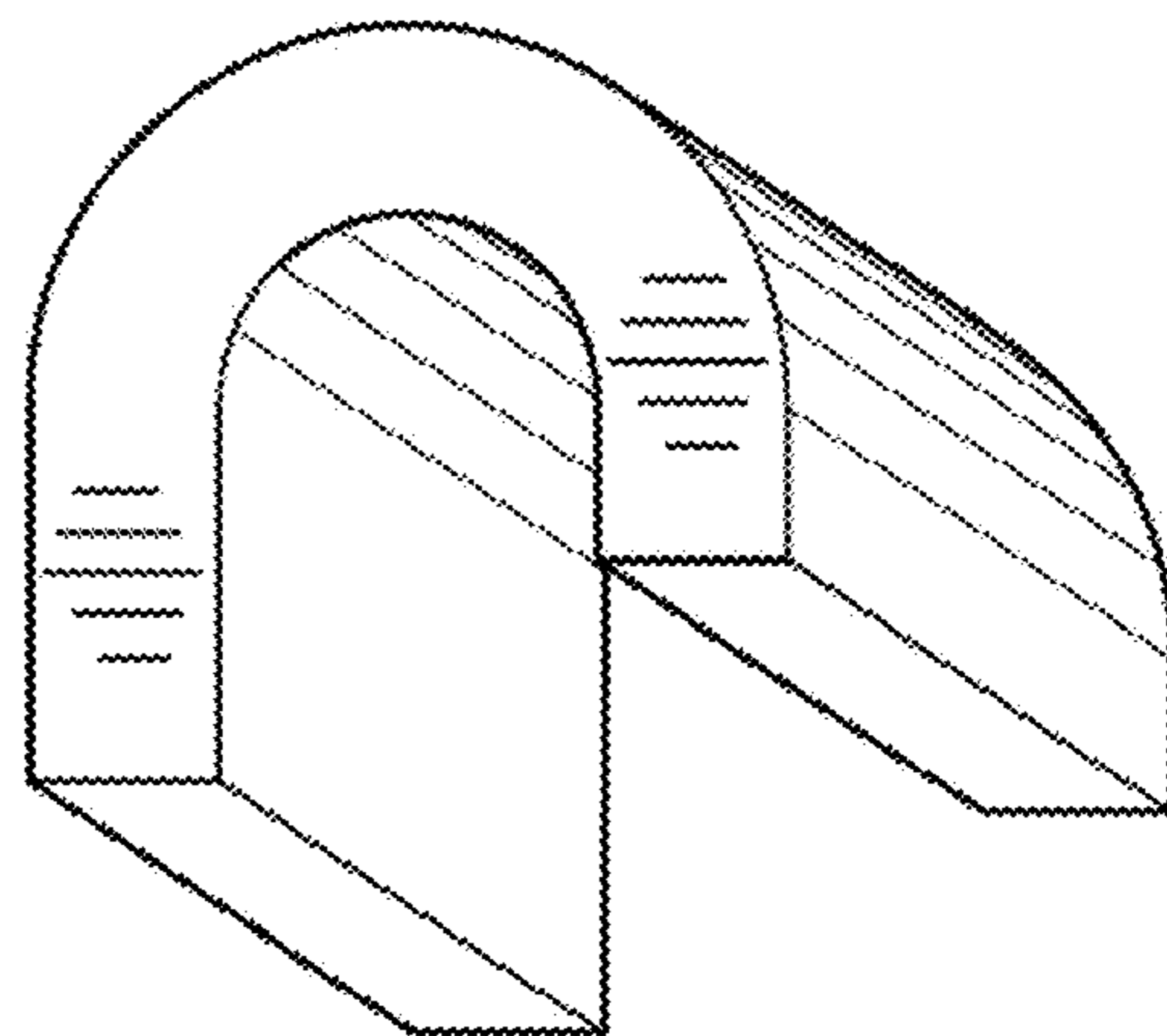


FIG. 3

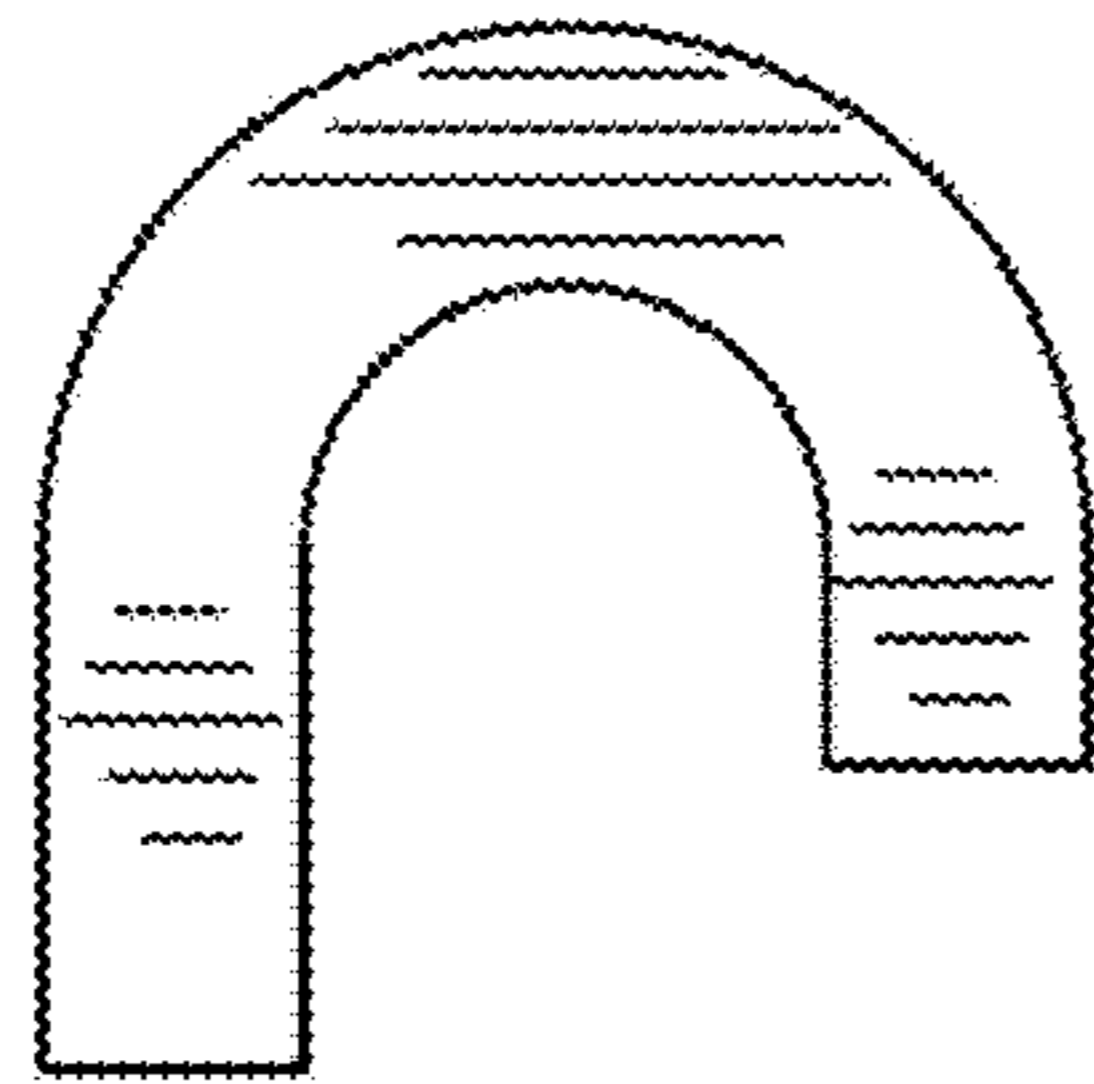


FIG. 4

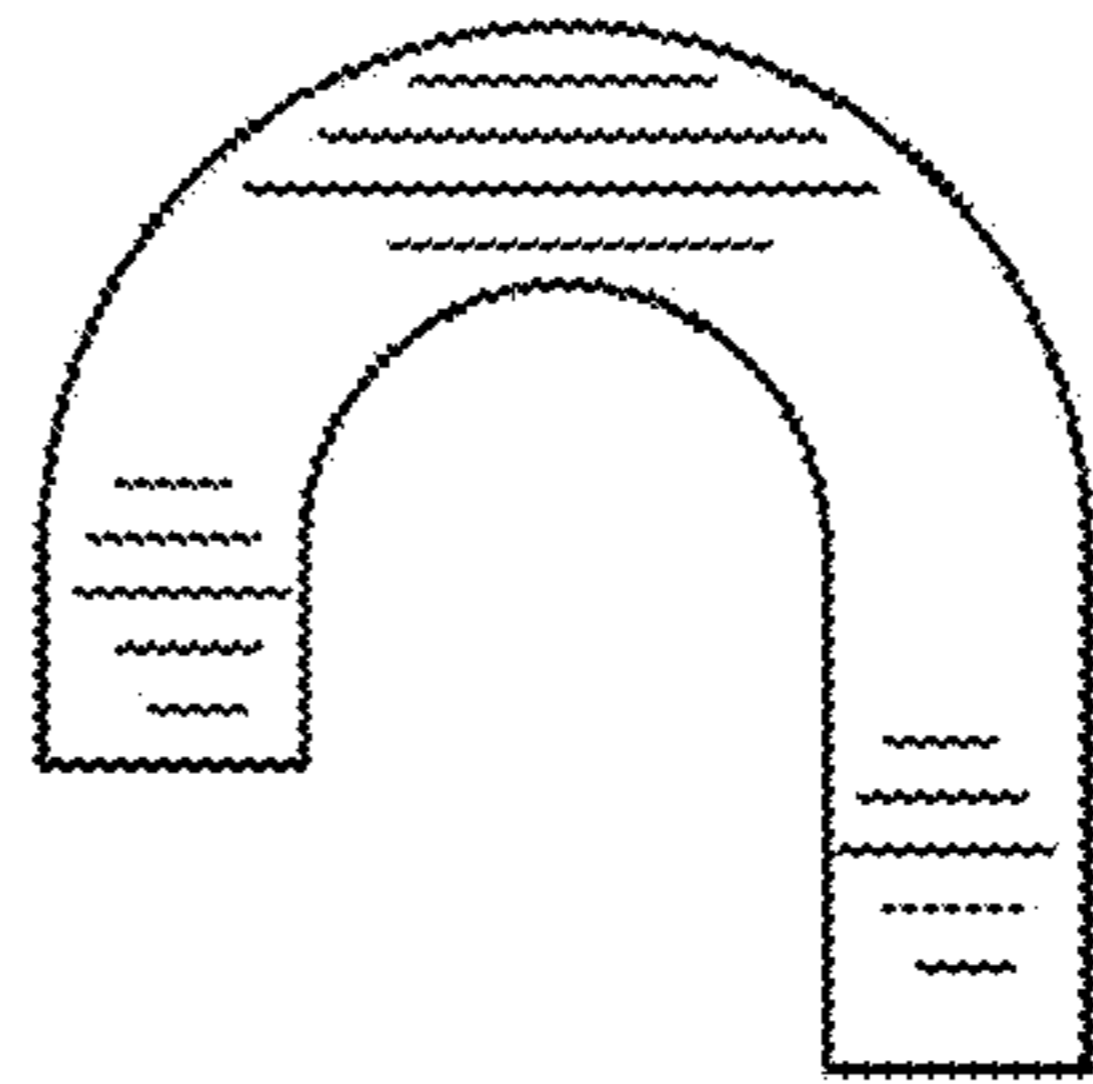


FIG. 5

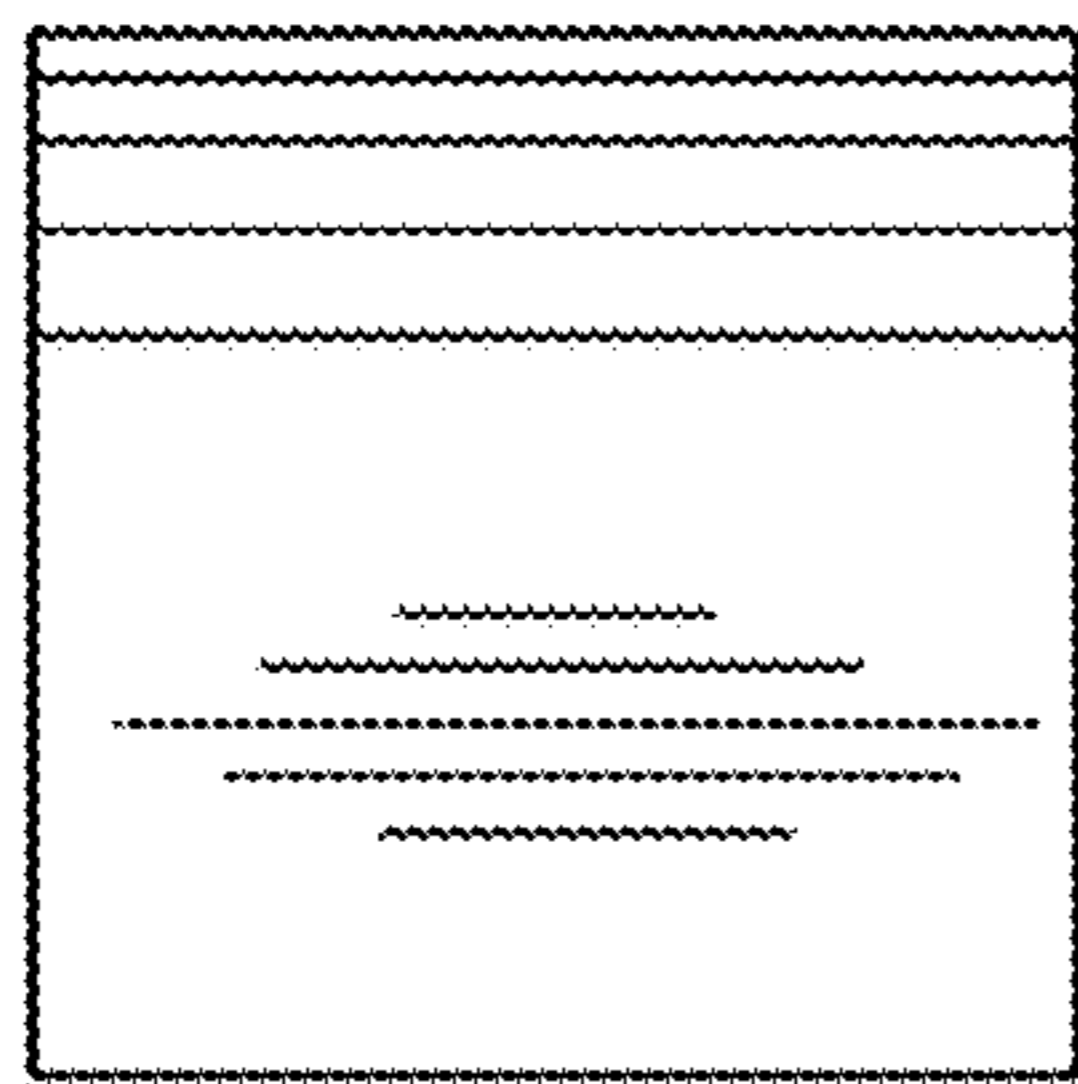


FIG. 6

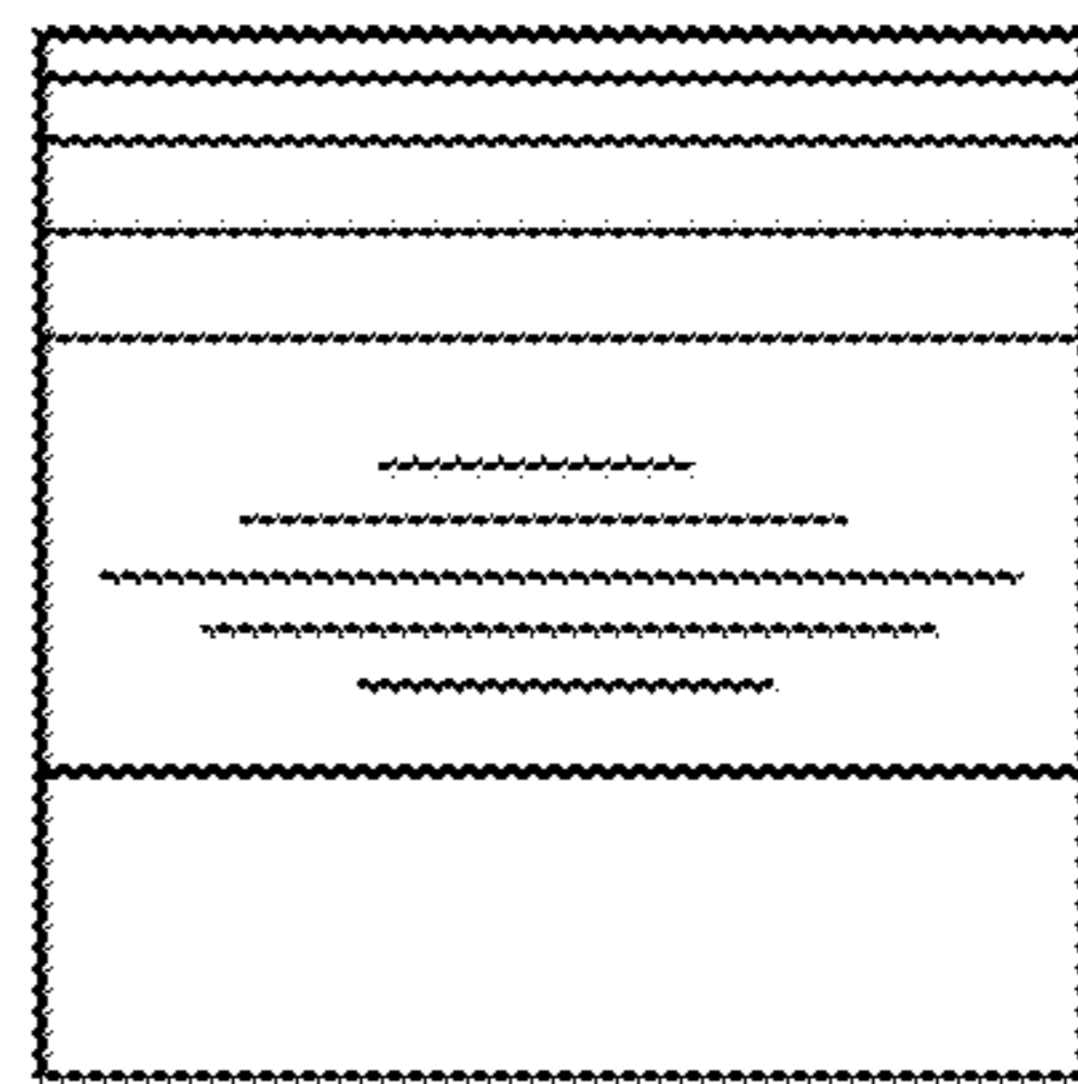


FIG. 7

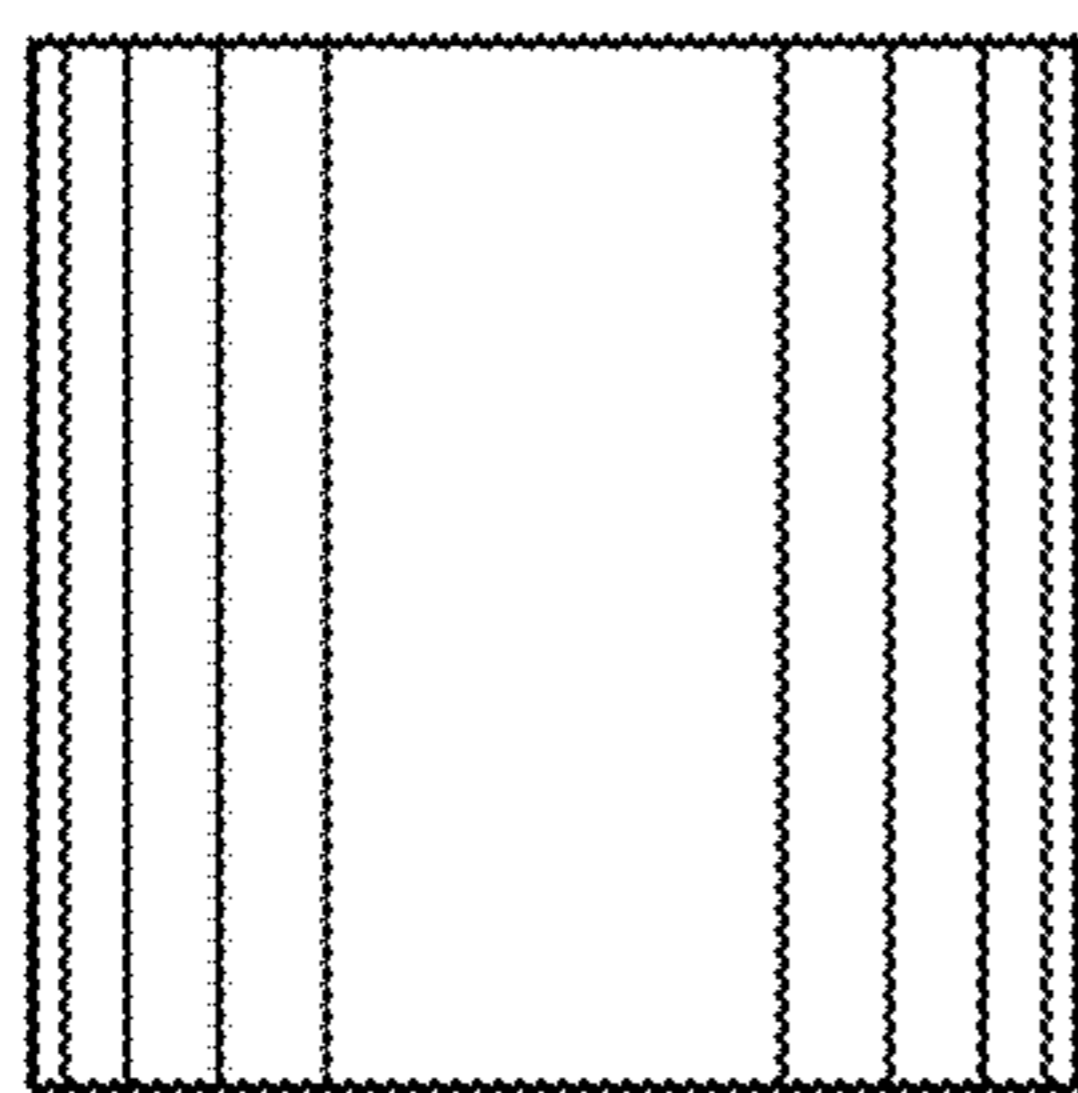


FIG. 8

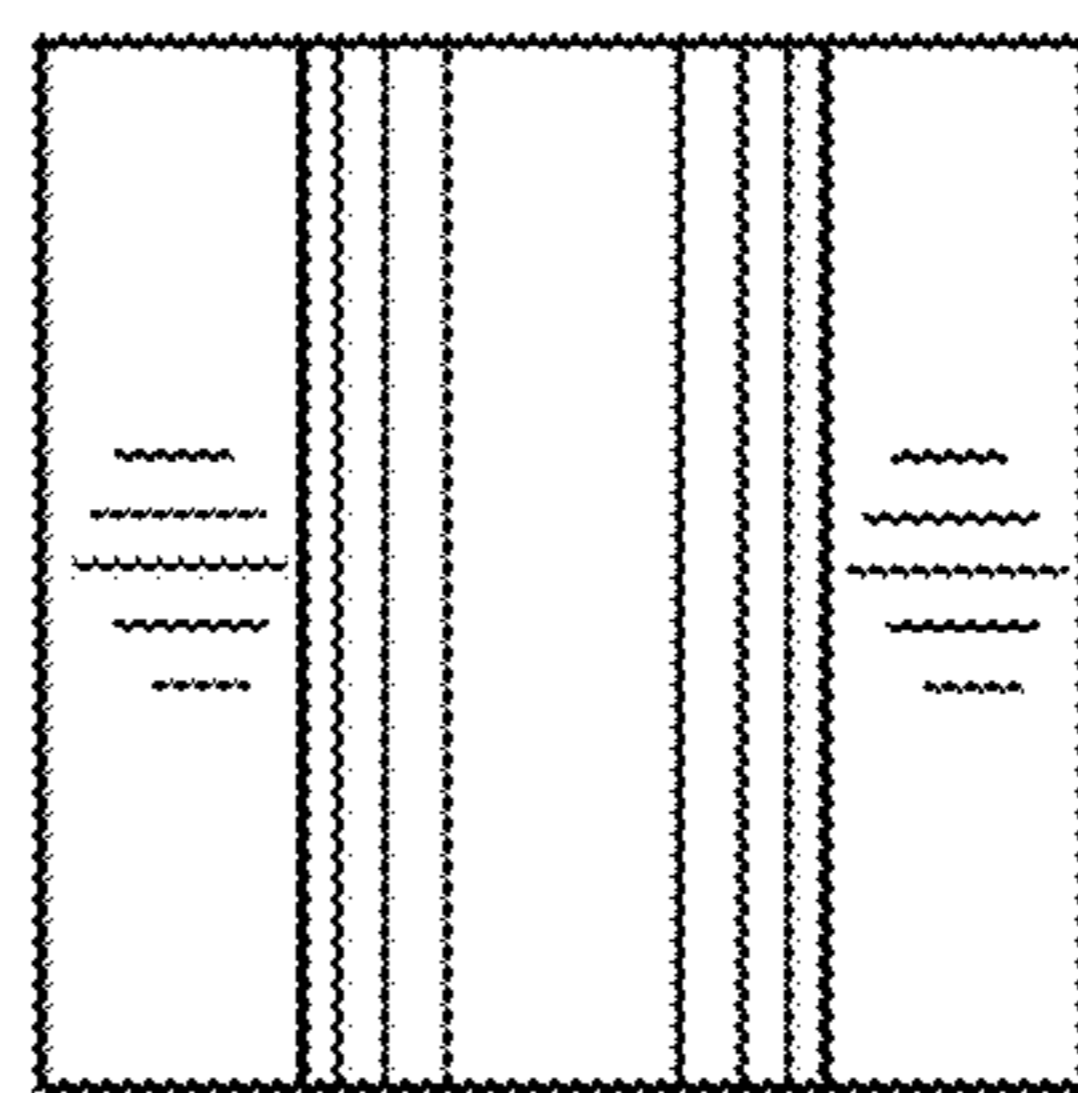


FIG. 9