



US00D790079S

(12) **United States Design Patent**
Singh

(10) **Patent No.:** **US D790,079 S**

(45) **Date of Patent:** **** Jun. 20, 2017**

- (54) **TRIM REVEAL EXTRUSION**
- (71) Applicant: **Joshua George Singh**, Calgary (CA)
- (72) Inventor: **Joshua George Singh**, Calgary (CA)
- (**) Term: **15 Years**
- (21) Appl. No.: **29/549,898**
- (22) Filed: **Dec. 29, 2015**
- (51) **LOC (10) Cl.** **25-01**
- (52) **U.S. Cl.**
USPC **D25/119**
- (58) **Field of Classification Search**
USPC D25/35, 38.1, 41.1, 42, 43, 44, 47.1,
D25/48.1, 48.4, 58, 119-123, 125, 136,
D25/137, 164, 199; 52/62, 169.5, 254,
52/255, 281, 282.1, 287.1, 288.1, 371,
52/459, 461, 465, 471, 472, 716.2, 706,
52/717.01; 160/368.1, 395; D8/349,
D8/354, 355, 366, 373, 377, 380, 381,
D8/403; D20/10, 43, 44
CPC E04F 2013/063; E04F 13/00; E04F 13/06;
E04F 15/142; E04F 19/02; E04F 19/0436;
E04F 19/0495; E04F 19/061; E04F 19/04;
B60R 13/04; B60R 13/0206; B60R 13/02;
A47B 95/00; A47B 96/201; E04C 2/08
See application file for complete search history.

- D598,138 S * 8/2009 Bergmann D25/121
- D598,139 S * 8/2009 Bergmann D25/122
- D611,743 S * 3/2010 Mitten D8/377
- D656,603 S * 3/2012 Egan D25/136
- D689,199 S * 9/2013 Elizarraras D25/136
- D693,483 S * 11/2013 Krieger E04B 2/30
D25/119
- 8,745,950 B2 * 6/2014 Ito E04F 13/0803
52/311.1
- D711,021 S * 8/2014 Singh D25/119
- D711,555 S * 8/2014 Singh D25/119
- D742,540 S * 11/2015 Singh D25/119
- D742,543 S * 11/2015 Singh D25/119
- D742,548 S * 11/2015 Singh D25/119
- D746,669 S * 1/2016 McBride E04F 19/061
D25/121
- D752,422 S * 3/2016 Veilleux D8/377
- D767,382 S * 9/2016 Libreiro D25/119

(Continued)

Primary Examiner — Cynthia Ramirez
Assistant Examiner — Llorellys Martinez-Rivera
 (74) *Attorney, Agent, or Firm* — Tai W. Nahm; Miller Thomson LLP.

(57) **CLAIM**

The ornamental design for a trim reveal extrusion, as shown and described.

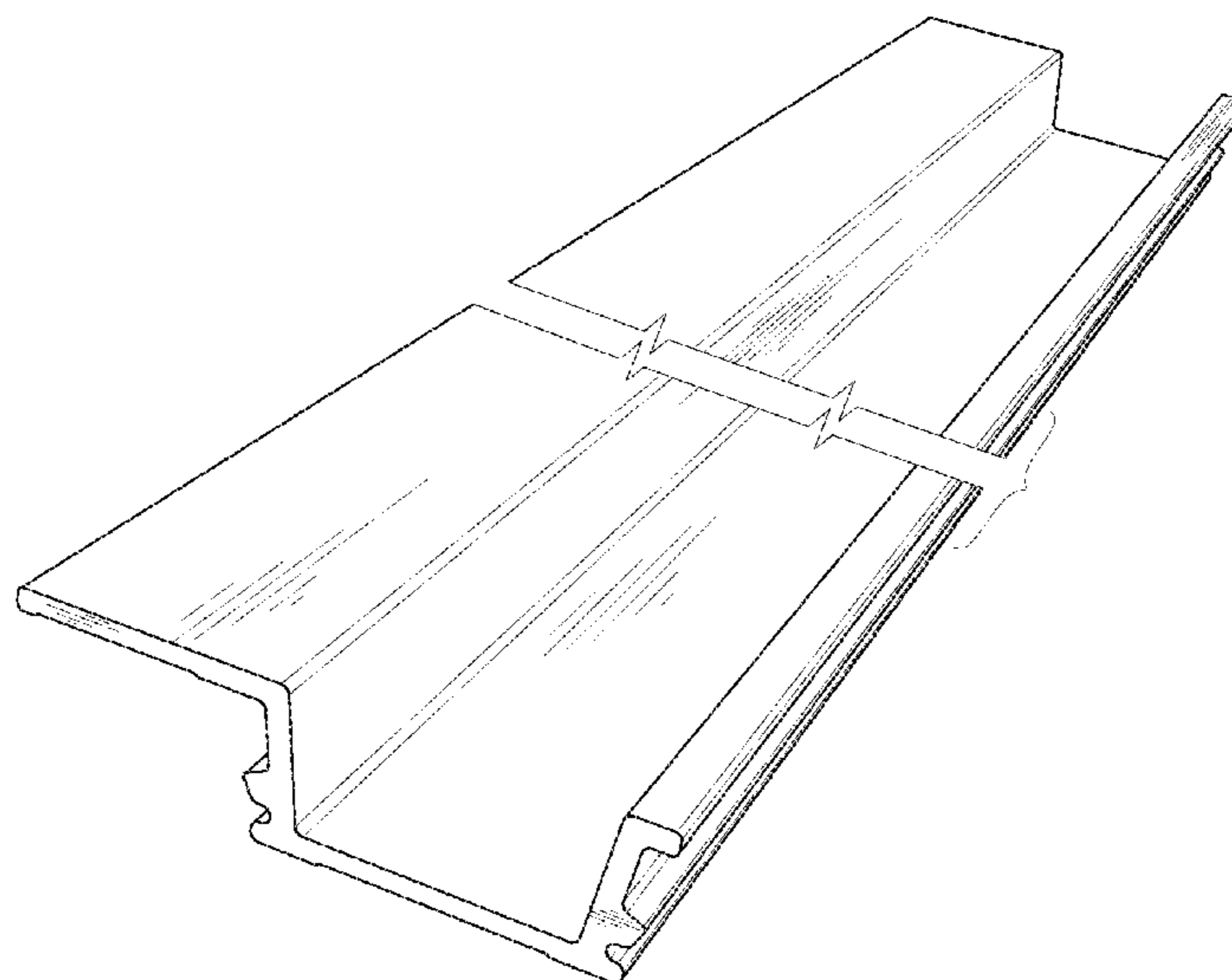
DESCRIPTION

FIG. 1 is a perspective view of a trim reveal extrusion showing my new design.
 FIG. 2 is a cross-sectional view thereof; and,
 FIG. 3 is an end elevational view thereof illustrating an exemplary environmental use.
 The broken lines are for environmental purposes only and form no part of the claimed design.
 The trim reveal extrusion is shown with a symbolic break in its length. The appearance of any portion of the trim reveal extrusion between the jagged break lines form no part of the claimed design.

1 Claim, 1 Drawing Sheet

(56) **References Cited**
 U.S. PATENT DOCUMENTS

- 3,868,803 A * 3/1975 Bice E06B 9/02
D25/48.1
- 4,000,597 A * 1/1977 Burton E04F 19/02
52/716.1
- D357,407 S * 4/1995 Pate D8/381
- D441,876 S * 5/2001 Eaton D25/121
- D443,368 S * 6/2001 Eaton D25/121
- D554,775 S * 11/2007 Antonic D25/119
- D582,569 S * 12/2008 Moreau D25/119



(56)

References Cited

U.S. PATENT DOCUMENTS

2003/0182889 A1* 10/2003 Takagi E04F 19/02
52/579
2012/0255249 A1* 10/2012 Singh E04F 19/065
52/302.1
2015/0082738 A1* 3/2015 Austin E04F 15/126
52/717.06

* cited by examiner

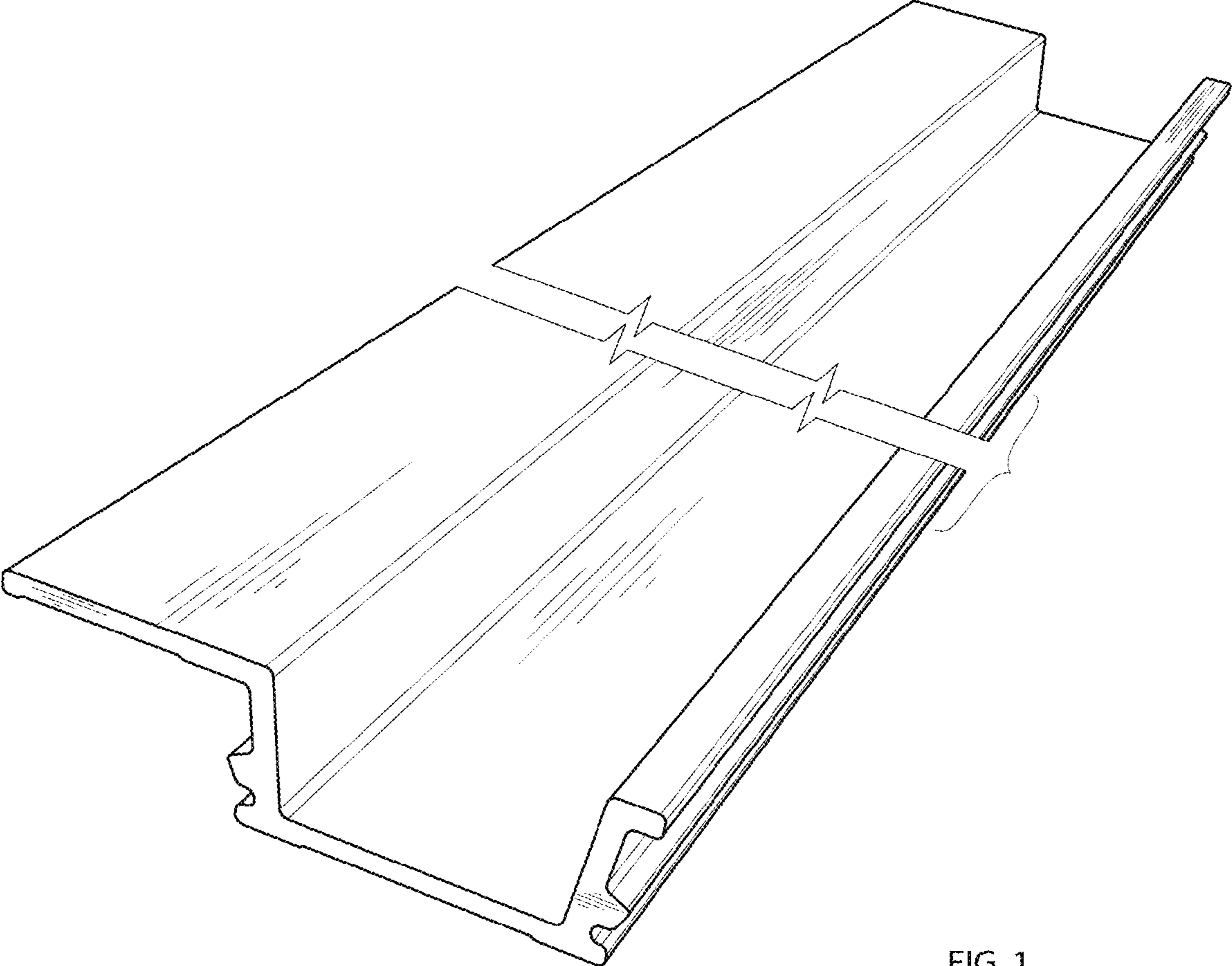


FIG. 1

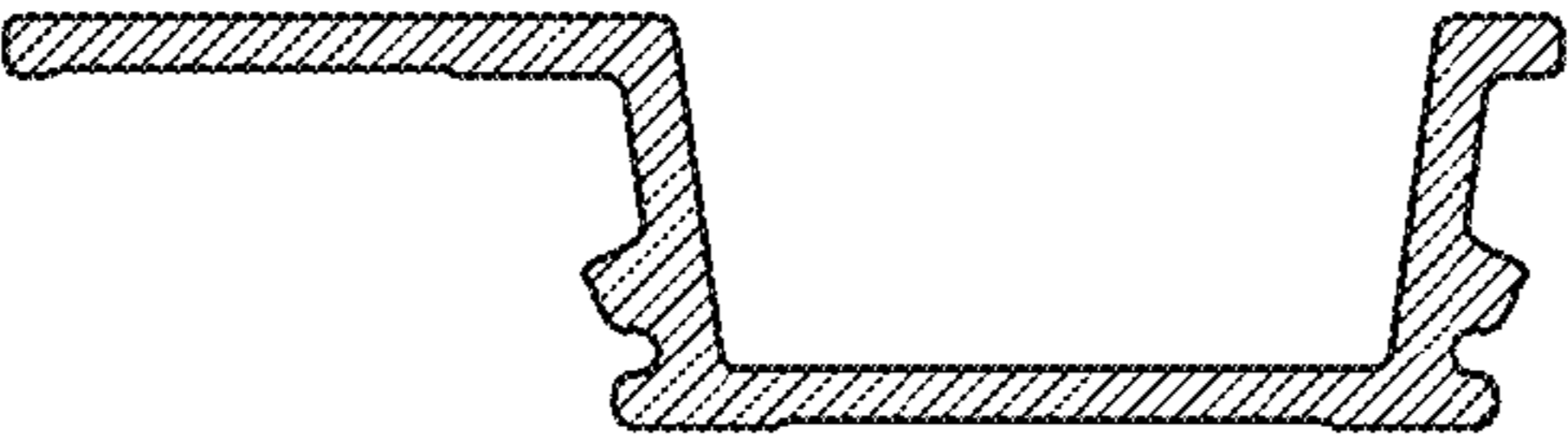


FIG. 2

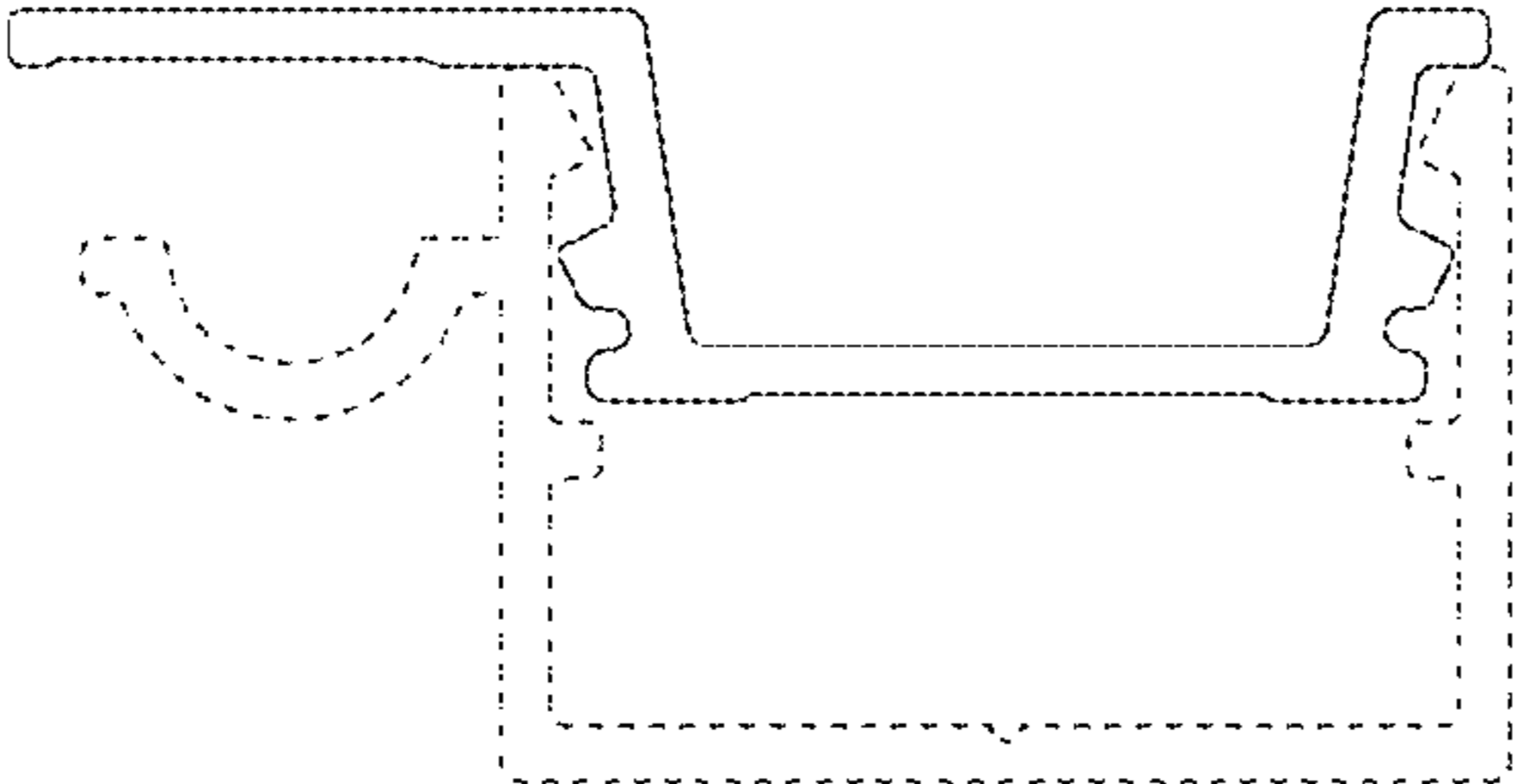


FIG. 3