



US00D790078S

(12) **United States Design Patent**  
**Singh**

(10) **Patent No.:** **US D790,078 S**

(45) **Date of Patent:** **\*\* Jun. 20, 2017**

(54) **TRIM REVEAL EXTRUSION**

(71) Applicant: **Joshua George Singh**, Calgary (CA)

(72) Inventor: **Joshua George Singh**, Calgary (CA)

(\*\*) Term: **15 Years**

(21) Appl. No.: **29/547,463**

(22) Filed: **Dec. 3, 2015**

(51) **LOC (10) Cl.** ..... **25-01**

(52) **U.S. Cl.**  
USPC ..... **D25/119**

(58) **Field of Classification Search**  
USPC ..... D25/35, 38.1, 41.1, 42, 43, 44, 47.1,  
D25/48.1, 48.4, 58, 119-123, 125, 136,  
D25/137, 164, 199; 52/62, 169.5, 254,  
52/255, 281, 282.1, 287.1, 288.1, 371,  
52/459, 461, 465, 471, 472, 716.2, 706,  
52/717.01; 160/368.1, 395; D8/349,  
D8/354, 355, 366, 373, 377, 380, 381,  
D8/403; D20/10, 43, 44  
CPC ..... E04F 2013/063; E04F 13/00; E04F 13/06;  
E04F 15/142; E04F 19/02; E04F 19/0436;  
E04F 19/0495; E04F 19/061; E04F 19/04;  
B60R 13/04; B60R 13/0206; B60R 13/02;  
A47B 95/00; A47B 96/201; E04C 2/08  
See application file for complete search history.

D523,565 S \* 6/2006 Antonic ..... D25/119  
D529,630 S \* 10/2006 Zarb ..... D25/119  
D573,723 S \* 7/2008 Vibiano ..... D25/136  
D574,513 S \* 8/2008 Vibiano ..... D25/136  
D680,661 S \* 4/2013 Elizarraras ..... D25/136  
D711,022 S \* 8/2014 Singh ..... D25/119  
D711,554 S \* 8/2014 Singh ..... D25/119  
D711,556 S \* 8/2014 Singh ..... D25/119  
D742,546 S \* 11/2015 Singh ..... D25/119  
D742,547 S \* 11/2015 Singh ..... D25/119  
D750,806 S \* 3/2016 Singh ..... D25/119  
2012/0255249 A1\* 10/2012 Singh ..... E04F 19/061  
52/302.1  
2016/0168869 A1\* 6/2016 Curtis ..... E04F 19/02  
52/716.2

\* cited by examiner

*Primary Examiner* — Cynthia Ramirez  
*Assistant Examiner* — Llorellys Martinez-Rivera  
(74) *Attorney, Agent, or Firm* — Tai W. Nahm; Miller  
Thomson LLP.

(57) **CLAIM**

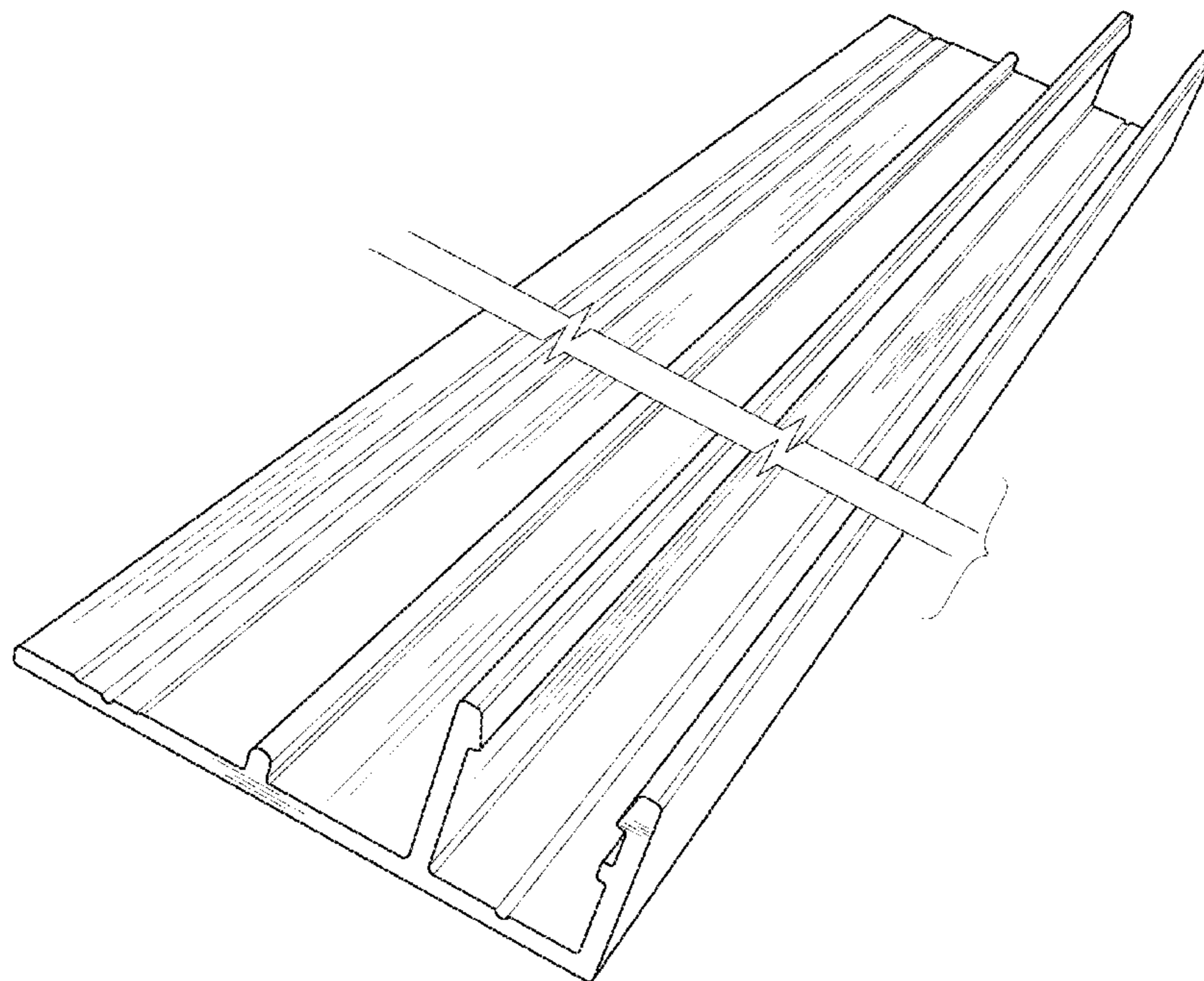
The ornamental design for a trim reveal extrusion, as shown and described.

**DESCRIPTION**

FIG. 1 is a perspective view of a trim reveal extrusion showing my new design; and,  
FIG. 2 is a cross-sectional view thereof.  
The trim reveal extrusion is shown with a symbolic break in its length. The appearance of any portion of the trim reveal extrusion between the jagged break lines form no part of the claimed design.

**1 Claim, 1 Drawing Sheet**

(56) **References Cited**  
U.S. PATENT DOCUMENTS  
5,222,343 A \* 6/1993 Anderson ..... E04F 19/061  
52/717.01  
D502,090 S \* 2/2005 Castellanos ..... D8/377



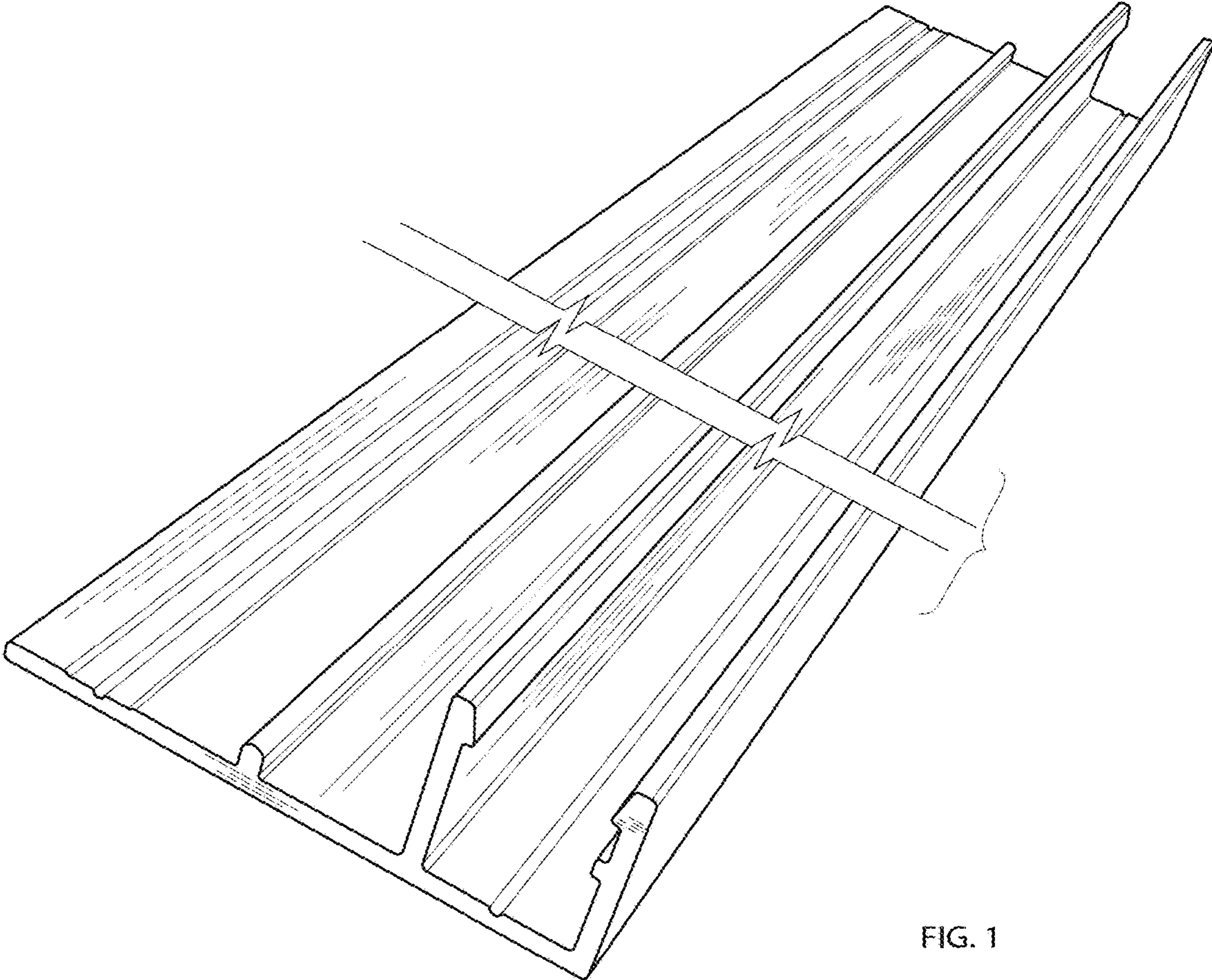


FIG. 1

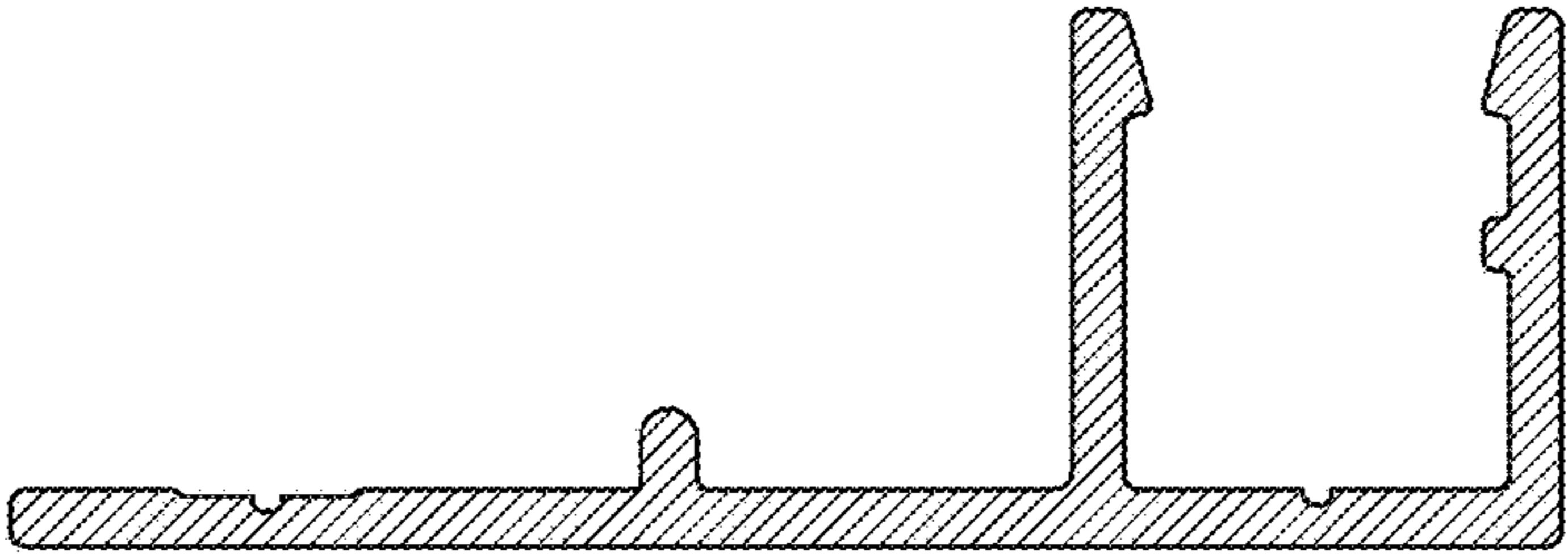


FIG. 2