



US00D790075S

(12) **United States Design Patent**  
**Singh**

(10) **Patent No.:** **US D790,075 S**  
(45) **Date of Patent:** **\*\* Jun. 20, 2017**

- (54) **TRIM REVEAL EXTRUSION**
- (71) Applicant: **Joshua George Singh**, Calgary (CA)
- (72) Inventor: **Joshua George Singh**, Calgary (CA)
- (\*\*) Term: **15 Years**
- (21) Appl. No.: **29/547,330**
- (22) Filed: **Dec. 2, 2015**
- (51) **LOC (10) Cl.** ..... **25-01**
- (52) **U.S. Cl.**  
USPC ..... **D25/119**
- (58) **Field of Classification Search**  
USPC ..... D25/35, 38.1, 41.1, 42, 43, 44, 47.1,  
D25/48.1, 48.4, 58, 119-123, 125, 136,  
D25/137, 164, 199; 52/62, 169.5, 254,  
52/255, 281, 282.1, 287.1, 288.1, 371,  
52/459, 461, 465, 471, 472, 716.2, 706,  
52/717.01; 160/368.1, 395; D8/349,  
D8/354, 355, 366, 373, 377, 380, 381,  
D8/403; D20/10, 43, 44  
CPC ..... E04F 2013/063; E04F 13/00; E04F 13/06;  
E04F 15/142; E04F 19/02; E04F 19/0436;  
E04F 19/0495; E04F 19/061; E04F 19/04;  
B60R 13/04; B60R 13/0206; B60R 13/02;  
A47B 95/00; A47B 96/201; E04C 2/08  
See application file for complete search history.

- 3,950,915 A \* 4/1976 Cole ..... F16B 12/46  
52/586.2
- D242,034 S \* 10/1976 Drawsky ..... D25/119
- 4,399,640 A \* 8/1983 Porter ..... E06B 3/28  
160/368.1
- D289,202 S \* 4/1987 Hardy ..... D25/119
- D304,086 S \* 10/1989 Eads ..... D25/119
- D315,414 S \* 3/1991 Westphal ..... D25/119
- D388,181 S \* 12/1997 Payton ..... D25/121
- D608,912 S \* 1/2010 Betty ..... D25/121

\* cited by examiner

*Primary Examiner* — Cynthia Ramirez  
*Assistant Examiner* — Llorellys Martinez-Riveria  
(74) *Attorney, Agent, or Firm* — Tai W. Nahm; Miller  
Thomson LLP

(57) **CLAIM**

The ornamental design for a trim reveal extrusion, as shown and described.

**DESCRIPTION**

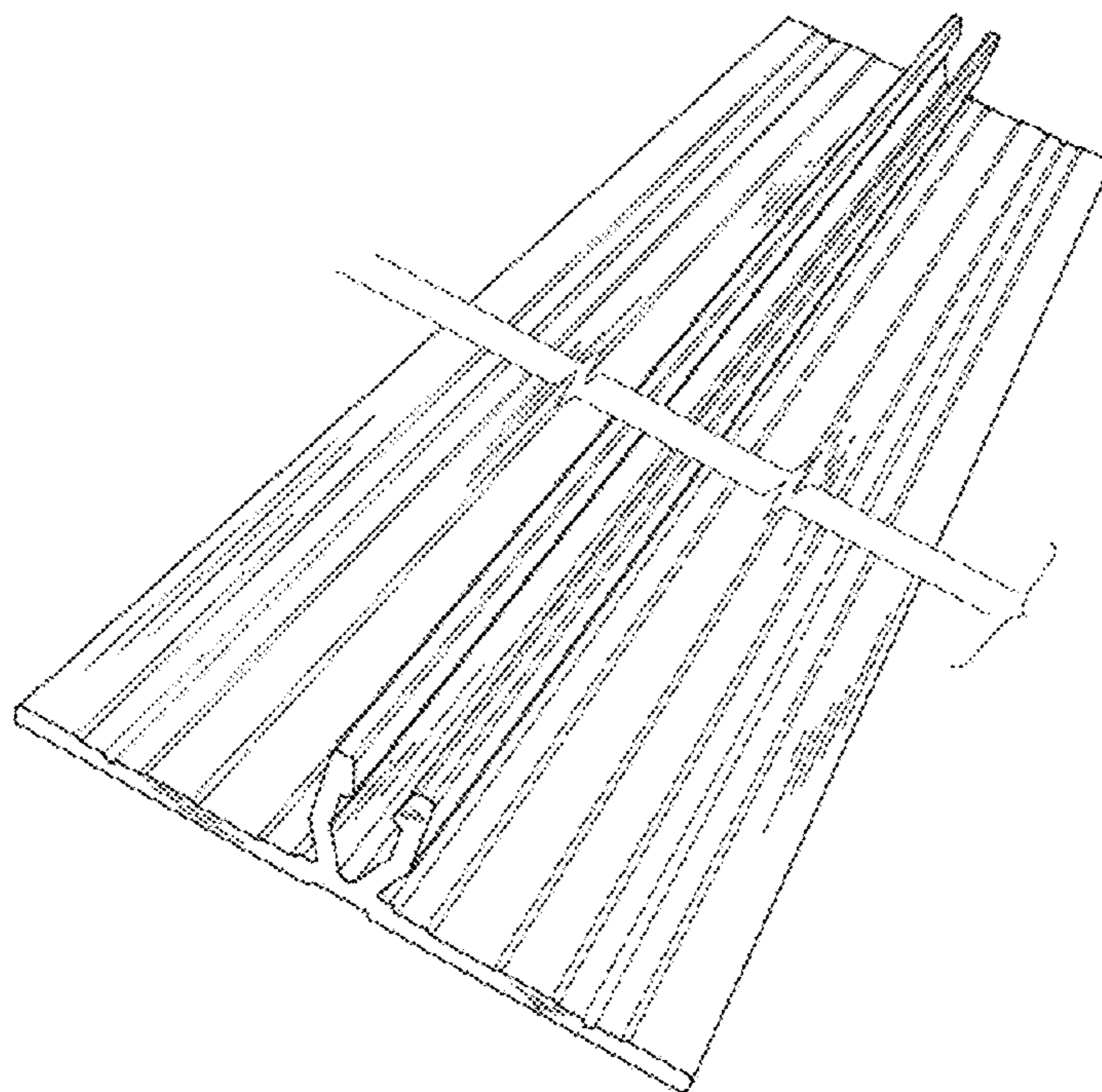
FIG. 1 is a perspective view of a trim reveal extrusion showing my new design; and, FIG. 2 is a cross-sectional view thereof. The trim reveal extrusion is shown with a symbolic break in its length. The appearance of any portion of the trim reveal extrusion between the jagged break lines form no part of the claimed design.

**1 Claim, 1 Drawing Sheet**

(56) **References Cited**

U.S. PATENT DOCUMENTS

- D177,034 S \* 3/1956 Fridolph ..... D25/121
- D228,748 S \* 10/1973 Littmann ..... D25/122



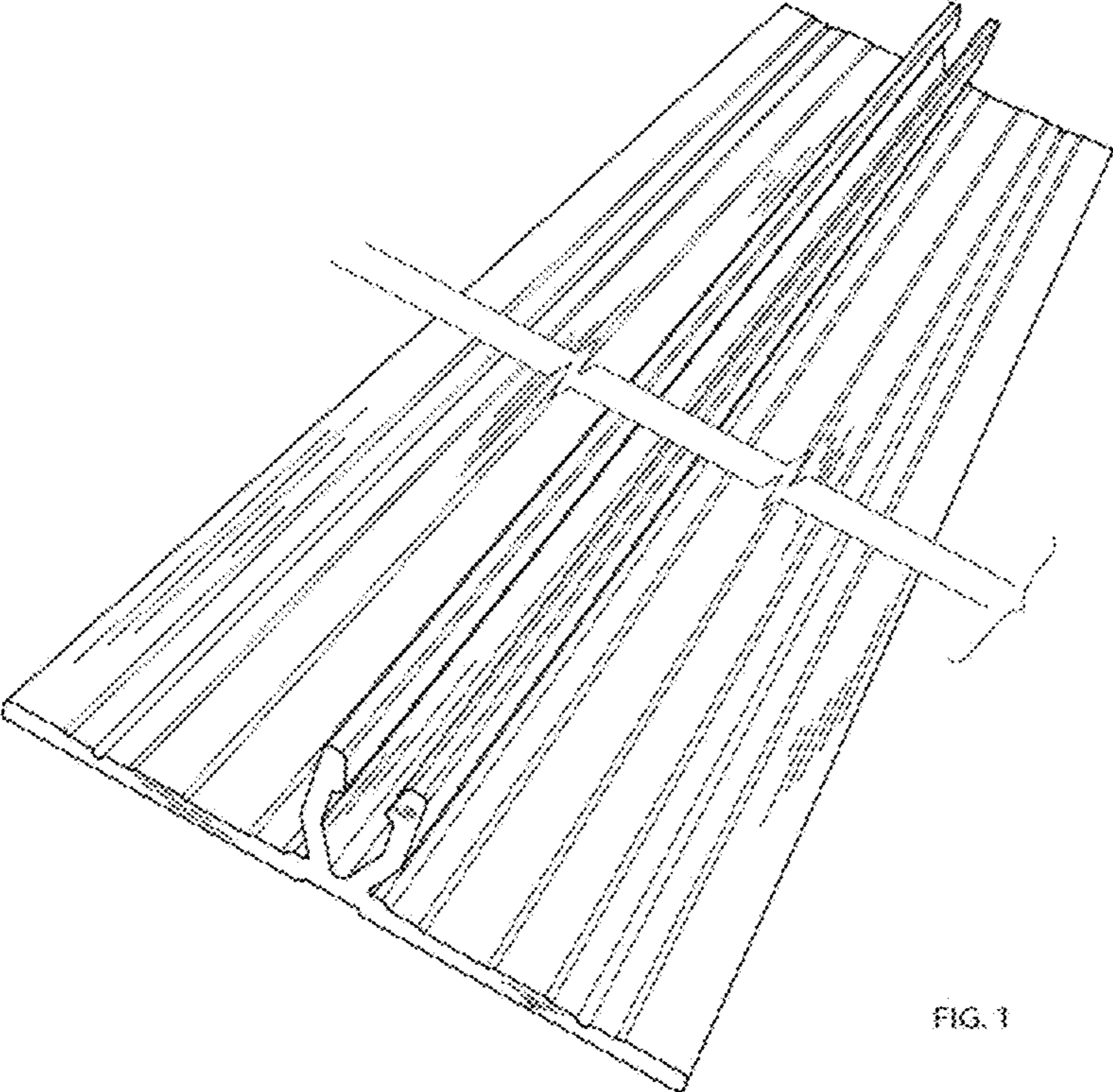


FIG. 1

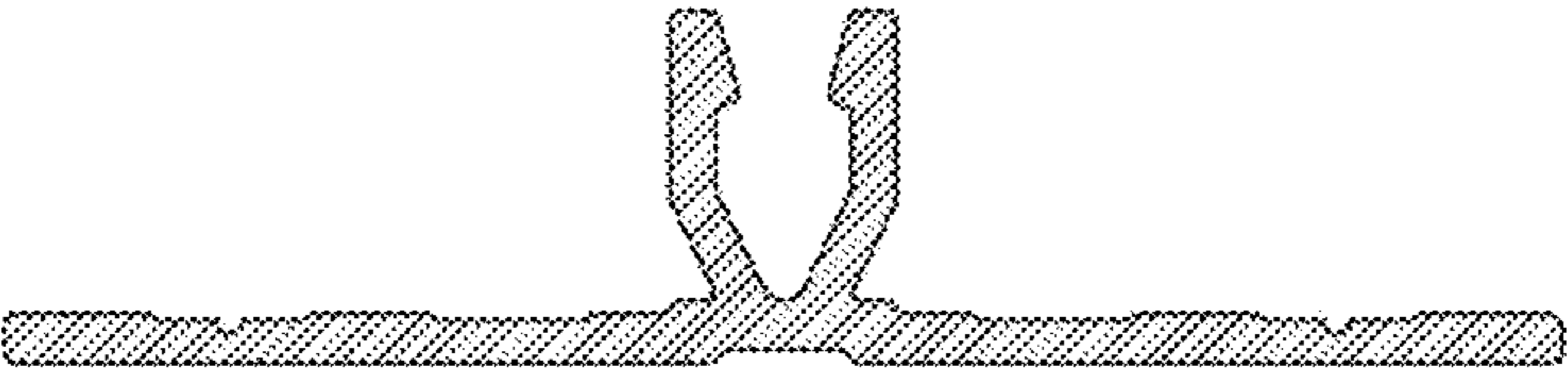


FIG. 2