



US00D790073S

(12) **United States Design Patent**  
**Mason et al.**

(10) **Patent No.:** **US D790,073 S**  
(45) **Date of Patent:** **\*\* Jun. 20, 2017**

(54) **DEVICE FOR ELECTRICAL CURRENT TREATMENT**

D517,218 S 3/2006 Kalen  
7,141,031 B2 11/2006 Garth et al.  
D539,917 S 4/2007 Park  
8,505,556 B2 8/2013 Park et al.  
D772,423 S \* 11/2016 de Oliveira ..... D24/215

(71) Applicant: **Ziip, LLC**, Jackson, WY (US)

(72) Inventors: **David Mason**, Piedmont, CA (US);  
**Melanie Simon**, Jackson, WY (US)

(73) Assignee: **Ziip, LLC**, Jackson, WY (US)

(\*\*) Term: **15 Years**

(21) Appl. No.: **29/566,763**

(22) Filed: **Jun. 2, 2016**

**Related U.S. Application Data**

(63) Continuation of application No. 29/531,918, filed on Jun. 30, 2015, now Pat. No. Des. 764,677, which is a continuation-in-part of application No. 14/587,638, filed on Dec. 31, 2014.

(51) **LOC (10) Cl.** ..... **28-03**

(52) **U.S. Cl.**  
USPC ..... **D24/215**

(58) **Field of Classification Search**  
USPC ..... D24/215  
CPC ..... A61F 2007/0087; A61H 2205/065; A61H 2205/022; A61H 2201/0153; A61H 15/0092; A61H 15/0085  
See application file for complete search history.

(56) **References Cited**

**U.S. PATENT DOCUMENTS**

6,338,170 B1 1/2002 De Simone  
D466,217 S 11/2002 Harris et al.

**OTHER PUBLICATIONS**

Notice of Allowance; U.S. Appl. No. 29/531,918; Mailed Apr. 13, 2016.

“Ziip”; <http://ziipbeauty.com/>; retrieved on Jun. 23, 2015.

\* cited by examiner

*Primary Examiner* — Antoine D Davis

(74) *Attorney, Agent, or Firm* — Polsinelli PC

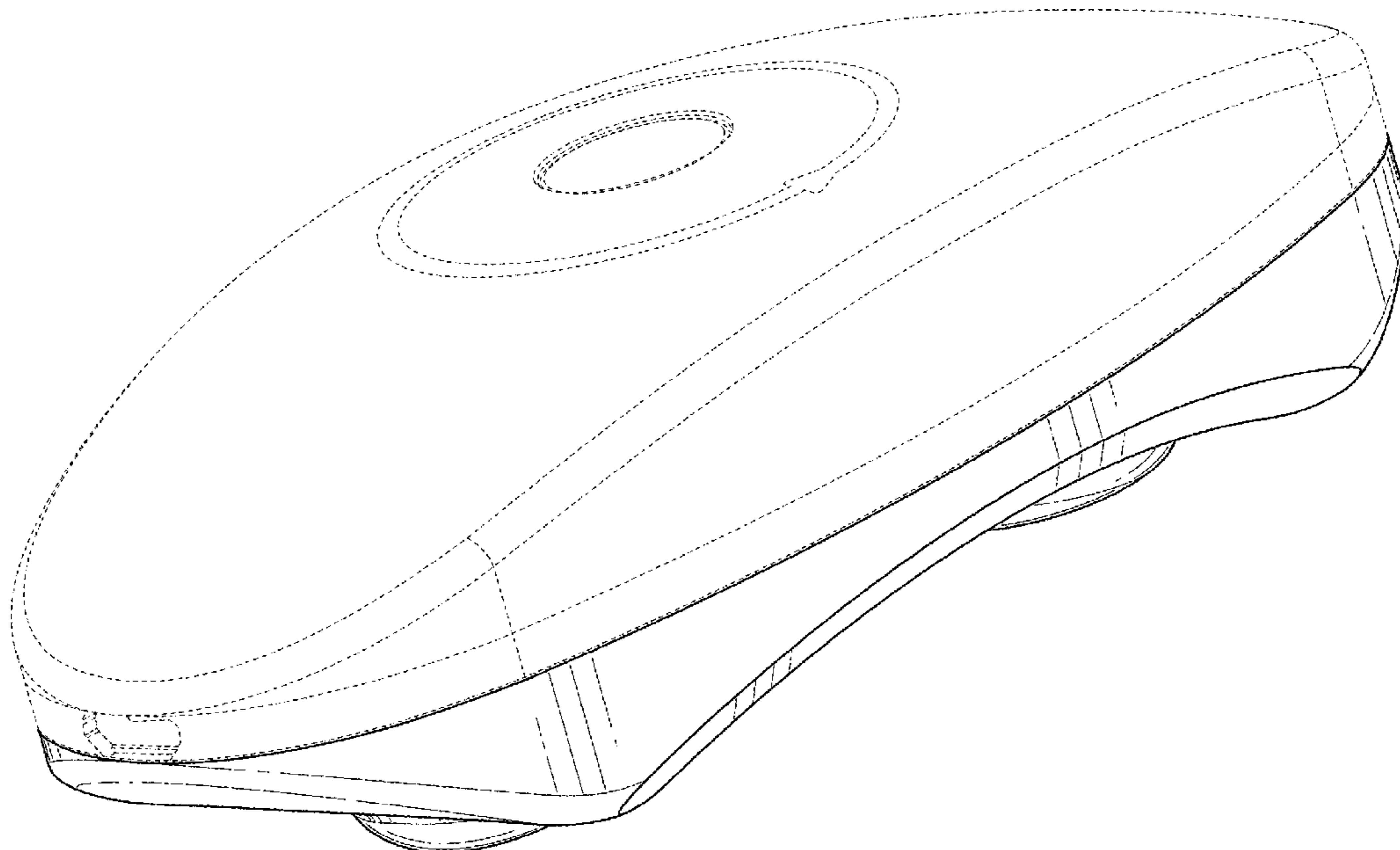
(57) **CLAIM**

We claim the ornamental design for a device for electrical current treatment, as shown and described.

**DESCRIPTION**

FIG. 1 is a perspective view of a device for electrical current treatment, showing our new design;  
FIG. 2 is a left side elevational view thereof;  
FIG. 3 is a right side elevational view thereof;  
FIG. 4 is a top plan view thereof;  
FIG. 5 is a bottom plan view thereof;  
FIG. 6 is a front elevational view thereof; and,  
FIG. 7 is a rear elevational view thereof.  
Broken lines are for illustrating unclaimed portions of the device for electrical current treatment; the broken lines form no part of the claimed design.

**1 Claim, 7 Drawing Sheets**



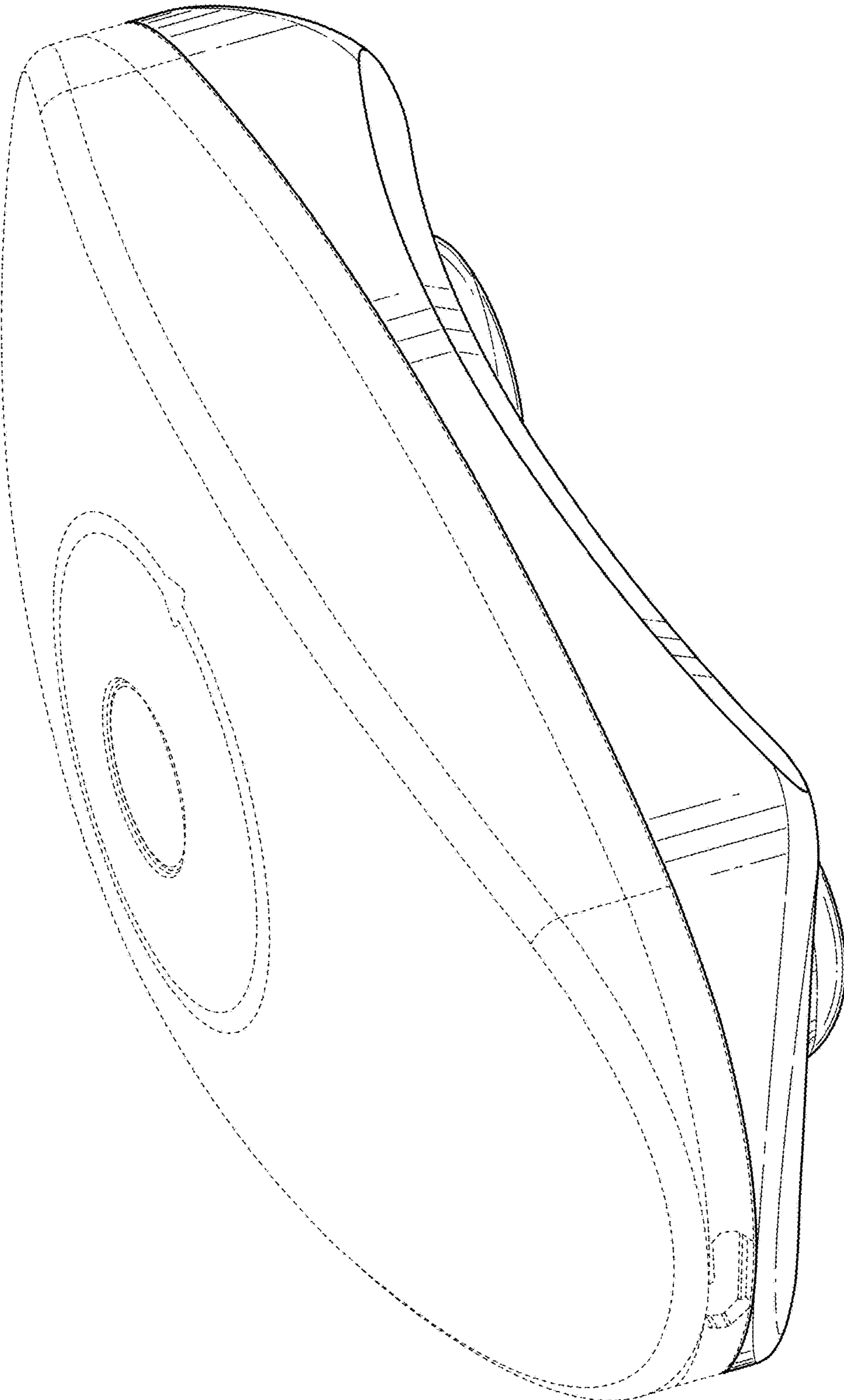


FIG. 1

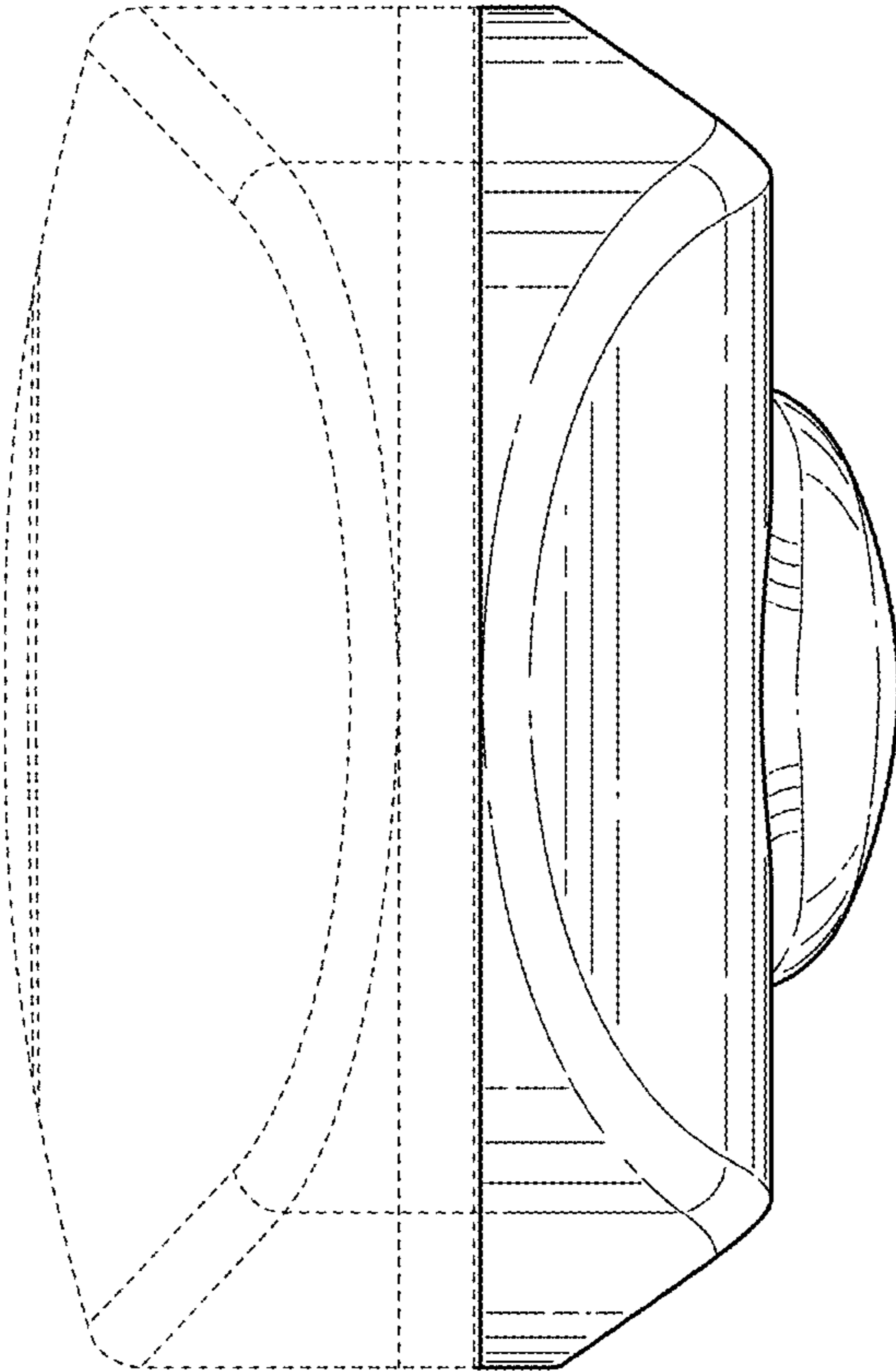


FIG. 2

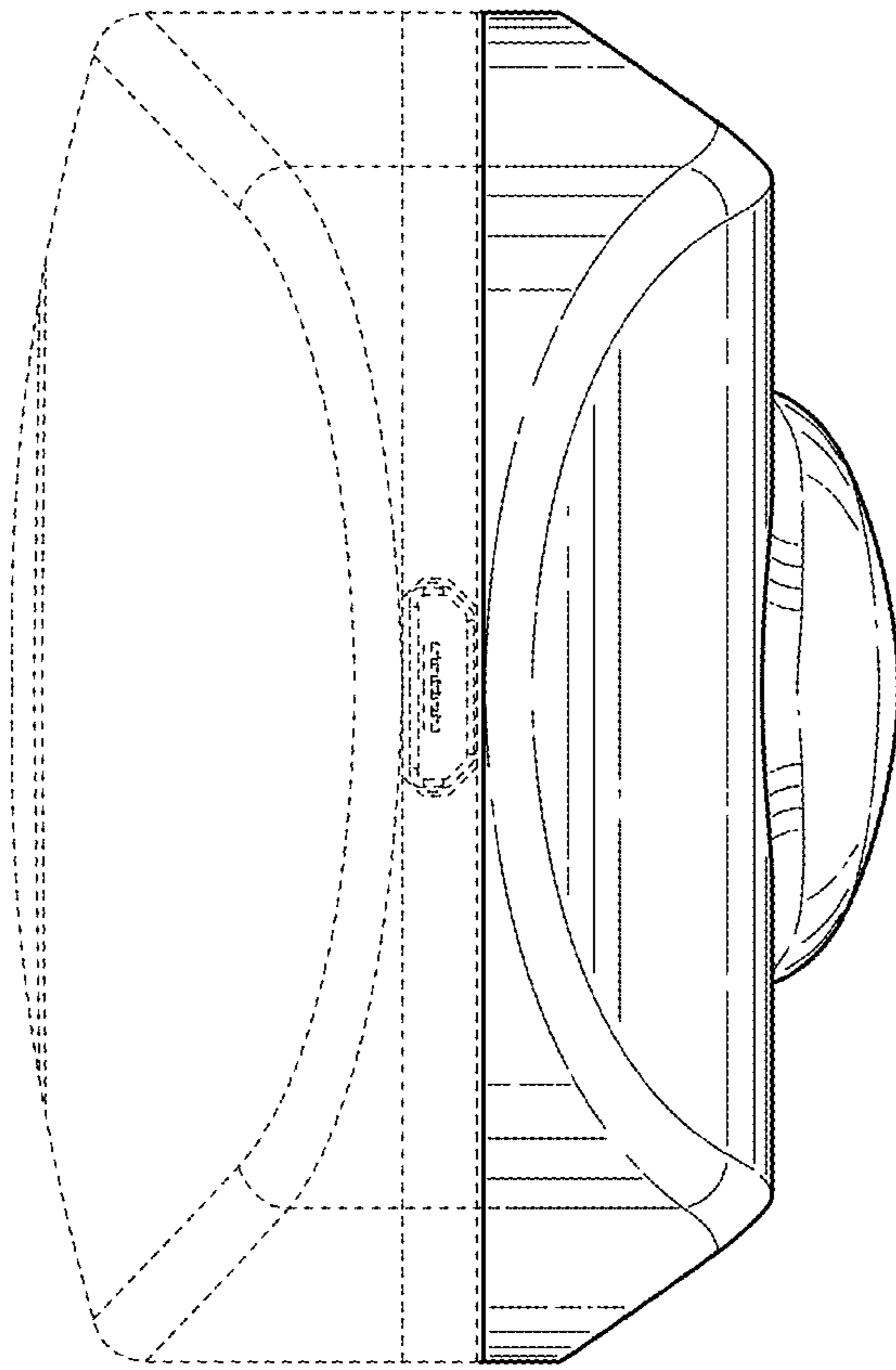


FIG. 3

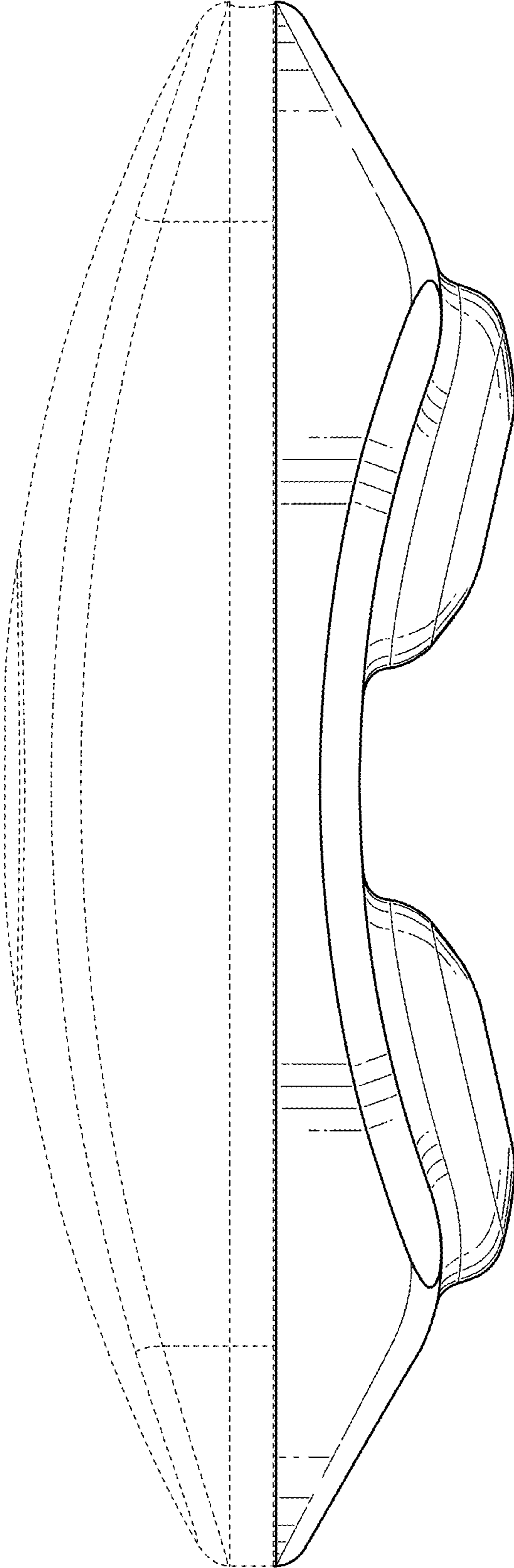


FIG. 4

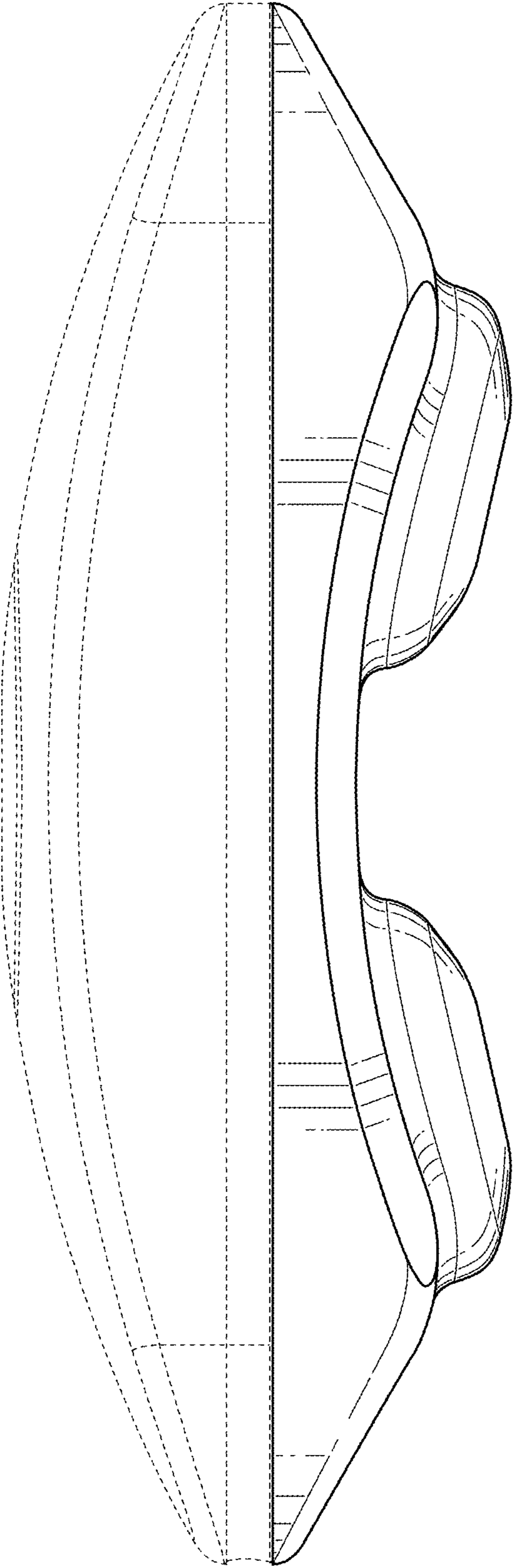


FIG. 5



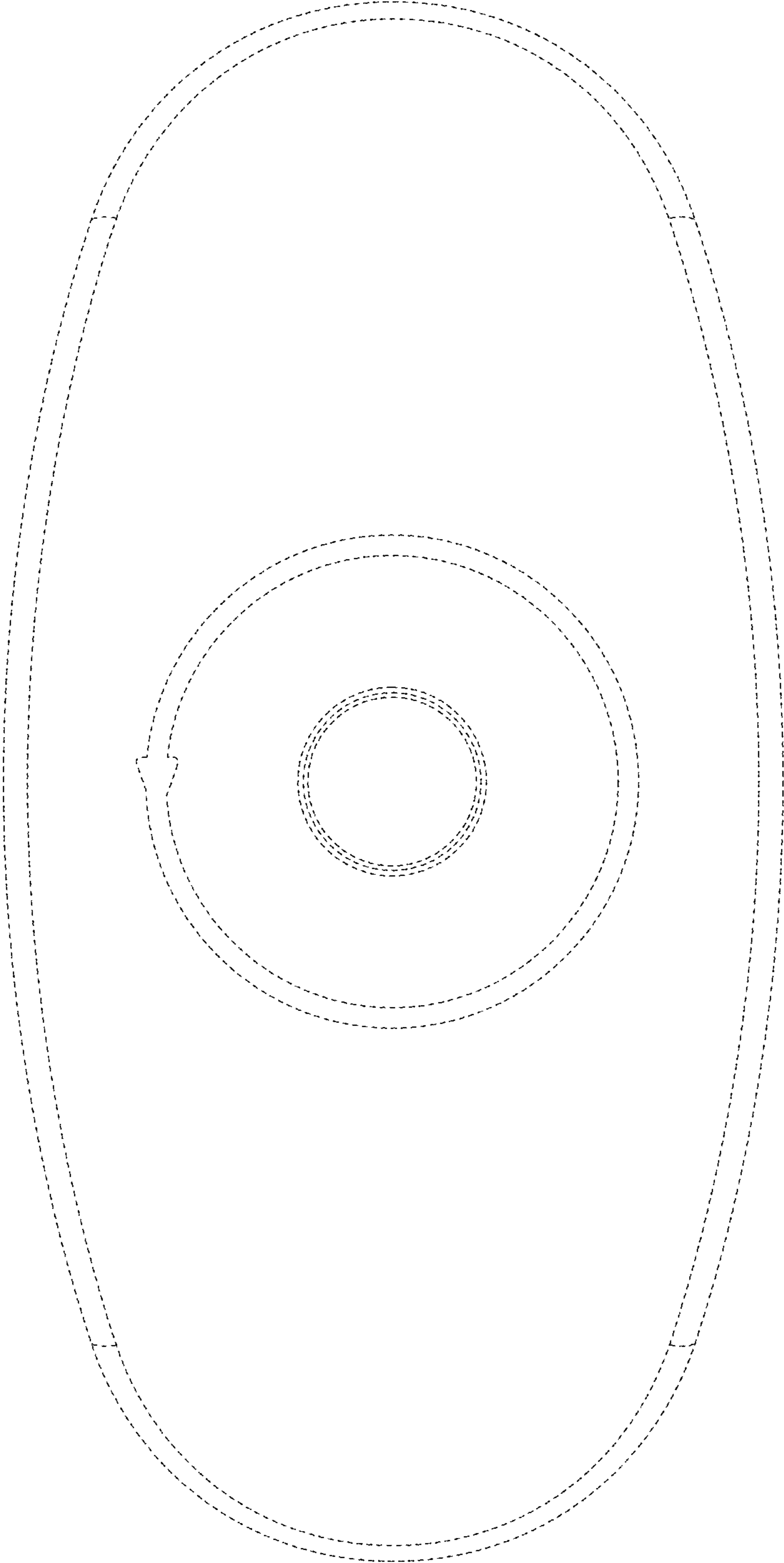


FIG. 6

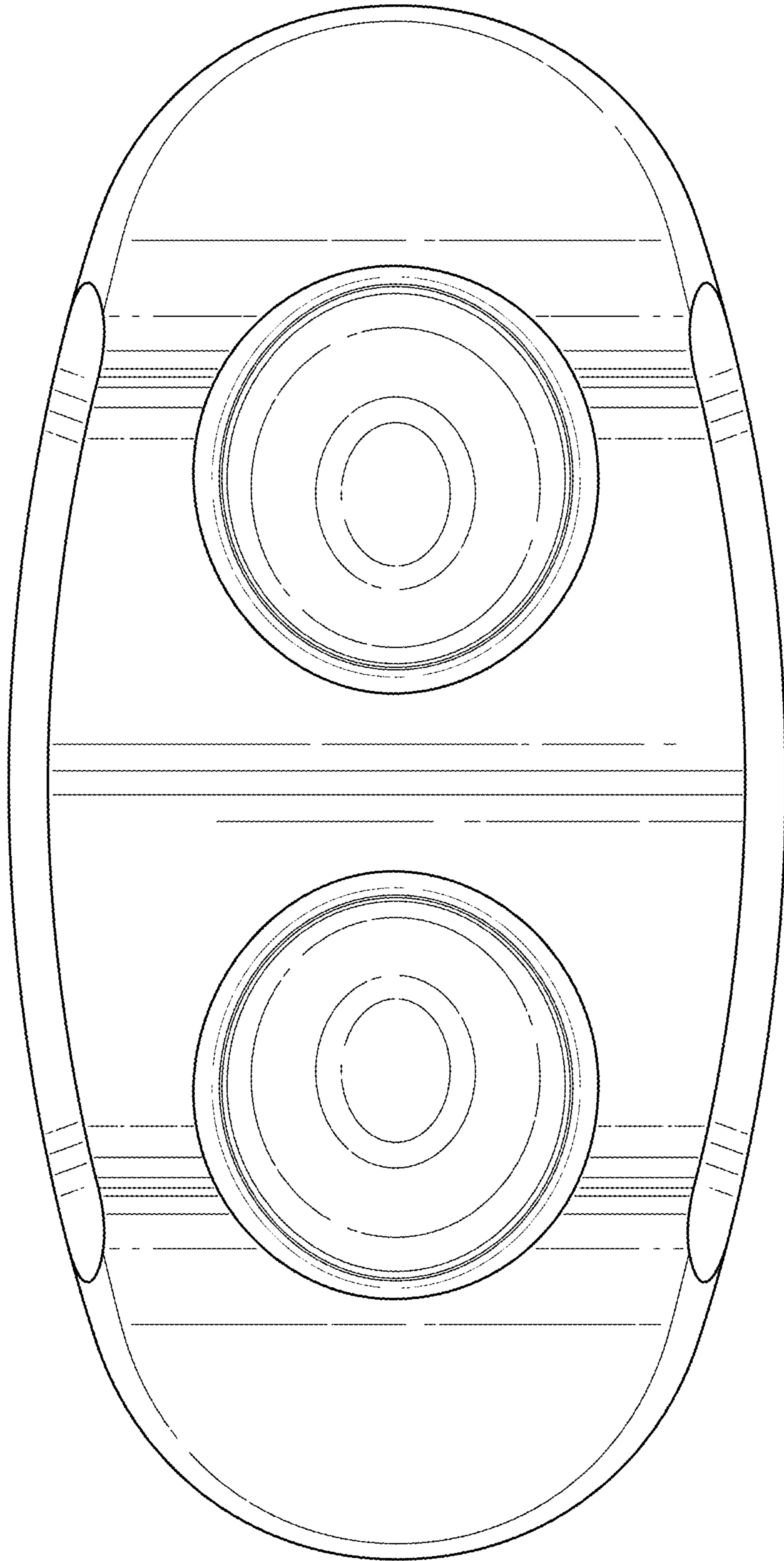


FIG. 7