



US00D790072S

(12) **United States Design Patent**  
**Hiebert**

(10) **Patent No.:** **US D790,072 S**

(45) **Date of Patent:** **\*\* Jun. 20, 2017**

(54) **CERVICAL COLLAR**

(71) Applicant: **Eugene Lloyd Hiebert**, Salem, OR  
(US)

(72) Inventor: **Eugene Lloyd Hiebert**, Salem, OR  
(US)

(\*\*) Term: **15 Years**

(21) Appl. No.: **29/548,578**

(22) Filed: **Dec. 15, 2015**

(51) **LOC (10) Cl.** ..... **24-01**

(52) **U.S. Cl.**  
USPC ..... **D24/191**

(58) **Field of Classification Search**  
USPC ..... D24/190-192; D29/100-102  
CPC .. A61F 5/028; A61F 5/03; A61F 5/024; A61F  
5/0193; A61F 5/02; A61F 5/026; A61F  
5/0118; A61F 5/022; A61F 5/30; A61F  
7/02; A61F 2007/0001; A61F 5/0106;  
A61F 5/055; A61F 2250/001

See application file for complete search history.

(56) **References Cited**

**U.S. PATENT DOCUMENTS**

2,818,063	A	12/1957	Smith et al.	
3,512,523	A	5/1970	Barnett	
3,696,810	A	10/1972	Gaylord, Jr.	
D235,699	S *	7/1975	Grant	2/459
3,916,884	A	11/1975	Attenburrow	
D263,625	S *	3/1982	McKnight	D24/191
4,401,111	A	8/1983	Blackstone	
4,819,622	A	4/1989	Taylor et al.	
D393,718	S *	4/1998	Traut	D24/191
5,785,670	A	7/1998	Hiebert	

D451,605	S *	12/2001	Snider	D24/190
D475,139	S *	5/2003	Myoga	D24/191
D553,298	S *	10/2007	Armentrout	D29/101.1
D563,602	S *	3/2008	Armentrout	D29/101.1
D627,893	S *	11/2010	Weiss	D24/191
D659,842	S *	5/2012	Donaldson	D24/191
D713,049	S *	9/2014	Shah	D24/200
D713,535	S *	9/2014	Chiang	D24/191
D716,957	S *	11/2014	Chiang	D24/191
D728,806	S *	5/2015	Cox	D24/190
D765,918	S *	9/2016	Floyd, Jr.	D2/892
2001/0008955	A1 *	7/2001	Garth	A61F 5/028 602/19

\* cited by examiner

*Primary Examiner* — George D Kirschbaum

*Assistant Examiner* — Jennifer Watkins

(74) *Attorney, Agent, or Firm* — Klarquist Sparkman,  
LLP

(57) **CLAIM**

I claim the ornamental design for a cervical collar, as shown and described.

**DESCRIPTION**

FIG. 1 is a front view of a cervical collar;

FIG. 2 is a rear view thereof;

FIG. 3 is a left side view thereof;

FIG. 4 is a right side view thereof;

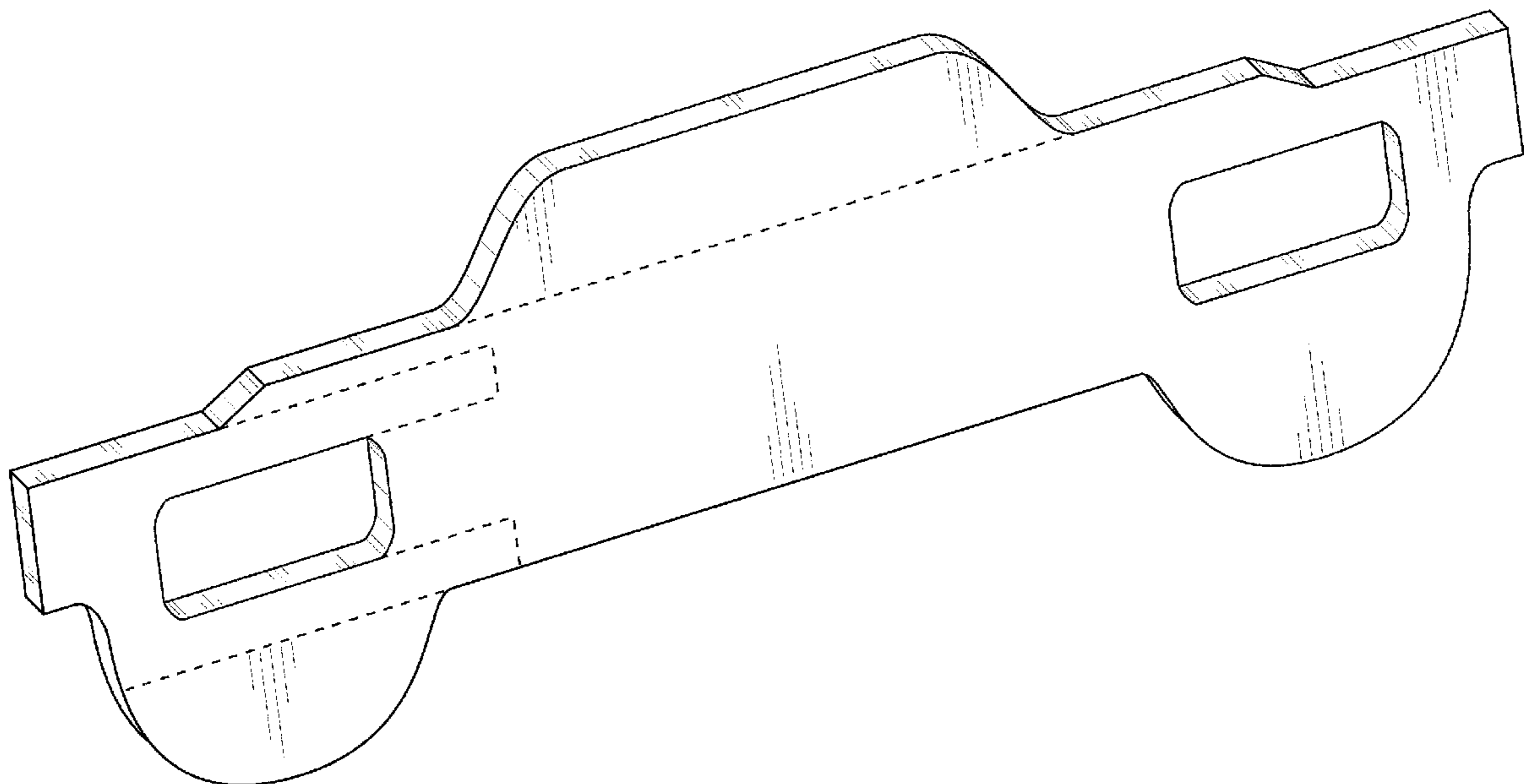
FIG. 5 is a top view thereof;

FIG. 6 is a bottom view thereof; and,

FIG. 7 is a front perspective view thereof.

The broken lines in the figures are for the purpose of illustrating portions of a cervical collar and form no part of the claim.

**1 Claim, 5 Drawing Sheets**



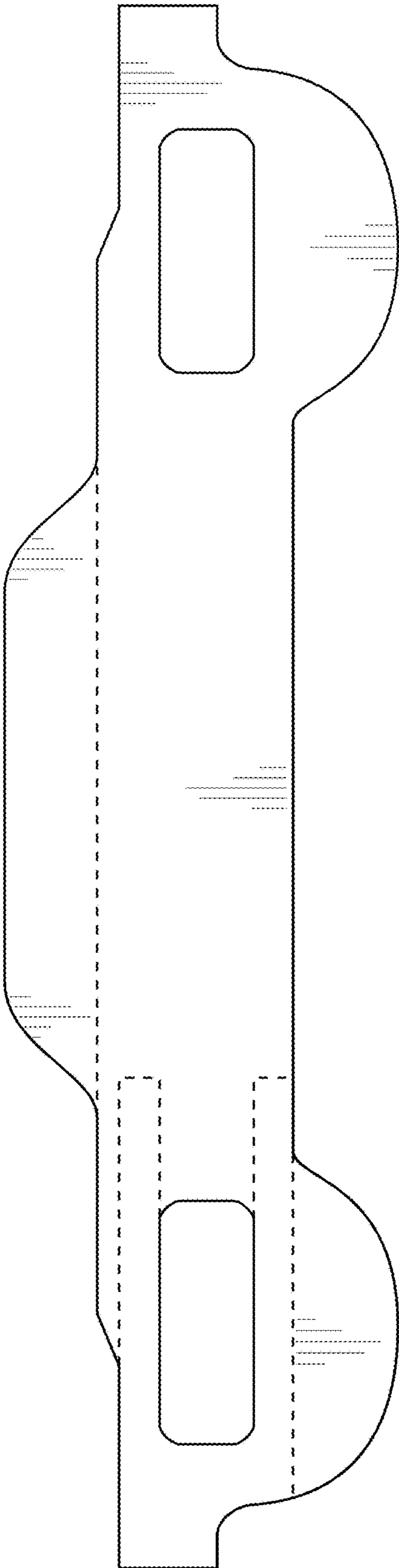


FIG. 1

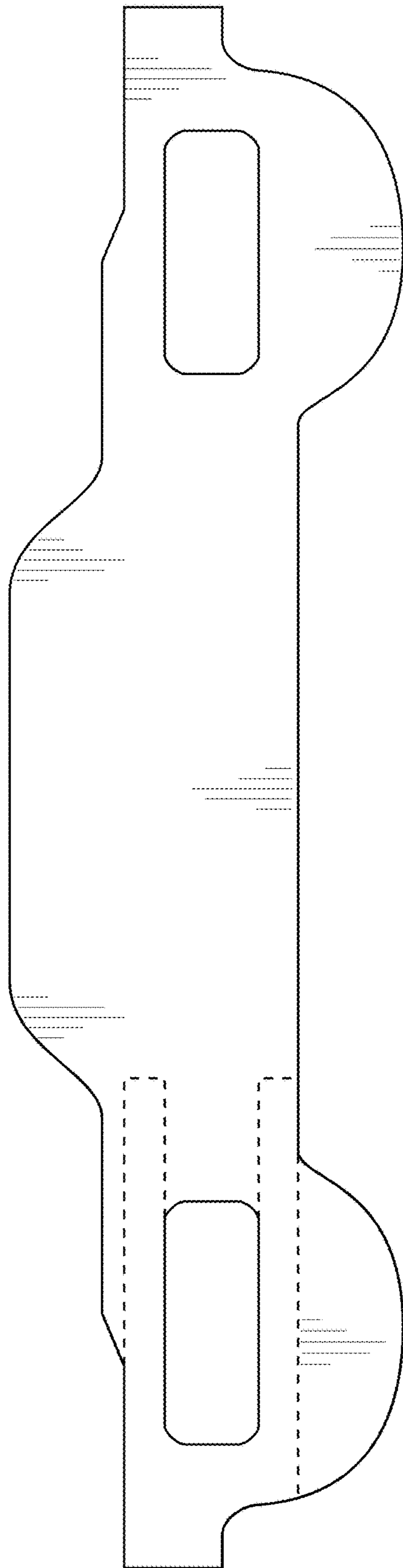


FIG. 2

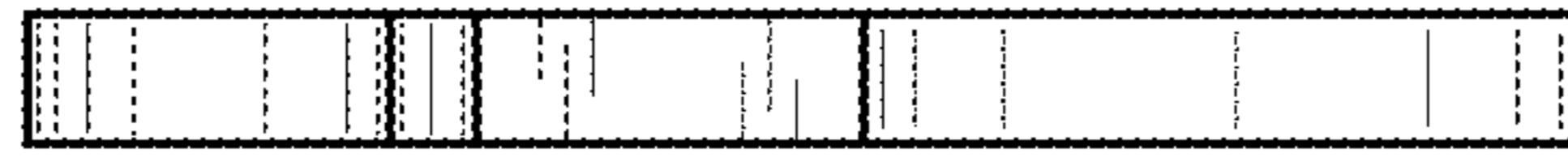


FIG. 4



FIG. 3



FIG. 5

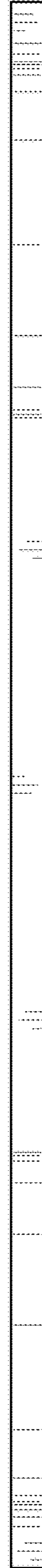


FIG. 6

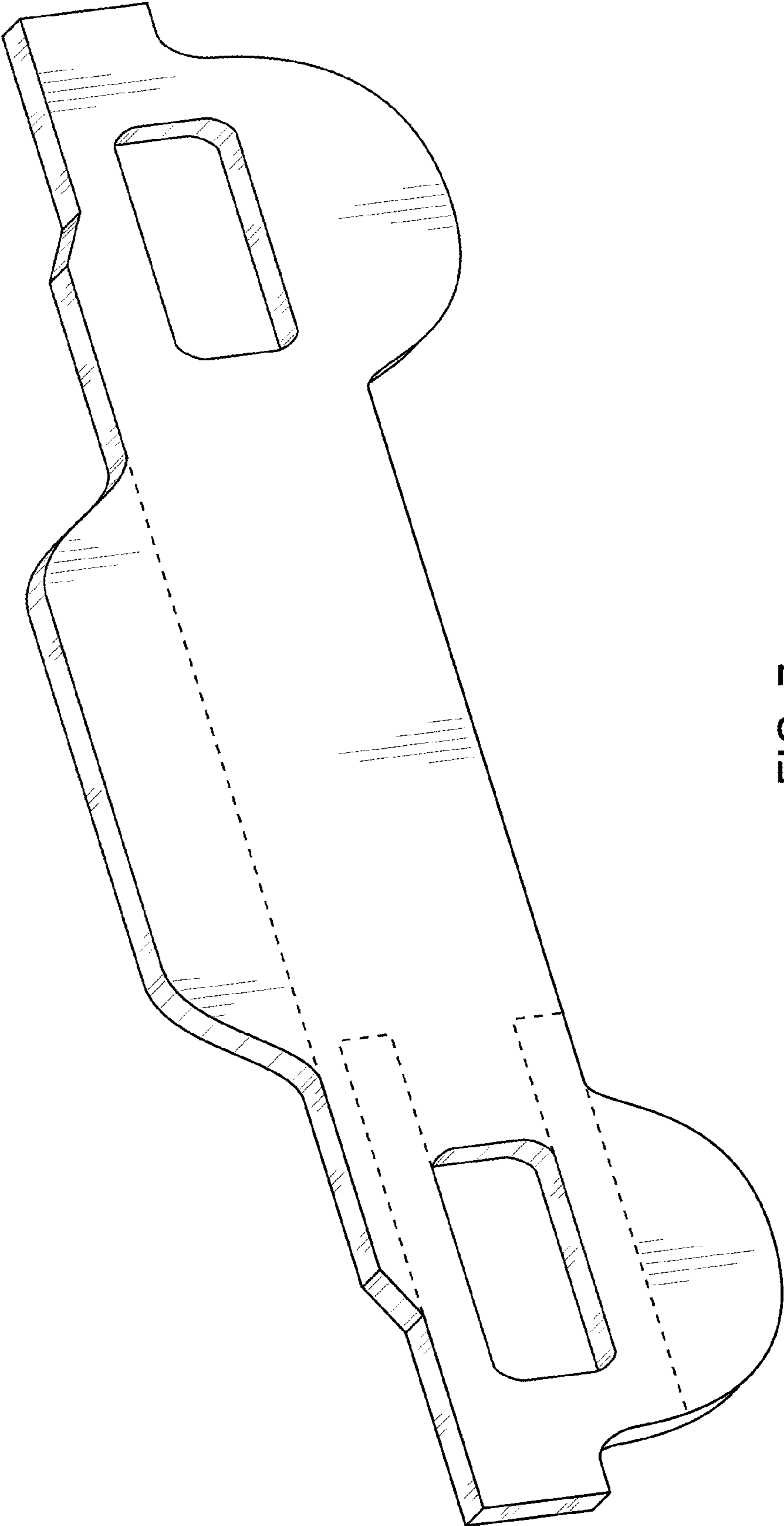


FIG. 7