



US00D790070S

(12) **United States Design Patent** (10) **Patent No.:** **US D790,070 S**
Acosta et al. (45) **Date of Patent:** **** Jun. 20, 2017**

- (54) **PUMP FOR USE WITH COMPRESSION GARMENTS**
- (71) Applicant: **Huntleigh Technology Limited**, Dunstable, Bedfordshire (GB)
- (72) Inventors: **Julie Acosta**, Dunstable (GB); **Bruce McNeil**, Dunstable (GB); **Kenneth Mitchel Knowles**, Dunstable (GB); **X.Lu Zheng**, Dunstable (GB); **Clive Goodfield**, Dunstable (GB); **Robert Hibberdine**, Dunstable (GB); **Urban Orrell**, Dunstable (GB)
- (73) Assignee: **Huntleigh Technology Limited**, Dunstable (GB)
- (**) Term: **14 Years**
- (21) Appl. No.: **29/518,106**
- (22) Filed: **Feb. 19, 2015**
- (51) **LOC (10) Cl.** **24-04**
- (52) **U.S. Cl.**
USPC **D24/188**
- (58) **Field of Classification Search**
USPC D24/111, 188, 192, 107
CPC A61F 5/0111; A61H 9/0078; A61H 1/008
See application file for complete search history.

- D630,727 S * 1/2011 Petrovic D24/111
D643,537 S * 8/2011 Lee D24/192
8,162,861 B2 * 4/2012 Avitable A61H 9/0078
601/151
D669,575 S * 10/2012 Ebert D24/108
D674,083 S * 1/2013 Boaz D24/111
D677,784 S * 3/2013 Marguerie D24/111
D723,157 S * 2/2015 Clemente D24/111
2011/0077566 A1 * 3/2011 Ganapathy A61F 5/0111
602/13
2011/0201981 A1 * 8/2011 Deshpande A61H 9/0078
601/150

(Continued)

OTHER PUBLICATIONS

Arjohuntleigh Getinge Group, "Flowtron: DVT Prevention System," 2011, two pages.

Primary Examiner — Michael A. Pratt

Assistant Examiner — Michelle E Wilson

(74) Attorney, Agent, or Firm — The Webb Law Firm

(57) **CLAIM**

The ornamental design for a pump for use with compression garments, as shown and described.

DESCRIPTION

FIG. 1 is a perspective view of a pump for use with compression garments, according to a first embodiment;
FIG. 2 is a front view thereof;
FIG. 3 is a back view thereof;
FIG. 4 is a left side view thereof;
FIG. 5 is a right side view thereof;
FIG. 6 is a top view thereof; and,
FIG. 7 is a bottom view thereof.

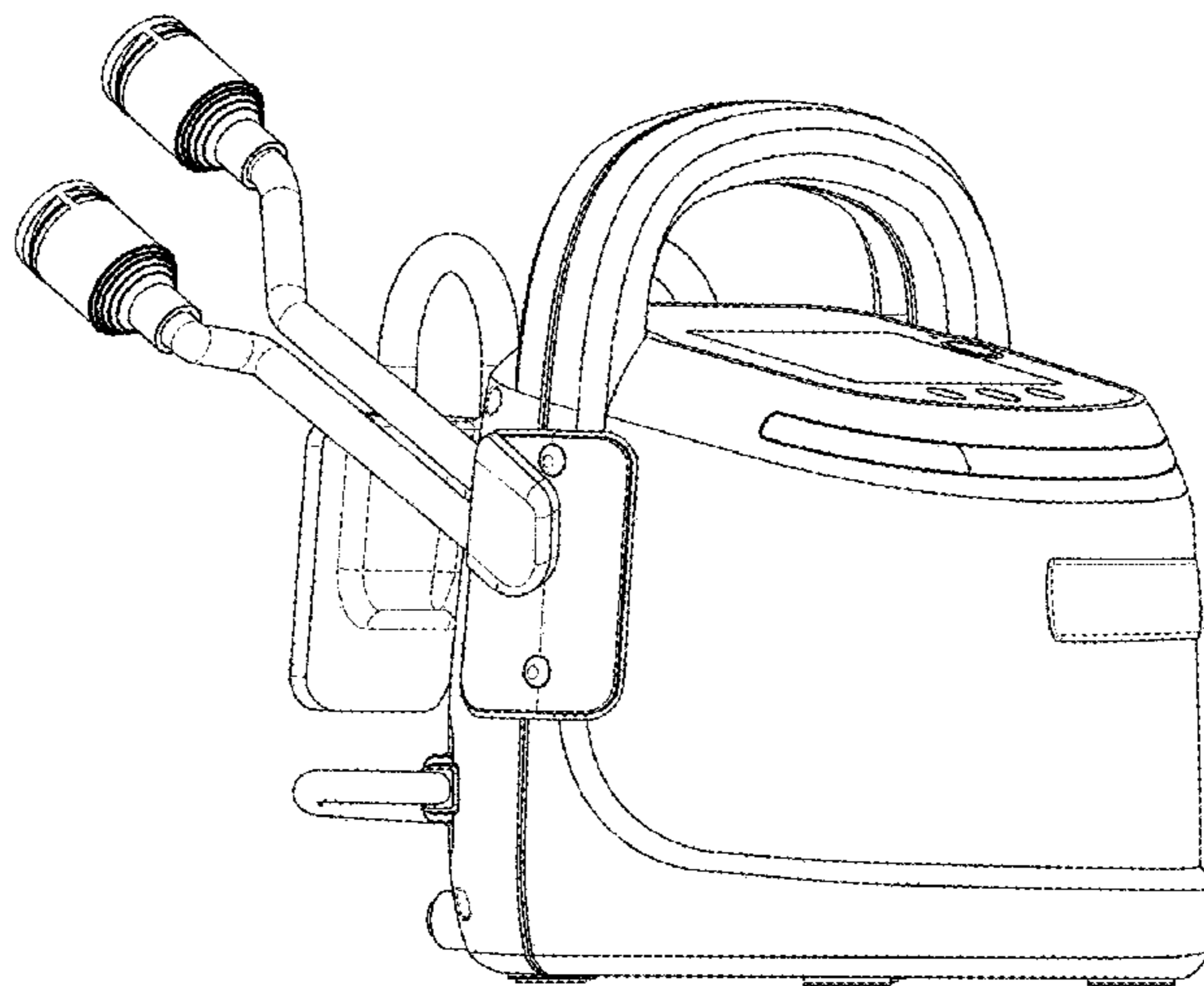
The broken lines in the drawings showing portions of the pump for use with compression garments are included for the purpose of illustrating environmental structure and form no part of the claimed design.

1 Claim, 7 Drawing Sheets

(56) **References Cited**

U.S. PATENT DOCUMENTS

- 5,277,695 A * 1/1994 Johnson, Jr. A61F 5/0111
128/DIG. 20
D471,274 S * 3/2003 Diaz D24/111
D515,205 S * 2/2006 Fathalla D24/111
D523,147 S * 6/2006 Tesluk D24/169
7,282,038 B2 * 10/2007 Gillis A61H 9/0078
601/148
D574,953 S * 8/2008 Boaz D24/111
D586,463 S * 2/2009 Evans D24/111
D587,364 S * 2/2009 Pukall D24/108



(56)

References Cited

U.S. PATENT DOCUMENTS

2014/0276283	A1 *	9/2014	Mansur, Jr.	A61H 9/0078 601/150
2014/0276284	A1 *	9/2014	Mansur, Jr.	A61H 9/0078 601/151
2014/0276285	A1 *	9/2014	Mansur, Jr.	A61H 9/0078 601/151
2014/0276290	A1 *	9/2014	Mansur, Jr.	A61H 9/0078 601/152
2014/0276291	A1 *	9/2014	Mansur, Jr.	A61H 9/0078 601/152
2015/0094629	A1 *	4/2015	Crowley	A61H 9/0078 601/149
2015/0231022	A1 *	8/2015	Shaltis	A61H 9/0078 601/149
2015/0374571	A1 *	12/2015	Denson	A61H 1/008 601/150
2016/0058654	A1 *	3/2016	Denson	A61H 9/0078 601/150

* cited by examiner

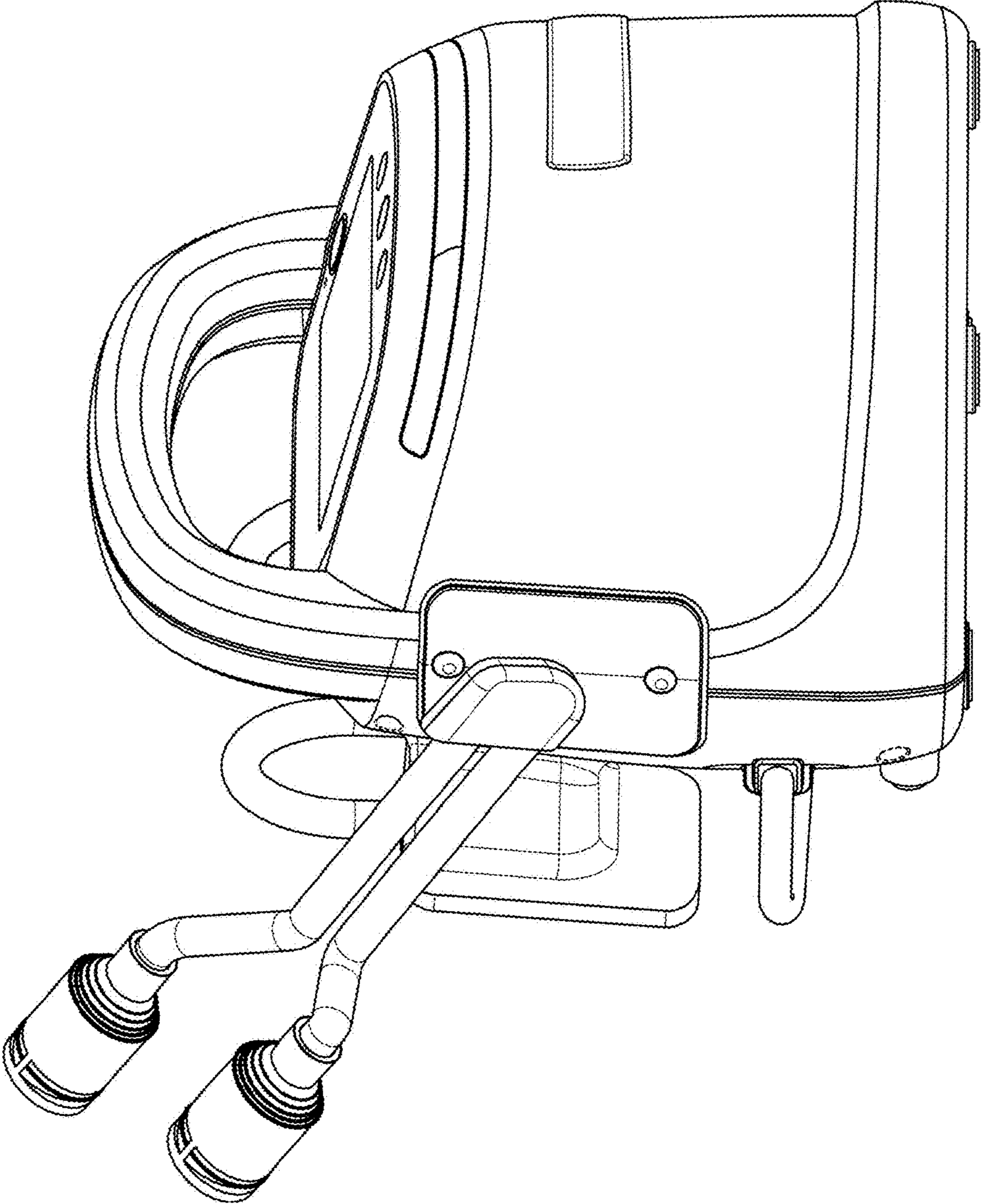


FIG. 1

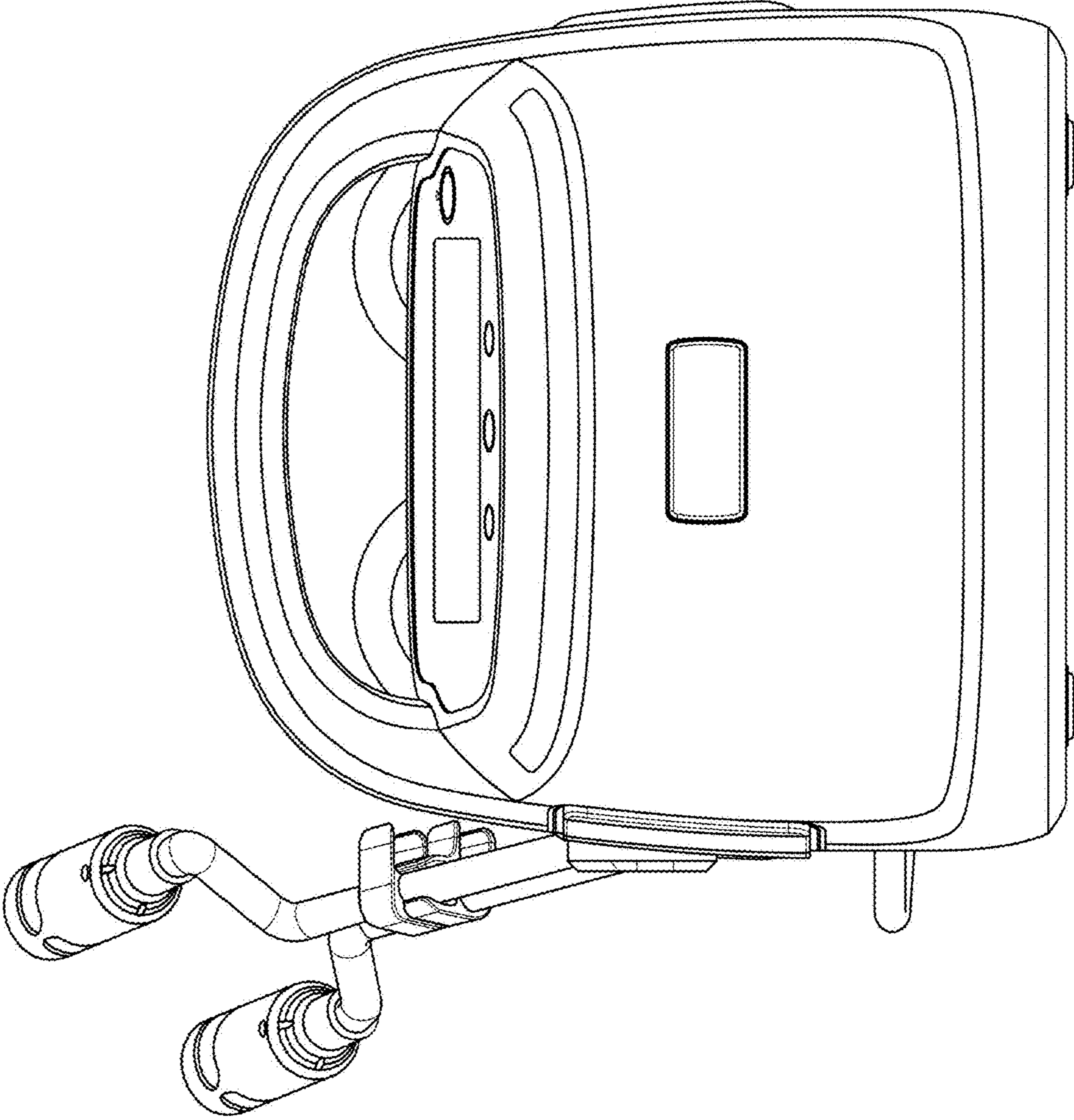


FIG. 2

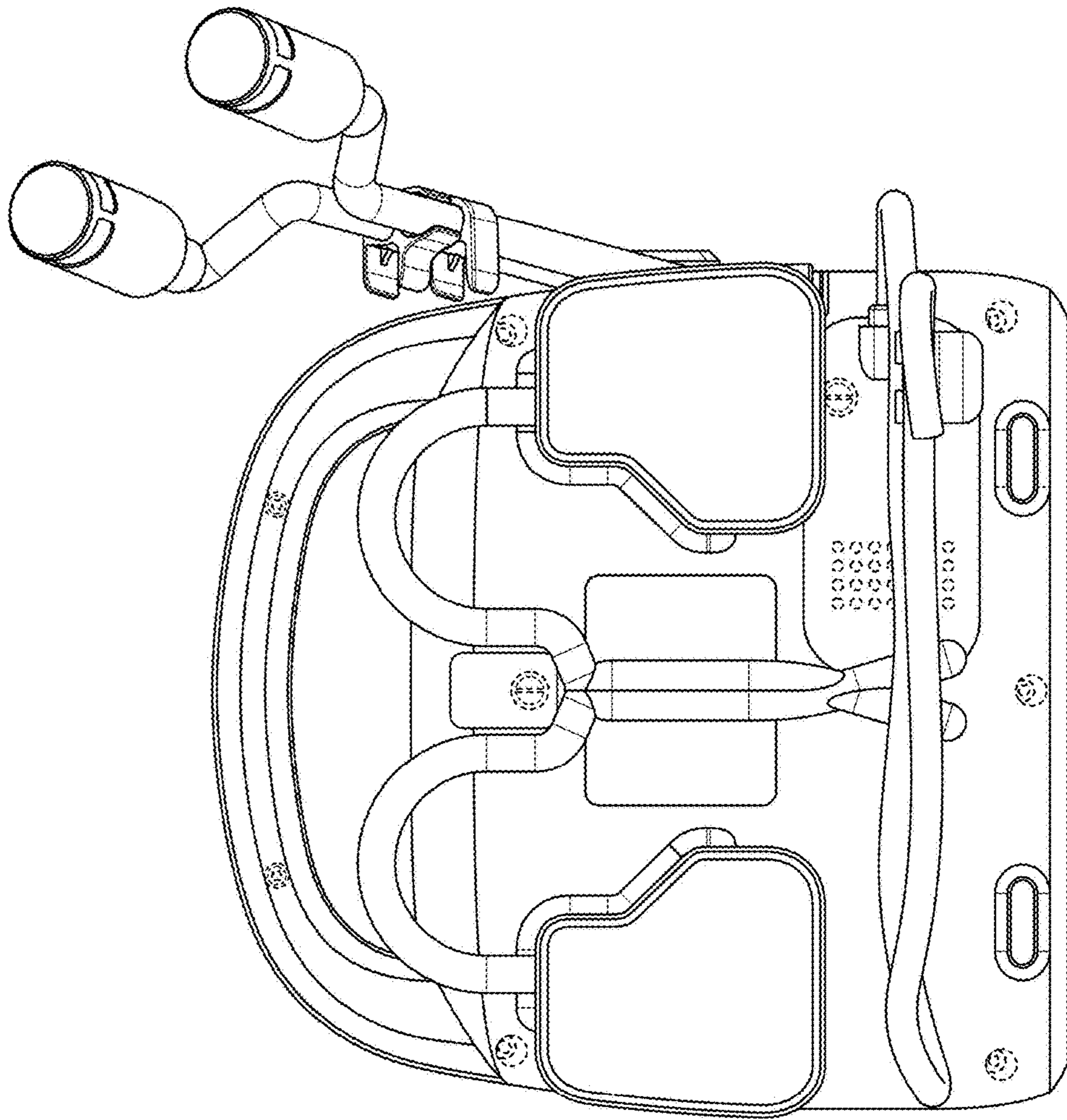


FIG. 3

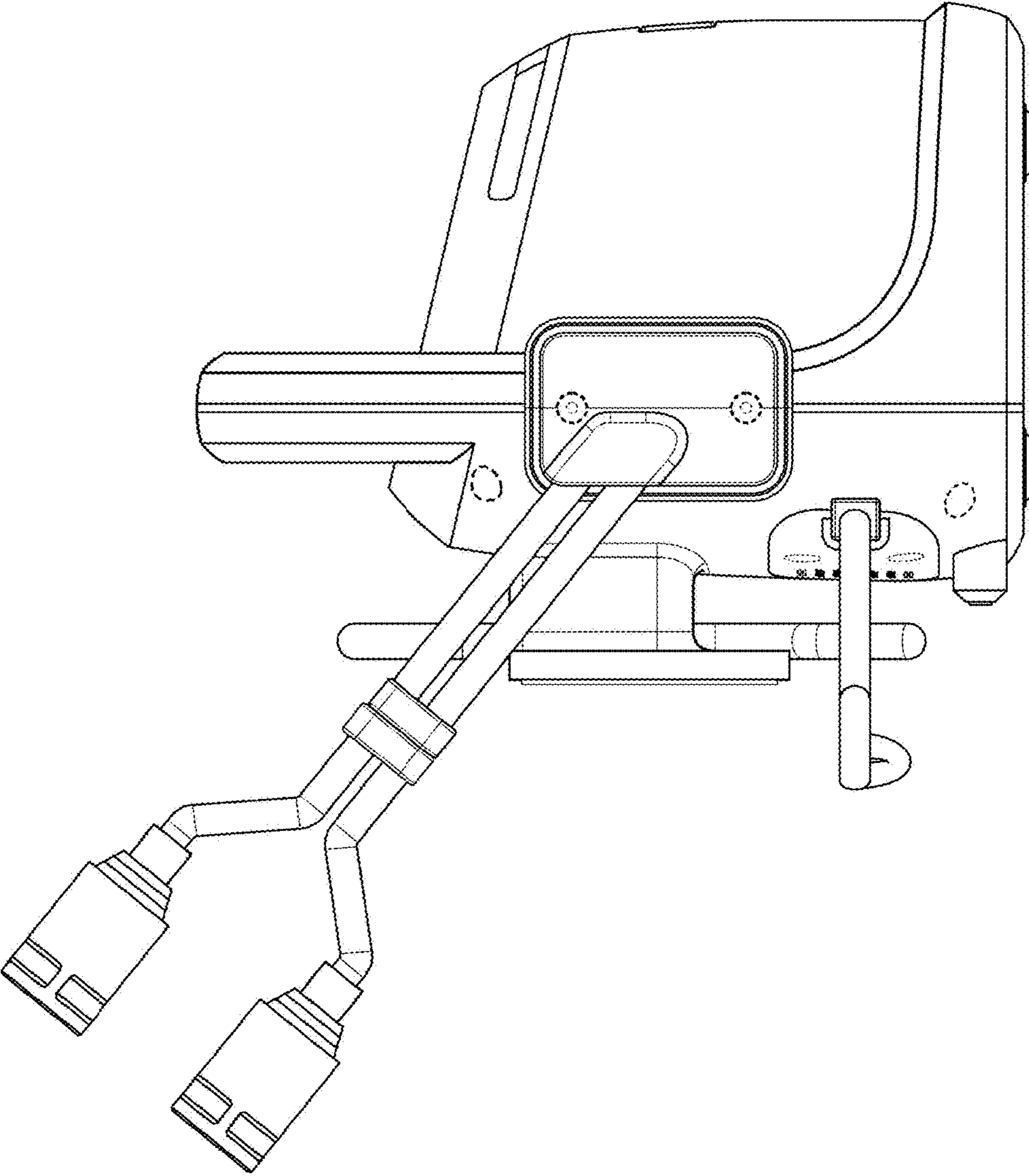


FIG. 4

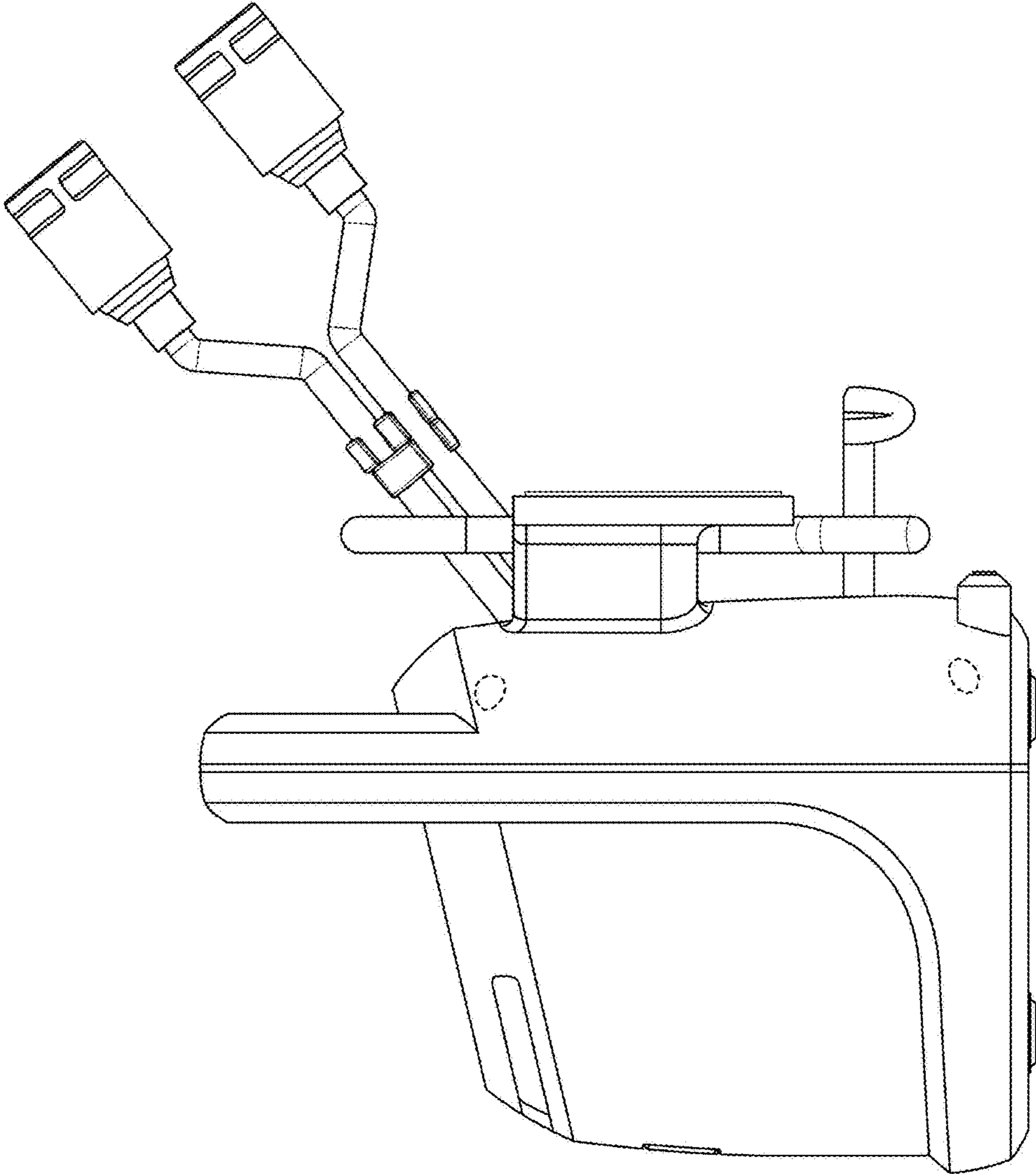


FIG. 5

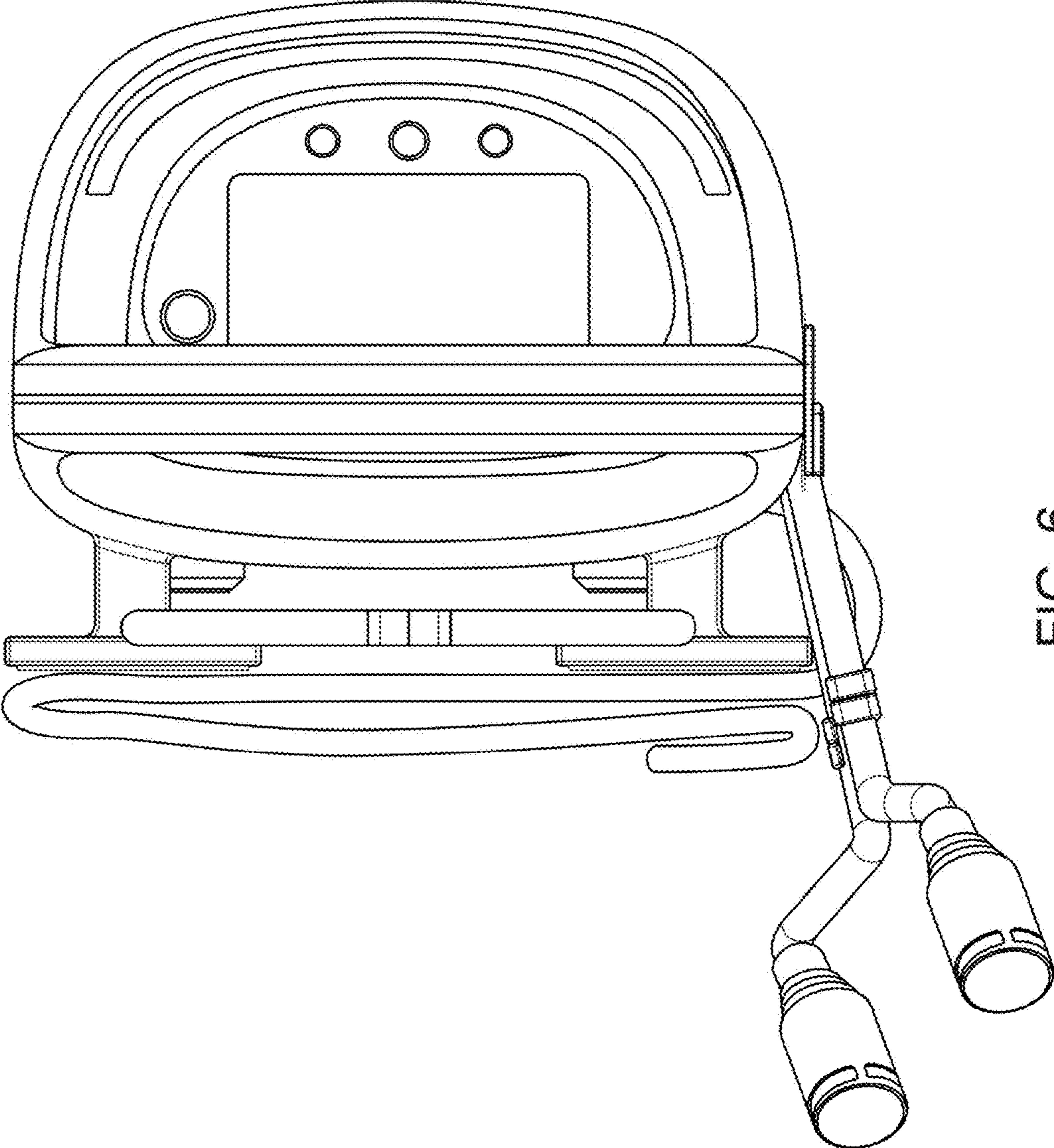


FIG. 6

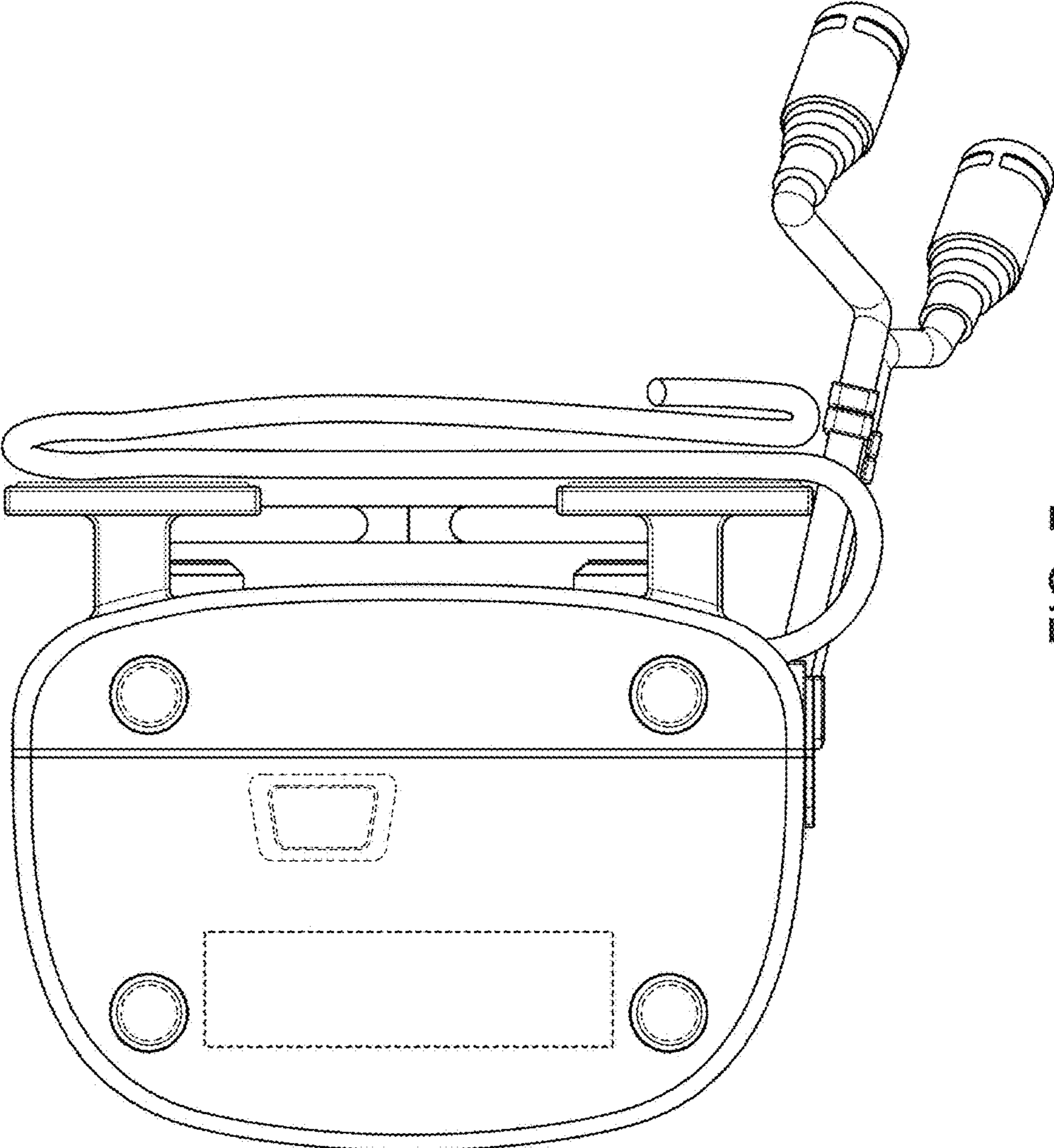


FIG. 7