



US00D790068S

(12) **United States Design Patent** (10) **Patent No.:** **US D790,068 S**
Lehtonen (45) **Date of Patent:** **** Jun. 20, 2017**

(54) **ORAL APPLIANCE**
 (71) Applicant: **LM-INSTRUMENTS OY**, Parainen (FI)
 (72) Inventor: **Kari Lehtonen**, Parainen (FI)
 (73) Assignee: **LM-Instruments Oy**, Parainen (FI)
 (**) Term: **15 Years**

(21) Appl. No.: **35/500,185**
 (22) Filed: **Sep. 25, 2015**

(80) **Hague Agreement Data**
 Int. Filing Date: **Sep. 25, 2015**
 Int. Reg. No.: **DM/087671**
 Int. Reg. Date: **Sep. 25, 2015**
 Int. Reg. Pub. Date: **Oct. 9, 2015**

(51) **LOC (10) Cl.** **24-00**
 (52) **U.S. Cl.**
 USPC **D24/180**

(58) **Field of Classification Search**
 USPC D24/18, 231; 128/862
 CPC A61C 7/00
 See application file for complete search history.

(56) **References Cited**
 U.S. PATENT DOCUMENTS

3,334,417 A * 8/1967 Spengeman A61C 7/00
 128/862
 D304,370 S * 10/1989 Bowbeer D24/180
 D323,215 S * 1/1992 Bergersen D24/180
 D609,347 S * 2/2010 Farrell D24/180
 D638,129 S * 5/2011 Inman D24/180
 D639,439 S * 6/2011 Raad D24/180

D641,478 S * 7/2011 Belvedere D24/180
 D675,323 S * 1/2013 Spainhower D24/180
 D685,098 S * 6/2013 Tompkins D24/180
 D719,266 S * 12/2014 Goldstein D24/180
 D739,028 S * 9/2015 Stein D24/180
 D746,990 S * 1/2016 Goldstein D24/180
 D756,520 S * 5/2016 Raad D24/180
 D756,521 S * 5/2016 Raad D24/180
 D759,824 S * 6/2016 Luco D24/180

* cited by examiner

Primary Examiner — Rhea Shields
 (74) *Attorney, Agent, or Firm* — Fay Sharpe LLP

(57) **CLAIM**

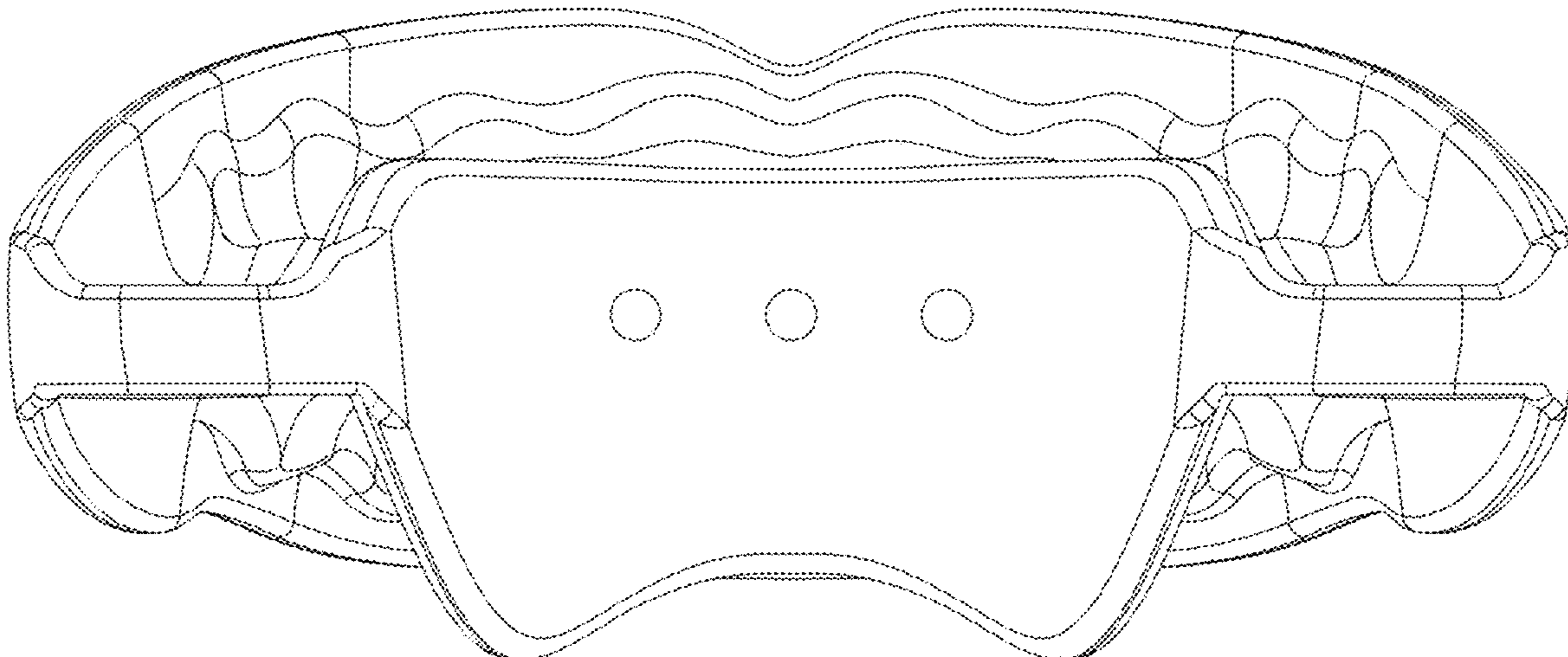
The ornamental design for a oral appliance, as shown and described.

DESCRIPTION

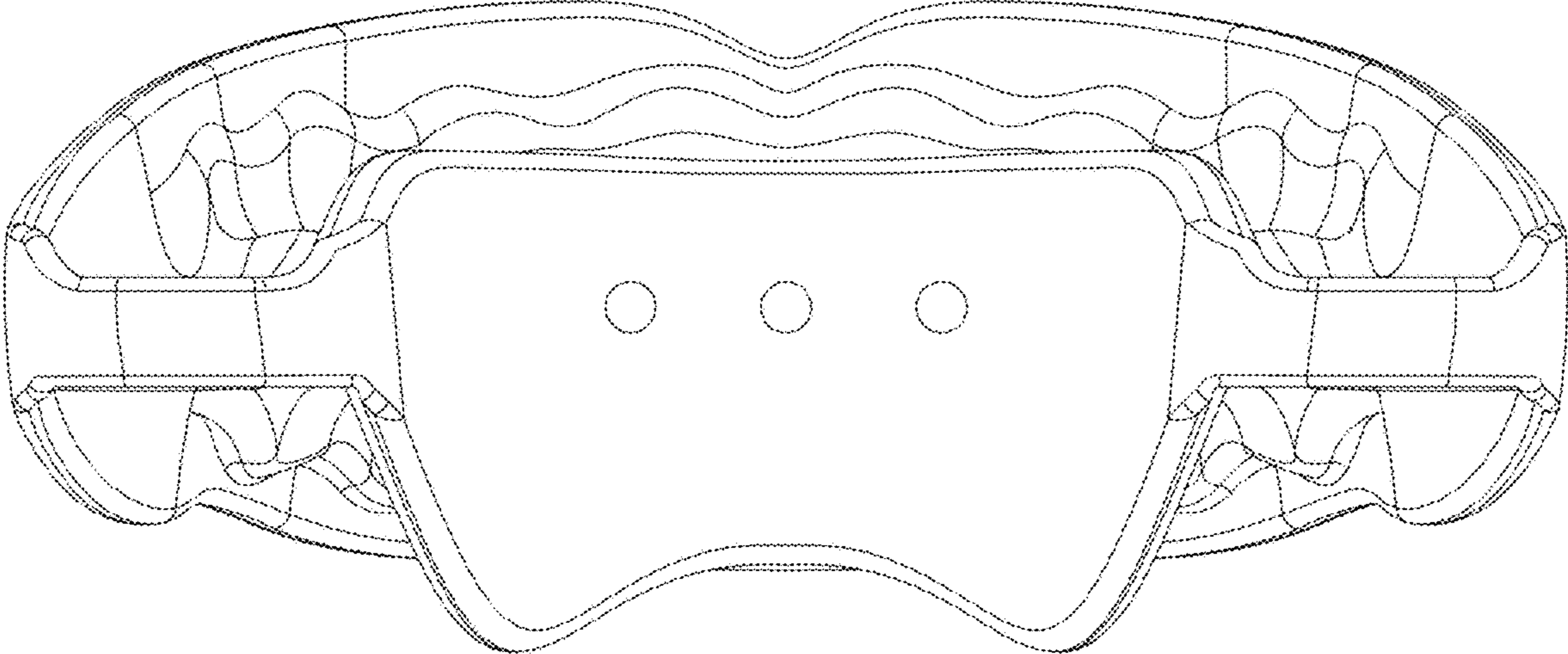
1.-2. Oral Appliance
 1.1 is a rear view;
 1.2 is a right side view;
 1.3 is a left side view;
 1.4 is a front view;
 1.5 is a top view;
 1.6 is bottom view; and
 1.7 is a perspective view.
 2.1 is a rear view;
 2.2 is a right side view;
 2.3 is a left side view;
 2.4 is a front view;
 2.5 is a top view;
 2.6 is bottom view; and
 2.7 is a perspective view.

In the drawings, the broken lines are for the purpose of illustrating environment only and form no part of the claimed design.

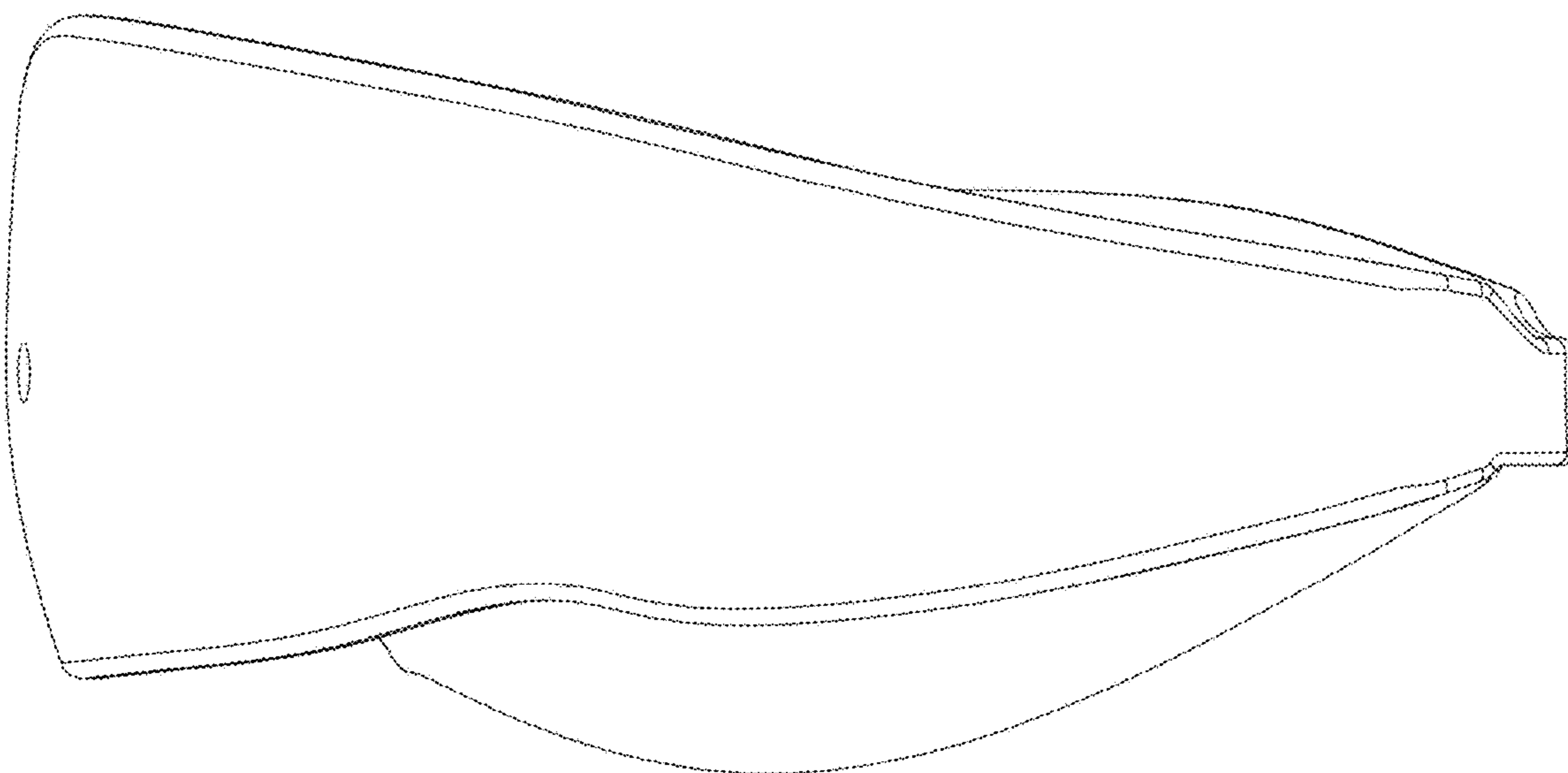
1 Claim, 14 Drawing Sheets



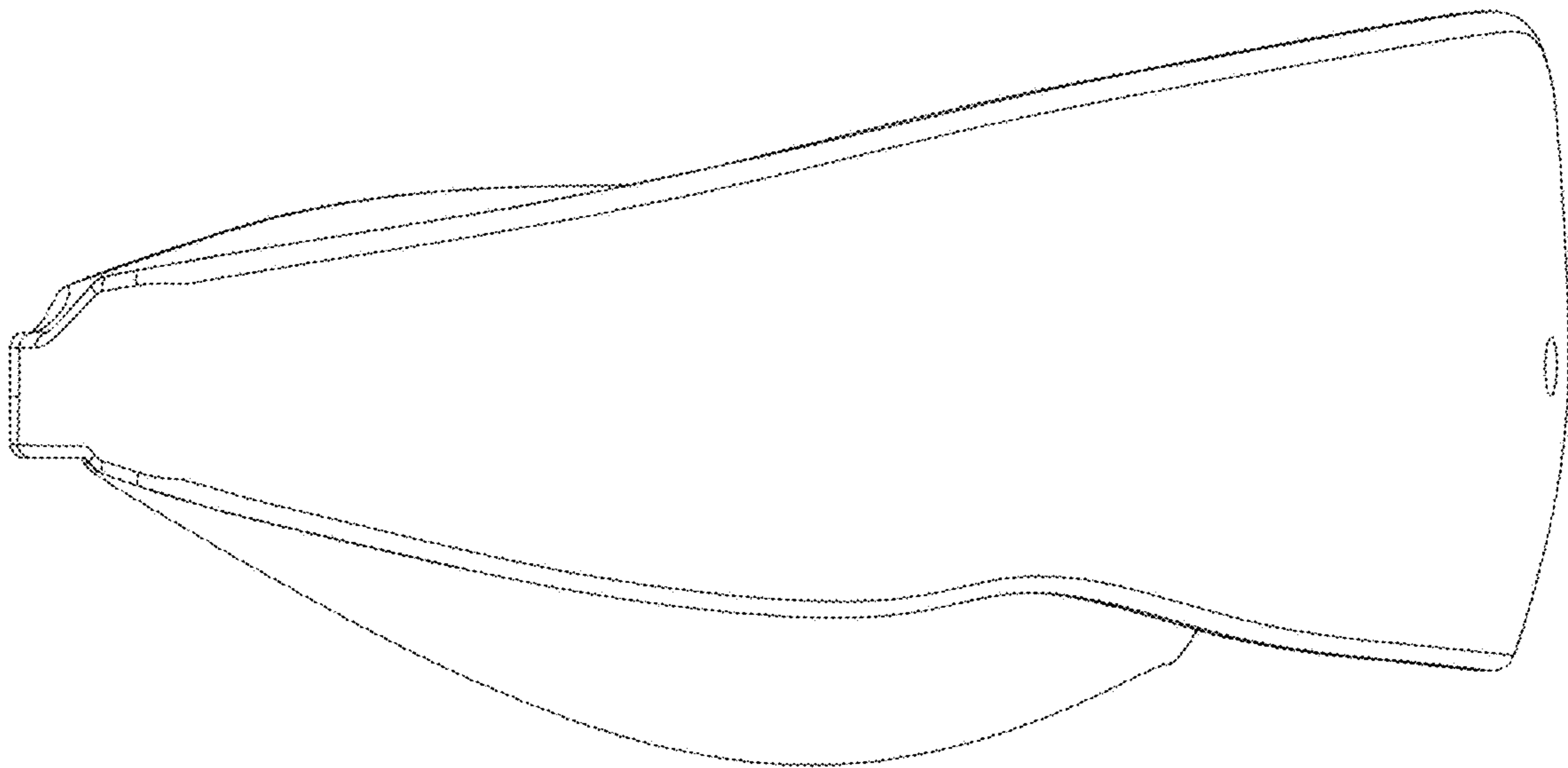
1.1



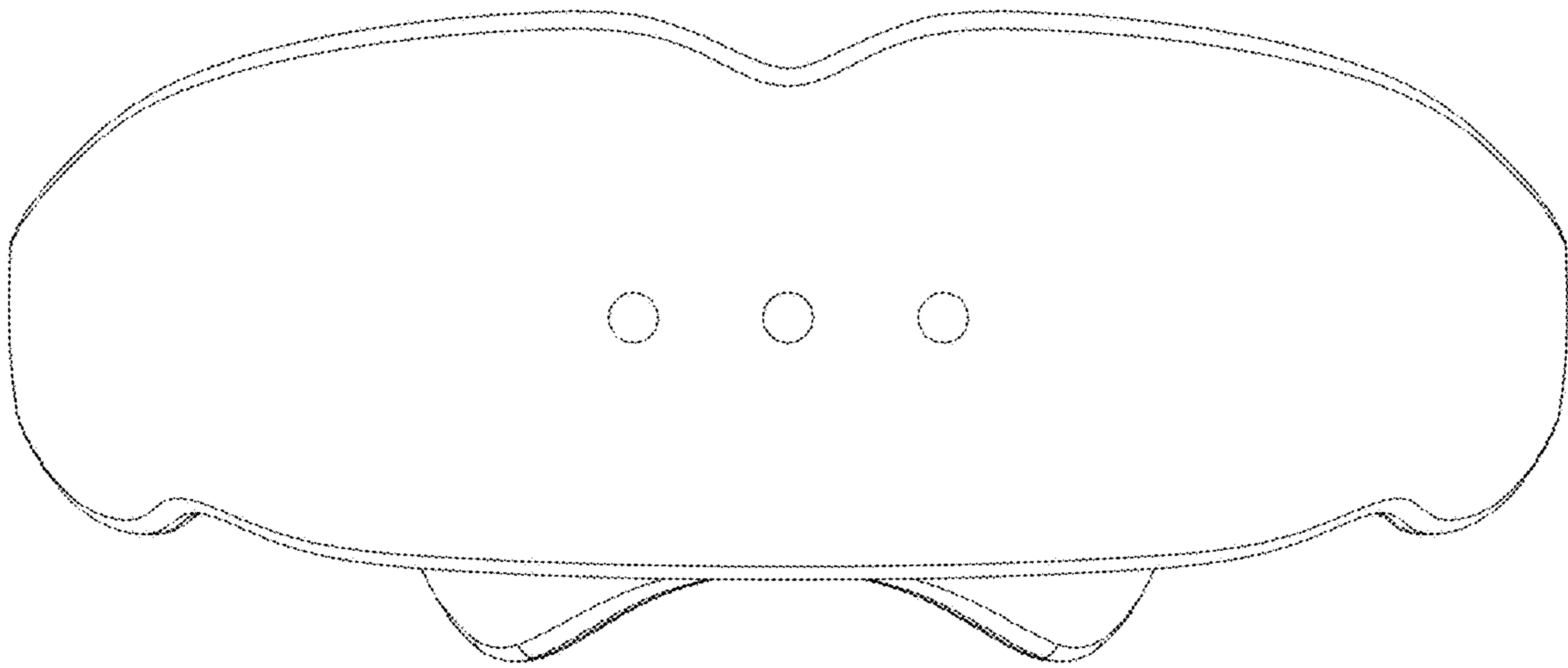
1.2



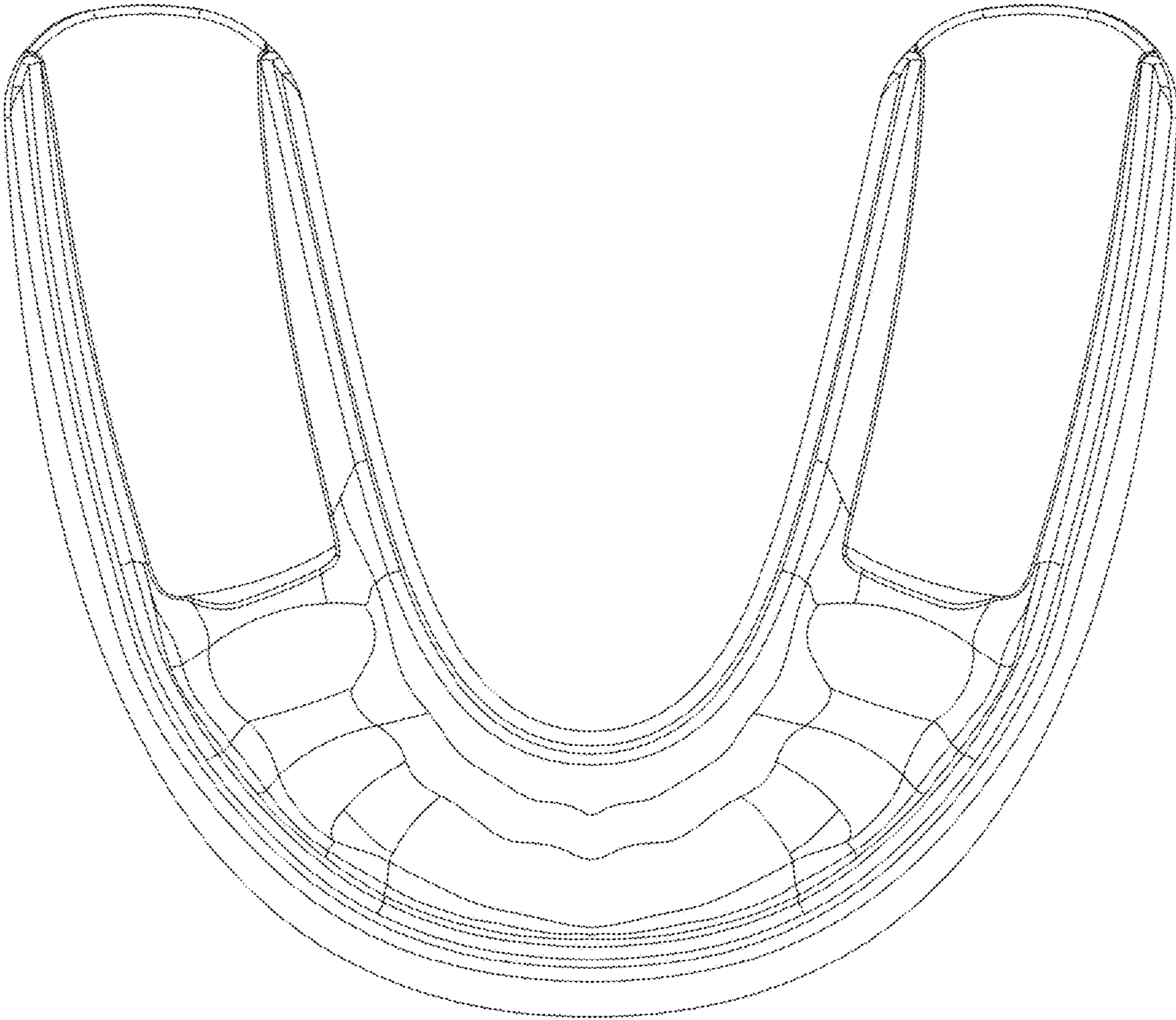
1.3



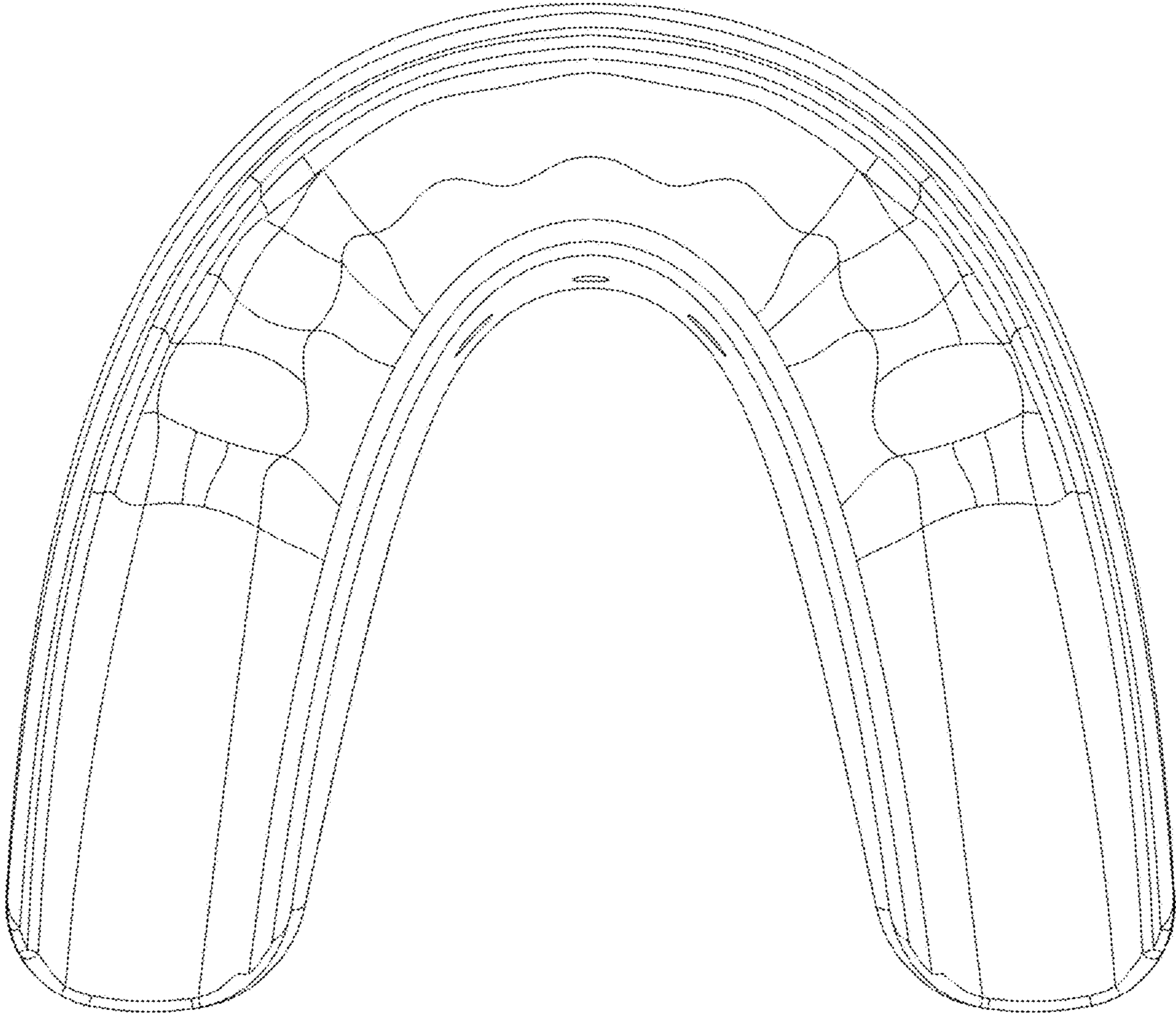
1.4



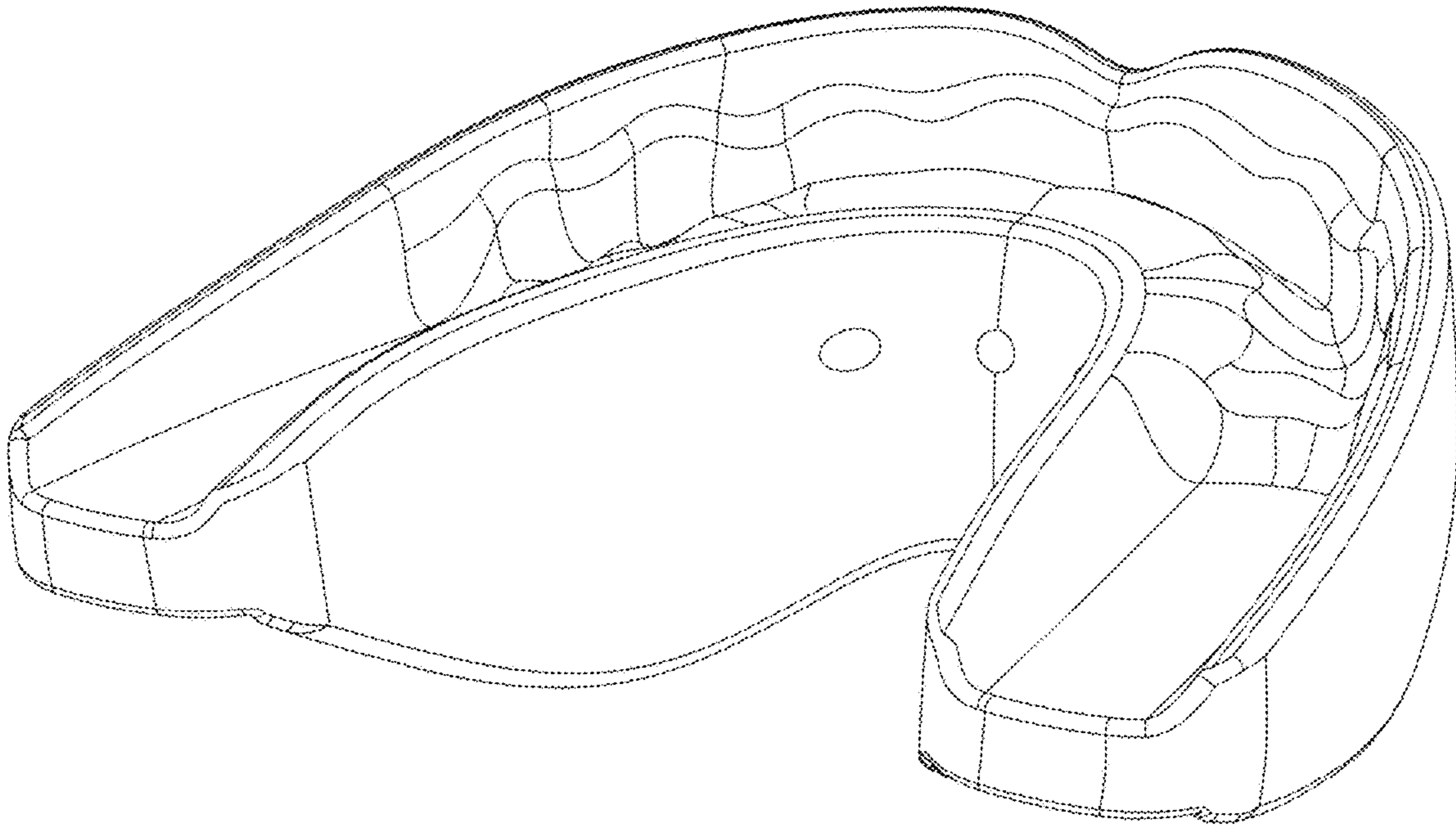
1.5



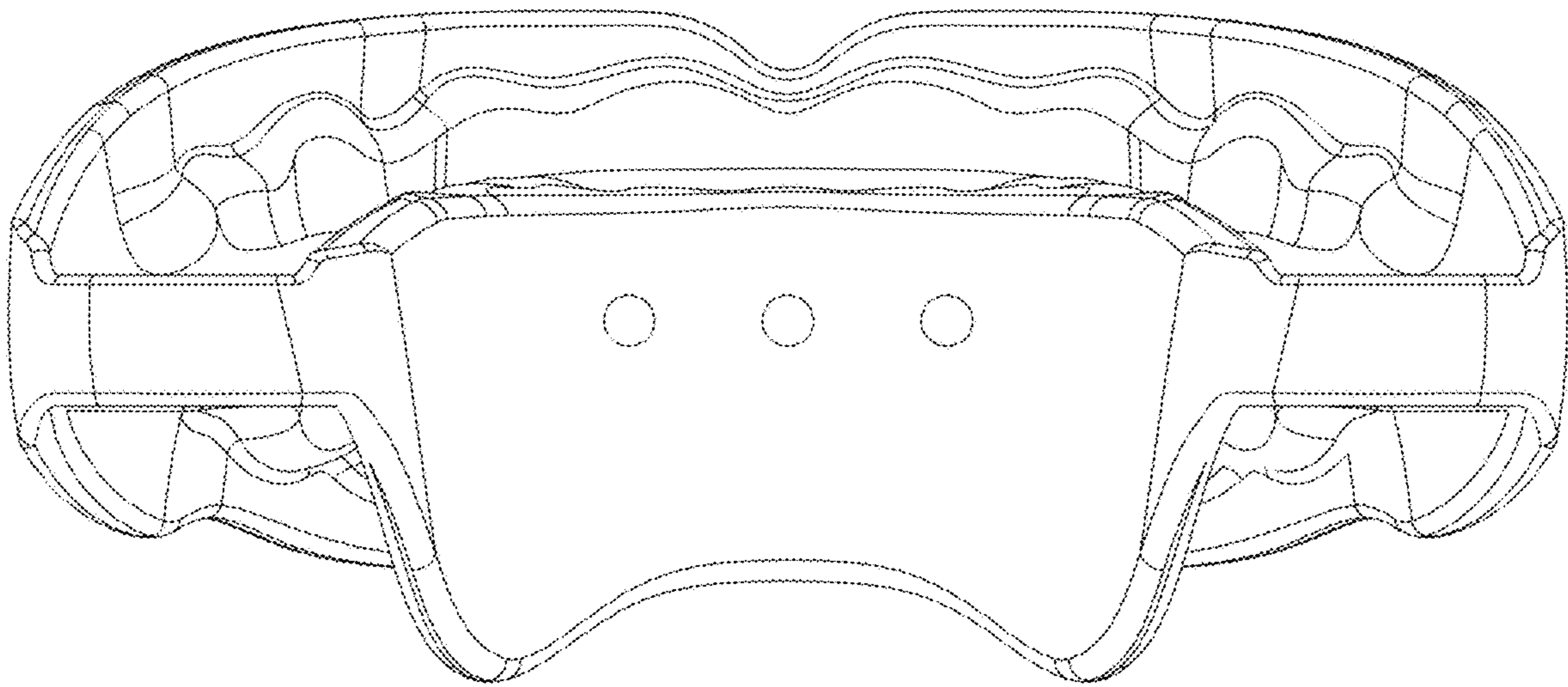
1.6



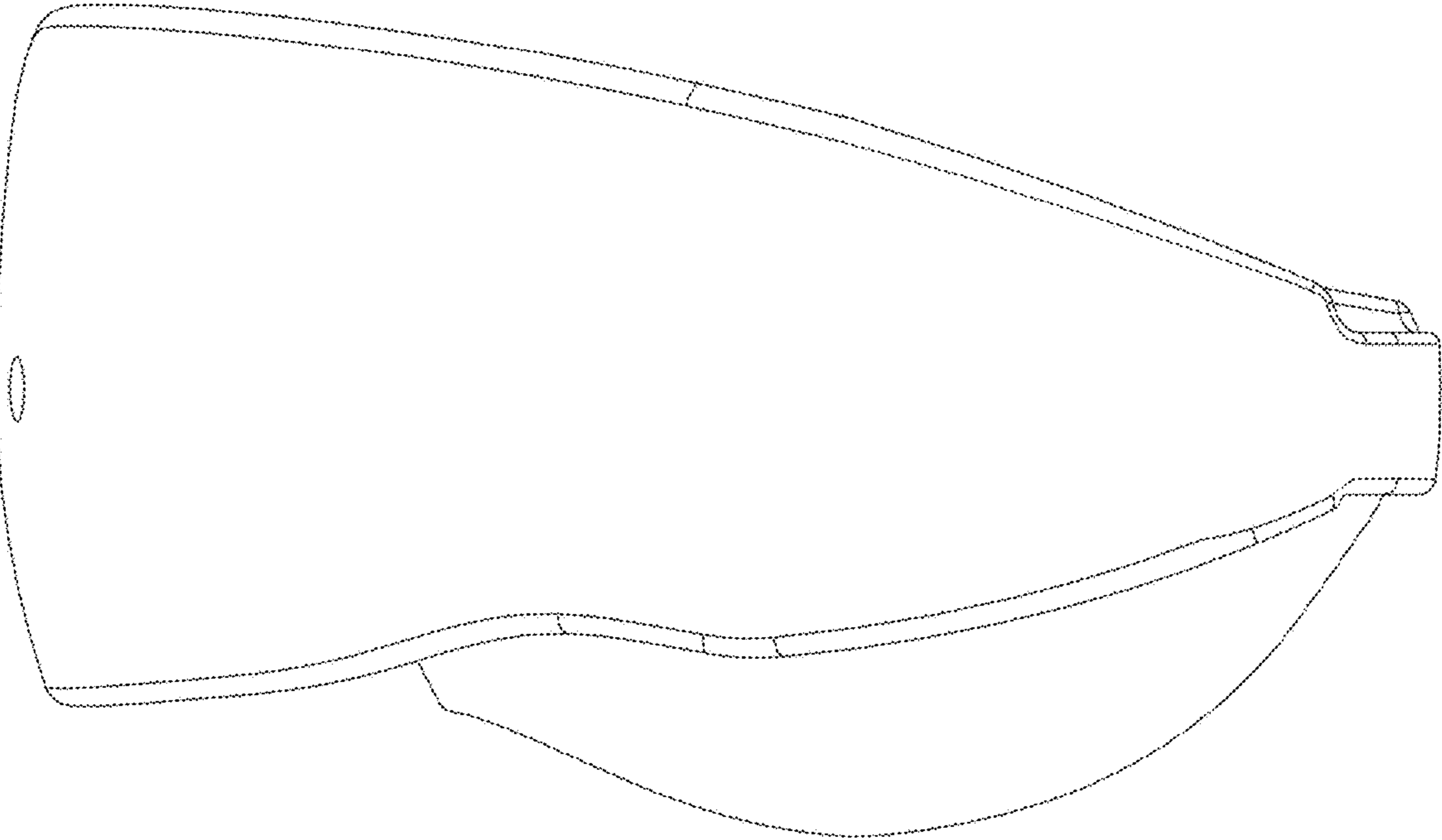
1.7



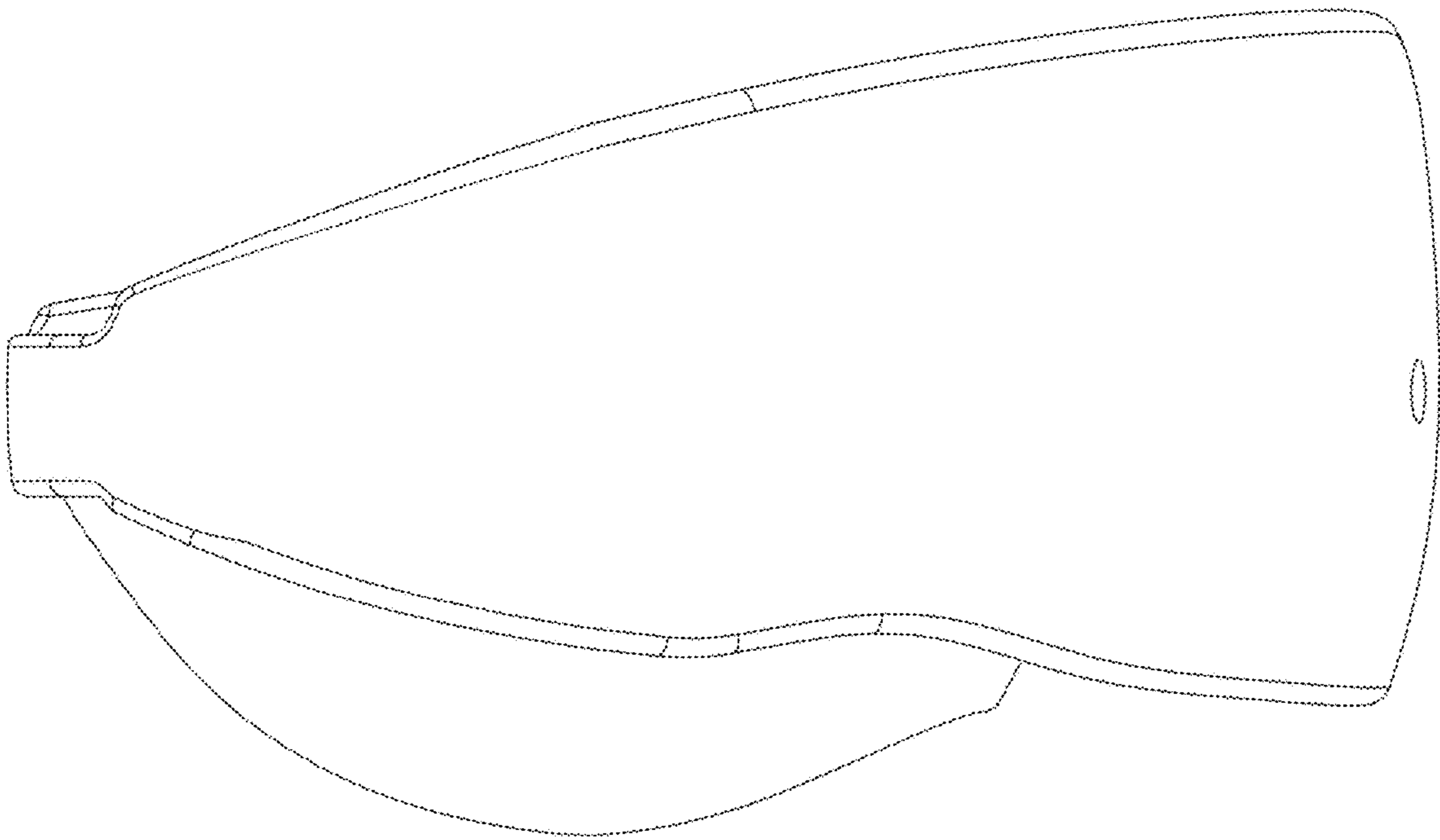
2.1



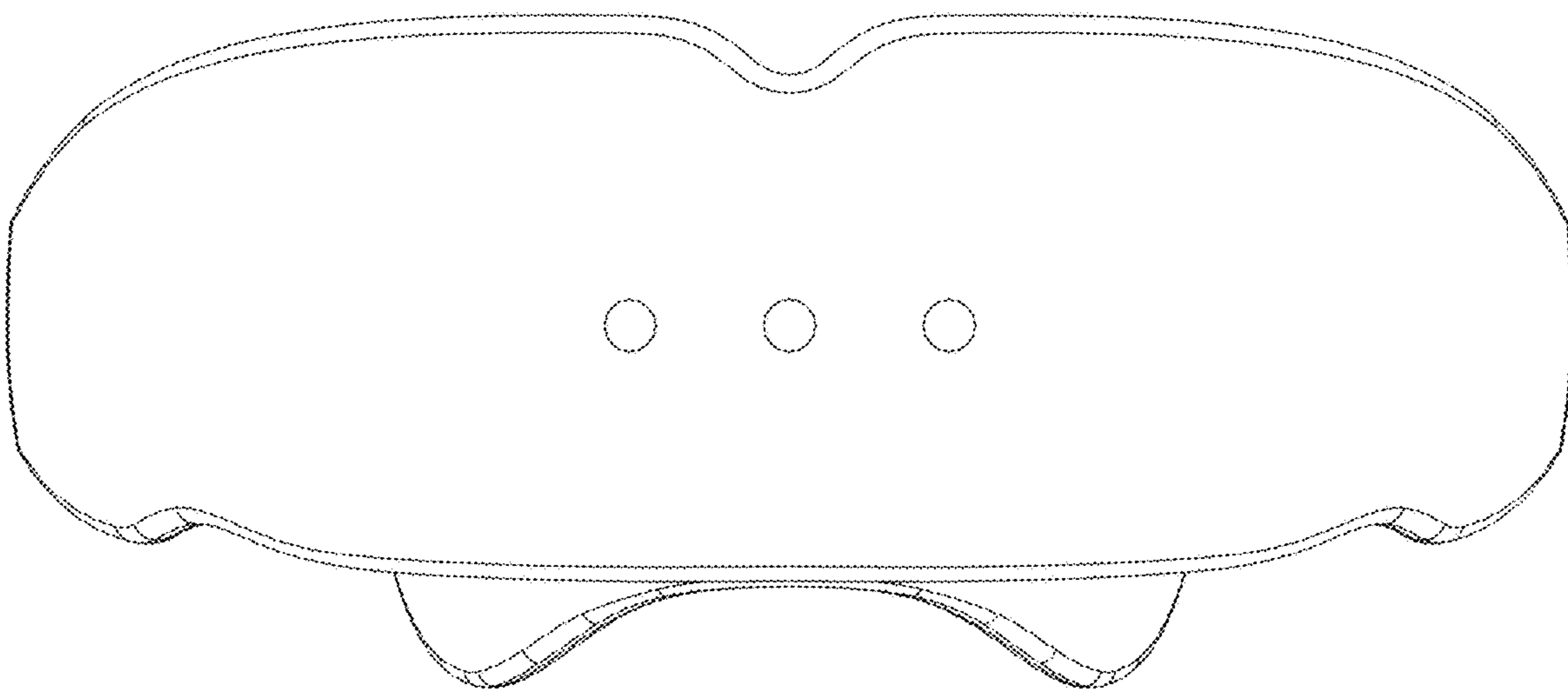
2.2



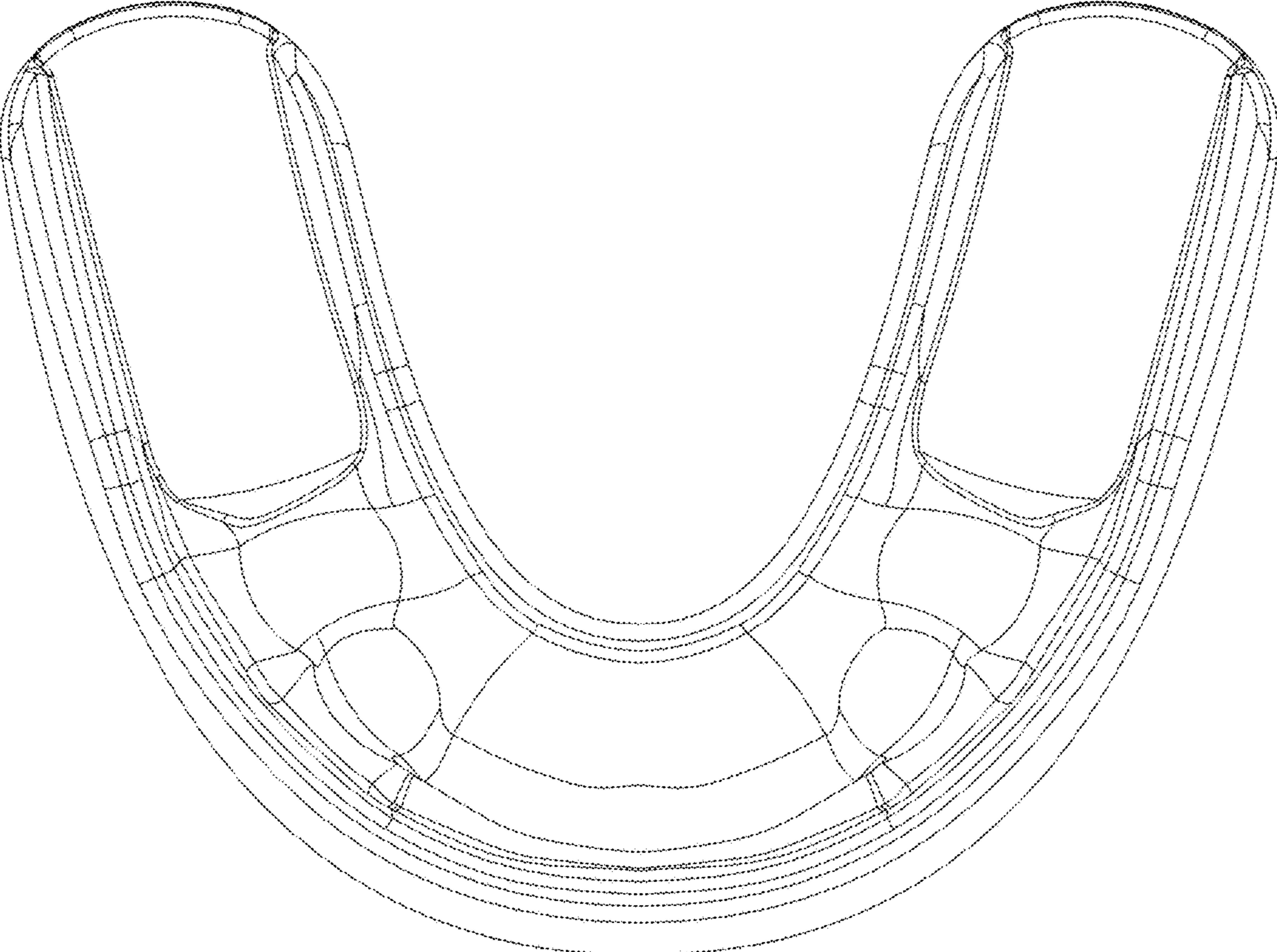
2.3



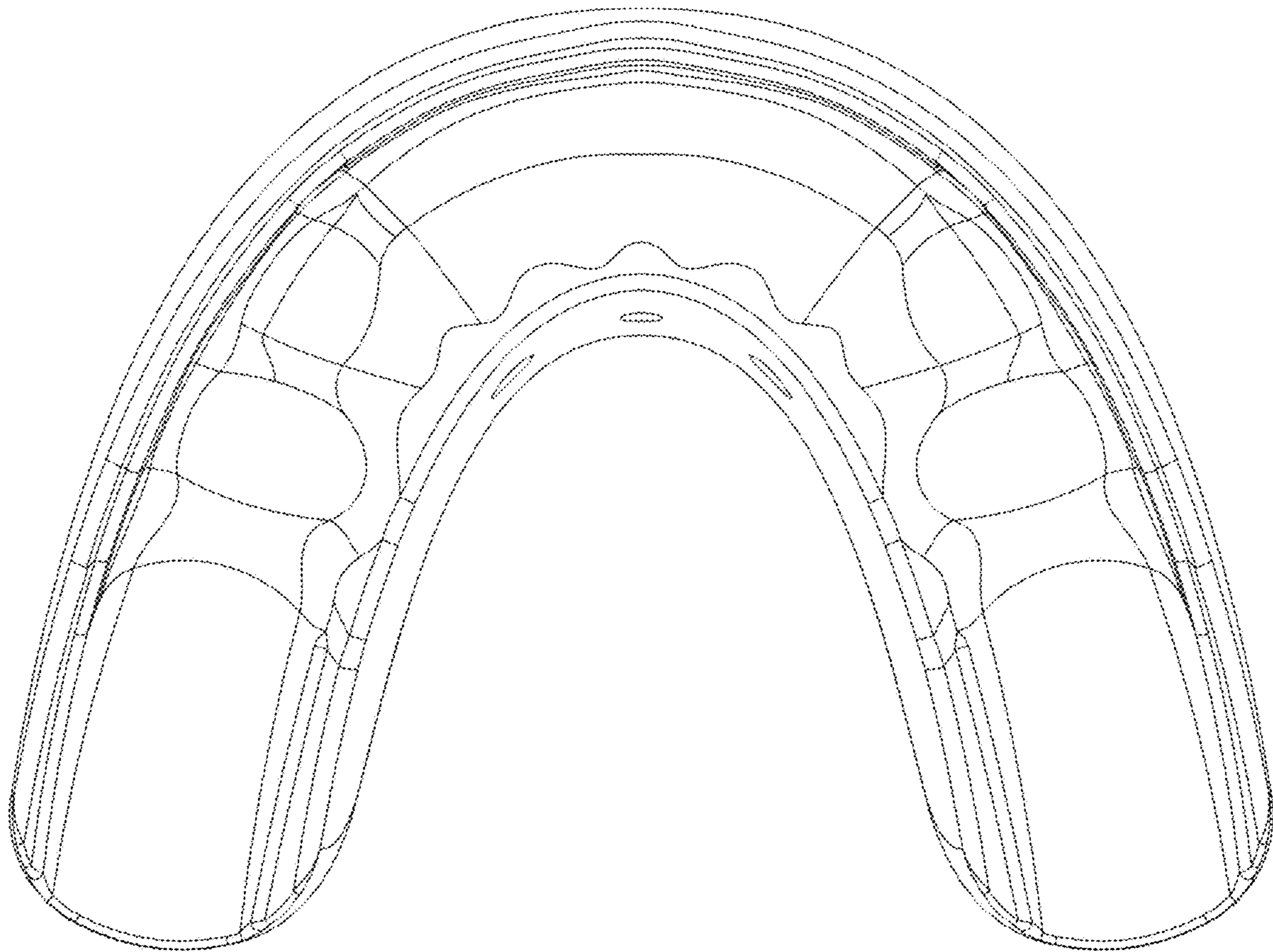
2.4



2.5



2.6



2.7

