



US00D790067S

(12) **United States Design Patent** (10) **Patent No.:** **US D790,067 S**
Kerins et al. (45) **Date of Patent:** **** Jun. 20, 2017**

(54) **TUBE ISOTROPIC DIFFUSION PHANTOM**
(71) Applicants: **Fergal Kerins**, Toronto (CA); **Bryan Donald Bartle**, Toronto (CA)
(72) Inventors: **Fergal Kerins**, Toronto (CA); **Bryan Donald Bartle**, Toronto (CA)
(73) Assignee: **SYNAPTIVE MEDICAL (BARBADOS) INC.**, Bridgetown (BB)
(**) Term: **15 Years**
(21) Appl. No.: **29/569,322**
(22) Filed: **Jun. 27, 2016**
(51) **LOC (10) Cl.** **24-01**
(52) **U.S. Cl.**
USPC **D24/158**
(58) **Field of Classification Search**
USPC D24/158–161, 186, 231, 140; D10/75
CPC A61B 6/583; G01R 33/426; G01R 33/58;
G01R 33/583; G01R 33/56341
See application file for complete search history.

(56) **References Cited**

U.S. PATENT DOCUMENTS

4,692,704 A * 9/1987 Gray G01R 33/58
324/300
4,818,943 A * 4/1989 Chandra G01R 33/58
324/307
4,888,555 A * 12/1989 Vaughan G01R 33/58
324/300
D340,655 S * 10/1993 Rao D10/75
5,698,979 A * 12/1997 Taicher G01N 24/081
324/300
D439,498 S * 3/2001 Hennig D24/140
7,056,019 B1 * 6/2006 Hanson A61B 6/583
378/18
2002/0178845 A1 * 12/2002 Jaszczak G09B 23/28
73/866.4

2006/0195030 A1 * 8/2006 OGREZEANU A61B 5/055
600/416
2007/0069725 A1 * 3/2007 KREIBICH G01R 33/583
324/307
2008/0284437 A1 * 11/2008 YOO G01R 33/56341
324/318
2010/0013482 A1 * 1/2010 BALDO G01R 33/58
324/318
2011/0229055 A1 * 9/2011 CLARKE A61B 6/583
382/287
2013/0104678 A1 * 5/2013 NI G09B 23/286
73/866.4
2015/0323639 A1 * 11/2015 BOSS G01R 33/58
600/416
2016/0282439 A1 * 9/2016 CHOE G01R 33/58

* cited by examiner

Primary Examiner — Anhdao Doan

(74) Attorney, Agent, or Firm — Perry + Currier Inc.

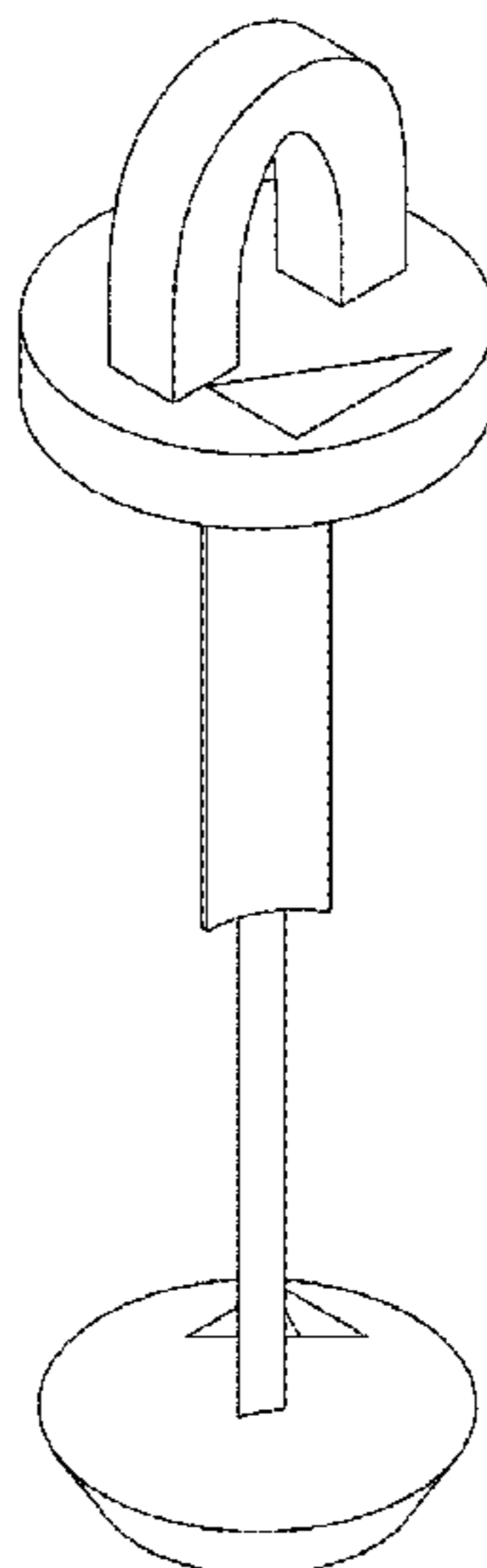
(57) **CLAIM**

We claim the ornamental design for a tube isotropic diffusion phantom, as shown and described.

DESCRIPTION

FIG. 1 is a front perspective view of a tube isotropic diffusion phantom;
FIG. 2 is a front elevational view thereof;
FIG. 3 is a right elevational view thereof;
FIG. 4 is a top plan view thereof;
FIG. 5 is a bottom plan view thereof;
FIG. 6 is a cutout of a right elevational view thereof within a Falcon tube;
FIG. 7 is a cutout of a front perspective view thereof within a Falcon tube; and,
FIG. 8 is an exploded front perspective view thereof and a Falcon tube.
In the drawings, the broken lines depict environmental subject matter only and form no part of the claimed design.

1 Claim, 8 Drawing Sheets



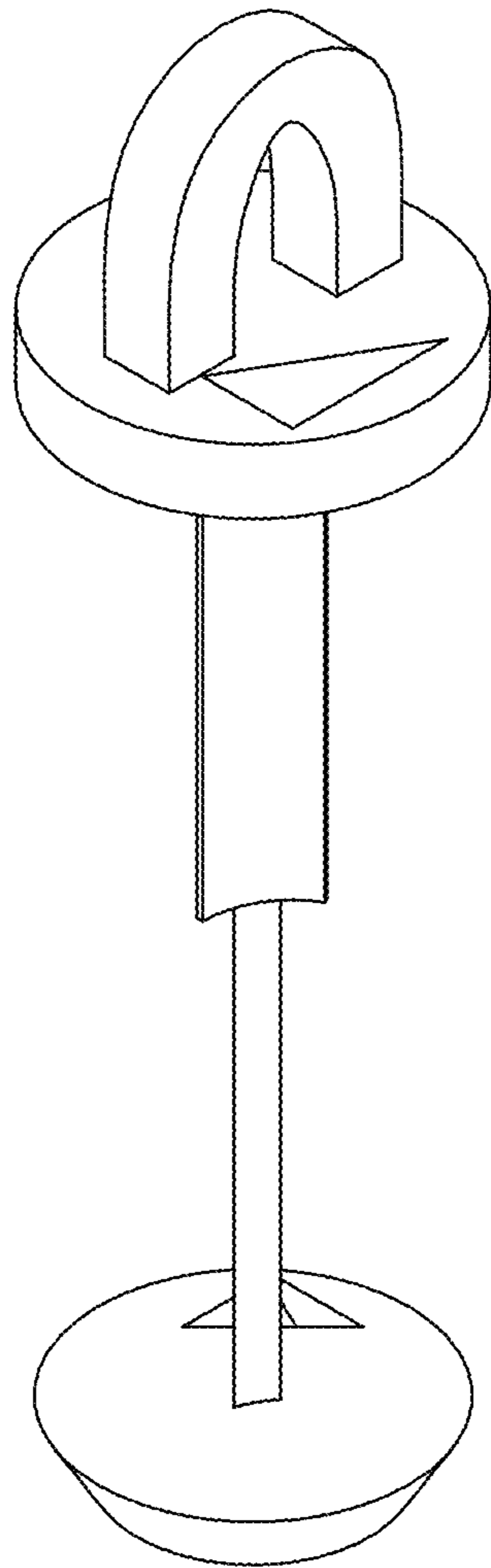


FIG. 1

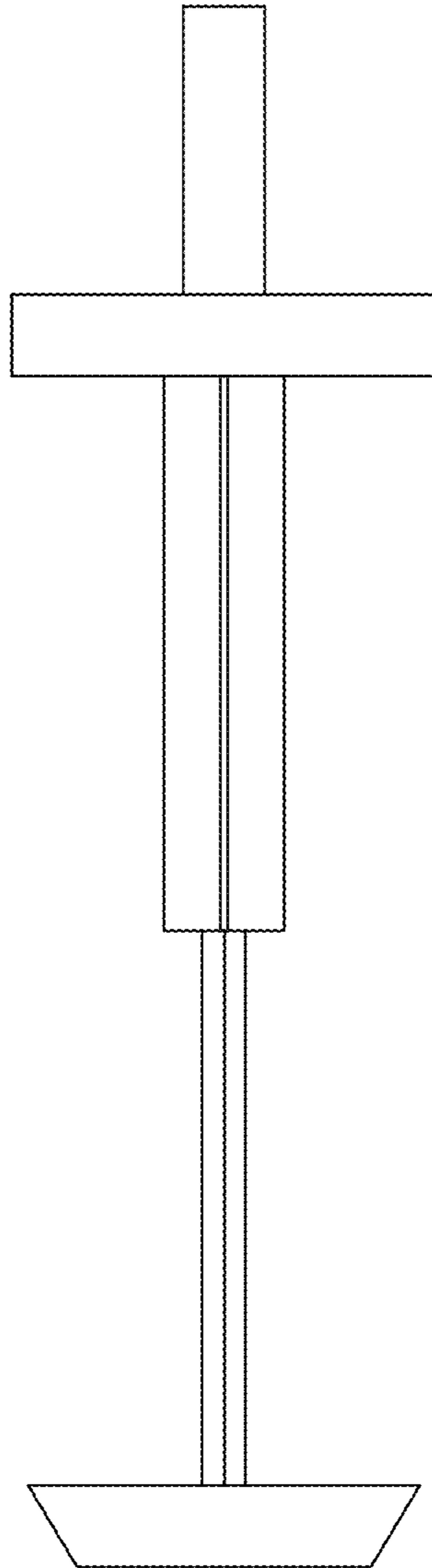


FIG. 2

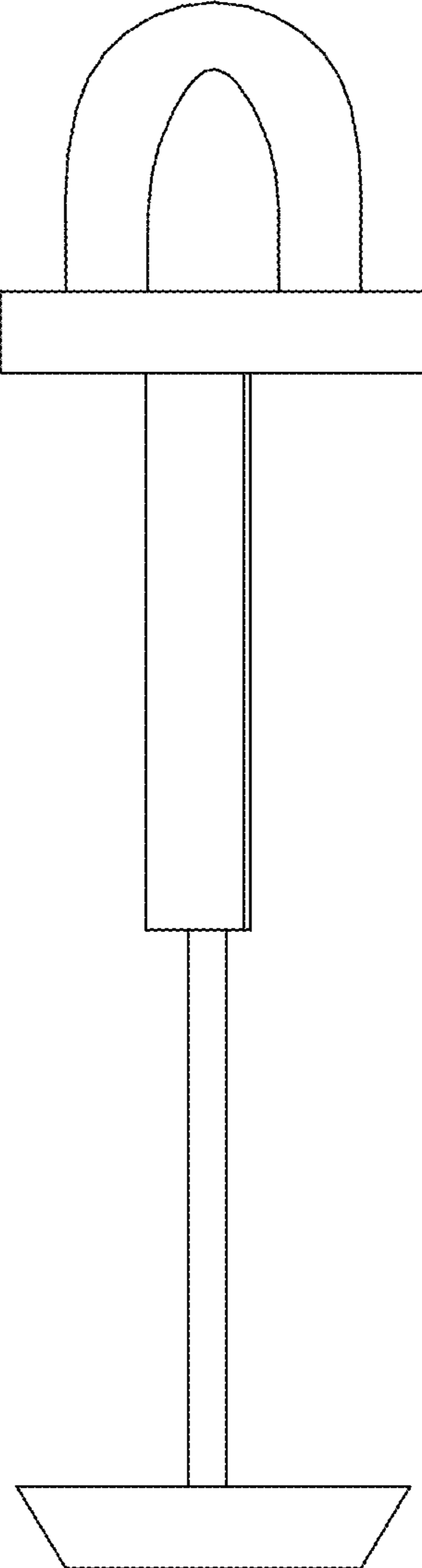


FIG. 3

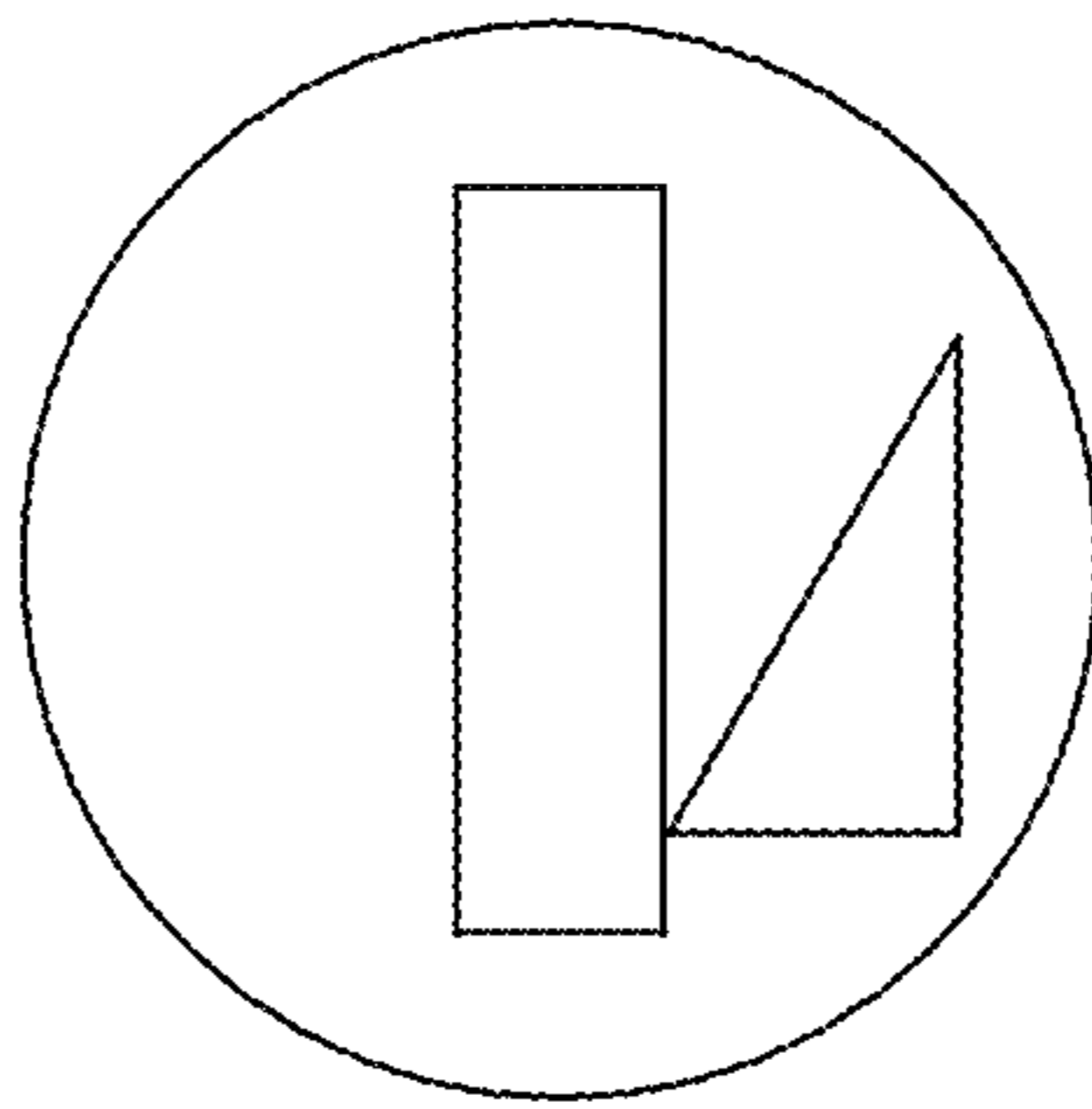


FIG. 4

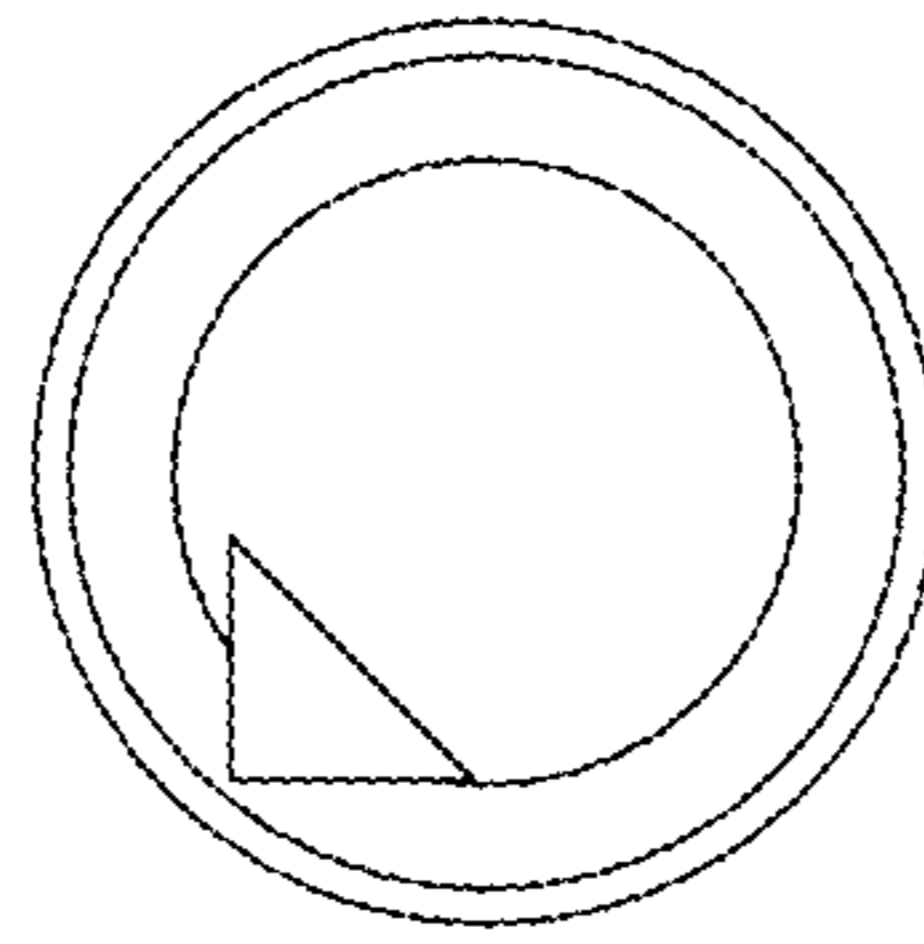


FIG. 5

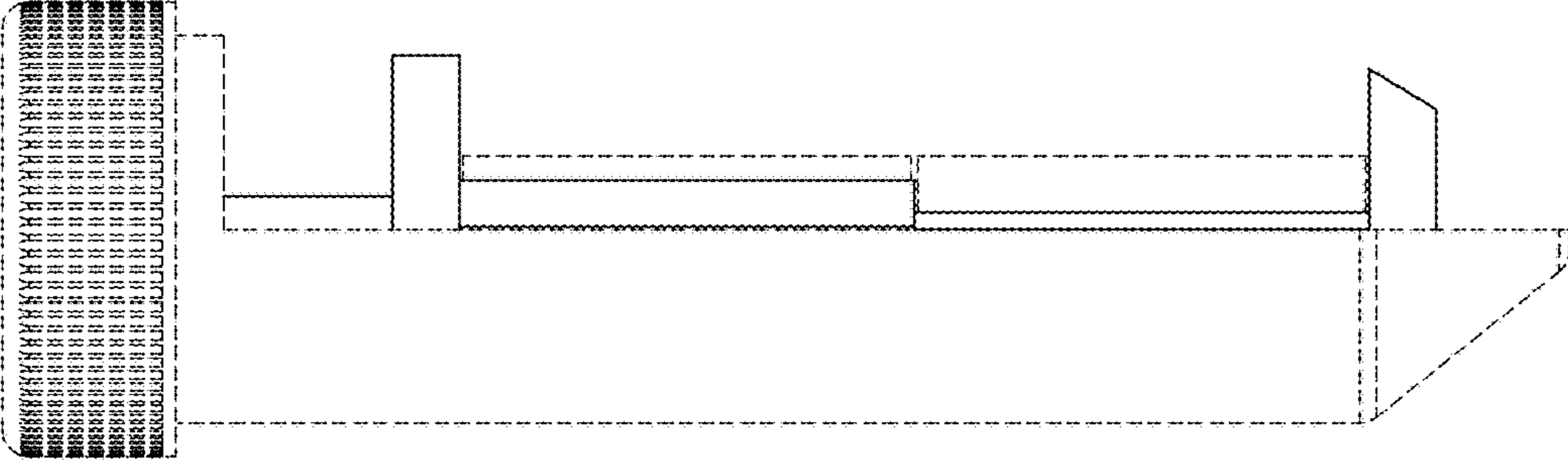


FIG. 6

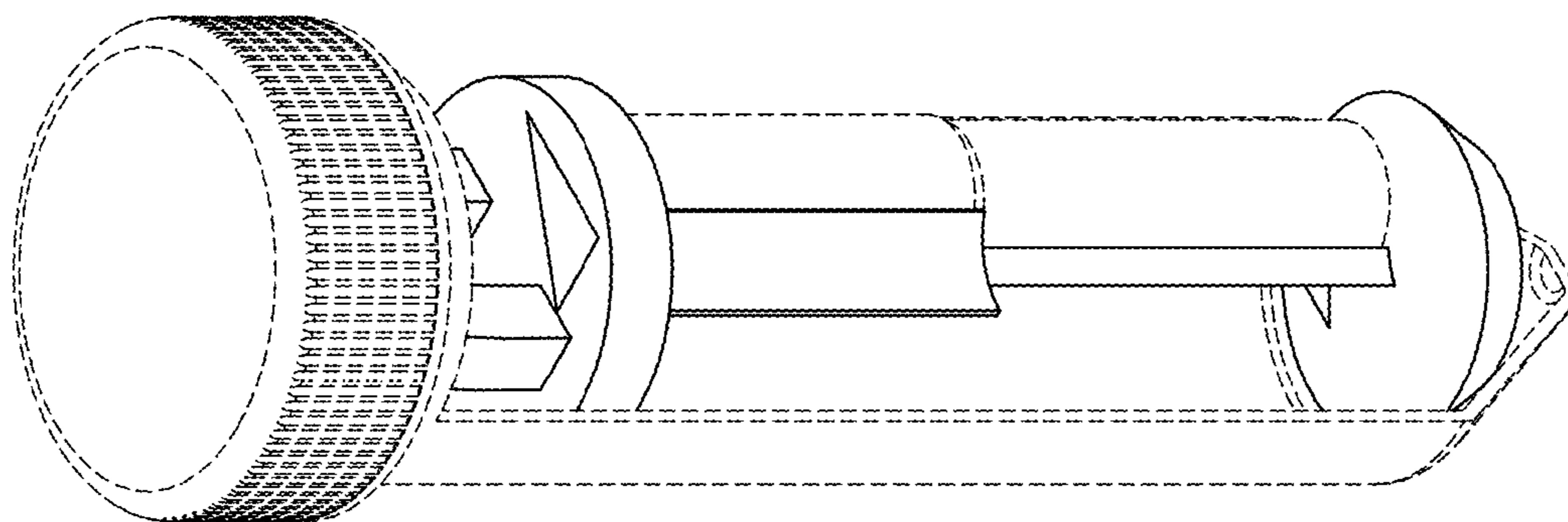


FIG. 7

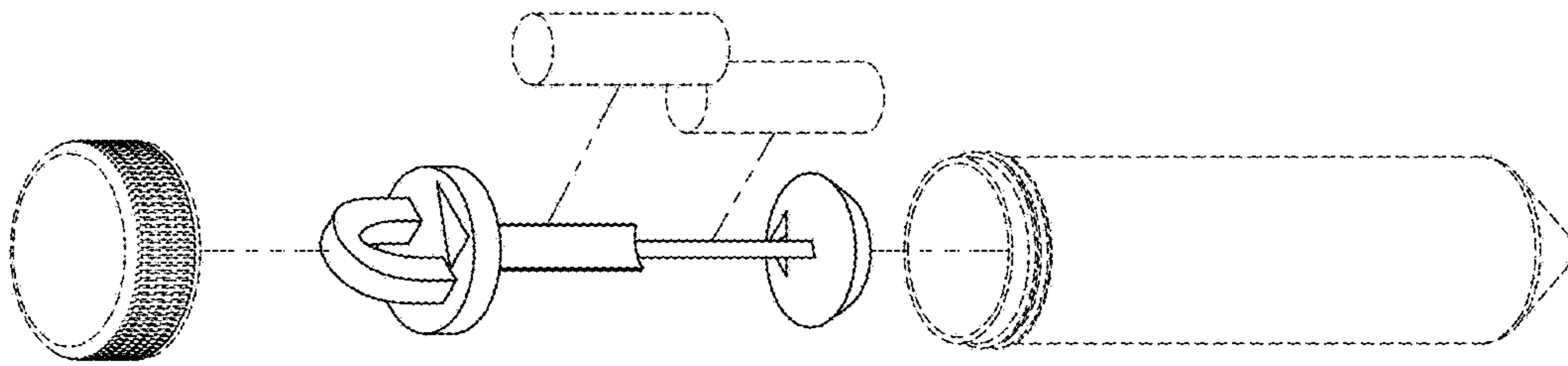


FIG. 8