



US00D790066S

(12) **United States Design Patent** (10) **Patent No.:** **US D790,066 S**
Lei (45) **Date of Patent:** **** Jun. 20, 2017**

(54) **RADIOFREQUENCY AND ULTRASOUND TREATMENT APPARATUS**

D735,868 S * 8/2015 Mareguddi D24/185
D752,231 S * 3/2016 Halter D24/185
2014/0117635 A1* 5/2014 Ninomiya A61B 8/4405
280/35

(71) Applicant: **Chongqing Peninsula Medical Technology Co., Ltd.**, Chongqing (CN)

* cited by examiner

(72) Inventor: **Xiaobing Lei**, Chongqing (CN)

Primary Examiner — Anhdao Doan

(73) Assignee: **Chongqing Peninsula Medical Technology Co., Ltd.**, Chongqing (CN)

(74) *Attorney, Agent, or Firm* — Syncoda LLC; Feng Ma; Junjie Feng

(**) Term: **15 Years**

(57) **CLAIM**

(21) Appl. No.: **29/549,597**

The ornamental design for a radiofrequency and ultrasound treatment apparatus, substantially as shown and described.

(22) Filed: **Dec. 27, 2015**

DESCRIPTION

(51) **LOC (10) Cl.** **24-01**

(52) **U.S. Cl.**
USPC **D24/158**

(58) **Field of Classification Search**
USPC D24/158–161, 185, 186, 107, 209;
D28/9

CPC ... A61B 6/4405; A61B 6/4411; A61B 6/4435;
A61B 6/4441; A61B 6/4447; A61B
8/4405; A61B 8/4411; A61B 8/4427;
A61B 8/462; A61B 8/0437; A61B 8/0883

See application file for complete search history.

The patent or application file contains at least one drawing executed in color. Copies of this patent or patent application publication with color drawing(s) will be provided by the Office upon request and payment of the necessary fee.

FIG. 1 is a front view of a radiofrequency and ultrasound treatment apparatus according to one embodiment of the disclosure;

FIG. 2 is a rear view of the radiofrequency and ultrasound treatment apparatus;

FIG. 3 is a left side view of the radiofrequency and ultrasound treatment apparatus;

FIG. 4 is a right side view of the radiofrequency and ultrasound treatment apparatus;

FIG. 5 is a top view of the radiofrequency and ultrasound treatment apparatus; and,

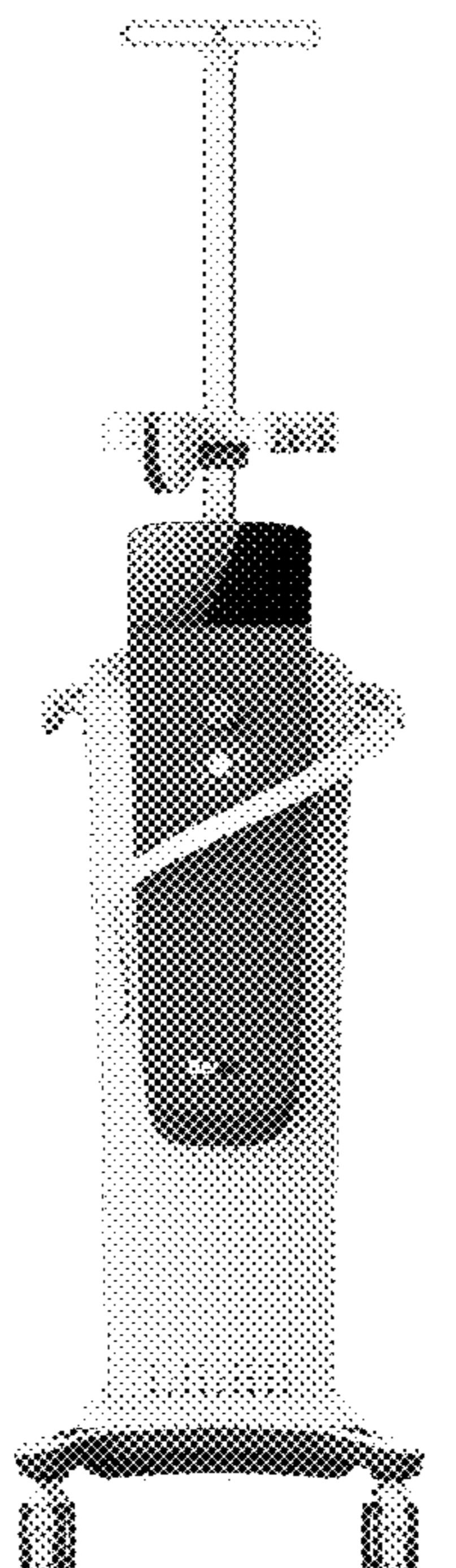
FIG. 6 is a bottom view of the radiofrequency and ultrasound treatment apparatus.

(56) **References Cited**

U.S. PATENT DOCUMENTS

D448,522 S * 9/2001 Minami D28/9
D561,342 S * 2/2008 Zimmer D24/185
D708,748 S * 7/2014 Lei D24/158
D712,042 S * 8/2014 Chung D24/185
D733,891 S * 7/2015 Murray D24/185
D735,866 S * 8/2015 Assa D24/185

1 Claim, 6 Drawing Sheets
(4 of 6 Drawing Sheet(s) Filed in Color)



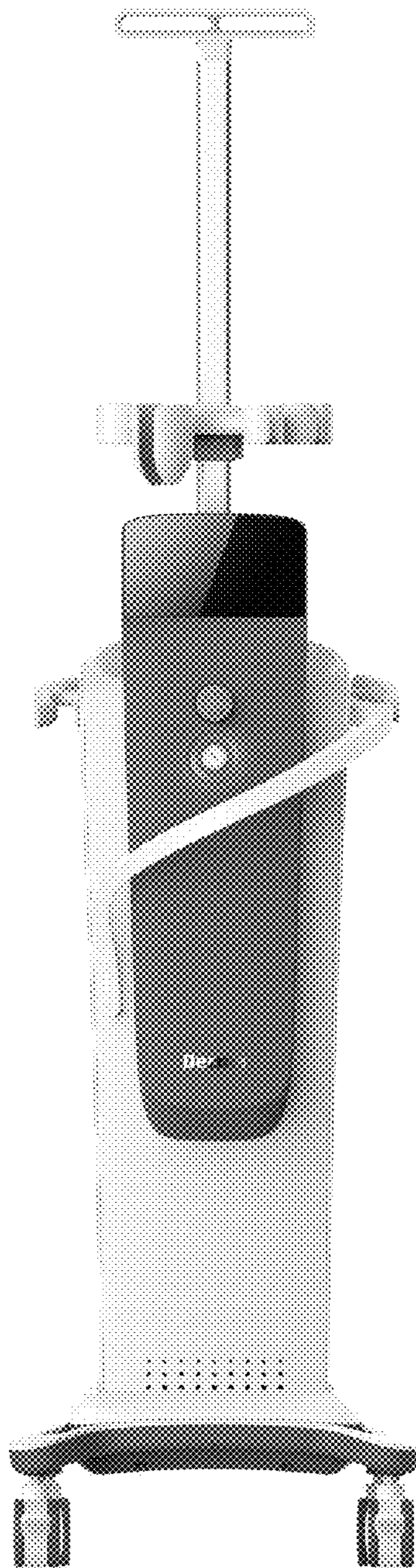


FIG. 1

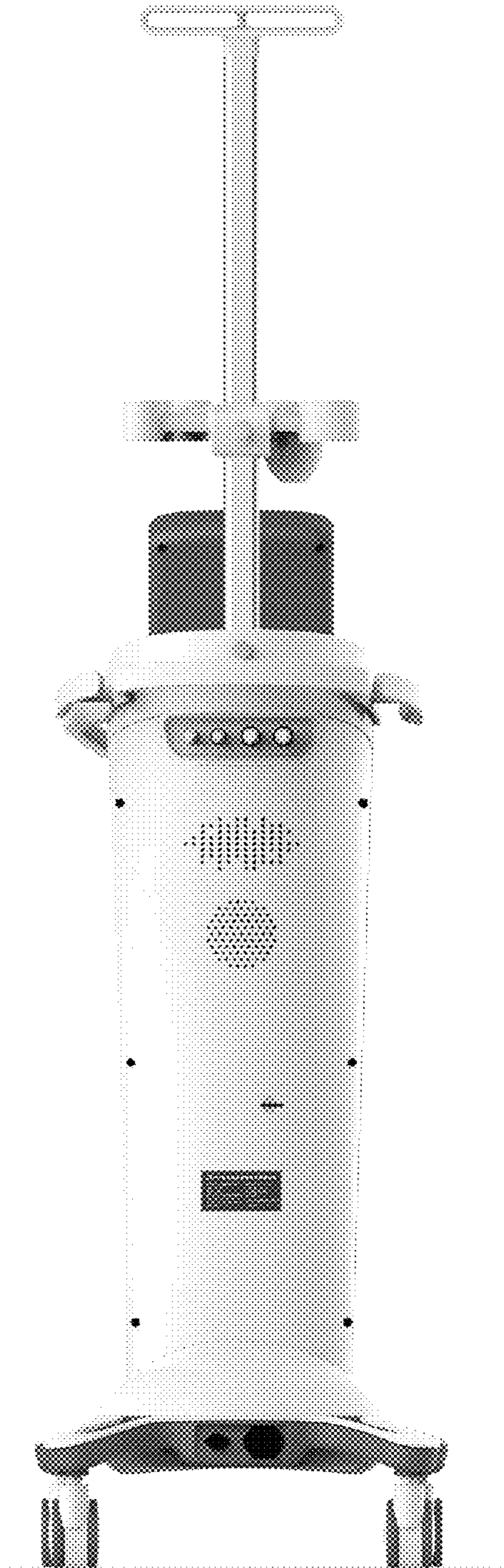


FIG. 2

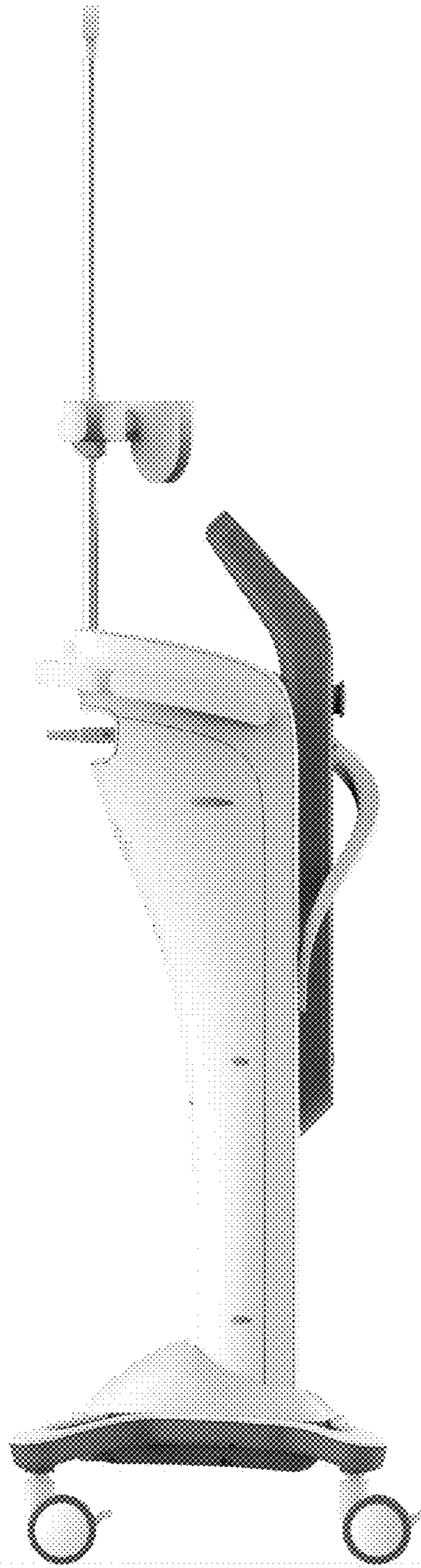


FIG. 3

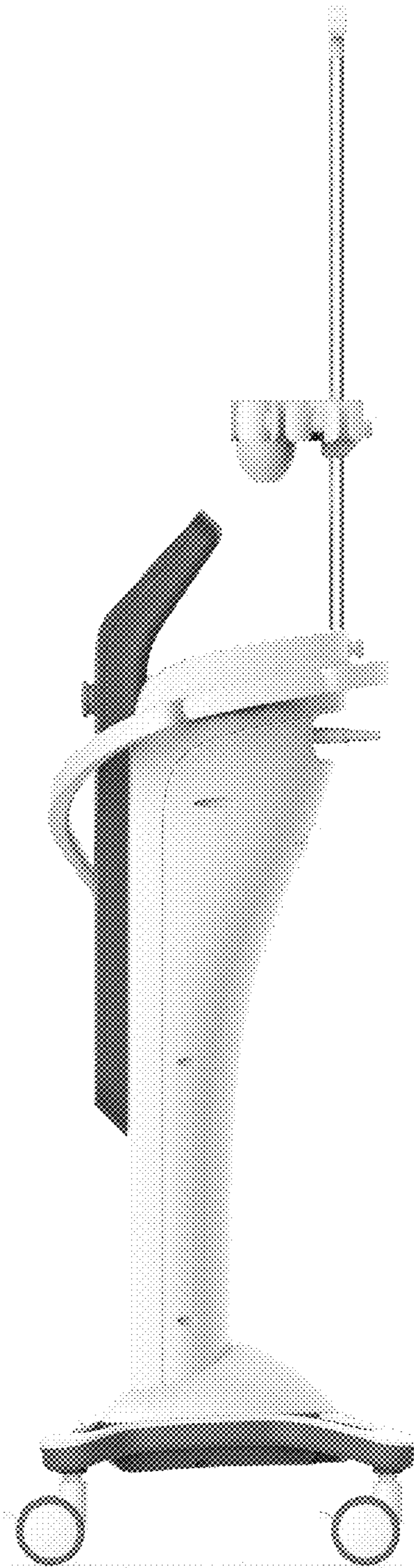


FIG. 4

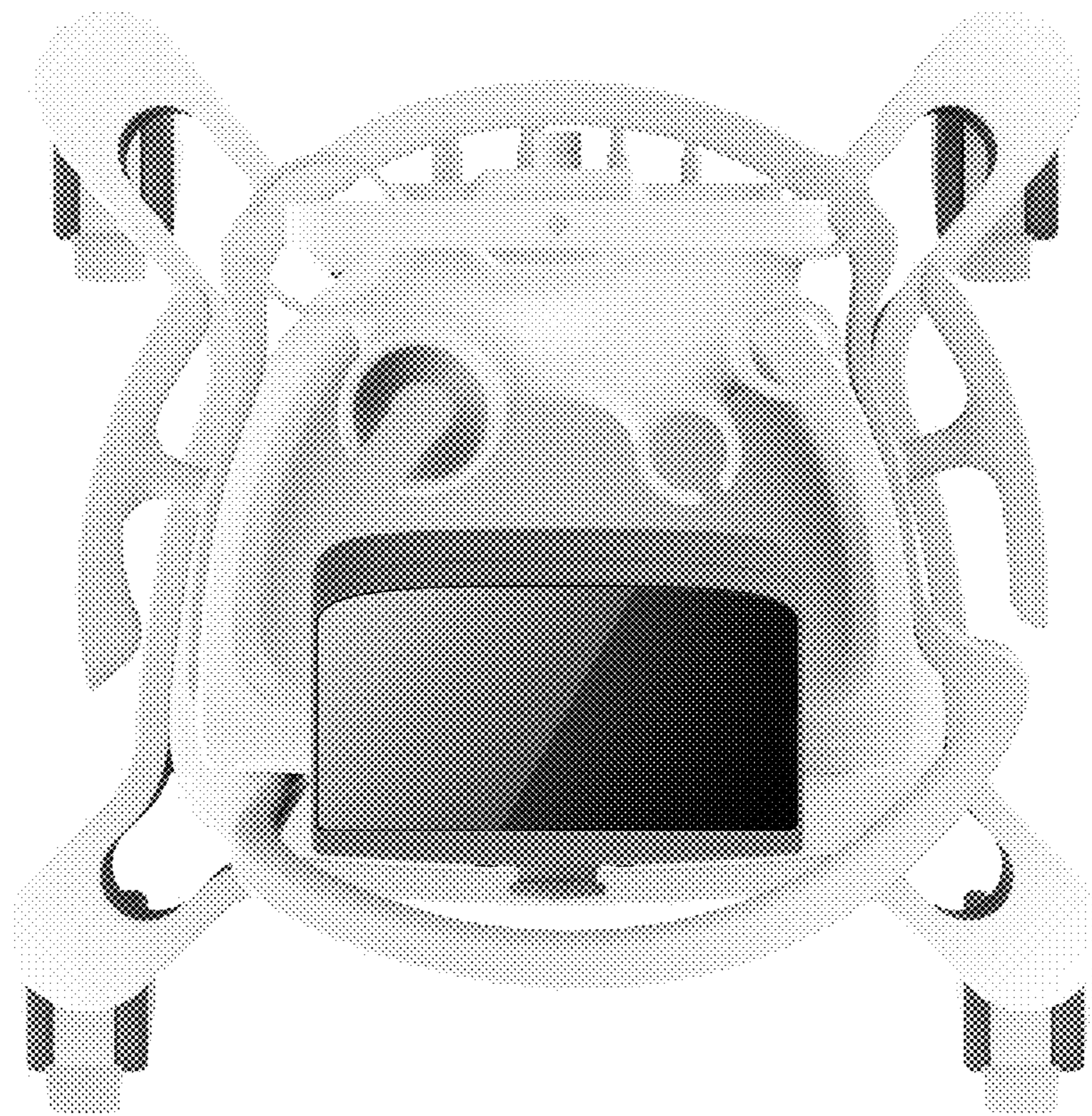


FIG. 5

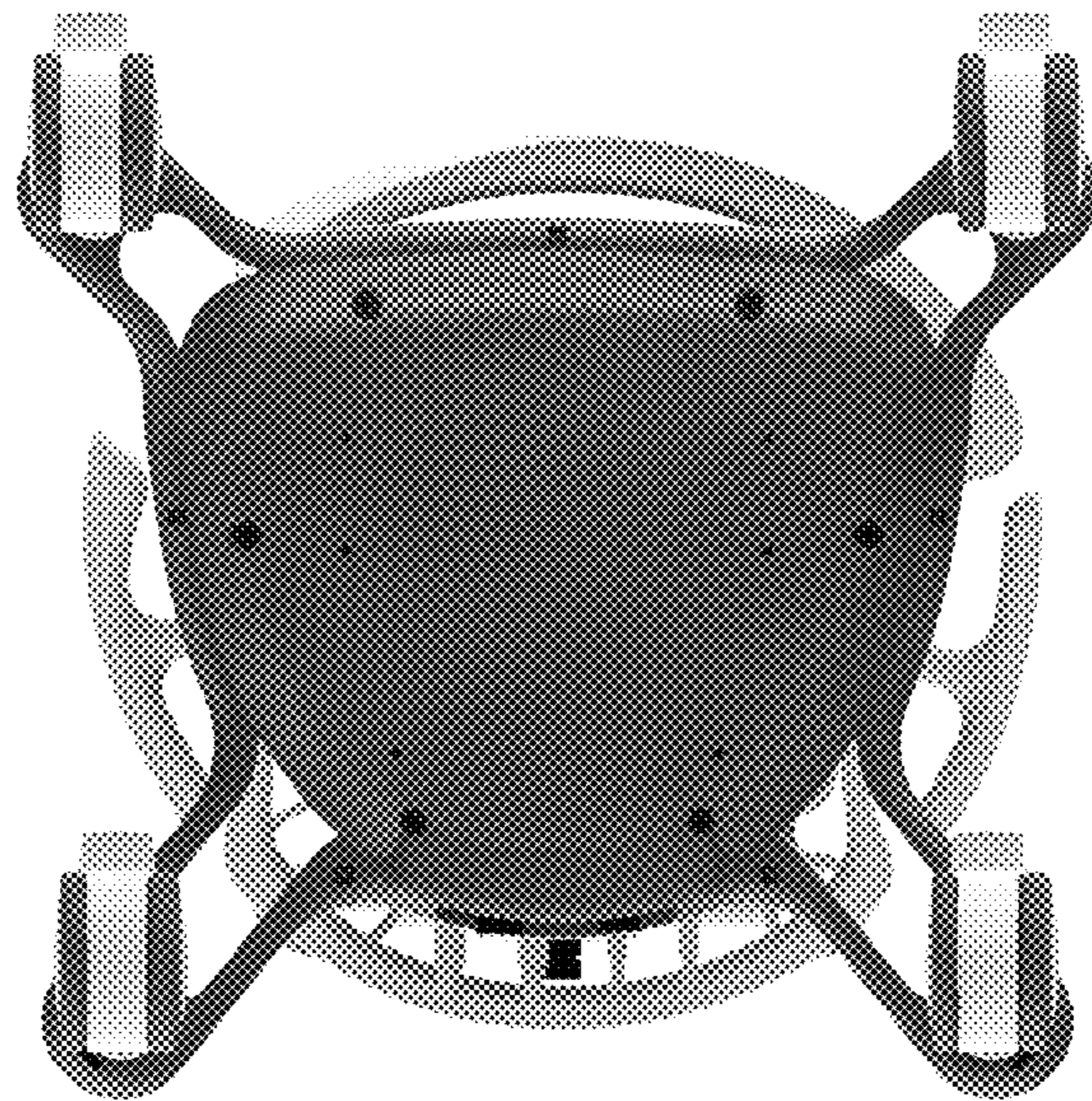


FIG. 6