



US00D790065S

(12) **United States Design Patent**  
**O'Connor et al.**

(10) **Patent No.:** **US D790,065 S**  
(45) **Date of Patent:** **\*\* Jun. 20, 2017**

(54) **PORTABLE MEDICAL DIAGNOSTIC APPARATUS**

**DESCRIPTION**

(71) Applicant: **QUANTUM IMAGING LIMITED,**  
Leeds (GB)

(72) Inventors: **Joseph O'Connor,** Maidenhead (GB);  
**David Kerr,** Reading (GB); **Allan Caple,** Swindon (GB)

(73) Assignee: **CREAVO MEDICAL TECHNOLOGIES LIMITED,** Leeds (GB)

(\*\*) Term: **15 Years**

(21) Appl. No.: **29/539,829**

(22) Filed: **Sep. 17, 2015**

(51) **LOC (10) Cl.** ..... **24-01**

(52) **U.S. Cl.**  
USPC ..... **D24/158; D24/186**

(58) **Field of Classification Search**  
USPC ..... **D24/158-161, 185, 186, 107**  
(Continued)

(56) **References Cited**

**U.S. PATENT DOCUMENTS**

D699,852 S \* 2/2014 Chung ..... D24/158  
D702,842 S \* 4/2014 Hyde ..... D24/185  
(Continued)

**FOREIGN PATENT DOCUMENTS**

WO 2014006387 1/2014

*Primary Examiner* — Anhdao Doan

(74) *Attorney, Agent, or Firm* — Vierra Magen Marcus LLP

(57) **CLAIM**

The ornamental design for a portable medical diagnostic apparatus, as shown and described.

FIG. 1 is a first side view of a portable medical diagnostic apparatus of the new design with a movable arm in a retracted position;

FIG. 2 is a second side view of the portable medical diagnostic apparatus of the new design with the movable arm in the retracted position;

FIG. 3 is a front view of the portable medical diagnostic apparatus of the new design with the movable arm in the retracted position;

FIG. 4 is a rear view of the portable medical diagnostic apparatus of the new design with the movable arm in the retracted position;

FIG. 5 is a top view of the portable medical diagnostic apparatus of the new design with the movable arm in the retracted position;

FIG. 6 is a bottom view of the portable medical diagnostic apparatus of the new design with the movable arm in the retracted position;

FIG. 7 is the first side view of the portable medical diagnostic apparatus of the new design with the movable arm in a deployed position;

FIG. 8 is the second side view of the portable medical diagnostic apparatus of the new design with the movable arm in the deployed position;

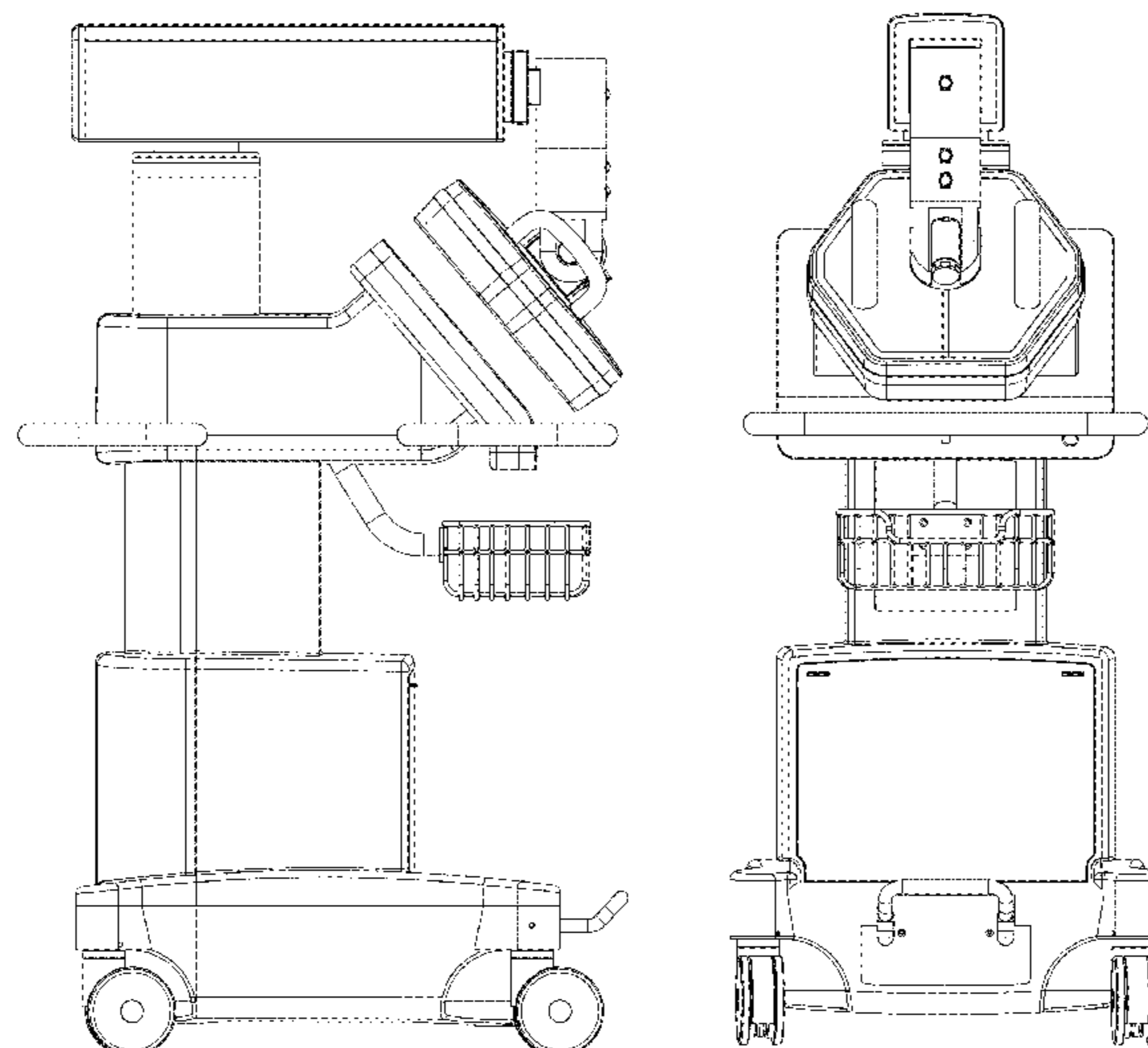
FIG. 9 is the front view of the portable medical diagnostic apparatus of the new design with the movable arm in the deployed position;

FIG. 10 is the rear view of the portable medical diagnostic apparatus of the new design with the movable arm in the deployed position;

FIG. 11 is the top view of the portable medical diagnostic apparatus of the new design with the movable arm in the deployed position; and,

FIG. 12 is the bottom view of the portable medical diagnostic apparatus of the new design with the movable arm in the deployed position.

**1 Claim, 12 Drawing Sheets**



(58) **Field of Classification Search**

CPC ... A61B 6/4405; A61B 6/4411; A61B 6/4435;  
A61B 6/4441; A61B 6/4447; A61B  
8/4405; A61B 8/4411; A61B 8/4427;  
A61B 8/462; A61B 8/0437; A61B 8/0883  
See application file for complete search history.

(56) **References Cited**

U.S. PATENT DOCUMENTS

D724,738	S	*	3/2015	Dorris	.....	D24/158
D743,558	S	*	11/2015	Kim	.....	D24/158
D769,446	S	*	10/2016	Liu	.....	D24/158
2007/0133753	A1	*	6/2007	Jakob	.....	A61B 6/4405 378/198
2007/0270694	A1	*	11/2007	Pelissier	.....	A61B 8/4405 600/443
2012/0148031	A1	*	6/2012	Eaves	.....	A61B 6/4405 378/198

\* cited by examiner

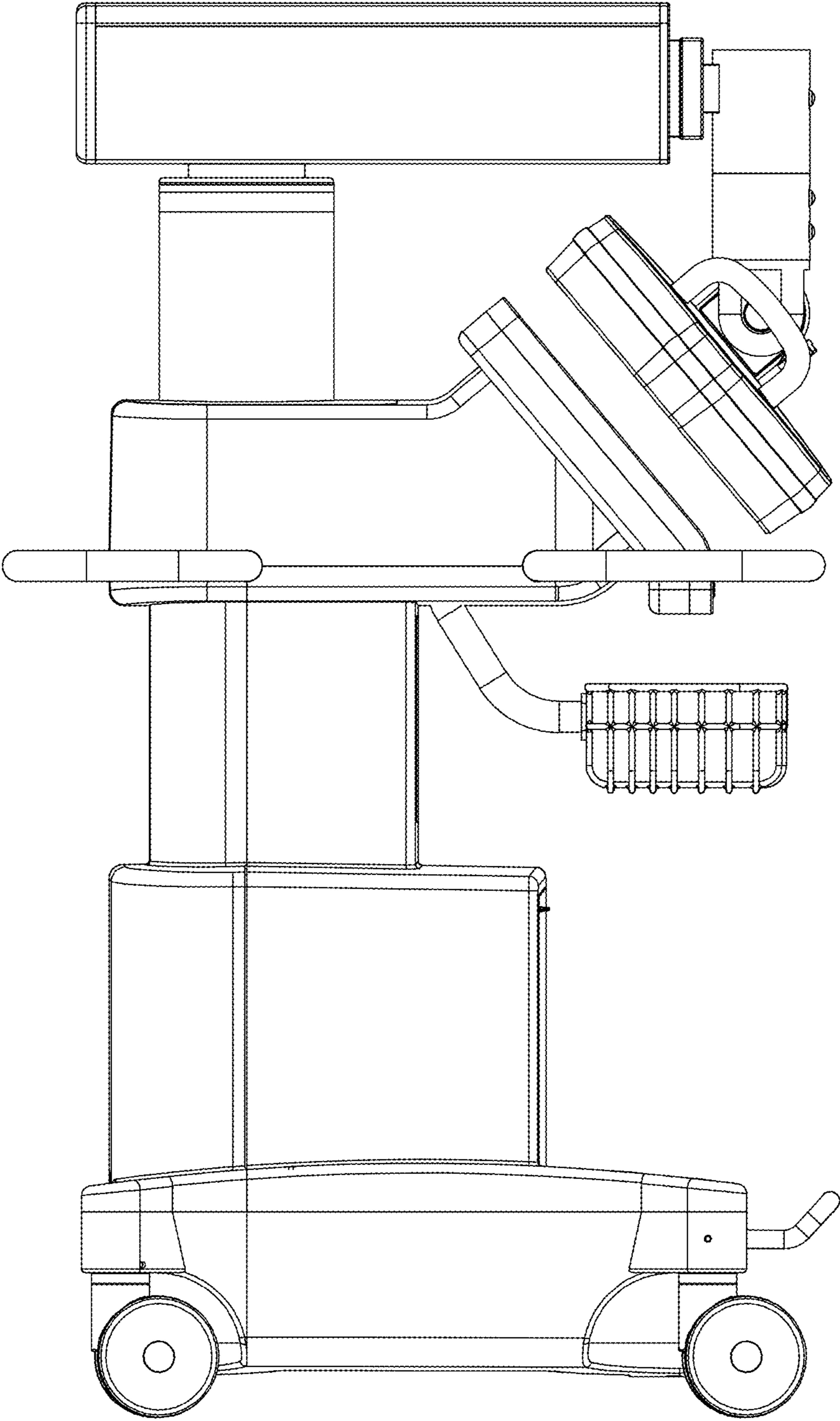


Figure 1

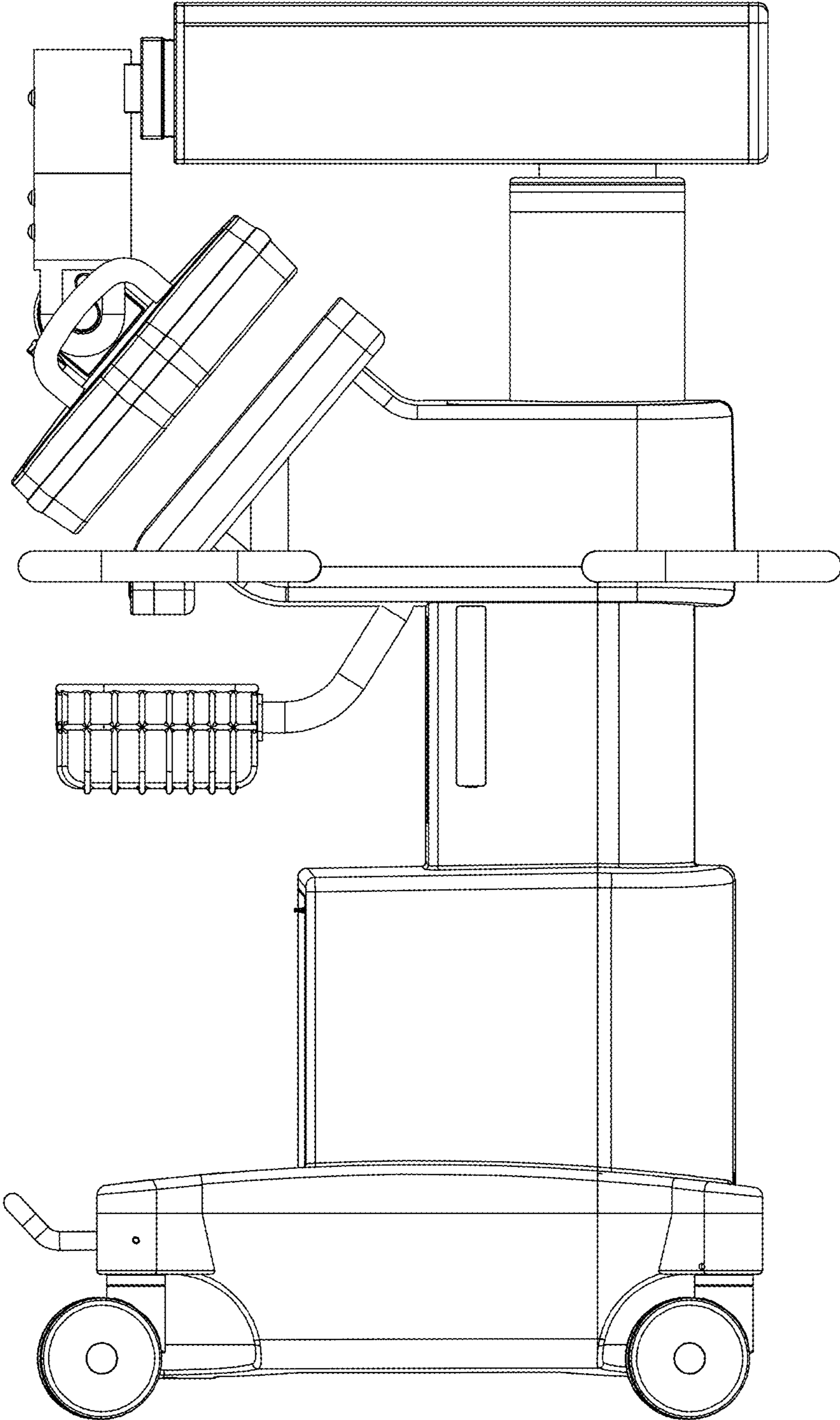


Figure 2

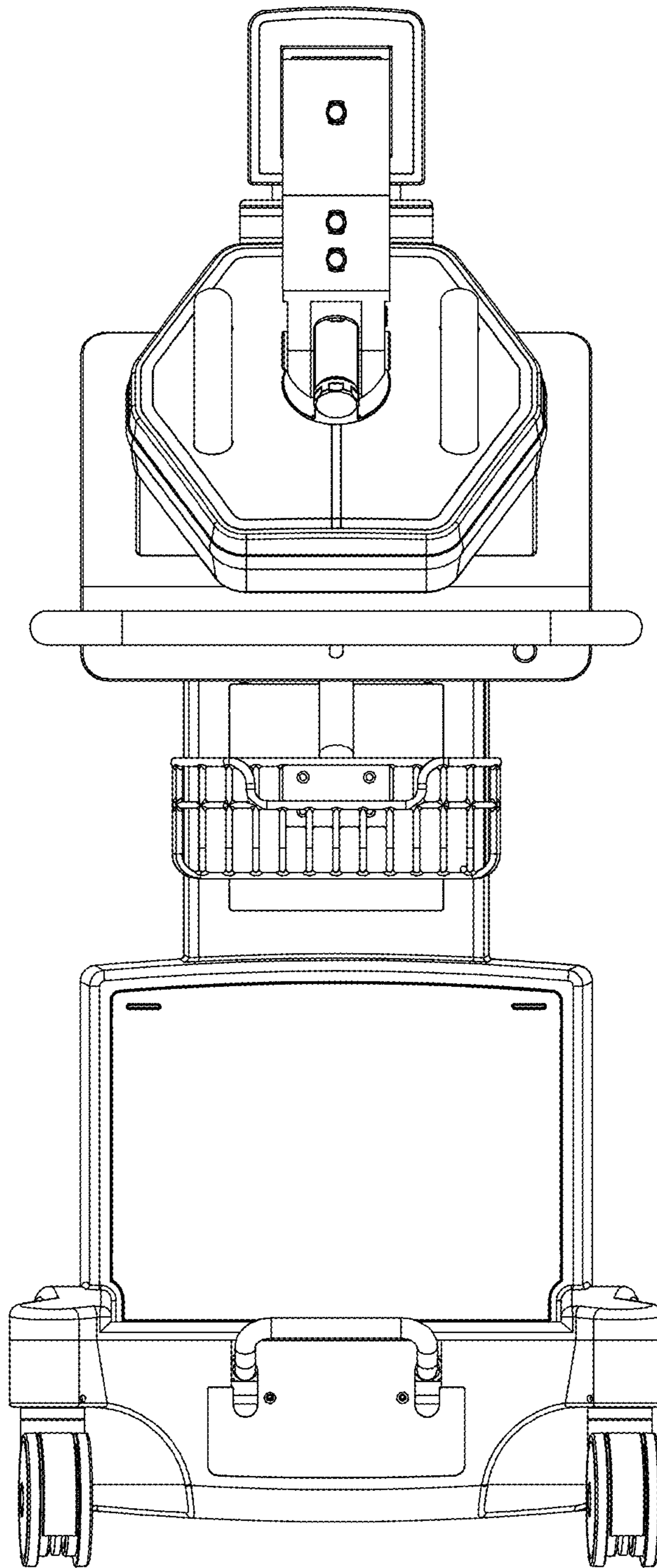


Figure 3

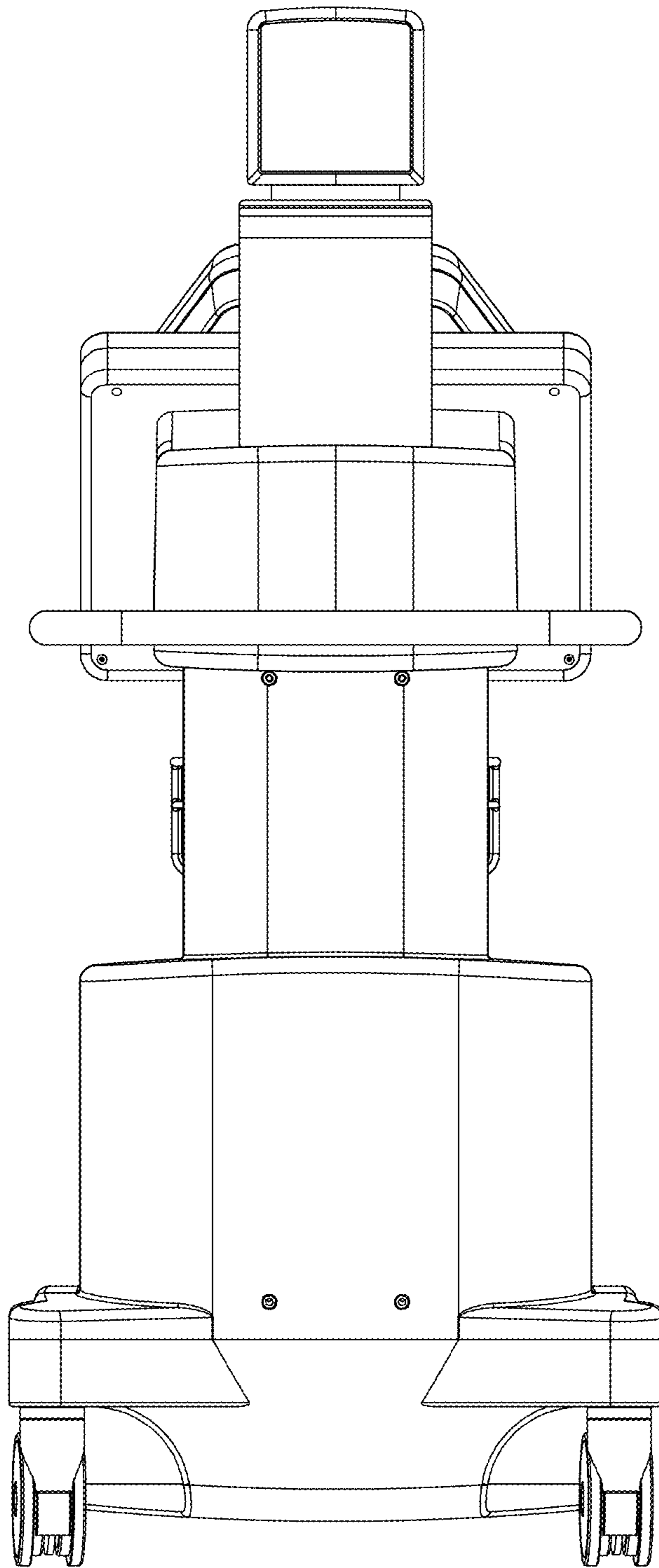


Figure 4

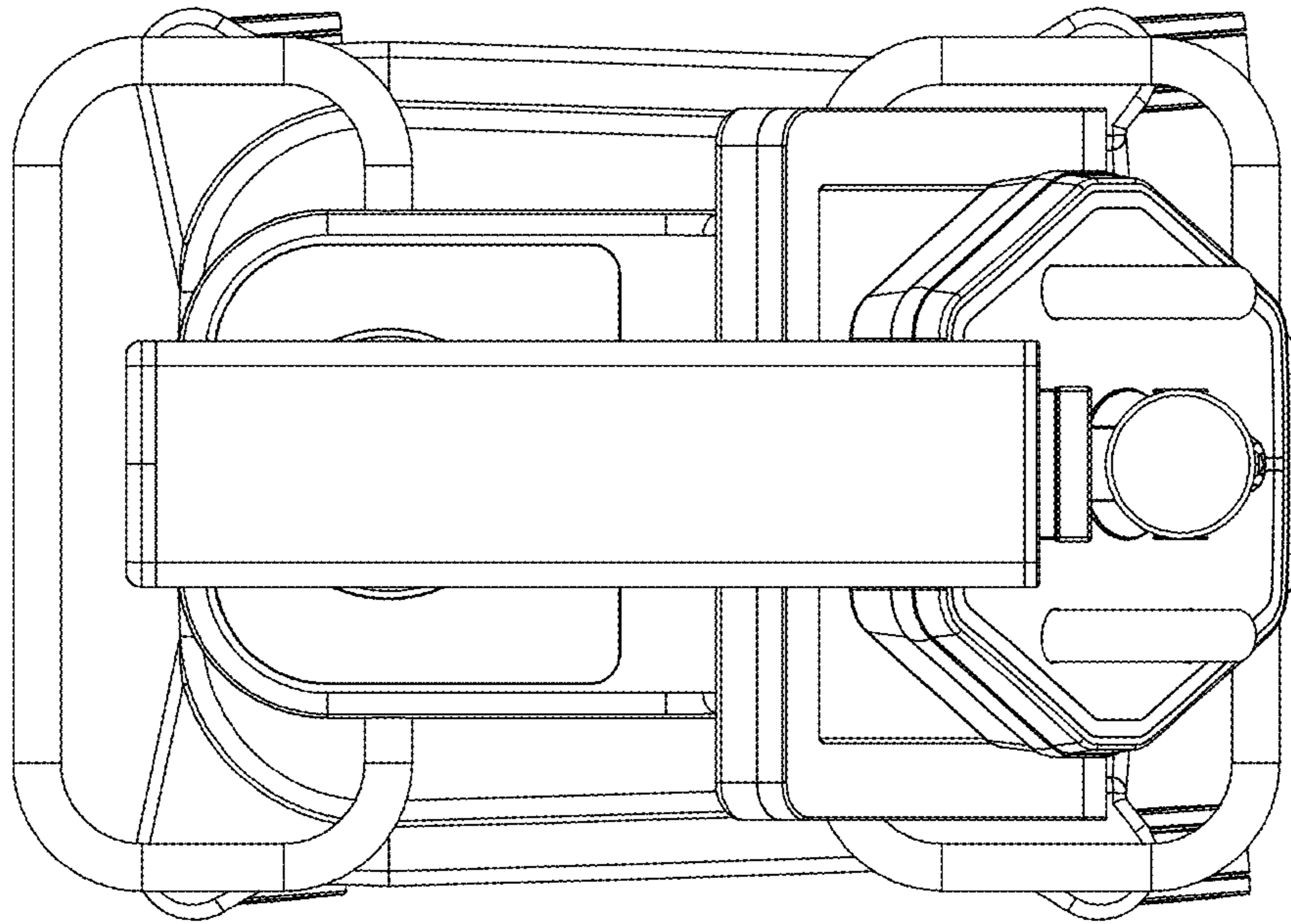


Figure 5

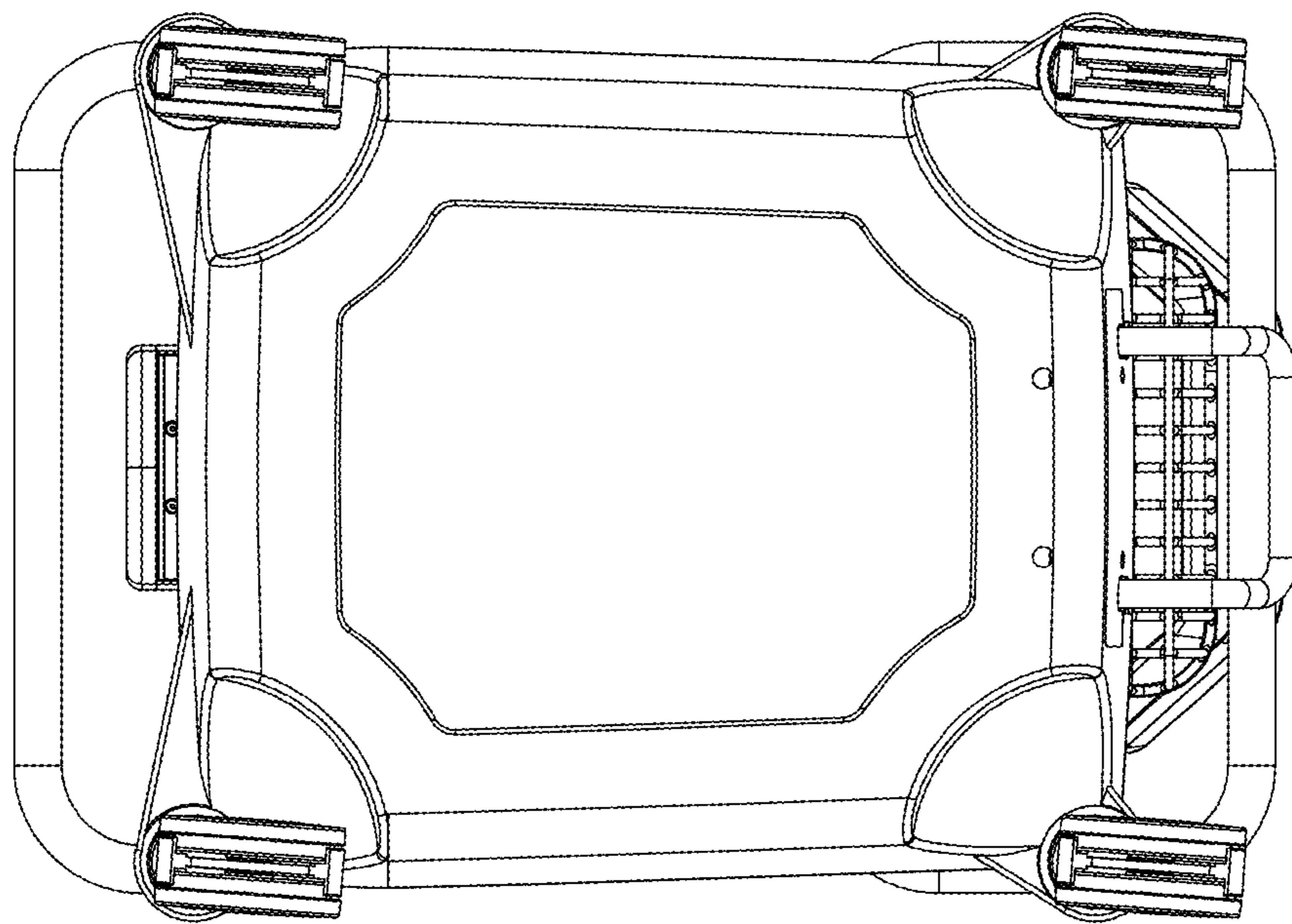


Figure 6



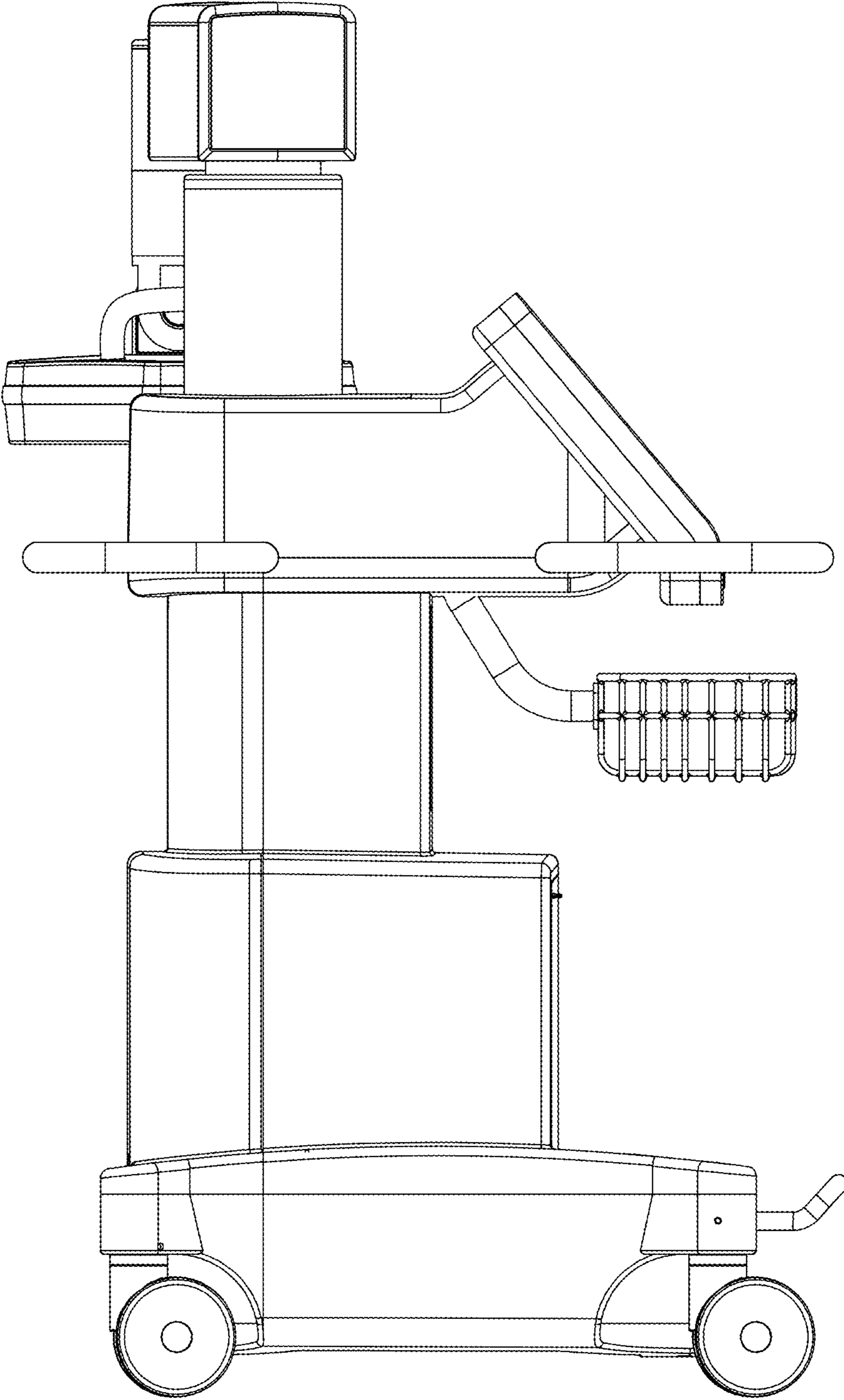


Figure 7

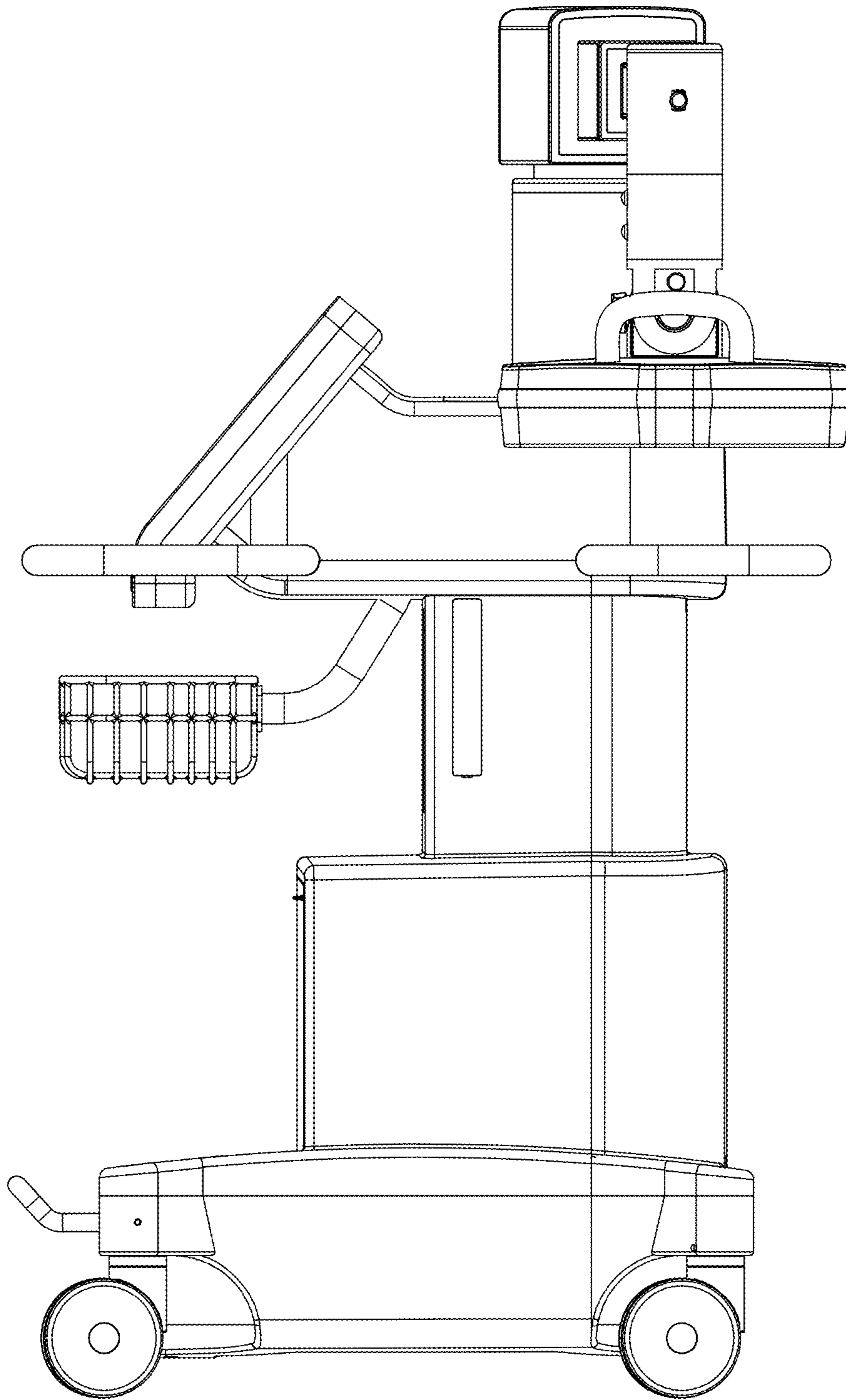


Figure 8

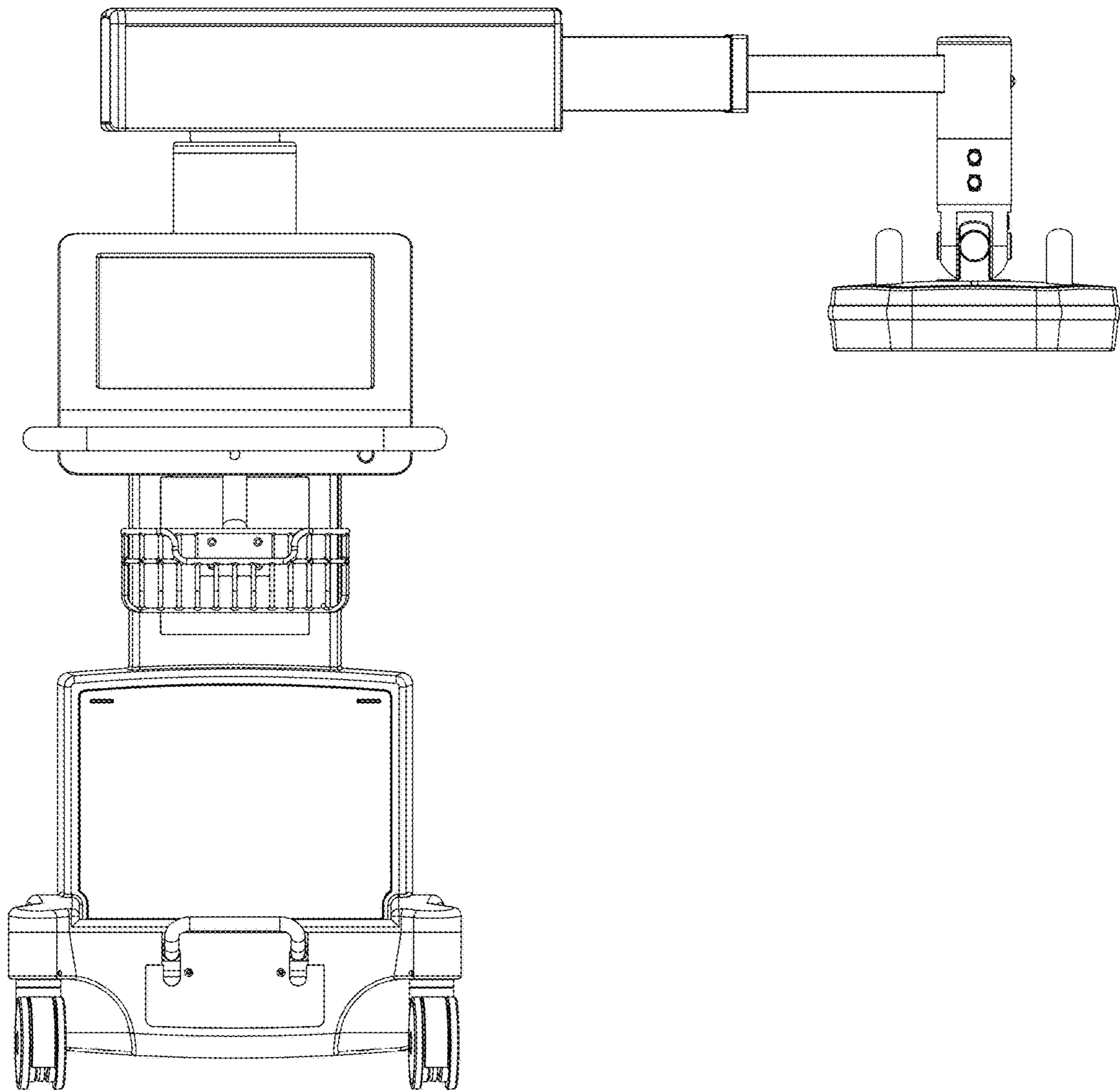


Figure 9

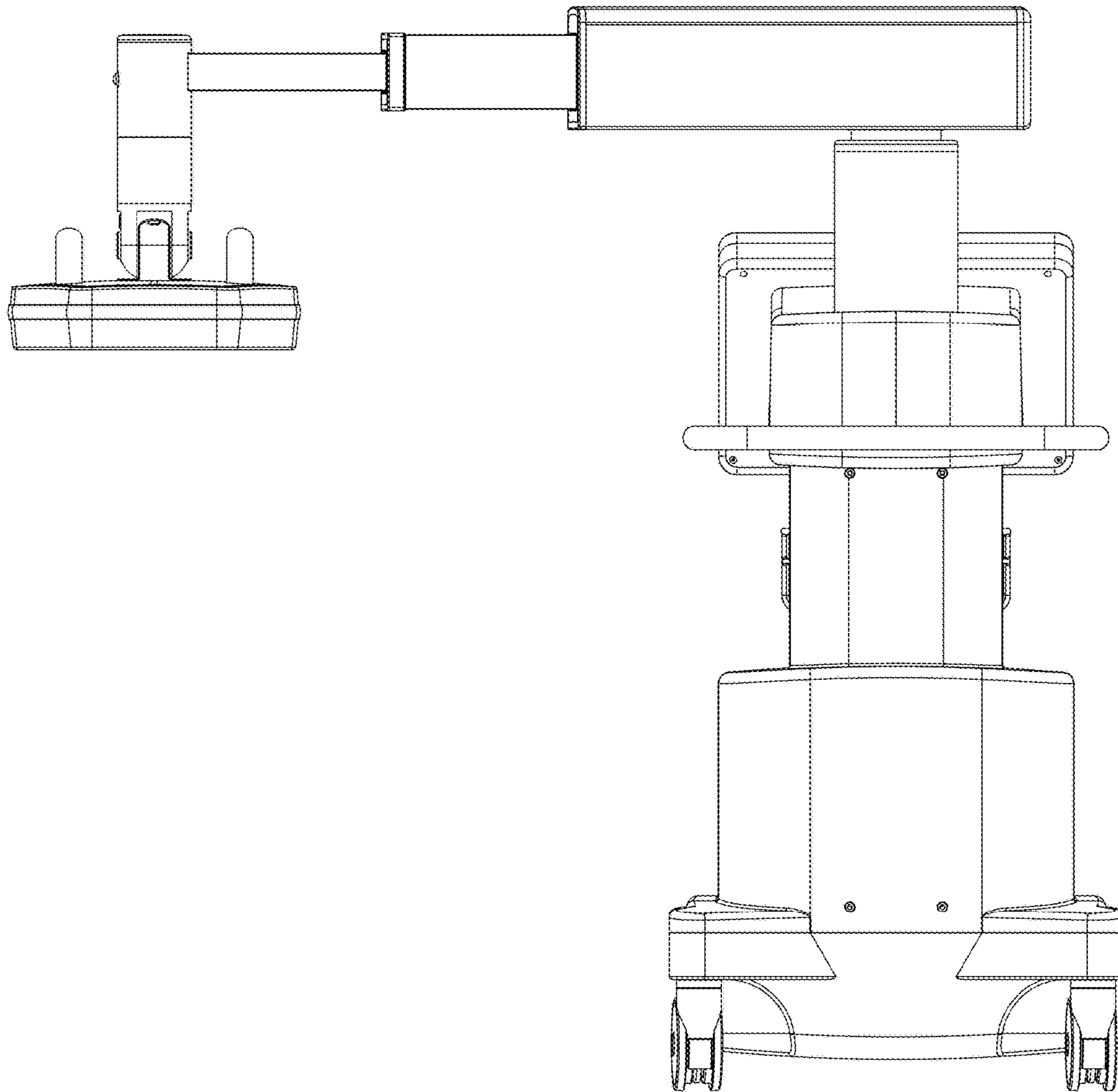


Figure 10

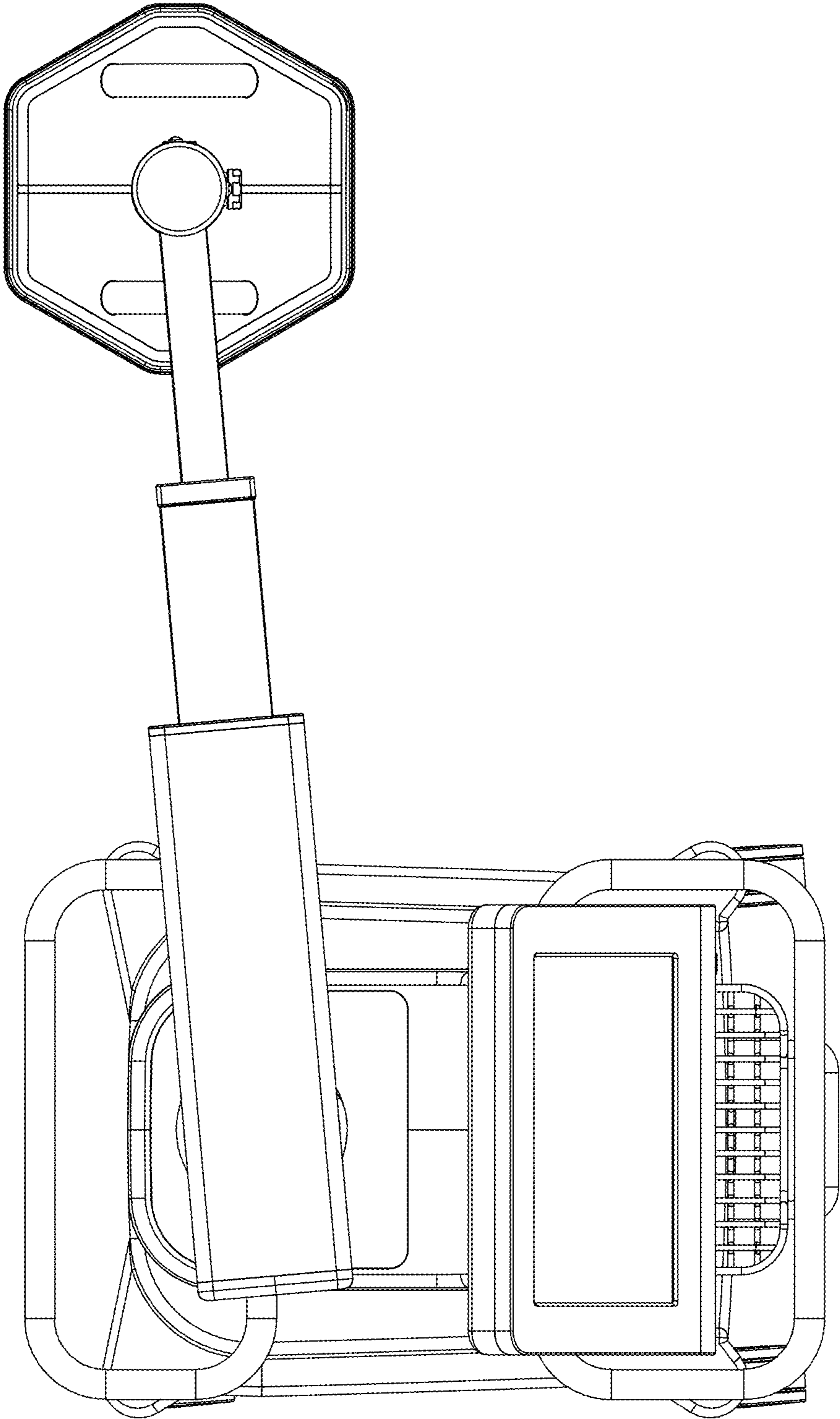


Figure 11

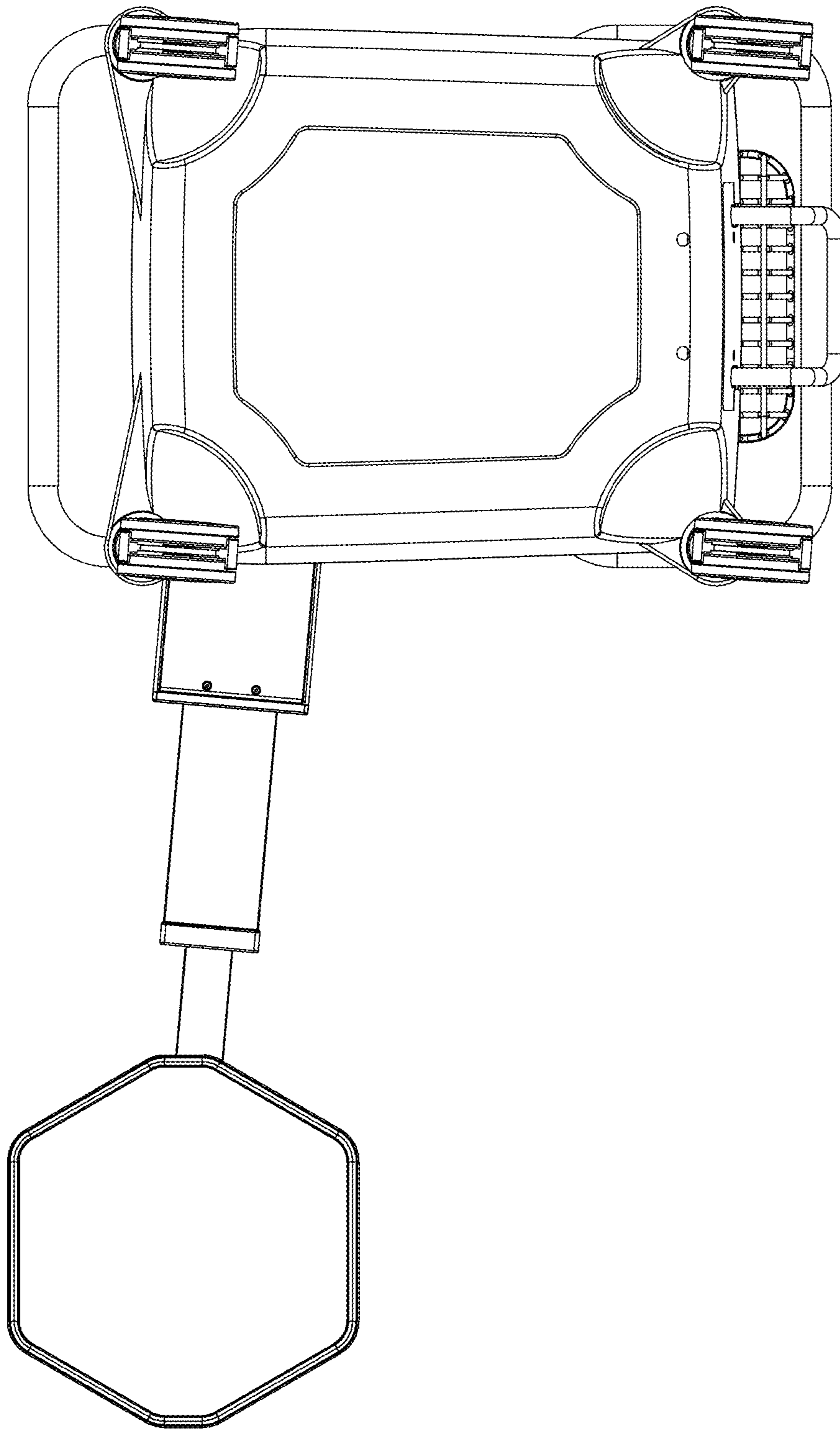


Figure 12